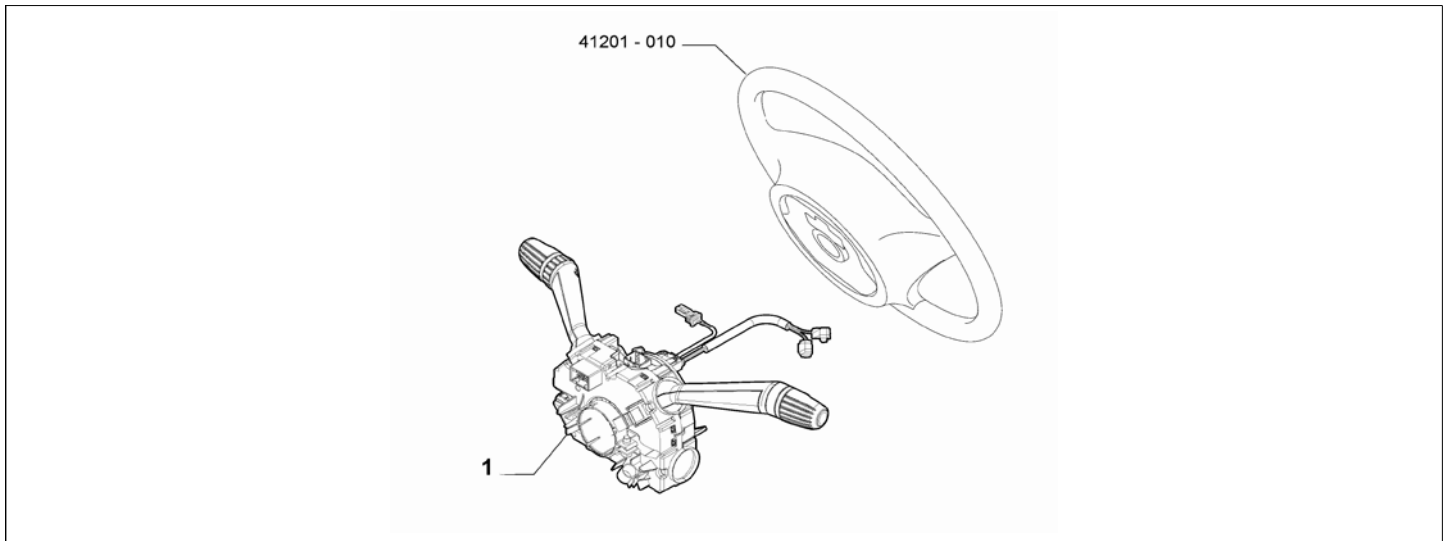


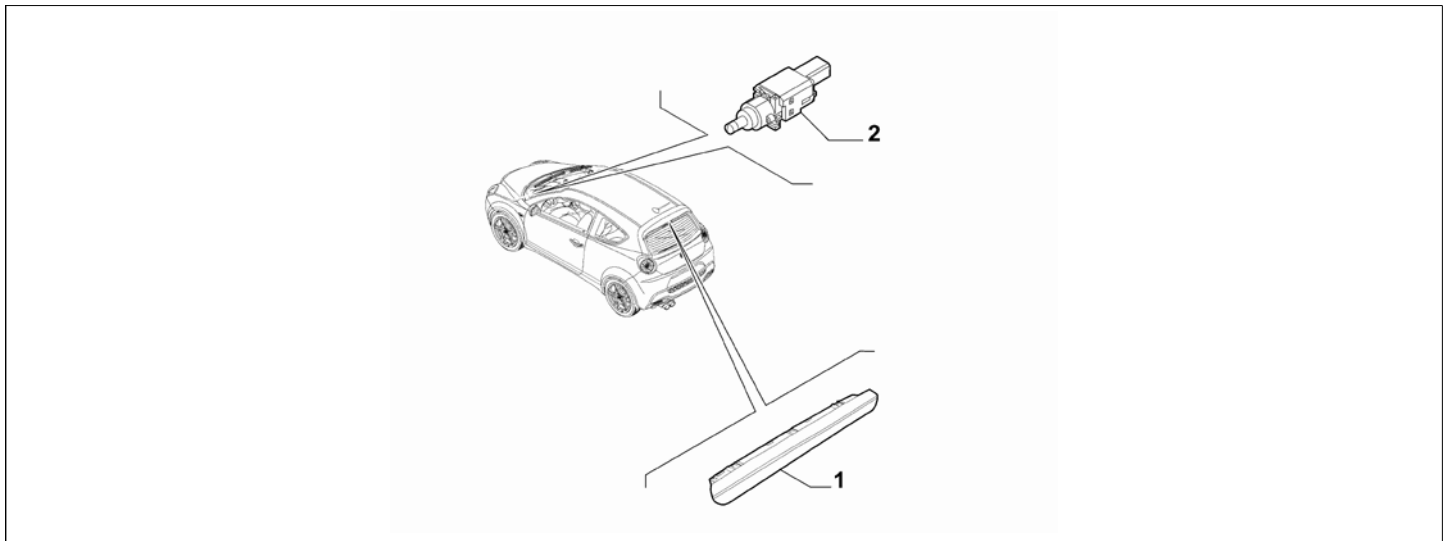
Catalogue	MITO 2011-2013	
Category	18.1 SIGNALLING DEVICES	
Var.	01	
Rev.	00	



Part Num.	Description	Compatibility	Modif.	Qty	Notes	Col.	Reman.
1	156105935	SWITCH UNIT	!051+!245+!347+!416+!5BH+!709	1			
1	156105928	SWITCH UNIT	!051+!245+!347+!416+!5BH+!709	1			
1	156105929	SWITCH UNIT	051+!245+347+!416+!5BH+!709	1			
1	156105930	SWITCH UNIT	!051+245+!347+!416+!5BH+!709	1			
1	156105930	SWITCH UNIT	!051+!245+!347+!416+!5BH+709	1			
1	156105930	SWITCH UNIT	!051+!347+!416+5BH	1			
1	156105931	SWITCH UNIT	051+!245+347+!416+!5BH+!709	1			
1	156105932	SWITCH UNIT	!051+245+!347+!416+!5BH+!709	1			
1	156105932	SWITCH UNIT	!051+!245+!347+!416+!5BH+709	1			
1	156105932	SWITCH UNIT	!051+!347+!416+5BH	1			
1	156105933	SWITCH UNIT	051+245+347+!416+!5BH+!709	1			
1	156105933	SWITCH UNIT	051+!245+347+!416+!5BH+709	1			
1	156105933	SWITCH UNIT	051+347+!416+5BH	1			
1	156105934	SWITCH UNIT	051+245+347+!416+!5BH+!709	1			
1	156105934	SWITCH UNIT	051+!245+347+!416+!5BH+709	1			
1	156105934	SWITCH UNIT	051+347+!416+5BH	1			

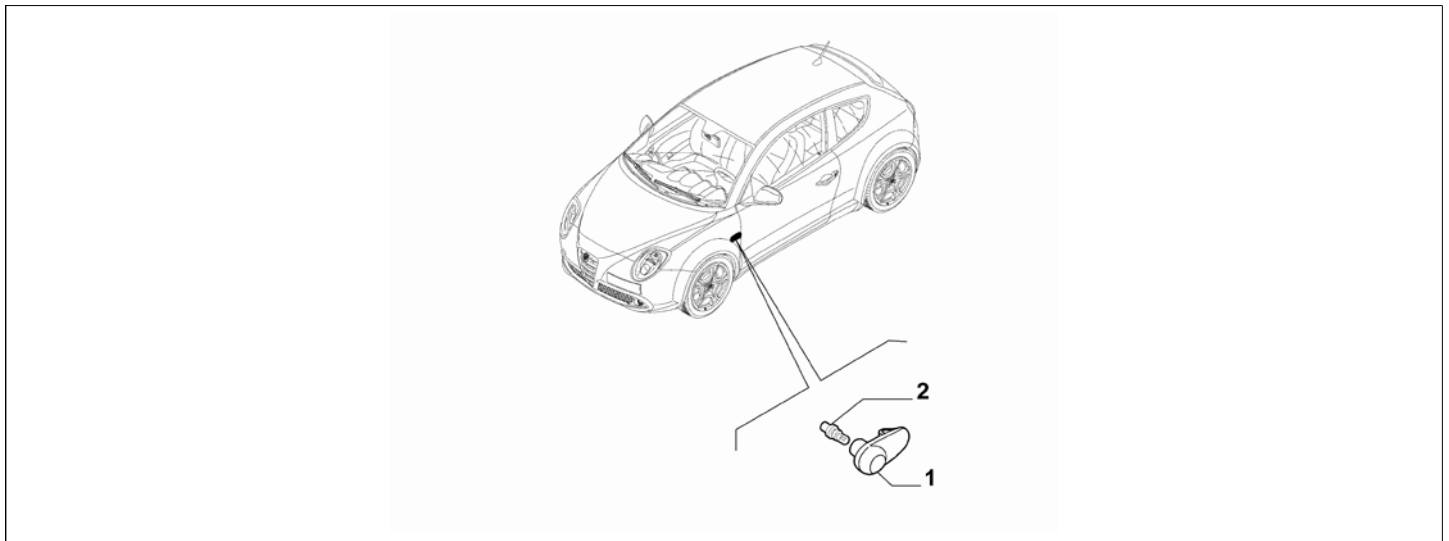
Legend	
051	AUTOMATIC HEADLAMP ACTIVATION DEVICE (DUSK)
245	STEERING WHEEL CONTROLS
347	RAIN SENSOR
416	CRUISE CONTROL
5BH	STEERING WHEEL CONTROLS 2
709	PHONE/RADIO CONTROLS ON THE STEERING WHEEL

Catalogue	MITO 2011-2013	
Category	18.1 SIGNALLING DEVICES	
Var.	01	
Rev.	00	



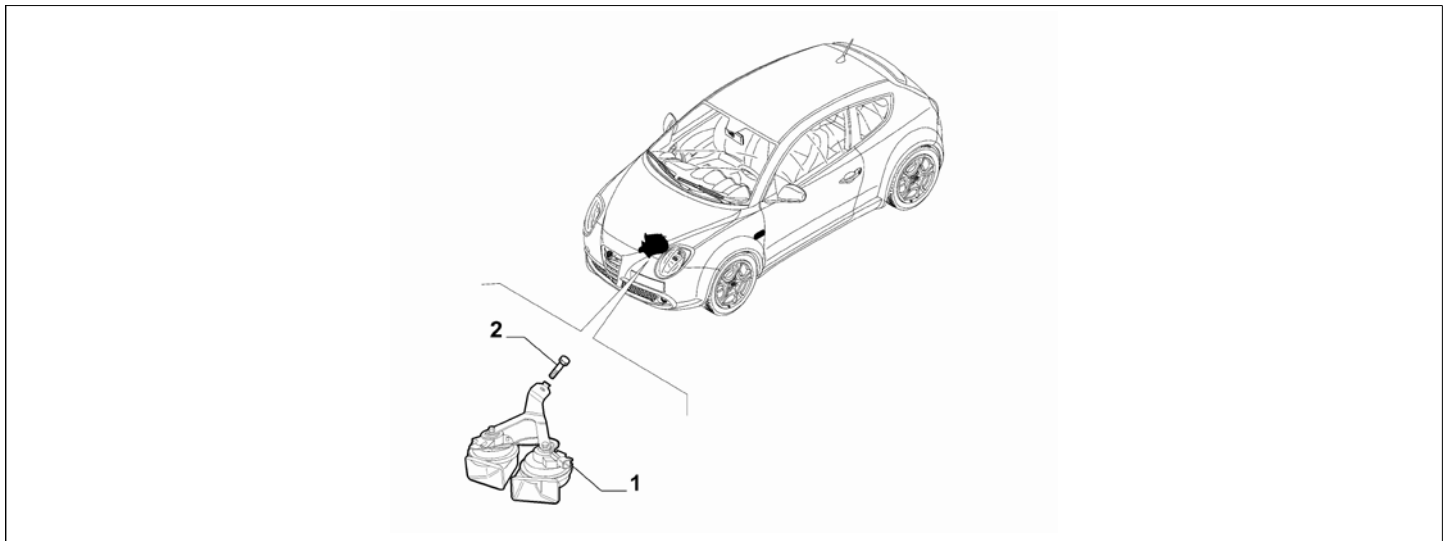
Part Num.	Description	Compatibility	Modif.	Qty	Notes	Col.	Reman.
1	50521013 TAIL LAMP			1			
2	50512681 SWITCH			1			

Catalogue	MITO 2011-2013	
Category	18.1 SIGNALLING DEVICES	
Var.	01	
Rev.	00	



Part Num.	Description	Compatibility	Modif.	Qty	Notes	Col.	Reman.
1	51822766 SIDE LAMP			2			
2	14144191 BULB			2			

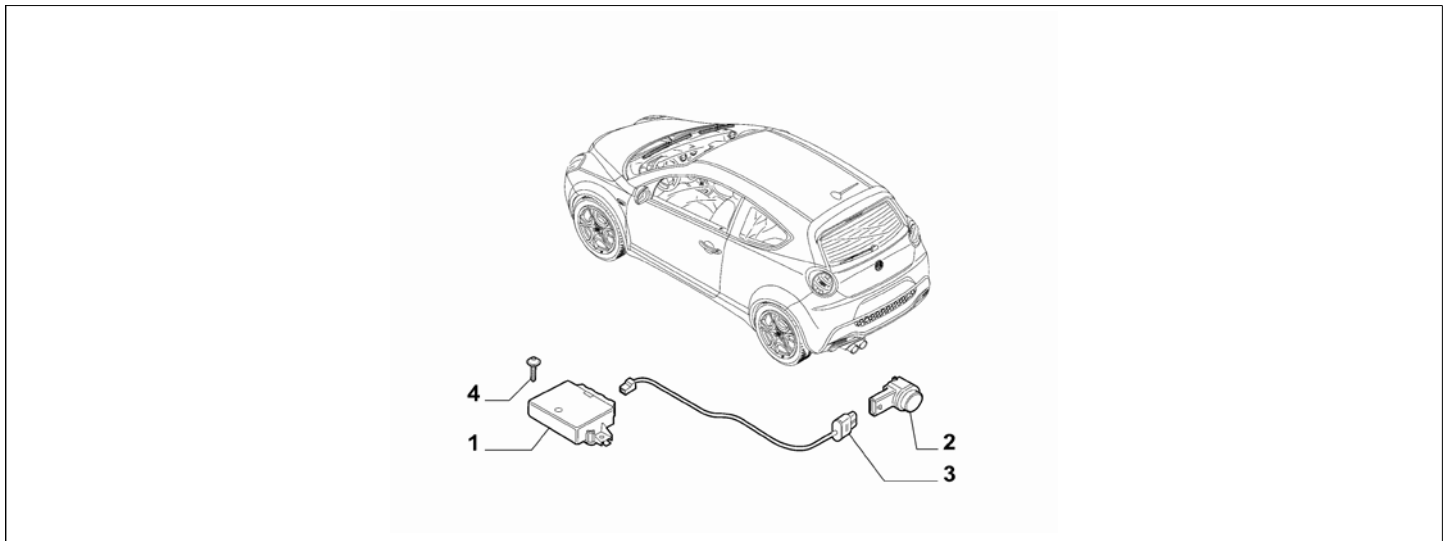
Catalogue	MITO 2011-2013	
Category	18.1 SIGNALLING DEVICES	
Var.	01	
Rev.	00	



Part Num.	Description	Compatibility	Modif.	Qty	Notes	Col.	Reman.
1	50510965 WARNING HORN	LHD		1			
1	50511791 WARNING HORN	RHD		1			
2	55192179 SCREW			1			

Legend	
RHD	STEERING:RIGHT
LHD	STEERING:LEFT

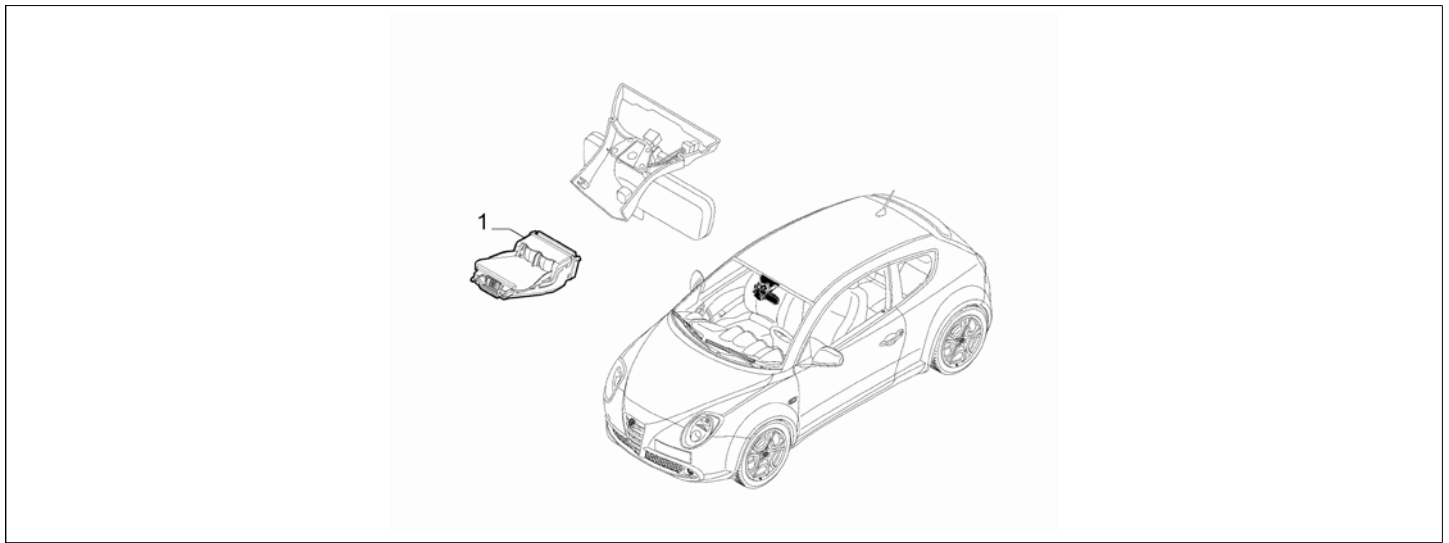
Catalogue	MITO 2011-2013	
Category	18.1 SIGNALLING DEVICES	
Var.	01	
Rev.	00	



Part Num.	Description	Compatibility	Modif.	Qty	Notes	Col.	Reman.
1	50524069 ELECTRONIC CONTROL UNIT	508		1			
2	71753101 SENSOR	508	C16230	2	SUPPLIED WITH PRIMER		
2	71775015 SENSOR	508	D16230	2	SUPPLIED WITH PRIMER		
2	51903464 SENSOR	508		2			
3	50515642 CABLE HARNESS	508		1			
4	16085507 SCREW			2			

Legend	
508	PARKING SENSOR
16230	New parking sensors [DAT 01/01/2013]

Catalogue	MITO 2011-2013	
Category	18.1 SIGNALLING DEVICES	
Var.	01	
Rev.	00	



Part Num.	Description	Compatibility	Modif.	Qty	Notes	Col.	Reman.
1	50521715 SENSOR	6DC		1			

Legend	
6DC	LOW SPEED COLLISION MITIGATION (LSCM)