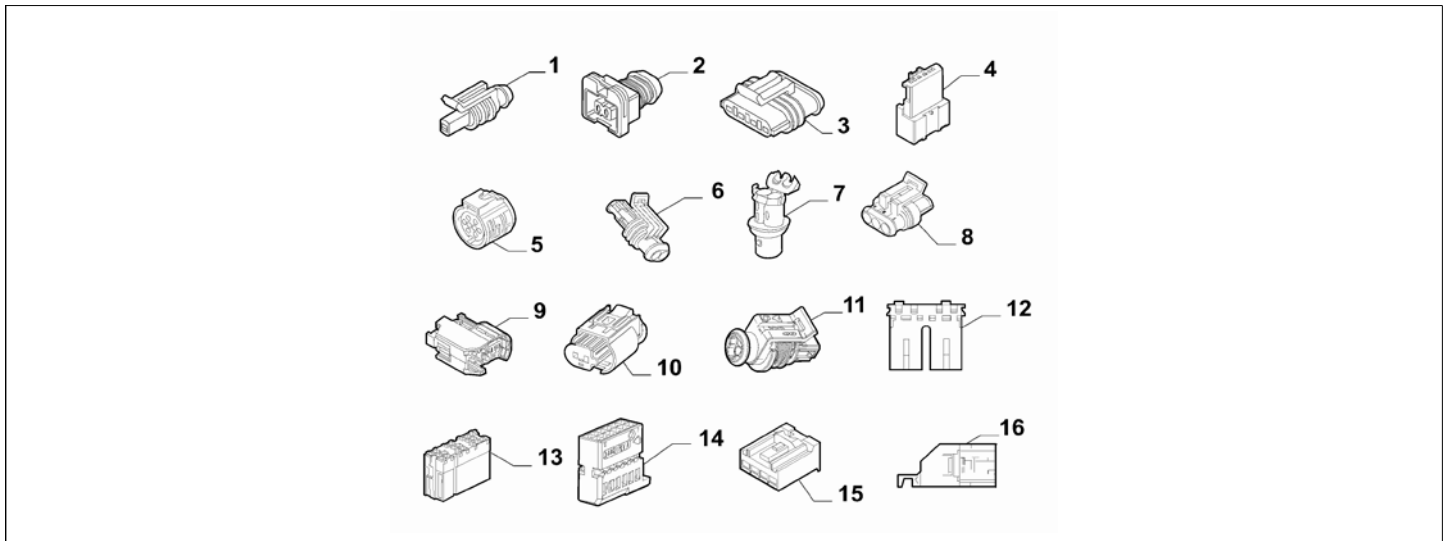


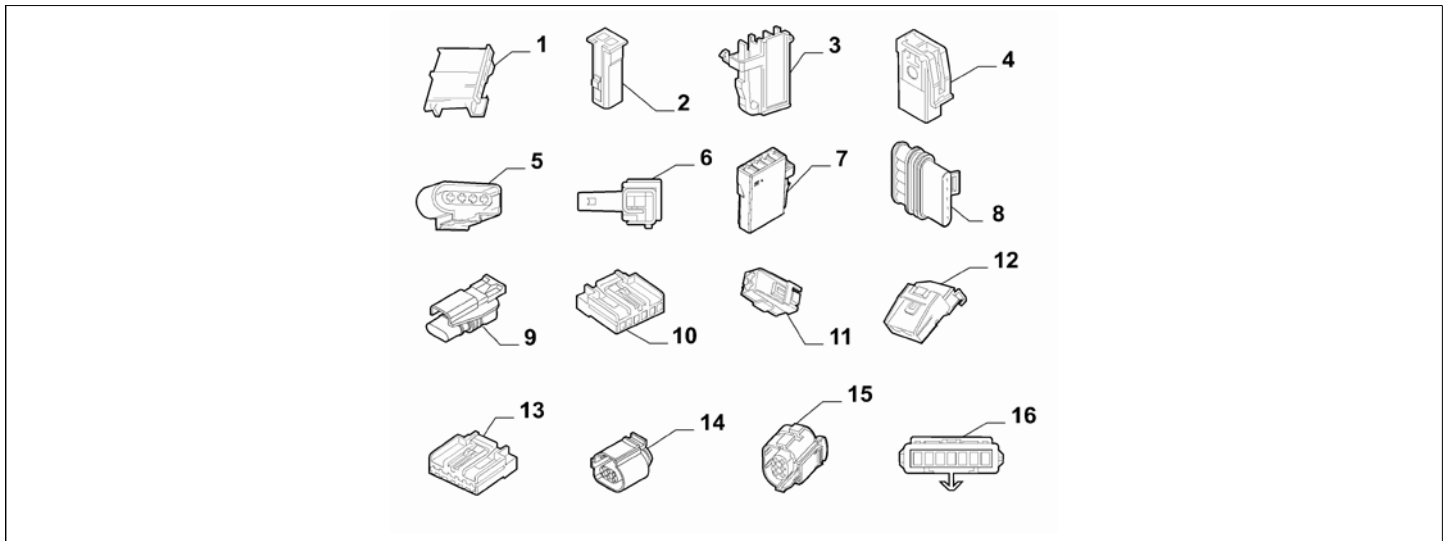
Catalogue	MITO 2011-2013	
Category	18.14 CABLE ASSEMBLY CONNECTORS	
Var.	01	
Rev.	00	



Part Num.	Description	Compatibility	Modif.	Qty	Notes	Col.	Reman.
1	71749527	CONNECTOR KIT, RIGHT BRAKE PAD WEAR SENSOR		1			
1	71749527	CONNECTOR KIT, LEFT BRAKE PAD WEAR SENSOR		1			
2	71749533	CONNECTOR KIT, TURBO PRESSURE / VGT SOLENOID VALVE		1			
2	71749533	CONNECTOR KIT, REAR FOG LAMP		1			
3	71752809	CONNECTOR KIT, ALARM SIREN CONTROL UNIT		1			
4	71771847	CONNECTOR KIT, WIRING HARNESS		1			
5	71774002	CONNECTOR KIT, RH HEADLAMP		1			
5	71774002	CONNECTOR KIT, LH HEADLAMP		1			
6	71774003	CONNECTION, REVERSE LIGHT CONTROL		1			
6	71774003	CONNECTION, RIGHT FOG LAMP		1			
6	71774003	CONNECTION, LEFT FOG LAMP		1			
6	71774003	CONNECTION, OPEN HOOD SENSOR		1			
6	71774003	CONNECTION, BRAKE OIL LEVEL SENSOR		1			
7	71774004	CONNECTOR KIT, INDICATOR (RH SIDE)		1			
7	71774004	CONNECTOR KIT, DIRECTION INDICATOR (SIDE LH)		1			
7	71774004	CONNECTOR KIT, RIGHT NUMBER PLATE LIGHT		1			
7	71774004	CONNECTOR KIT, LEFT NUMBER PLATE LAMP		1			
8	71774007	CONNECTION, NEUTRAL POSITION SENSOR		1			
9	71774009	CONNECTOR KIT, HORN UNIT		1			

10	71774010	CONNECTOR KIT, FRONT RH SHOCK ABSORBER SOLENOID VALVE			1			
10	71774010	CONNECTOR KIT, FRONT LEFT SHOCK ABSORBER SOLENOID VALVE			1			
10	71774010	CONNECTOR KIT, FRONT ABS SENSOR (RH)			1			
10	71774010	CONNECTOR KIT, FRONT ABS SENSOR (LH)			1			
10	71774010	CONNECTOR KIT, REAR ABS SENSOR (RH)			1			
10	71774010	CONNECTOR KIT, REAR ABS SENSOR (RH)			1			
10	71774010	CONNECTOR KIT, BATTERY CHARGE STATUS SENSOR			1			
10	71774010	CONNECTOR KIT, SERVO BRAKE PRESSURE SENSOR			1			
11	71774013	CONNECTOR KIT, LINEAR PRESSURE SENSOR FOR A/C			1			
12	71774016	CONNECTOR KIT, RADIO RECEIVER NODE			1			
13	71774017	CONNECTOR KIT, RADIO RECEIVER NODE			1			
14	71774020	CONNECTOR KIT, STEERING COLUMN STALK			1			
15	71774021	CONNECTOR KIT, BRAKE LIGHT CONTROL ON BRAKE PEDAL			1			
16	71774023	CONNECTOR KIT, PARKING SENSOR NODE			1			

Catalogue	MITO 2011-2013	
Category	18.14 CABLE ASSEMBLY CONNECTORS	
Var.	02	
Rev.	00	



Part Num.	Description	Compatibility	Modif.	Qty	Notes	Col.	Reman.
1	71774024	CONNECTOR KIT, FRONT WINDOW WINDER CONTROL (PS)		1			
2	71774025	CONNECTOR KIT, TRUNK OPENING CONTROL		1			
2	71774025	CONNECTOR KIT, HANDBRAKE (ENGAGED) WARNING LIGHT CONTROL		1			
2	71774025	CONNECTOR KIT, KEY-LOCK ELECTROMAGNET		1			
2	71774025	CONNECTOR KIT, ANTI-PUDDLE LIGHTS ON FRONT DOOR (DS)		1			
2	71774025	CONNECTOR KIT, ANTI-PUDDLE LIGHTS ON FRONT DOOR (PS)		1			
2	71774025	CONNECTOR KIT, DRIVER SIDE SUN VISOR LIGHT		1			
2	71774025	CONNECTOR KIT, PASSENGER SIDE SUN VISOR LIGHT		1			
2	71774025	CONNECTOR KIT, LOAD COMPARTMENT CEILING LIGHT		1			
3	71774026	CONNECTOR KIT, REAR SPEAKER (RH)		1			
3	71774026	CONNECTOR KIT, REAR SPEAKER (LH)		1			
3	71774026	CONNECTOR KIT, FRONT DOOR SPEAKER (DS)		1			
3	71774026	CONNECTOR KIT, FRONT DOOR SPEAKER (PS)		1			
4	71774027	CONNECTOR KIT, FRONT RIGHT TWEETER		1			
4	71774027	CONNECTOR KIT, FRONT LEFT TWEETER		1			
4	71774027	CONNECTOR KIT, REAR RIGHT TWEETER		1			

4	71774027	CONNECTOR KIT, REAR LEFT TWEETER			1			
5	71774031	CONNECTOR KIT, WINDSCREEN WIPER MOTOR			1			
6	71774032	CONNECTOR KIT, TWO-WAY WINDSCREEN/REAR WINDOW WIPER PUMP			1			
7	71774036	CONNECTOR KIT, TRUNK LOCK			1			
8	71774040	CONNECTOR KIT, DIESEL FILTER			1			
8	71774040	CONNECTOR KIT, LPG TANK MULTIVALVE			1			
9	71774042	CONNECTOR KIT, OXYGEN SENSOR DOWNSTREAM OF CATALYTIC CONVERTER			1			
10	71774054	CONNECTOR KIT, REAR RIGHT LAMP			1			
10	71774054	CONNECTOR KIT, REAR LEFT LAMP			1			
11	71774055	CONNECTOR KIT, IGNITION SWITCH			1			
12	71774056	CONNECTOR KIT, IGNITION SWITCH			1			
13	71774057	CONNECTOR KIT, ELECTRIC DRIVE HARNESS			1			
13	71774057	CONNECTOR KIT, CENTRAL CONTROL PANEL ON DASHBOARD			1			
13	71774057	CONNECTOR KIT, USB/AUX PORT			1			
13	71774057	CONNECTOR KIT, INTERNAL REARVIEW MIRROR			1			
14	71774061	CONNECTOR KIT, FRONT DOOR LOCK (DS)			1			
14	71774061	CONNECTOR KIT, FRONT DOOR LOCK (PS)			1			
15	71774063	CONNECTOR KIT, OXYGEN SENSOR UPSTREAM OF CATALYTIC CONVERTER			1			
15	71774063	CONNECTOR KIT, SONDA LAMBDA			1			
16	71774064	CONNECTOR KIT, REAR BUMPER			1			