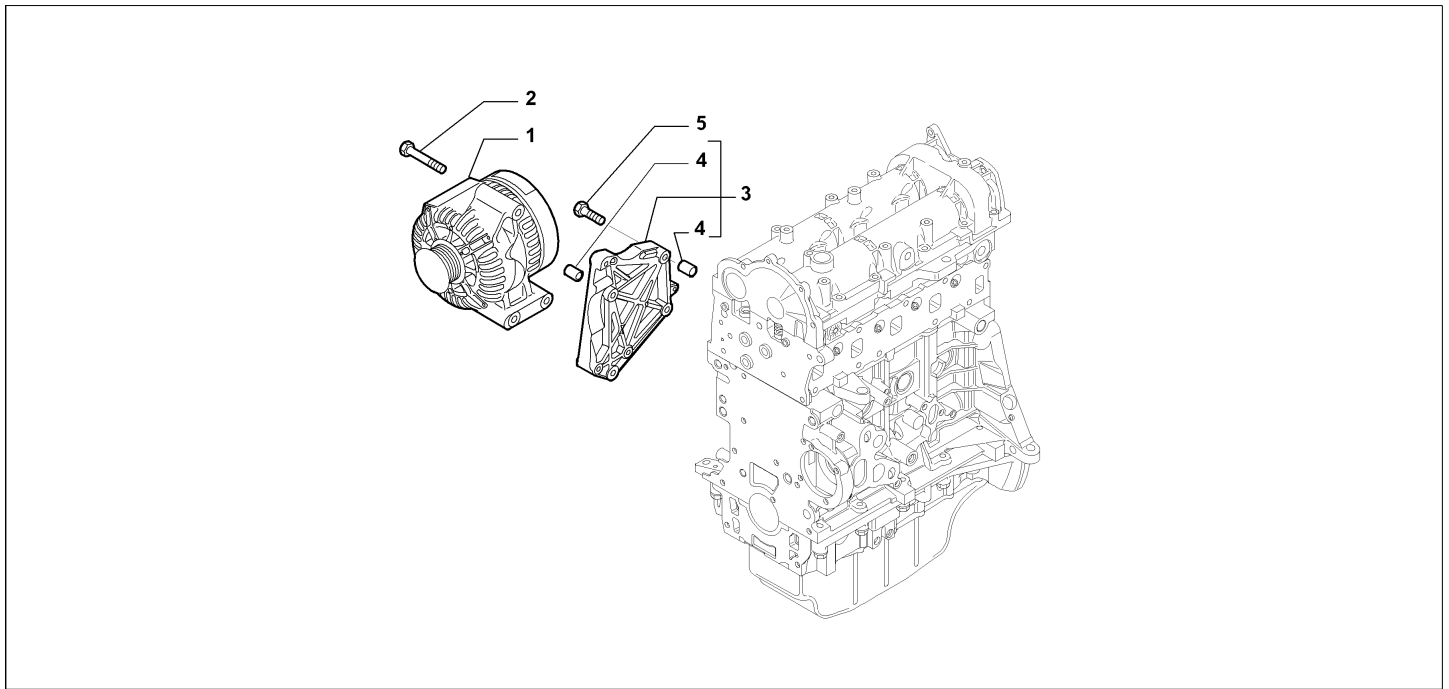


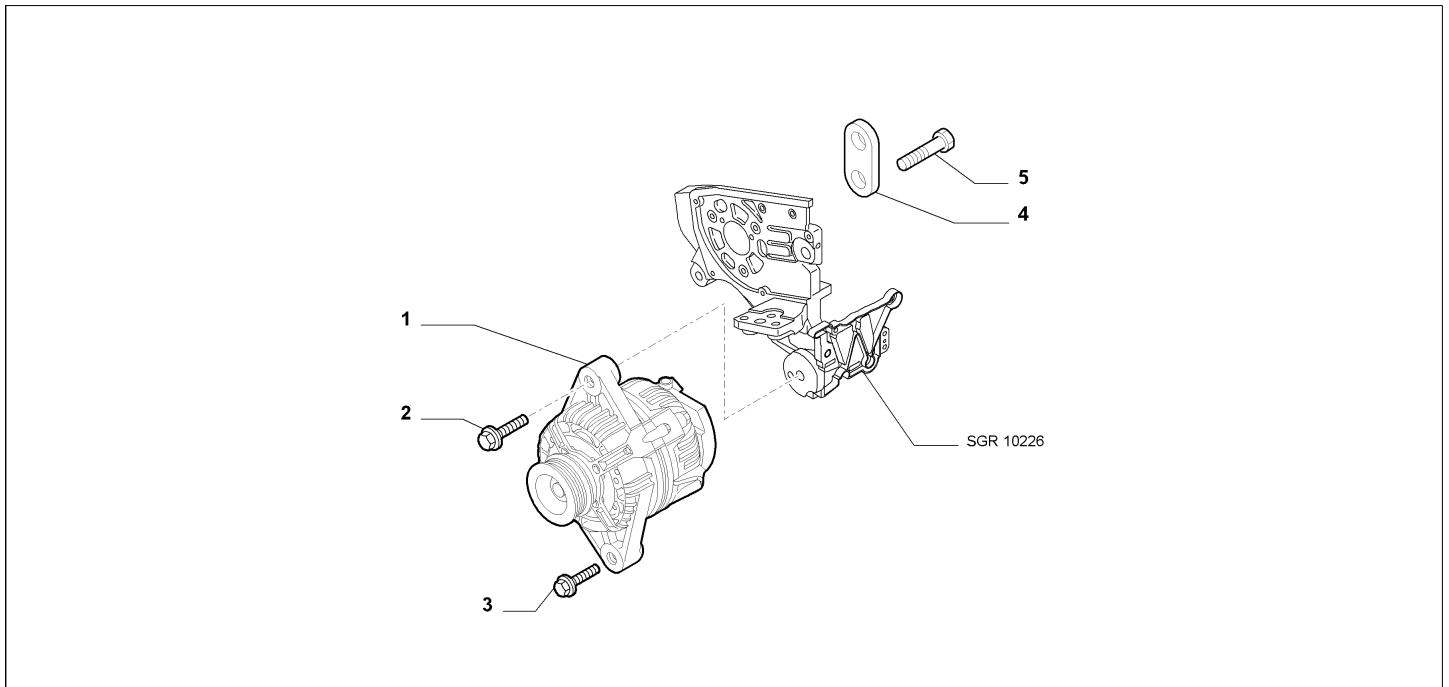
Catalogue	MITO 2011-2013	
Category	16.2 CURRENT GENERATING SYSTEM	
Var.	01	1.3D + DIESEL + (95HP, 85HP) + EURO5
Rev.	00	



Part Num.	Description	Compatibility	Modif.	Qty	Notes	Col.	Reman.
1	51854907 ALTERNATOR, 105A	!025+!140+95HP		01			
1	51854912 ALTERNATOR, 120A	025+95HP		01			71796277
1	51880175 ALTERNATOR, 120A	66M+85HP+129		01			71797013
1	51880174 ALTERNATOR, 105A	66M+85HP+!129		01			
2	16297821 SCREW, M8X85			03			
3	51788014 SUPPORT, COMPL			01			
4	46776158 DOWEL			04			
5	18753024 SCREW, M8X45			04			

Legend	
025	AIR CONDITIONER 1
129	ADAPTED FOR COLD COUNTRIES
140	CLIMATE CONTROL 2
66M	ECO KIT 2
1.3D	HORSE POWER (MARKET):1.3
DIESEL	FUEL:DIESEL
EURO5	ECOLOGY:LIM.ECC PHASE 5
85HP	POWER:1.3 SDE 85HP EURO5
95HP	POWER:1.3 SDE 95HP EURO5

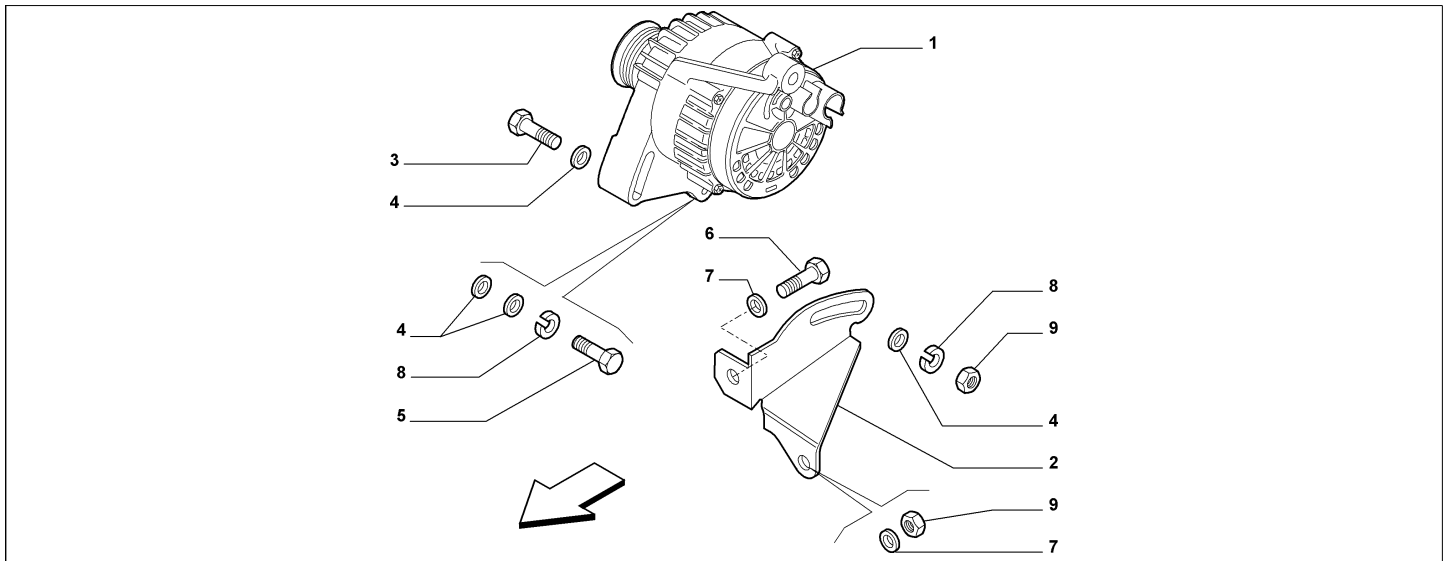
Catalogue	MITO 2011-2013	
Category	16.2 CURRENT GENERATING SYSTEM	
Var.	02	1.6D + DIESEL + 120HP
Rev.	00	



Part Num.	Description	Compatibility	Modif.	Qty	Notes	Col.	Reman.
1	51854901 ALTERNATOR, 100 A	!025+!140+!129+S/S		01			71794570
1	51854902 ALTERNATOR, 120 A	129		01			
1	51854902 ALTERNATOR, 120 A	025+S/S+!129+!140		01			
1	51854902 ALTERNATOR, 120 A	!129+140+S/S		01			
2	73503832 SCREW			01			
3	73502337 SCREW			01			
4	51758386 BRACKET			01			
5	73503830 SCREW			01			
5	73503831 SCREW			01			

Legend	
025	AIR CONDITIONER 1
129	ADAPTED FOR COLD COUNTRIES
140	CLIMATE CONTROL 2
S/S	STOP&START
1.6D	HORSE POWER (MARKET):1598
DIESEL	FUEL:DIESEL
120HP	POWER:1.6 JTD EURO5 -1.4 FIRE TRB EURO4 120CV

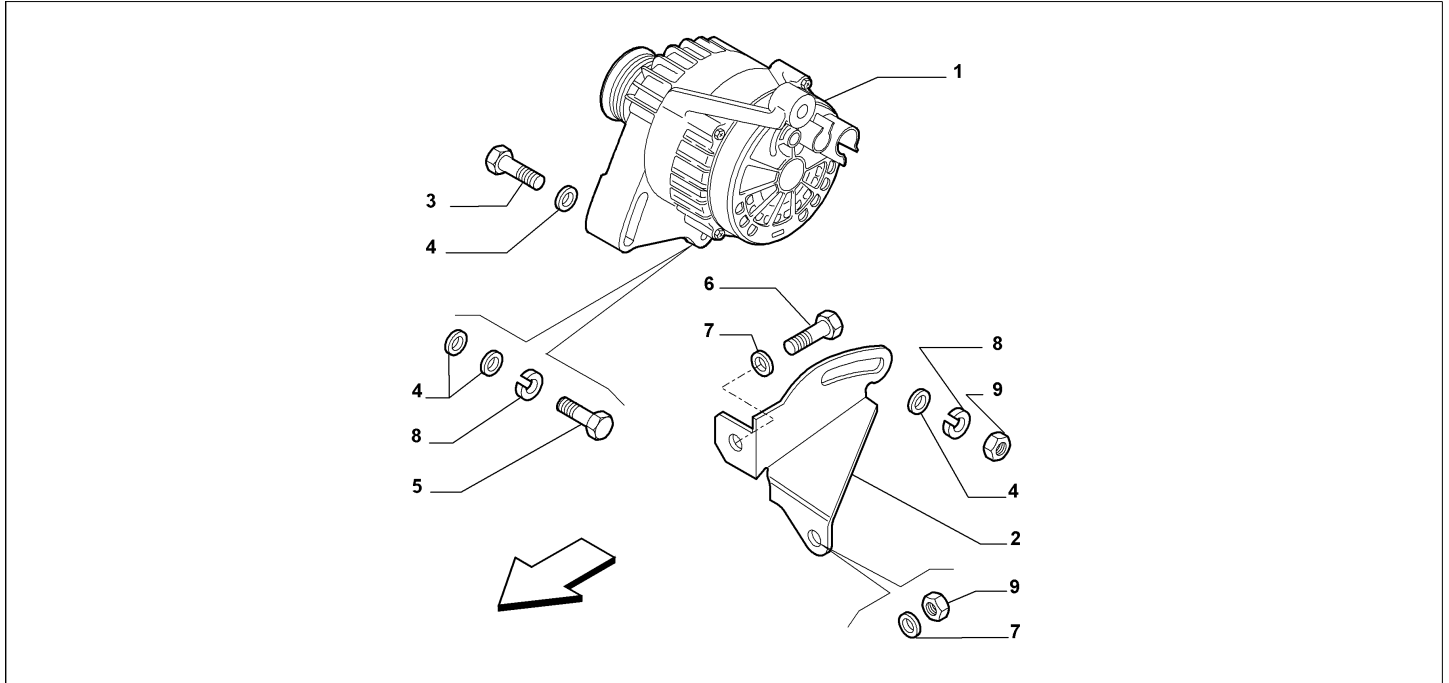
Catalogue	MITO 2011-2013	
Category	16.2 CURRENT GENERATING SYSTEM	
Var.	03	1.4 + 8V + !(025, 140)
Rev.	00	



Part Num.	Description	Compatibility	Modif.	Qty	Notes	Col.	Reman.
1	51700675 ALTERNATOR, 70A	70HP		1			71784031
1	51859044 ALTERNATOR, 105A	78HP		1			71794093
2	7725343 BRACKET			1			
3	16041621 SCREW, M10X45			1			
3	16041621 SCREW, M10X50			1			
4	12646821 PLANE WASHER			4			
5	14363334 SCREW, M10X1,25X55			2			
6	15970524 SCREW, M10X22			2			
7	11198574 LOCK WASHER			3			
8	11198371 LOCK WASHER			3			
9	15501121 NUT, M10X1,25			2			

Legend	
025	AIR CONDITIONER 1
140	CLIMATE CONTROL 2
1.4	HORSE POWER (MARKET):1370
70HP	POWER:1.4 FIRE 8V 70HP EURO5
78HP	POWER:1.4 FIRE 8V/16V 78HP EURO5
8V	TOTAL NUMBER OF VALVES:8 VALVES

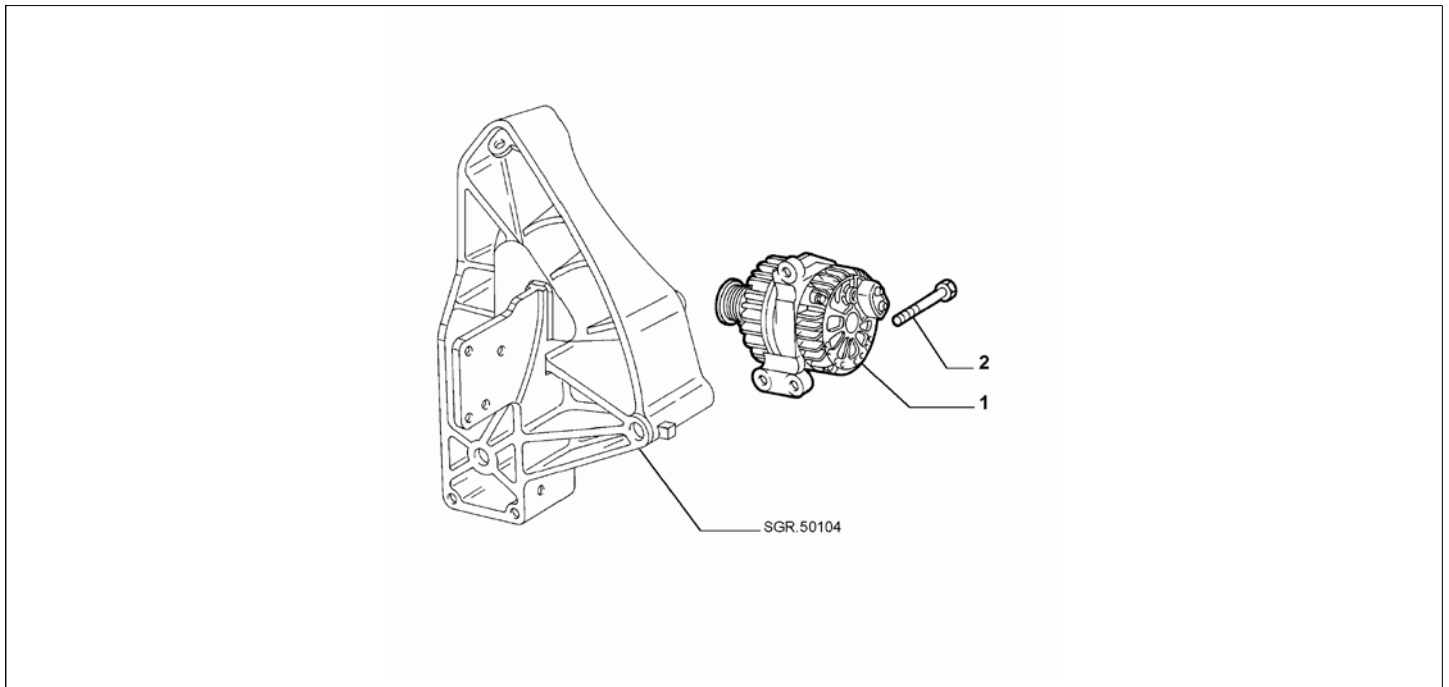
Catalogue	MITO 2011-2013	
Category	16.2 CURRENT GENERATING SYSTEM	
Var.	04	1.4 + 16V + (78HP, 105HP, 120HP, 135HP, 170HP) + !((025, 140))
Rev.	00	



Part Num.	Description	Compatibility	Modif.	Qty	Notes	Col.	Reman.
1	51700675 ALTERNATOR	78HP		01			71784031
1	51859043 ALTERNATOR	120HP		01			71794096
1	51854899 ALTERNATOR	105HP, 135HP		01			
2	7725343 BRACKET			01			
3	16041621 SCREW, M10X45			01			
3	16041621 SCREW, M10X50			01			
4	12646821 PLANE WASHER			04			
5	14363334 SCREW, M10X1,25X55			02			
6	15970524 SCREW, M10X22			02			
7	11198574 LOCK WASHER			03			
8	11198371 LOCK WASHER			03			
9	15501121 NUT, M10X1,25			02			

Legend	
025	AIR CONDITIONER 1
140	CLIMATE CONTROL 2
1.4	HORSE POWER (MARKET):1370
170HP	POWER:1.4 FIRE 16V TURBO MULTIAIR 170HP EURO 5
78HP	POWER:1.4 FIRE 8V/16V 78HP EURO5
105HP	POWER:1.4 FIRE 16V MULTIAIR 105HP (EURO 5)
120HP	POWER:1.6 JTD EURO5 -1.4 FIRE TRB EURO4 120CV
135HP	POWER:1.4 FIRE 16V TURBO MULTIAIR 135 HP EURO 5
16V	TOTAL NUMBER OF VALVES:16 VALVES

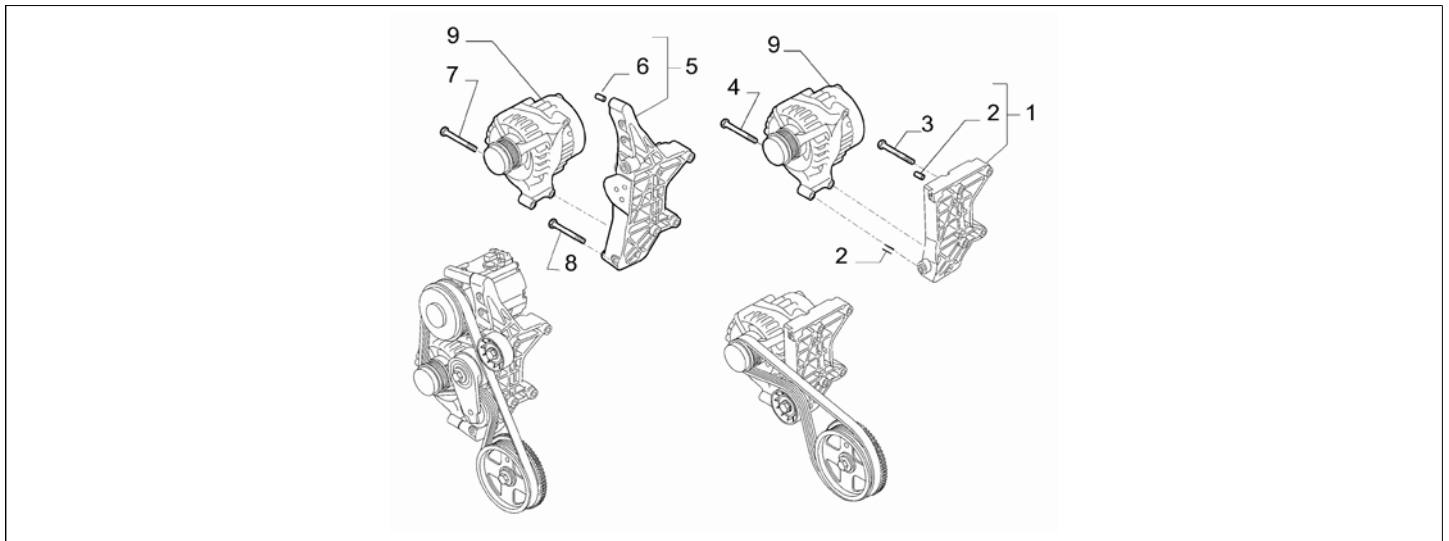
Catalogue	MITO 2011-2013	
Category	16.2 CURRENT GENERATING SYSTEM	
Var.	05	1.4 + 16V + (78HP, 105HP, 120HP, 135HP, 170HP) + (025, 140)
Rev.	00	



Part Num.	Description	Compatibility	Modif.	Qty	Notes	Col.	Reman.
1	51859038 ALTERNATOR	78HP		01			71794079
1	51854903 ALTERNATOR	120HP, 135HP, 155HP, 170HP		01			71796446
1	51859061 ALTERNATOR	105HP		01			
2	46463568 SCREW			03			

Legend	
025	AIR CONDITIONER 1
140	CLIMATE CONTROL 2
1.4	HORSE POWER (MARKET):1370
155HP	POWER:1.4 FIRE 16V TURBO 155HP (EURO 5)
170HP	POWER:1.4 FIRE 16V TURBO MULTIAIR 170HP EURO 5
78HP	POWER:1.4 FIRE 8V/16V 78HP EURO5
105HP	POWER:1.4 FIRE 16V MULTIAIR 105HP (EURO 5)
120HP	POWER:1.6 JTD EURO5 -1.4 FIRE TRB EURO4 120CV
135HP	POWER:1.4 FIRE 16V TURBO MULTIAIR 135 HP EURO 5
16V	TOTAL NUMBER OF VALVES:16 VALVES

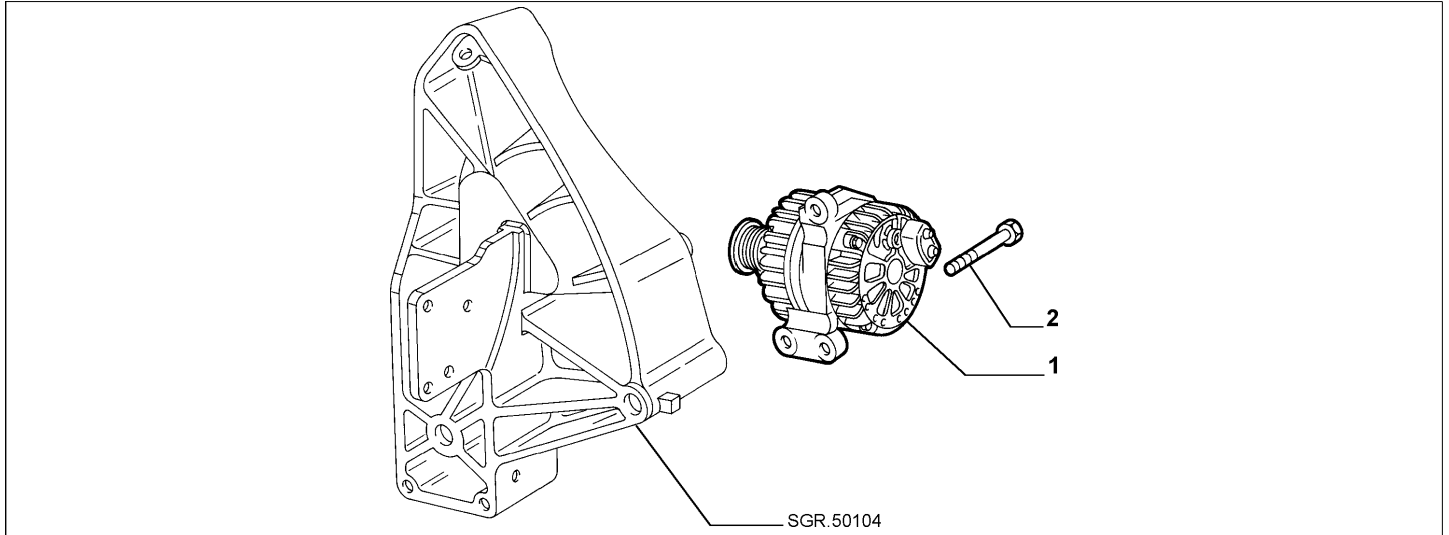
Catalogue	MITO 2011-2013	
Category	16.2 CURRENT GENERATING SYSTEM	
Var.	06	875CC + 85HP + TURBO + PETROL
Rev.	00	



Part Num.	Description	Compatibility	Modif.	Qty	Notes	Col.	Reman.
1	55225541	SUPPORT	I025, I140				
2	46434600	BUSH	I025, I140				
3	18753421	SCREW, M8X65	I025, I140				
4	18753121	SCREW, M8X50	I025, I140				
5	55225532	SUPPORT	025, 140				
6	46434600	BUSH	025, 140				
7	18753121	SCREW, M8X50	025, 140				
8	18753421	SCREW, M8X65	025, 140				
9	51874105	ALTERNATOR					71796424

Legend	
025	AIR CONDITIONER 1
140	CLIMATE CONTROL 2
TURBO	(ASPIRATED/TURBO):TURBO
875CC	HORSE POWER (MARKET):875
PETROL	FUEL:PETROL
85HP	POWER:1.3 SDE 85HP EURO5

Catalogue	MITO 2011-2013	
Category	16.2 CURRENT GENERATING SYSTEM	
Var.	07	1.4 + 8V + (025, 140)
Rev.	00	



Part Num.	Description	Compatibility	Modif.	Qty	Notes	Col.	Reman.
1	51859037 ALTERNATOR, 70A	IS/S		1			71793972
1	51859041 ALTERNATOR, 120A	S/S		1			71797005
2	46463568 SCREW			3			

Legend	
025	AIR CONDITIONER 1
140	CLIMATE CONTROL 2
S/S	STOP&START
1.4	HORSE POWER (MARKET):1370
8V	TOTAL NUMBER OF VALVES:8 VALVES