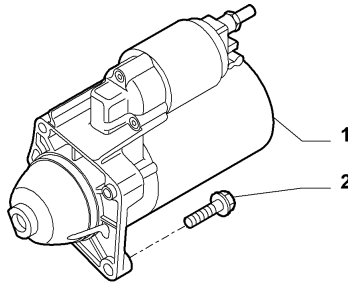


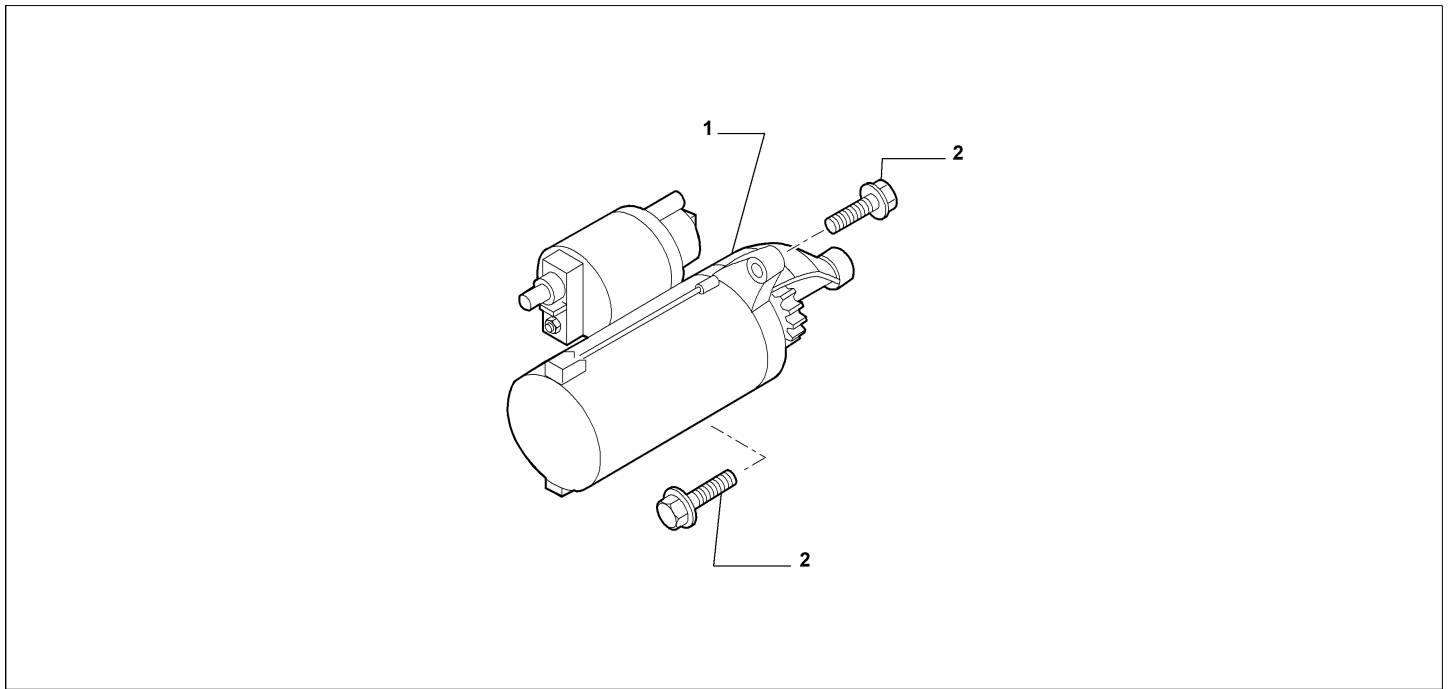
| | | |
|-----------|--------------------------------|-----------------------------|
| Catalogue | MITO 2011-2013 | |
| Category | 15.1 ENGINE STARTING EQUIPMENT | |
| Var. | 01 | 1.4 + PETROL, 1.6D + DIESEL |
| Rev. | 00 | |



| | Part Num. | Description | Compatibility | Modif. | Qty | Notes | Col. | Reman. |
|---|-----------|---------------|---------------|--------|-----|-------|------|----------|
| 1 | 51804744 | STARTER MOTOR | 1.4+S/S | | 1 | | | 71793777 |
| 1 | 51890631 | STARTER MOTOR | 1.4+IS/S | | 1 | | | 71794760 |
| 1 | 51810308 | STARTER MOTOR | 1.6D+S/S | | 1 | | | 71794782 |
| 2 | 18753021 | SCREW | 1.4 | | 2 | | | |
| 2 | 16287521 | SCREW | 1.6D | | 3 | | | |

| Legend | |
|--------|---------------------------|
| S/S | STOP&START |
| 1.4 | HORSE POWER (MARKET):1370 |
| 1.6D | HORSE POWER (MARKET):1598 |
| PETROL | FUEL:PETROL |
| DIESEL | FUEL:DIESEL |

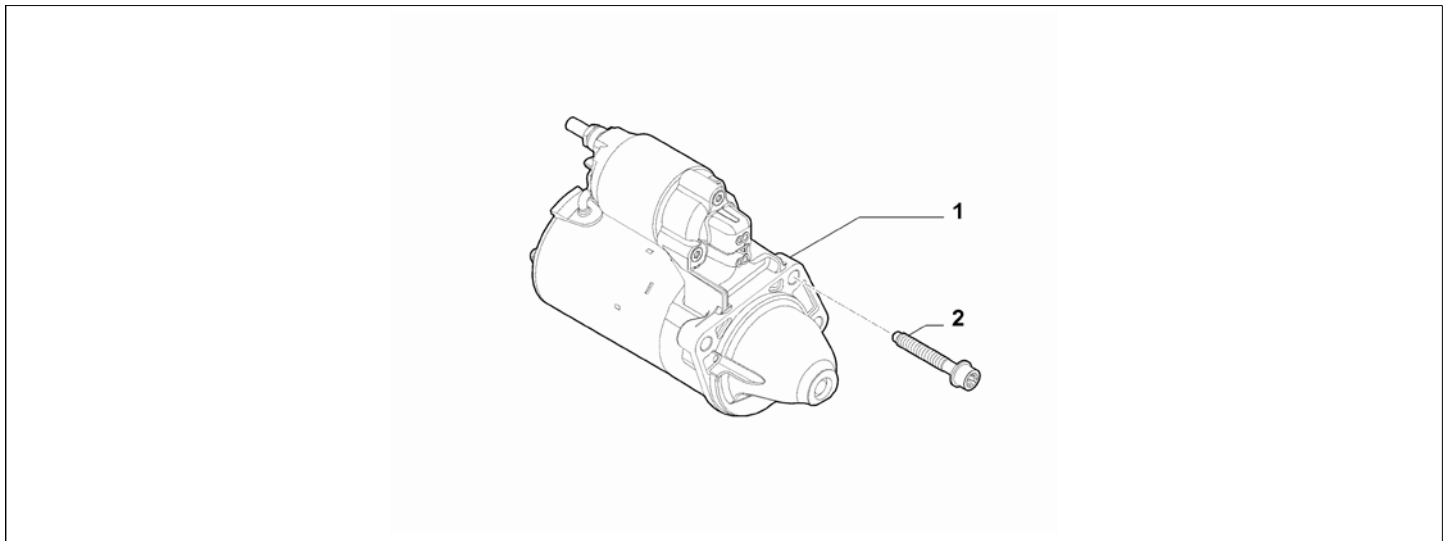
| | | |
|-----------|--------------------------------|--------------------------------------|
| Catalogue | MITO 2011-2013 | |
| Category | 15.1 ENGINE STARTING EQUIPMENT | |
| Var. | 02 | 1.3D + DIESEL + (95HP, 85HP) + EURO5 |
| Rev. | 00 | |



| Part Num. | Description | Compatibility | Modif. | Qty | Notes | Col. | Reman. |
|-----------|------------------------|---------------|--------|-----|-------|------|----------|
| 1 | 51810307 STARTER MOTOR | | | 01 | | | 71796983 |
| 2 | 55201943 SCREW, M8X45 | | | 02 | | | |

| Legend | |
|--------|--------------------------|
| 1.3D | HORSE POWER (MARKET):1.3 |
| DIESEL | FUEL:DIESEL |
| EURO5 | ECOLOGY:LIM.ECC PHASE 5 |
| 85HP | POWER:1.3 SDE 85HP EURO5 |
| 95HP | POWER:1.3 SDE 95HP EURO5 |

| | | |
|-----------|--------------------------------|----------------|
| Catalogue | MITO 2011-2013 | |
| Category | 15.1 ENGINE STARTING EQUIPMENT | |
| Var. | 03 | 875CC + PETROL |
| Rev. | 00 | |



| | Part Num. | Description | Compatibility | Modif. | Qty | Notes | Col. | Reman. |
|---|------------|---------------|---------------|--------|-----|-------|------|--------|
| 1 | A 51829380 | STARTER MOTOR | | | 01 | | | |
| 1 | A 51872564 | STARTER MOTOR | | | 01 | | | |
| 2 | 55227611 | SCREW | | | 03 | | | |

| Legend | |
|--------|--------------------------|
| 875CC | HORSE POWER (MARKET):875 |
| PETROL | FUEL:PETROL |