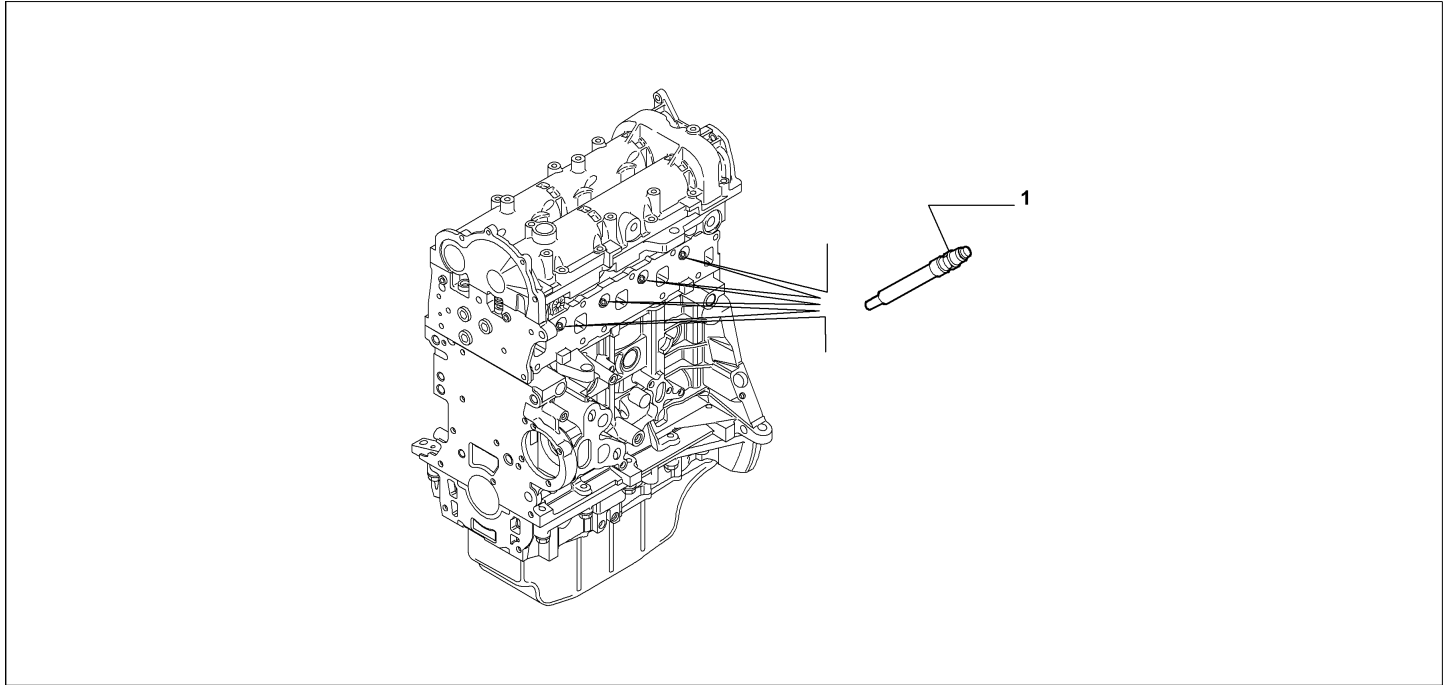


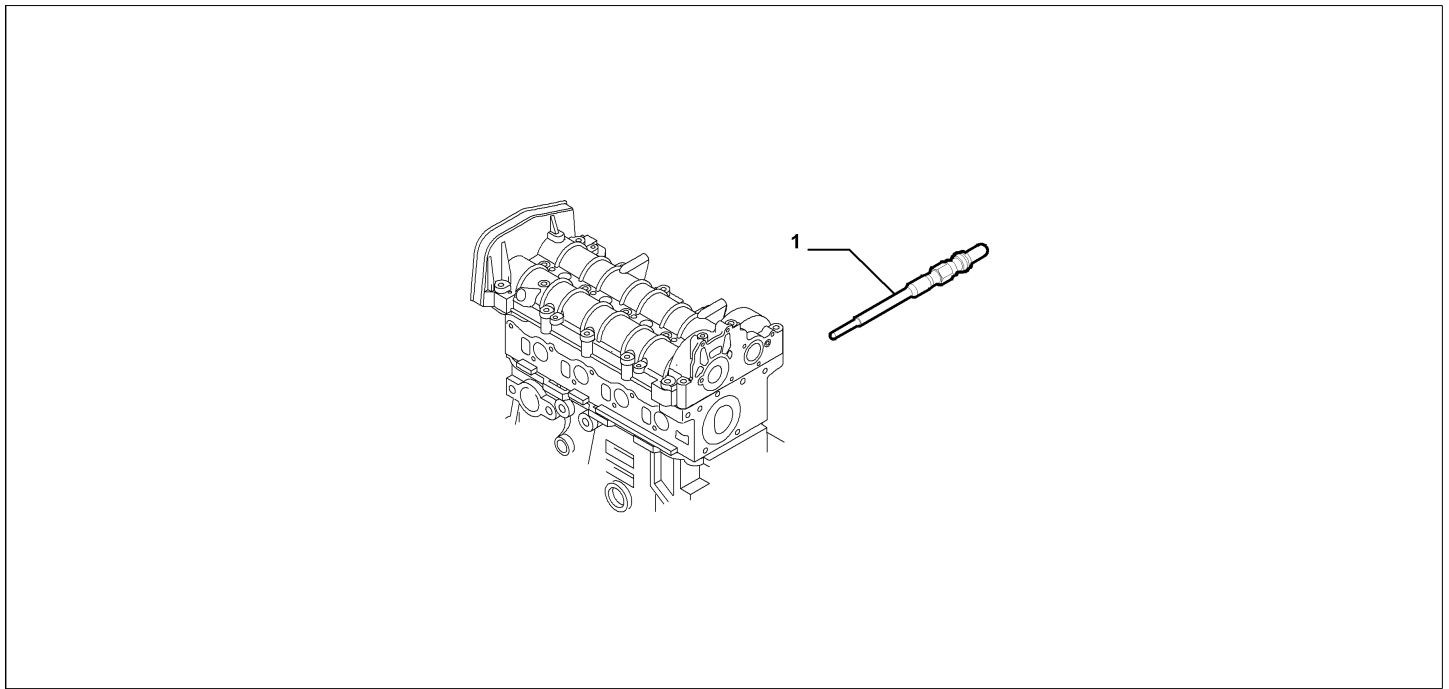
Catalogue	MITO 2011-2013	
Category	14.1 ENGINE IGNITION SYSTEM	
Var.	01	1.3D + DIESEL + (95HP, 85HP) + EURO5
Rev.	00	



Part Num.	Description	Compatibility	Modif.	Qty	Notes	Col.	Reman.
1	55210051 PREHEAT SPARK PLUG			04			

Legend	
1.3D	HORSE POWER (MARKET):1.3
DIESEL	FUEL:DIESEL
EURO5	ECOLOGY:LIM.ECC PHASE 5
85HP	POWER:1.3 SDE 85HP EURO5
95HP	POWER:1.3 SDE 95HP EURO5

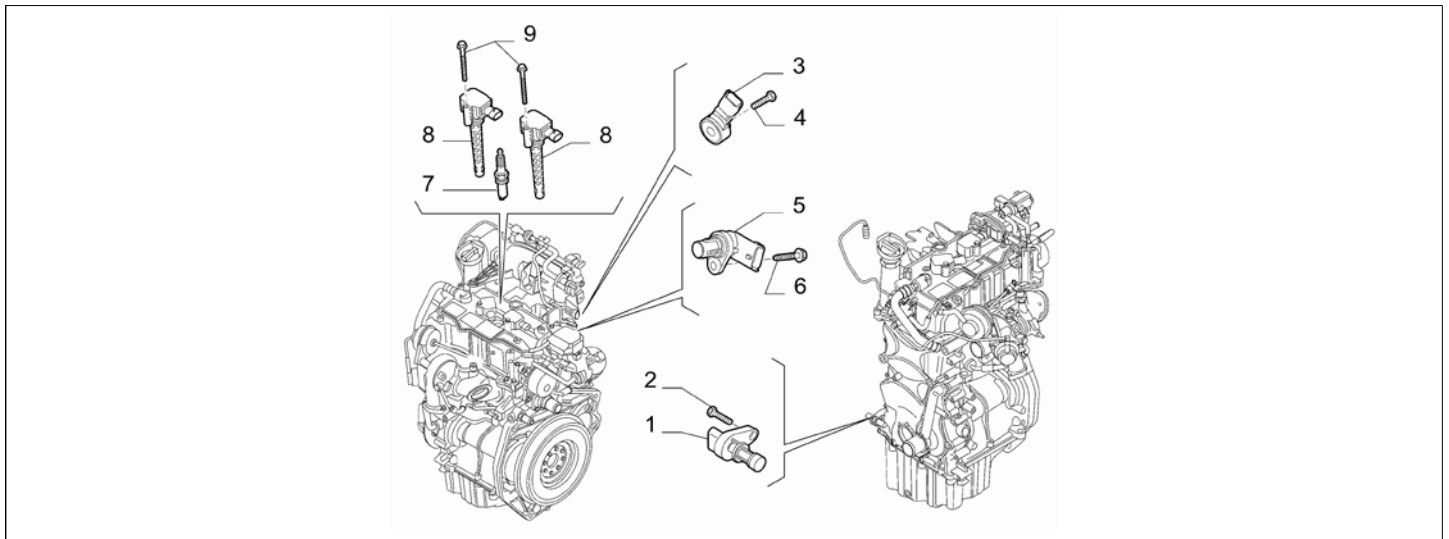
Catalogue	MITO 2011-2013	
Category	14.1 ENGINE IGNITION SYSTEM	
Var.	02	1.6D + DIESEL + 120HP
Rev.	00	



Part Num.	Description	Compatibility	Modif.	Qty	Notes	Col.	Reman.
1	55200755 PREHEAT SPARK PLUG			04			

Legend	
1.6D	HORSE POWER (MARKET):1598
DIESEL	FUEL:DIESEL
120HP	POWER:1.6 JTD EURO5 -1.4 FIRE TRB EURO4 120CV

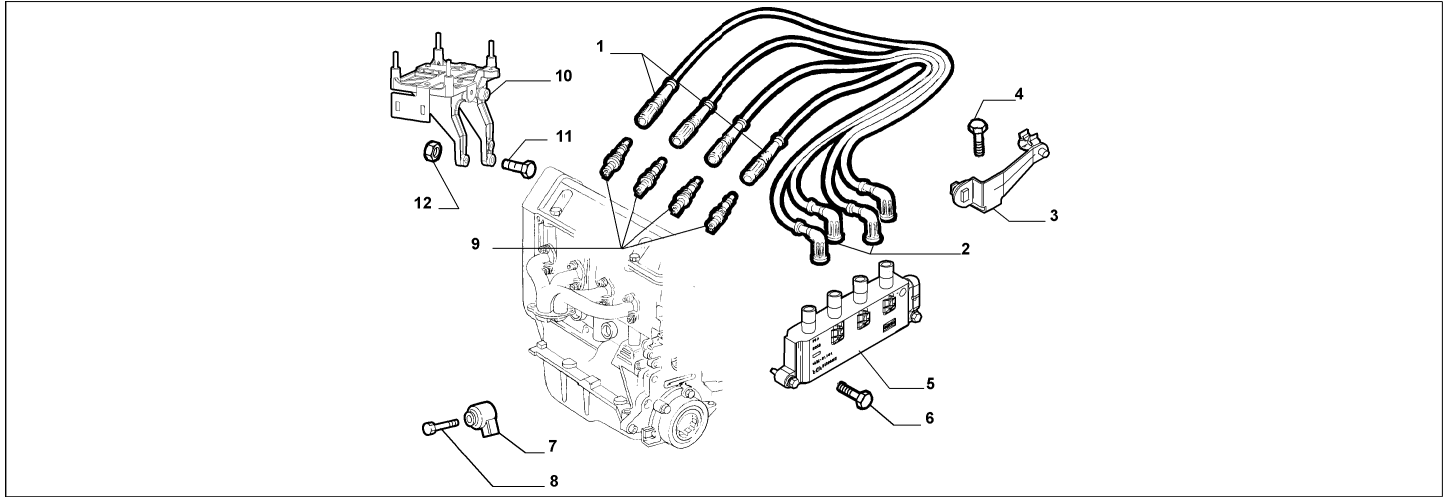
Catalogue	MITO 2011-2013	
Category	14.1 ENGINE IGNITION SYSTEM	
Var.	01	875CC + 85HP + TURBO + PETROL
Rev.	00	



	Part Num.	Description	Compatibility	Modif.	Qty	Notes	Col.	Reman.
1	46341137	SENDING UNIT, Engine revolution sensor			1			
2	11612434	SCREW			1			
3	50046873	SENDING UNIT, KNOCK SENSOR			1			
4	7711808	SCREW			1			
5 A	55242637	SENDING UNIT, PHASE SENSOR			1			
5 A	6000100156	SENDING UNIT, PHASE SENSOR			1			
6	11612434	SCREW			1			
7	55242187	IGNITION PLUG			2			
8	55234131	COIL, ACCENSIONE			2			
9	55279902	SCREW			2			

Legend	
TURBO	(ASPIRATED/TURBO):TURBO
875CC	HORSE POWER (MARKET):875
PETROL	FUEL:PETROL
85HP	POWER:1.3 SDE 85HP EURO5

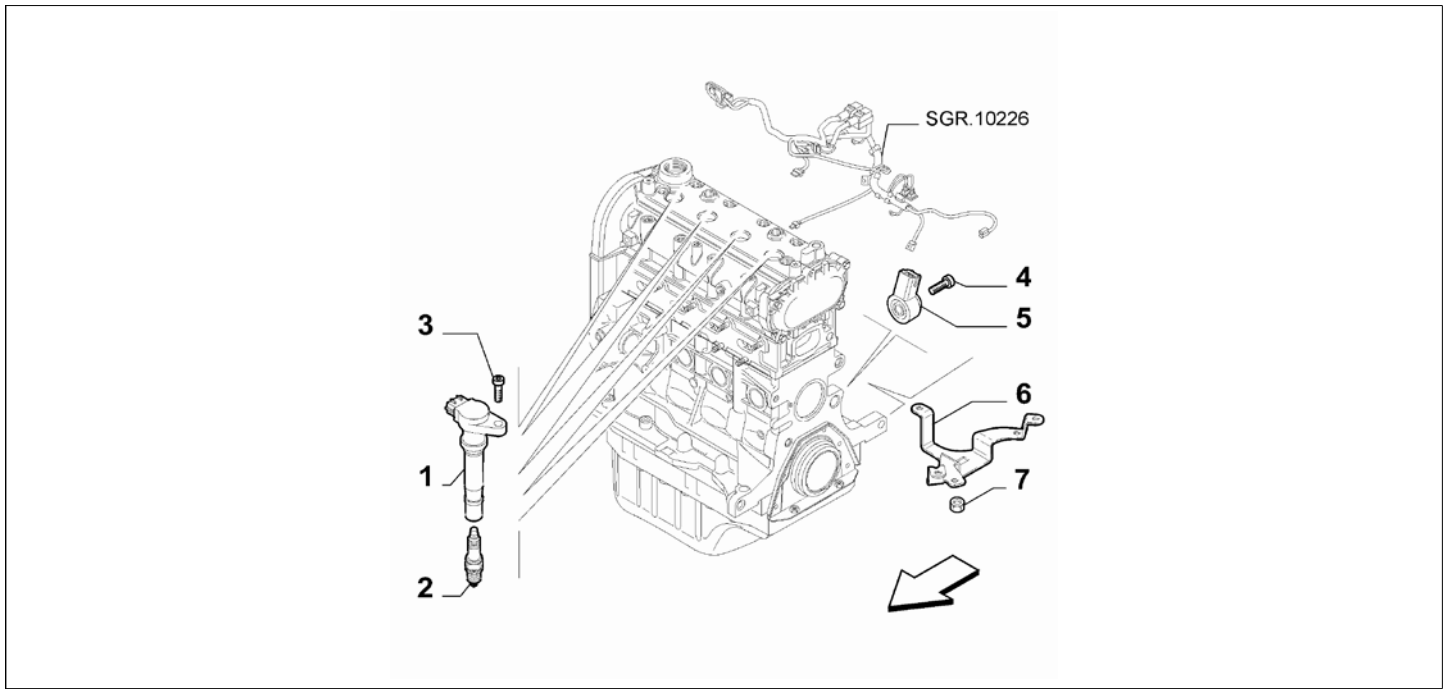
Catalogue	MITO 2011-2013	
Category	14.1 ENGINE IGNITION SYSTEM	
Var.	01	1.4 + 8V
Rev.	00	



	Part Num.	Description	Compatibility	Modif.	Qty	Notes	Col.	Reman.
1	55195775	SPARK PLUG CABLE, CIL. 1-4			2			
2	55195776	SPARK PLUG CABLE, CIL. 2-3			2			
3	55231018	BRACKET			1			
4	16285921	SCREW, M6X12			1			
5 A	55200112	COIL			1			
5 A	6000100224	COIL			1			
6	16286224	SCREW, M6X25			3			
7 A	46538111	SENDING UNIT			1			
7 A	6000100131	SENDING UNIT			1			
8	7711808	SCREW			1			
9	55190788	IGNITION PLUG			4			
10	55249001	BRACKET			1			
11	16286224	SCREW			3			
12	14040614	NUT			1			

Legend	
1.4	HORSE POWER (MARKET):1370
8V	TOTAL NUMBER OF VALVES:8 VALVES

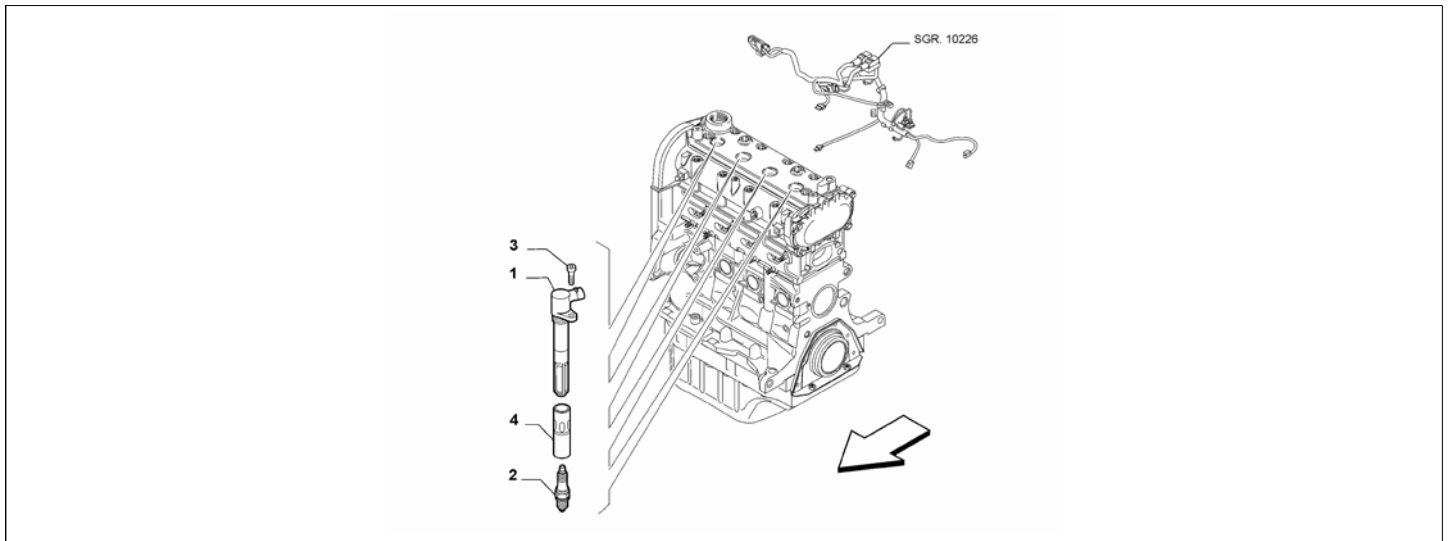
Catalogue	MITO 2011-2013	
Category	14.1 ENGINE IGNITION SYSTEM	
Var.	02	1.4 + 16V + 78HP
Rev.	00	



Part Num.	Description	Compatibility	Modif.	Qty	Notes	Col.	Reman.
1	46777288	COIL		04			
2	55190788	IGNITION PLUG, NGK		04			
3	18750624	SCREW		04			
4	7711808	SCREW		01			
5	50046873	SENDING UNIT		01			
6	55194215	BRACKET		01			
7	55192174	NUT		03			

Legend	
1.4	HORSE POWER (MARKET):1370
78HP	POWER:1.4 FIRE 8V/16V 78HP EURO5
16V	TOTAL NUMBER OF VALVES:16 VALVES

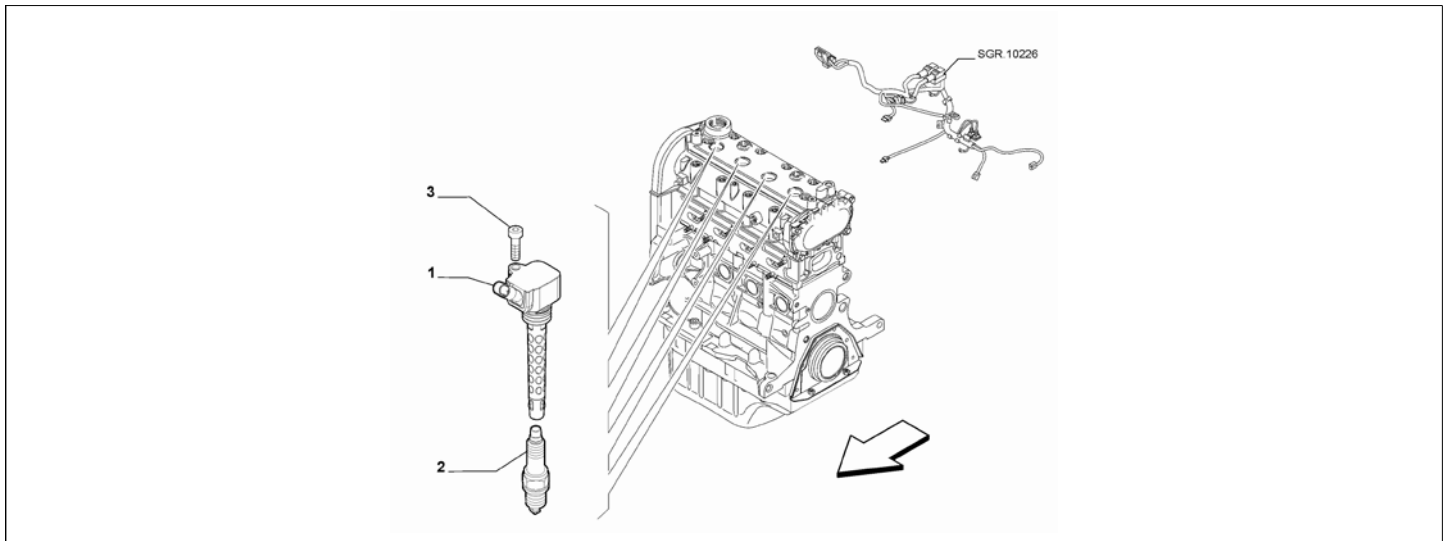
Catalogue	MITO 2011-2013	
Category	14.1 ENGINE IGNITION SYSTEM	
Var.	03	1.4 + 16V + (105HP, 135HP, 170HP)
Rev.	00	



Part Num.	Description	Compatibility	Modif.	Qty	Notes	Col.	Reman.
1	55212624 COIL	NOTURBO		4			
1	55229959 COIL	TURBO		1			
2	55188857 IGNITION PLUG	NOTURBO		4			
2	55210685 IGNITION PLUG	TURBO		4			
3	55279902 SCREW			4			
4	55219610 BUSH			4			

Legend	
NOTURBO	(ASPIRATED/TURBO):EXHAUST FAN
TURBO	(ASPIRATED/TURBO):TURBO
1.4	HORSE POWER (MARKET):1370
170HP	POWER:1.4 FIRE 16V TURBO MULTIAIR 170HP EURO 5
105HP	POWER:1.4 FIRE 16V MULTIAIR 105HP (EURO 5)
135HP	POWER:1.4 FIRE 16V TURBO MULTIAIR 135 HP EURO 5
16V	TOTAL NUMBER OF VALVES:16 VALVES

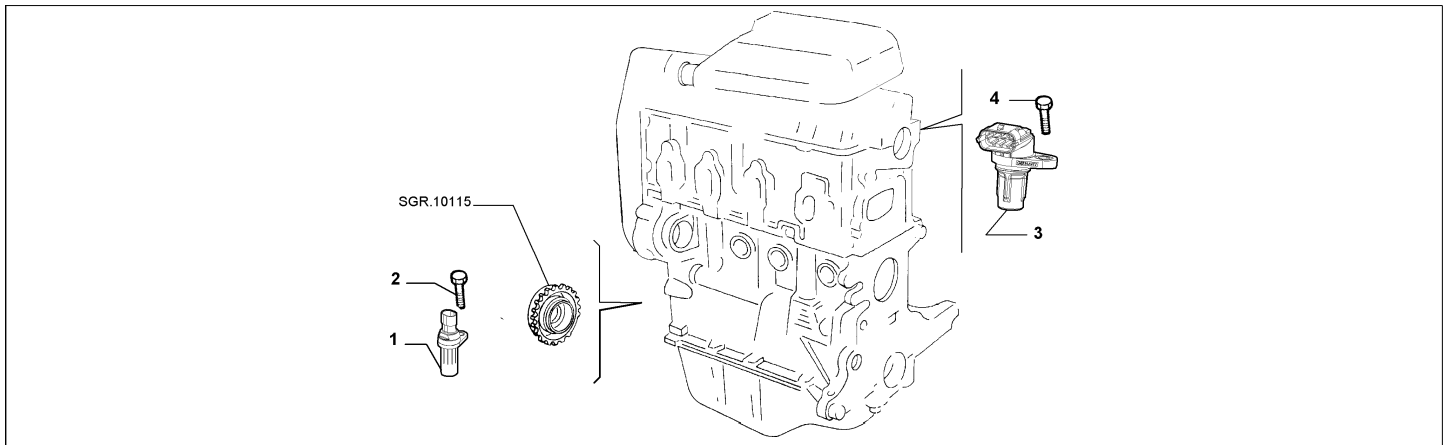
Catalogue	MITO 2011-2013	
Category	14.1 ENGINE IGNITION SYSTEM	
Var.	04	1.4 + 16V + 120HP
Rev.	00	



Part Num.	Description	Compatibility	Modif.	Qty	Notes	Col.	Reman.
1	55213613 COIL			4			
2	55210685 IGNITION PLUG, NGK			4			
3	55279902 SCREW			4			

Legend	
1.4	HORSE POWER (MARKET):1370
120HP	POWER:1.6 JTD EURO5 -1.4 FIRE TRB EURO4 120CV
16V	TOTAL NUMBER OF VALVES:16 VALVES

Catalogue	MITO 2011-2013	
Category	14.1 ENGINE IGNITION SYSTEM	
Var.	01	1.4 + 8V
Rev.	00	

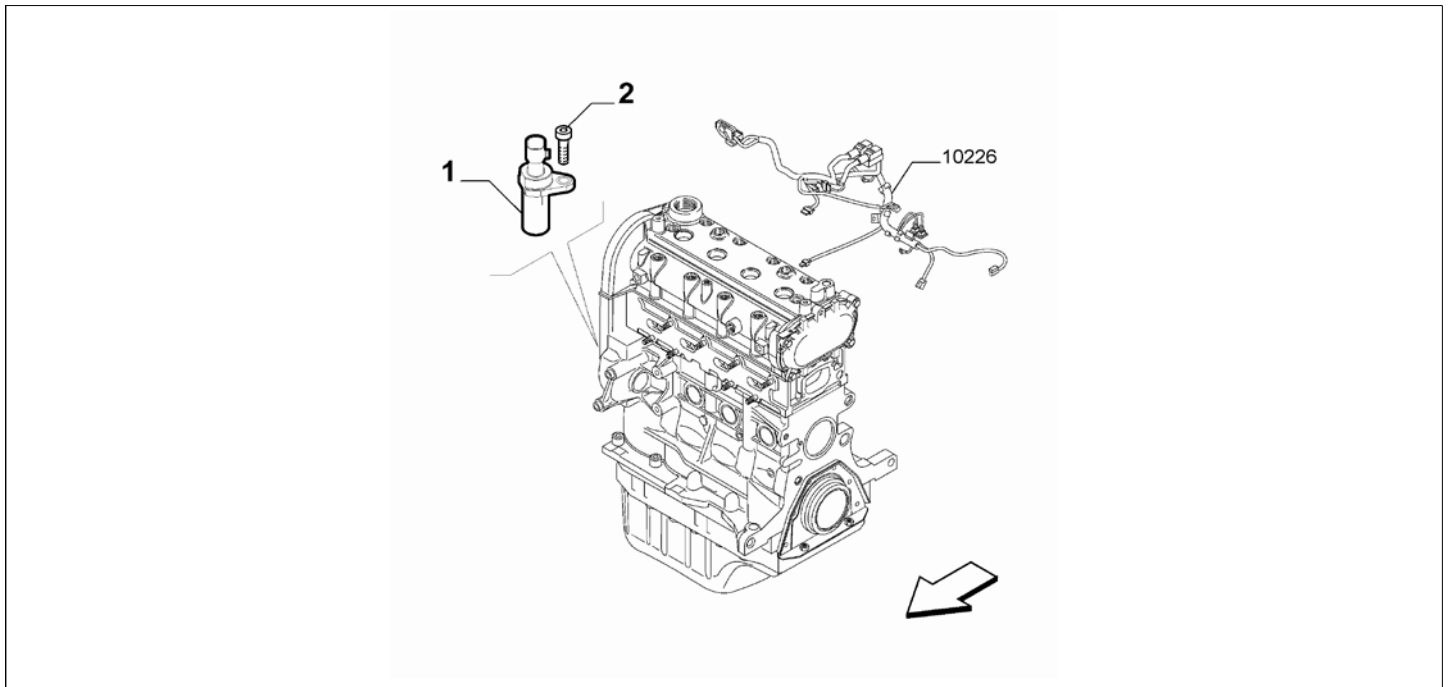


	Part Num.	Description	Compatibility	Modif.	Qty	Notes	Col.	Reman.
1	A 55267144	SENDING UNIT			1			
1	A 6000100152	SENDING UNIT			1			
2	16285921	SCREW			1			
3	A 55242637	SENDING UNIT			1			
3	A 6000100156	SENDING UNIT			1			
4	11612434	SCREW			1			

Legend	
1.4	HORSE POWER (MARKET):1370
8V	TOTAL NUMBER OF VALVES:8 VALVES



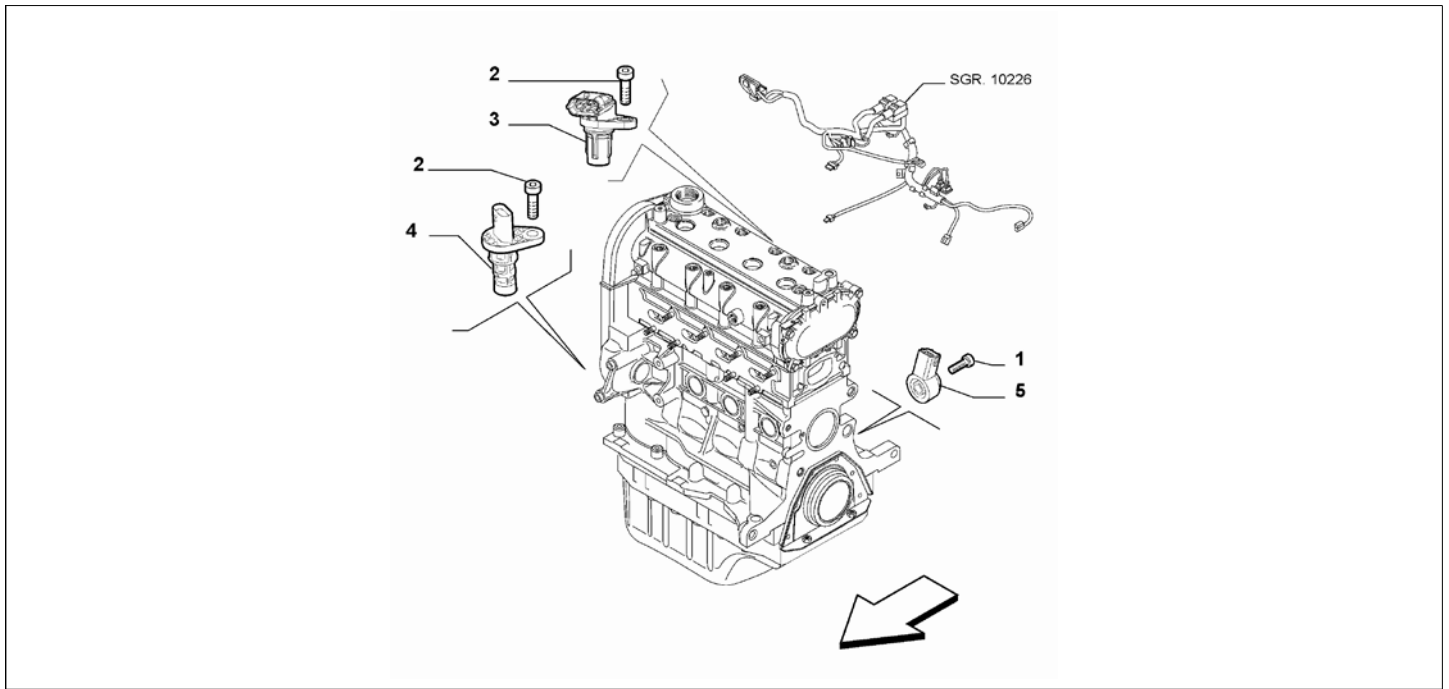
Catalogue	MITO 2011-2013	
Category	14.1 ENGINE IGNITION SYSTEM	
Var.	02	1.4 + 16V + 78HP
Rev.	00	



Part Num.	Description	Compatibility	Modif.	Qty	Notes	Col.	Reman.
1	46815160 SENDING UNIT			01			
2	11612434 SCREW			01			

Legend	
1.4	HORSE POWER (MARKET):1370
78HP	POWER:1.4 FIRE 8V/16V 78HP EURO5
16V	TOTAL NUMBER OF VALVES:16 VALVES

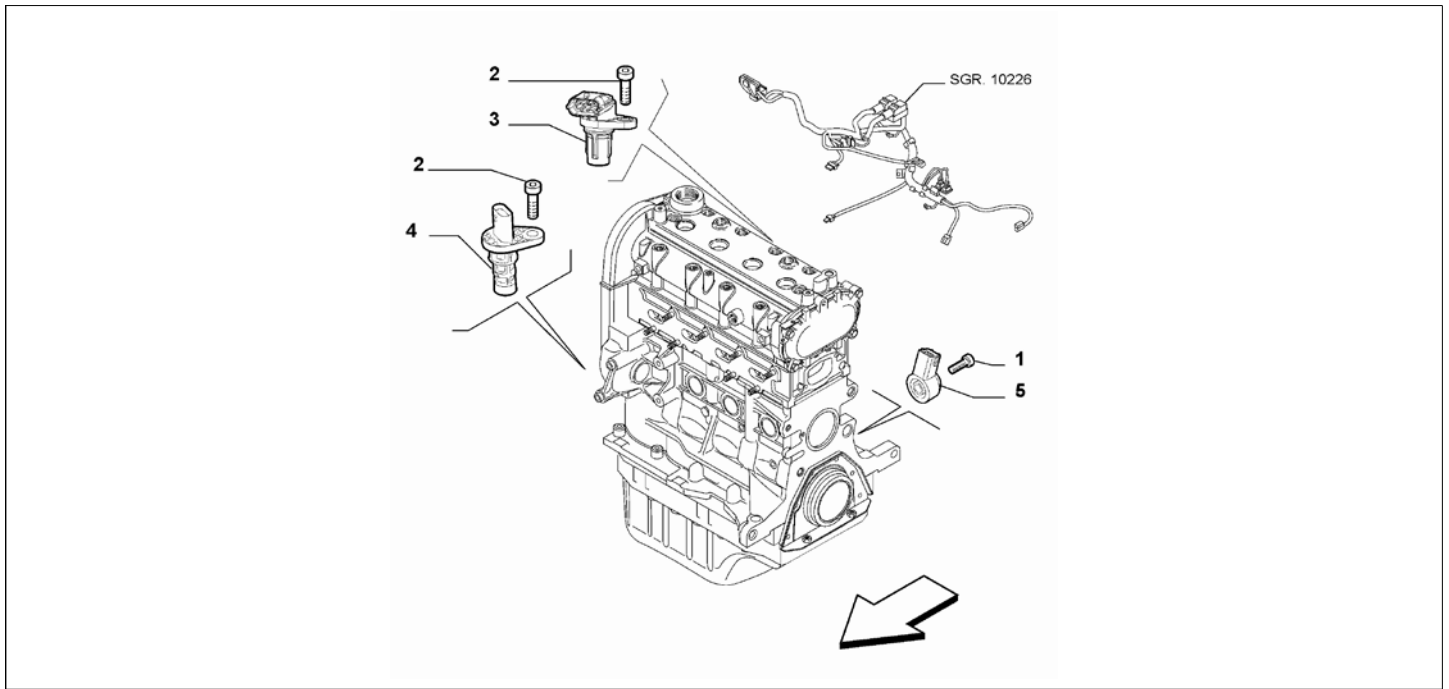
Catalogue	MITO 2011-2013	
Category	14.1 ENGINE IGNITION SYSTEM	
Var.	03	1.4 + 16V + (105HP, 135HP, 170HP)
Rev.	00	



	Part Num.	Description	Compatibility	Modif.	Qty	Notes	Col.	Reman.
1	7711808	SCREW			1			
2	11612434	SCREW			2			
3	A 55242637	SENDING UNIT			1			
3	A 6000100156	SENDING UNIT			1			
4	55239747	SENDING UNIT			1			
5	50046873	SENDING UNIT			1			

Legend	
1.4	HORSE POWER (MARKET):1370
170HP	POWER:1.4 FIRE 16V TURBO MULTIAIR 170HP EURO 5
105HP	POWER:1.4 FIRE 16V MULTIAIR 105HP (EURO 5)
135HP	POWER:1.4 FIRE 16V TURBO MULTIAIR 135 HP EURO 5
16V	TOTAL NUMBER OF VALVES:16 VALVES

Catalogue	MITO 2011-2013	
Category	14.1 ENGINE IGNITION SYSTEM	
Var.	04	1.4 + 16V + 120HP
Rev.	00	



	Part Num.	Description	Compatibility	Modif.	Qty	Notes	Col.	Reman.
1	7711808	SCREW			1			
2	11612434	SCREW			2			
3	55242637	SENDING UNIT			1			
3	6000100156	SENDING UNIT			1			
4	46815160	SENDING UNIT			1			
5	50046873	SENDING UNIT			1			

Legend	
1.4	HORSE POWER (MARKET):1370
120HP	POWER:1.6 JTD EURO5 -1.4 FIRE TRB EURO4 120CV
16V	TOTAL NUMBER OF VALVES:16 VALVES