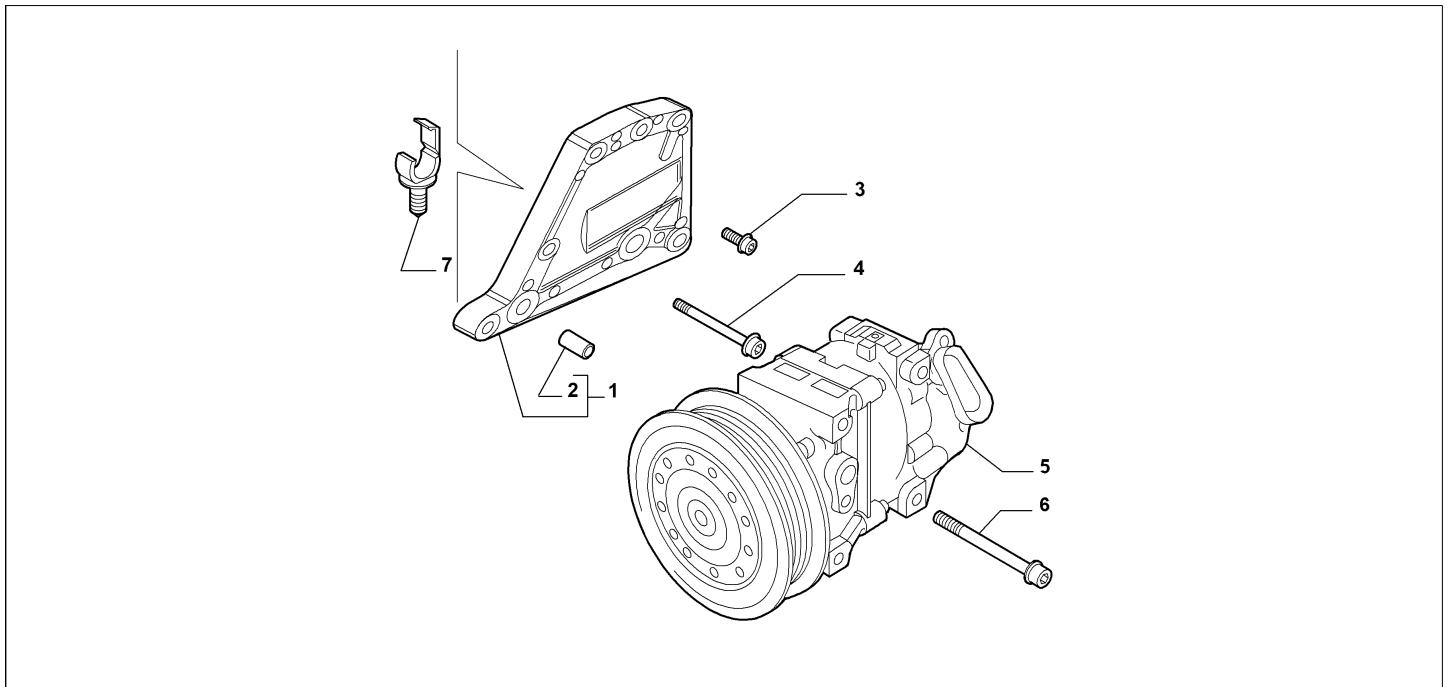


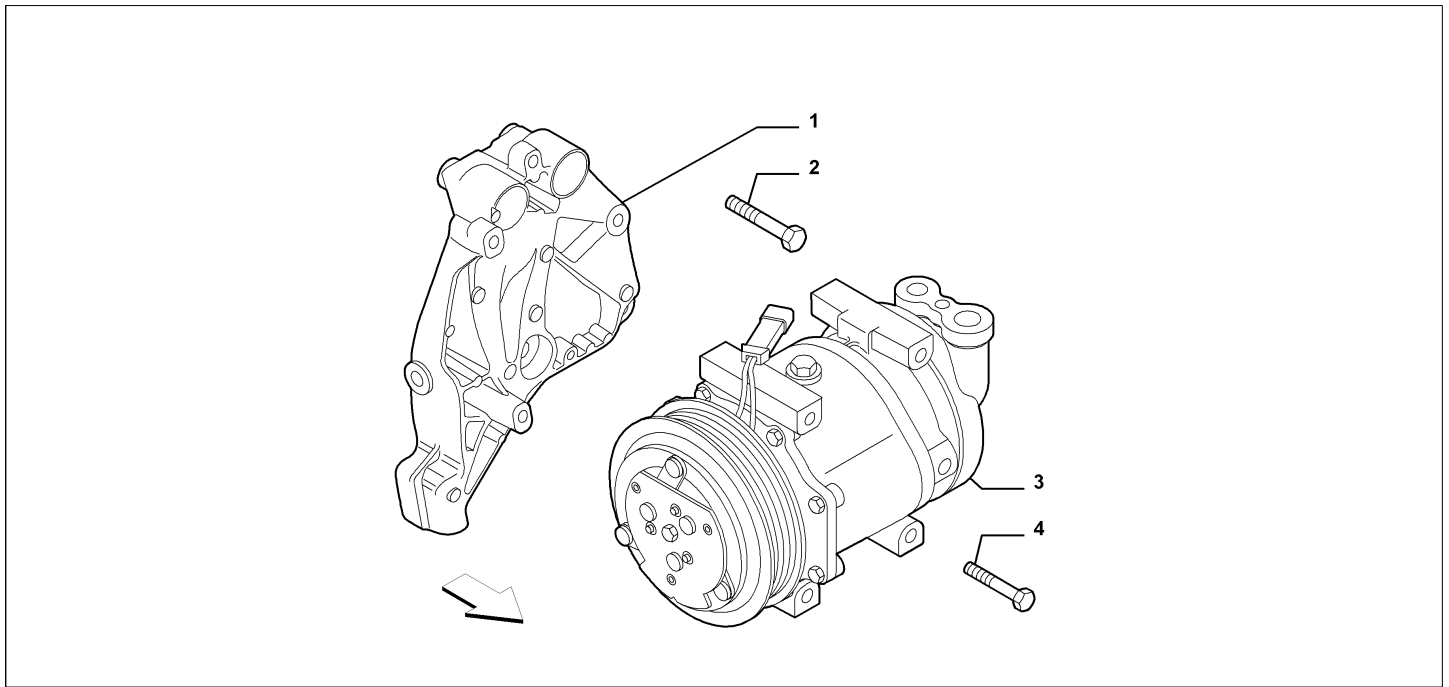
Catalogue	MITO 2011-2013	
Category	13.2 AIR CONDITIONING COMPRESSOR	
Var.	01	1.3D + DIESEL + (95HP, 85HP) + EURO5
Rev.	00	



Part Num.	Description	Compatibility	Modif.	Qty	Notes	Col.	Reman.
1	51769230 SUPPORT, COMPL			01			
2	46776158 DOWEL, 10X14			02			
3	55180045 SCREW AND WASHERASSY, M8X35			04			
4	16297124 SCREW, M10X85			02			
5	51803075 AIR COMPRESSOR			01			71792267
6	51805493 SCREW AND WASHERASSY, M8X90			03			
7	46744435 CLIP			01			

Legend	
1.3D	HORSE POWER (MARKET):1.3
DIESEL	FUEL:DIESEL
EURO5	ECOLOGY:LIM.ECC PHASE 5
85HP	POWER:1.3 SDE 85HP EURO5
95HP	POWER:1.3 SDE 95HP EURO5

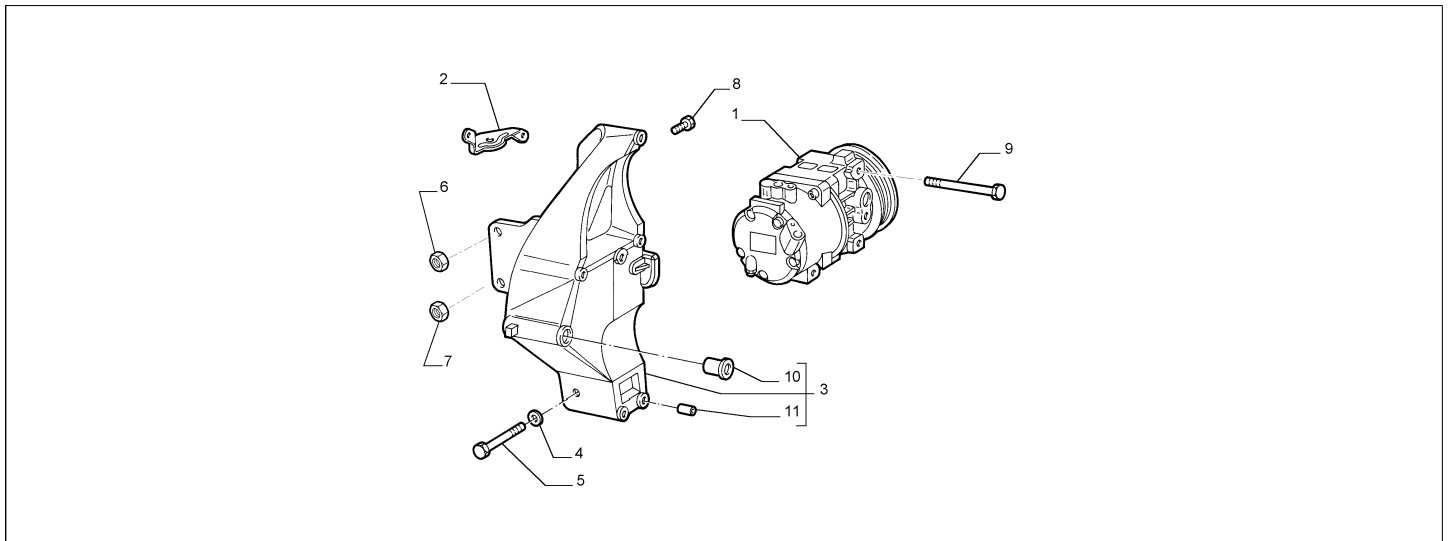
Catalogue	MITO 2011-2013	
Category	13.2 AIR CONDITIONING COMPRESSOR	
Var.	02	1.6D + DIESEL + 120HP + 025, 1.6D + DIESEL + 120HP + 140
Rev.	00	



Part Num.	Description	Compatibility	Modif.	Qty	Notes	Col.	Reman.
1	51825921 SUPPORT			01			
2	16288824 SCREW			04			
3	51820448 AIR COMPRESSOR		C15138	01			71794687
3	51897475 AIR COMPRESSOR		D15138	01			71724362
4	16297721 SCREW, M8X77			02			
4	51837749 SCREW			01			
4	12646724 PLANE WASHER			01			

Legend	
025	AIR CONDITIONER 1
140	CLIMATE CONTROL 2
1.6D	HORSE POWER (MARKET):1598
DIESEL	FUEL:DIESEL
120HP	POWER:1.6 JTD EURO5 -1.4 FIRE TRB EURO4 120CV
15138	NEW AIR CONDITIONING COMPRESSOR [TEL 1156490]

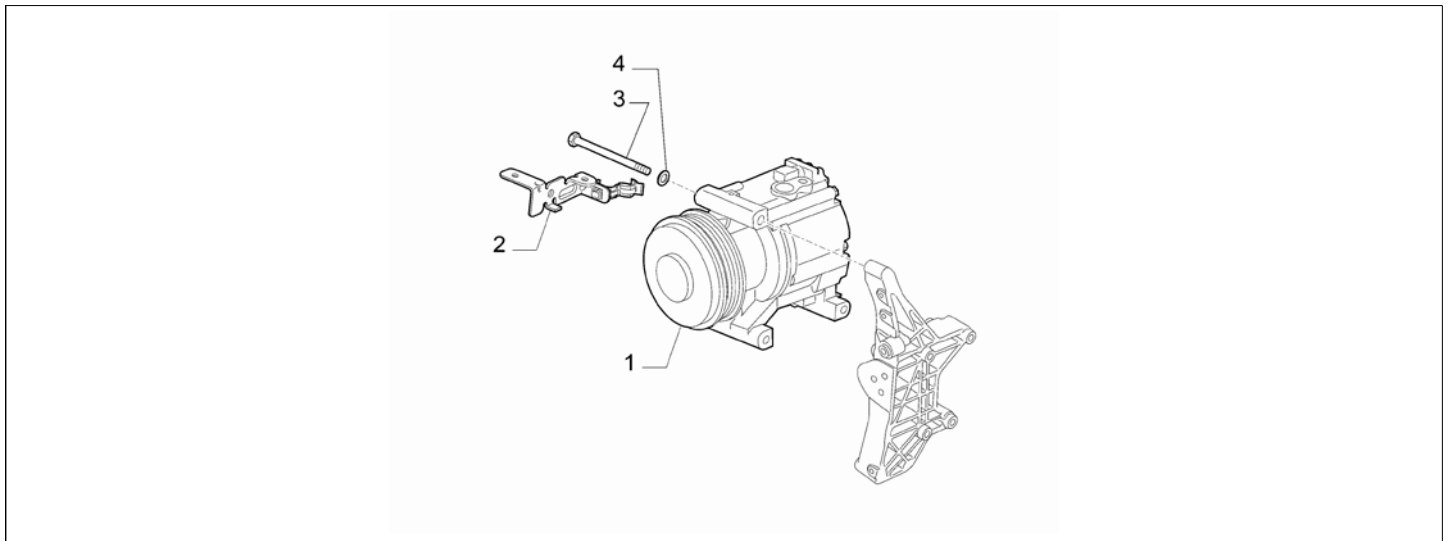
Catalogue	MITO 2011-2013	
Category	13.2 AIR CONDITIONING COMPRESSOR	
Var.	03	1.4 + (8V, 16V) + (025, 140)
Rev.	00	



	Part Num.	Description	Compatibility	Modif.	Qty	Notes	Col.	Reman.
1	71795852	AIR COMPRESSOR	NOTURBO		1			71795853
1	71724083	AIR COMPRESSOR	TURBO		1			71793959
2	55194881	BRACKET			1			
3	A 46820386	SUPPORT			1			
3	A 6000100134	SUPPORT			1			
4	14496621	PLANE WASHER			1			
5	16297124	SCREW, M10X85			1			
5	16289134	SCREW, M10X60			1			
6	14059321	NUT, M8			1			
7	14059411	NUT, M10			1			
8	11586424	SCREW, M10X35			2			
9	16297321	SCREW, M8X108			3			
10	46820382	BUSH			1			
11	46434600	BUSH			2			

Legend	
025	AIR CONDITIONER 1
140	CLIMATE CONTROL 2
NOTURBO	(ASPIRATED/TURBO):EXHAUST FAN
TURBO	(ASPIRATED/TURBO):TURBO
1.4	HORSE POWER (MARKET):1370
16V	TOTAL NUMBER OF VALVES:16 VALVES
8V	TOTAL NUMBER OF VALVES:8 VALVES

Catalogue	MITO 2011-2013	
Category	13.2 AIR CONDITIONING COMPRESSOR	
Var.	04	875CC + 85HP + TURBO + PETROL
Rev.	00	



Part Num.	Description	Compatibility	Modif.	Qty	Notes	Col.	Reman.
1	51935564 AIR COMPRESSOR	025, 140	C15959	1			
1	51939001 AIR COMPRESSOR	025, 140	D15959	1			
2	55194881 BRACKET	025, 140		1			
3	16297321 SCREW	025, 140		3			
4	14496524 PLANE WASHER	025, 140		3			

Legend	
025	AIR CONDITIONER 1
140	CLIMATE CONTROL 2
TURBO	(ASPIRATED/TURBO):TURBO
875CC	HORSE POWER (MARKET):875
PETROL	FUEL:PETROL
85HP	POWER:1.3 SDE 85HP EURO5
15959	introduction of new air conditioning compressor [DAT 26/10/2012]