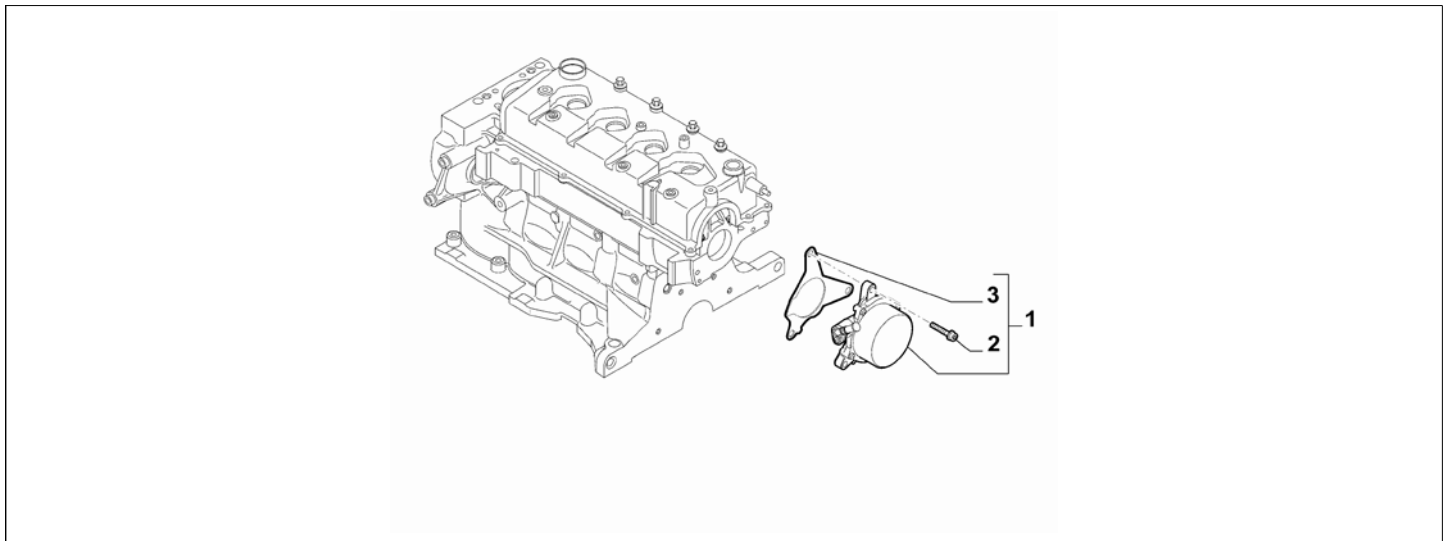


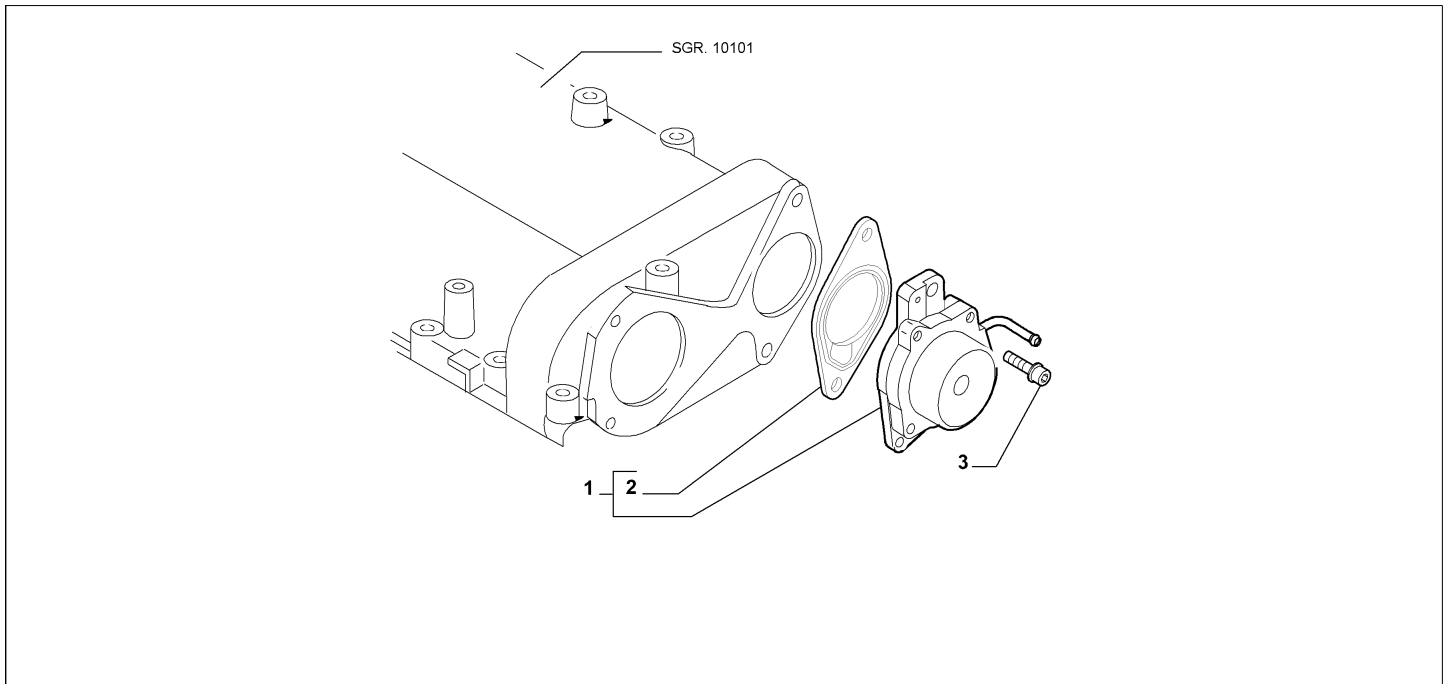
Catalogue	MITO 2008-2011	
Category	9.3 BRAKE VACUUM SYSTEM	
Var.	01	105HP, 135HP, 170HP
Rev.	00	



Part Num.	Description	Compatibility	Modif.	Qty	Notes	Col.	Reman.
1	55221559 VACUUM PUMP			1			
2	73502574 SCREW AND WASHER ASSY			3			
3	55233645 SEAL GASKET			1			

Legend	
170HP	POWER:1.4 FIRE 16V TURBO MULTIAIR 170HP EURO 5
105HP	POWER:1.4 FIRE 16V MULTIAIR 105HP (EURO 5)
135HP	POWER:1.4 FIRE 16V TURBO MULTIAIR 135 HP EURO 5

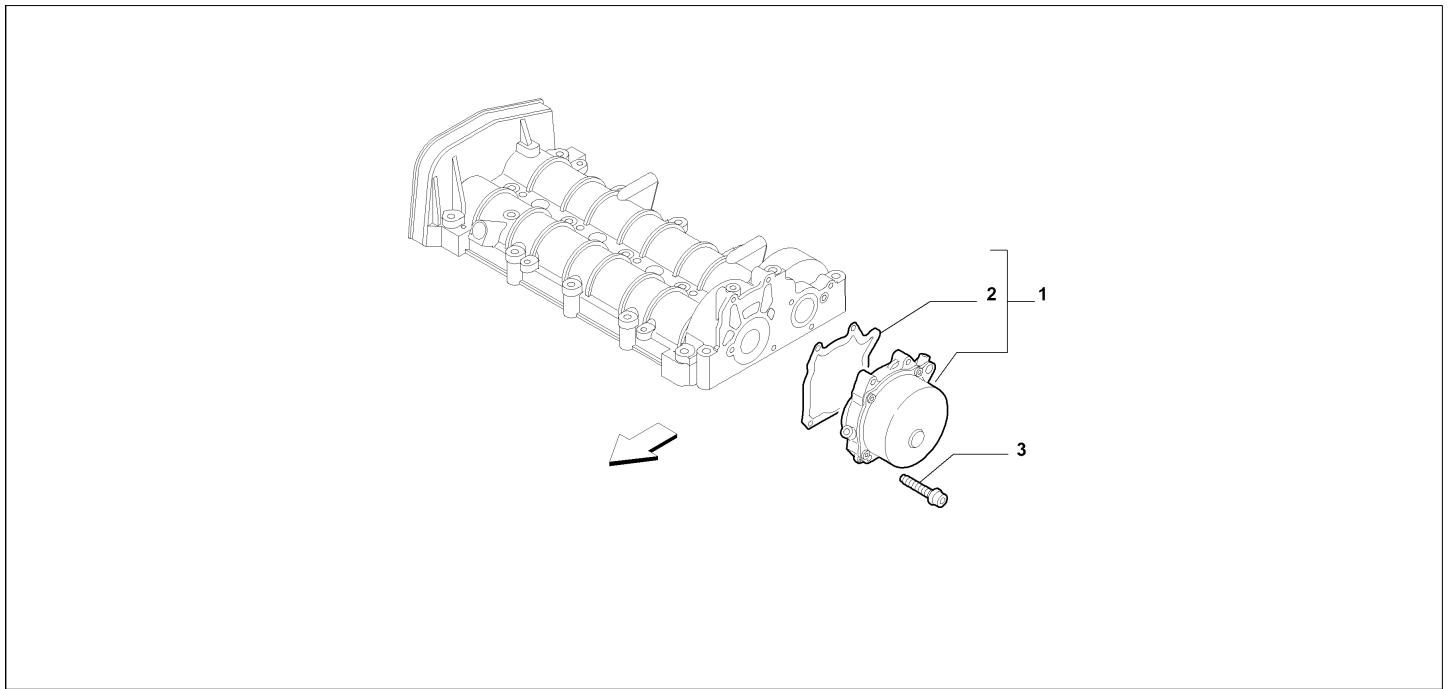
Catalogue	MITO 2008-2011	
Category	9.3 BRAKE VACUUM SYSTEM	
Var.	01	1.3D + DIESEL + 90HP + EURO4
Rev.	00	



Part Num.	Description	Compatibility	Modif.	Qty	Notes	Col.	Reman.
1	55268636 VACUUM PUMP, COMPL			01			
2	71778655 SEAL GASKET			01			
3	73502591 SCREW, M8X22			02			

Legend	
1.3D	HORSE POWER (MARKET):1.3
DIESEL	FUEL:DIESEL
EURO4	ECOLOGY:EEC LIM. STAGE 4
90HP	POWER:1.3 SDE 90HP EURO4

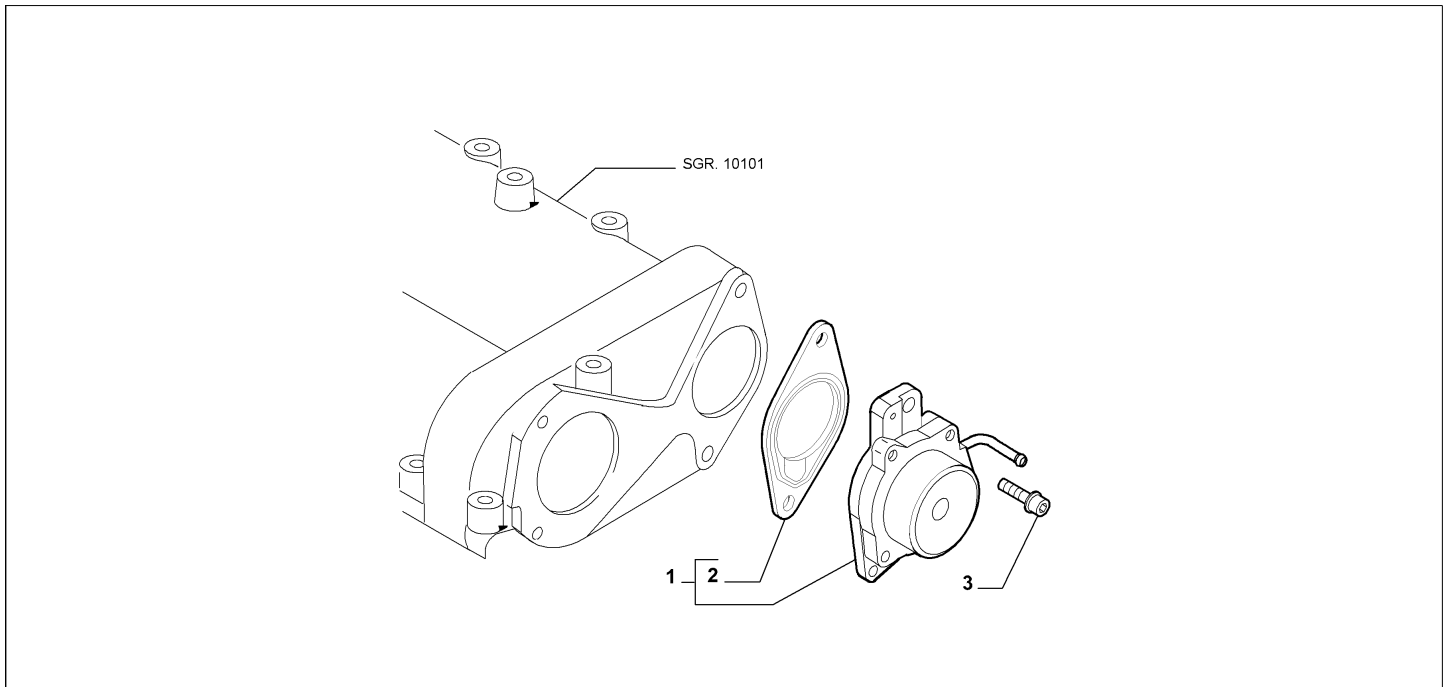
Catalogue	MITO 2008-2011	
Category	9.3 BRAKE VACUUM SYSTEM	
Var.	01	1.6D
Rev.	00	



Part Num.	Description	Compatibility	Modif.	Qty	Notes	Col.	Reman.
1	55269802 VACUUM PUMP			01			
2	71779194 SEAL GASKET			01			
3	55184920 SCREW, M6X35			04			

Legend	
1.6D	HORSE POWER (MARKET):1598

Catalogue	MITO 2008-2011	
Category	9.3 BRAKE VACUUM SYSTEM	
Var.	01	1.3D + DIESEL + (95HP, 85HP) + EURO5
Rev.	00	



Part Num.	Description	Compatibility	Modif.	Qty	Notes	Col.	Reman.
1	55268636 VACUUM PUMP, COMPL			01			
2	71778655 SEAL GASKET			01			
3	73502591 SCREW, M8X22			02			

Legend	
1.3D	HORSE POWER (MARKET):1.3
DIESEL	FUEL:DIESEL
EURO5	ECOLOGY:LIM.ECC PHASE 5
85HP	POWER:1.3 SDE 85HP EURO5
95HP	POWER:95HP