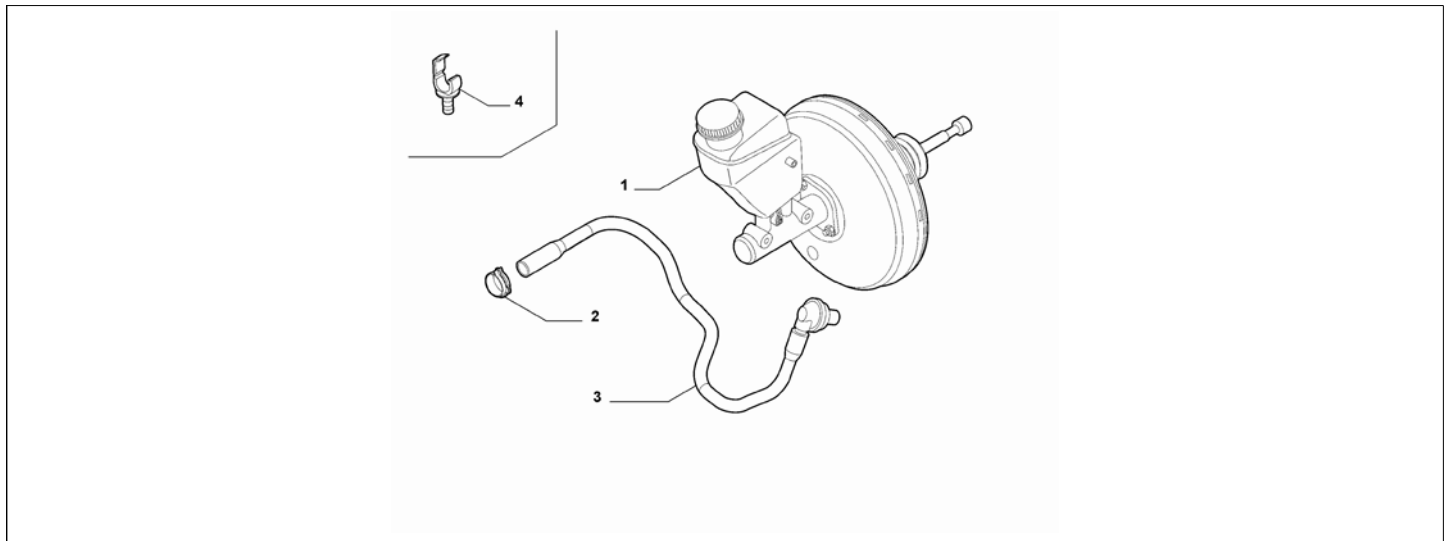


Catalogue	MITO 2008-2011	
Category	9.2 BRAKE HYDRAULIC SYSTEM	
Var.	01	LHD
Rev.	00	

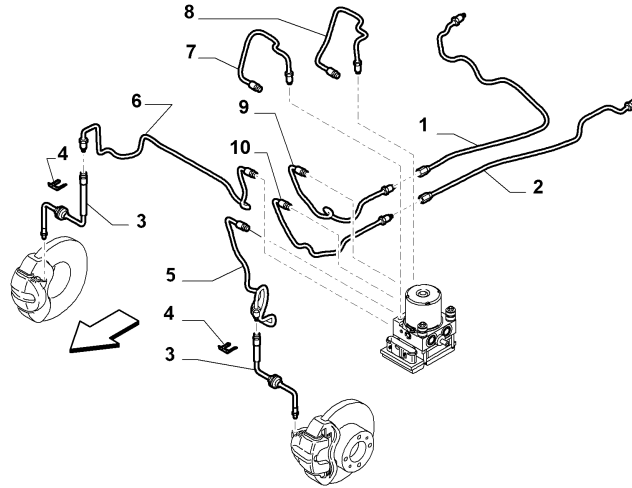


Part Num.	Description	Compatibility	Modif.	Qty	Notes	Col.	Reman.
1	51837274	POWER BRAKE	(1.3D, 1.4, 1.6D)+TURBO+ITCT	C14098	01	ONLY PARTS ARE SUPPLIED	
1	51878454	POWER BRAKE	(1.3D, 1.4, 1.6D)+TURBO+ITCT	D14098, C14433	01	ONLY PARTS ARE SUPPLIED	
1	51878454	POWER BRAKE	(1.3D, 1.4, 1.6D)+TURBO+ITCT+052	D14433	01	ONLY PARTS ARE SUPPLIED	
1	51892497	POWER BRAKE	(1.3D, 1.4, 1.6D)+TURBO+ITCT+052	D14433	01	ONLY PARTS ARE SUPPLIED	
1	51837271	POWER BRAKE	NOTURBO	C14098	01		
1	51878451	POWER BRAKE	NOTURBO	D14098, C14433	01		
1	51878451	POWER BRAKE	NOTURBO+052	D14433	01		
1	51879776	POWER BRAKE	NOTURBO+052	D14433	01		
1	50516454	POWER BRAKE	TCT		1		
2	13125270	COLLAR			01		
3	50514962	HOSE	NOTURBO+IS/S		1		
3	51796023	HOSE	PCC510+IS/S		1		
3	51796564	HOSE	1.4+PCC544		1		
3	50510528	HOSE	1.6D+IS/S		1		
3	51785737	HOSE	1.3D+PCC544		1		
3	51846429	HOSE	NOTURBO+S/S	C14409	1		
3	51892253	HOSE	NOTURBO+S/S	D14409	1		
3	50519442	HOSE	135HP	C14409	1		
3	50521044	HOSE	135HP	D14409	1		
3	50515597	HOSE	170HP	C14409	1		
3	51892254	HOSE	170HP	D14409	1		
3	50520348	HOSE	1.6D+PCC635	C14409	1		
3	51892257	HOSE	1.6D+PCC635	D14409	1		
3	51873743	HOSE	1.3D+PCC510	C14409	1		
3	51892256	HOSE	1.3D+PCC510	D14409	1		
4	46804425	CLIP			01		

Legend	
052	BAS - BRAKE ASSISTANCE SYSTEM
TCT	SPECIFIC GEARBOX
S/S	STOP&START
NOTURBO	(ASPIRATED/TURBO):EXHAUST FAN

TURBO	(ASPIRATED/TURBO):TURBO
1.3D	HORSE POWER (MARKET):1.3
1.4	HORSE POWER (MARKET):1370
1.6D	HORSE POWER (MARKET):1598
LHD	STEERING:LEFT
170HP	POWER:1.4 FIRE 16V TURBO MULTIAIR 170HP EURO 5
135HP	POWER:1.4 FIRE 16V TURBO MULTIAIR 135 HP EURO 5
PCC510	GEARBOX DESIGN:GEARBOX
PCC544	GEARBOX DESIGN:GEARBOX 20/28 KGM (M20/M28 3H)
PCC635	GEARBOX DESIGN:GEARBOX 35 KGM
14098	NEW POWER UNITS [DAT 26/02/2010]
14409	NEW BRAKE SERVO VACUUM PIPE [DAT 01/10/2010]
14433	NEW POWER UNIT [DAT 26/11/2010]

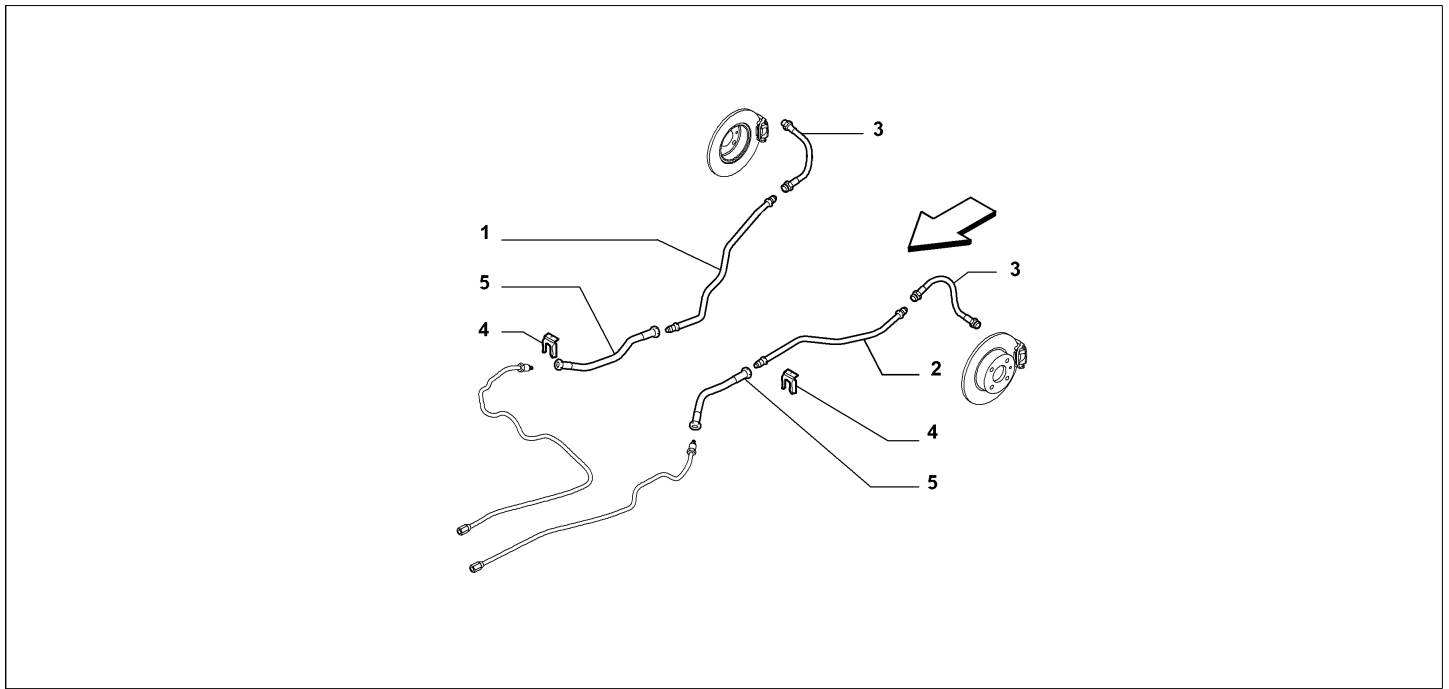
Catalogue	MITO 2008-2011	
Category	9.2 BRAKE HYDRAULIC SYSTEM	
Var.	02	LHD
Rev.	00	



Part Num.	Description	Compatibility	Modif.	Qty	Notes	Col.	Reman.
1	51818736 PIPE, RH			01			
2	55700093 PIPE, LH			01			
3	51980402 PIPE	1.3D, 1.6D		2			
3	51980402 PIPE	78HP, 105HP, 1.4+120HP, 135HP		2			
3	51805325 HOSE	155HP, 170HP		2			
4	994922 CLIP			02			
5	55700096 PIPE, LH			01			
6	55700109 PIPE, RH			01			
7	51855954 PIPE	!392+S/S		1			
7	51855954 PIPE	!392+S/S		1			
7	51855955 PIPE	392+S/S		1			
7	51855955 PIPE	392+S/S		1			
8	55700101 PIPE	!392		1			
8	51796558 PIPE	392		1			
9	55700103 PIPE, RH			01			
10	55700106 PIPE, LH			01			

Legend	
392	VEHICLE DYNAMIC CONTROL (VDC)
S/S	STOP&START
1.3D	HORSE POWER (MARKET):1.3
1.4	HORSE POWER (MARKET):1370
1.6D	HORSE POWER (MARKET):1598
LHD	STEERING:LEFT
155HP	POWER:1.4 FIRE 16V TURBO 155HP (EURO 5)
170HP	POWER:1.4 FIRE 16V TURBO MULTIAIR 170HP EURO 5
78HP	POWER:1.4 FIRE 16V 78HP EURO5
105HP	POWER:1.4 FIRE 16V MULTIAIR 105HP (EURO 5)
120HP	POWER:120HP
135HP	POWER:1.4 FIRE 16V TURBO MULTIAIR 135 HP EURO 5

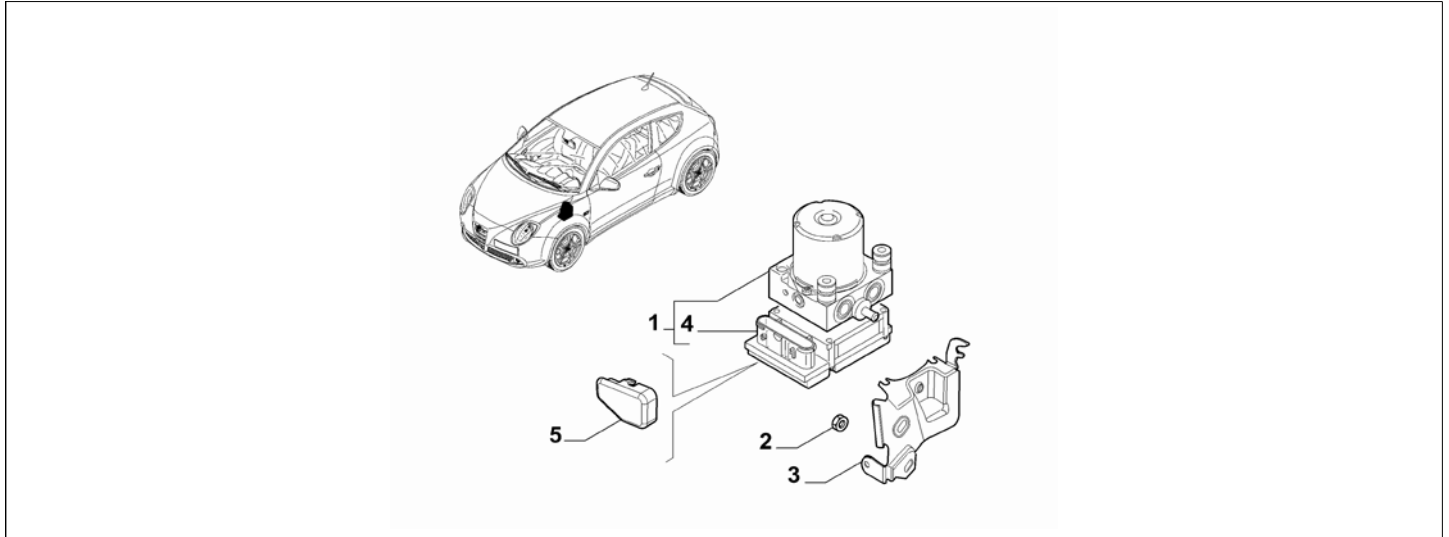
Catalogue	MITO 2008-2011	
Category	9.2 BRAKE HYDRAULIC SYSTEM	
Var.	03	LHD
Rev.	00	



Part Num.	Description	Compatibility	Modif.	Qty	Notes	Col.	Reman.
1	55700118 PIPE, RH			01			
2	55700119 PIPE, LH			01			
3	55700975 PIPE			02			
4	994922 CLIP			02			
5	55701046 PIPE			02			

Legend	
LHD	STEERING:LEFT

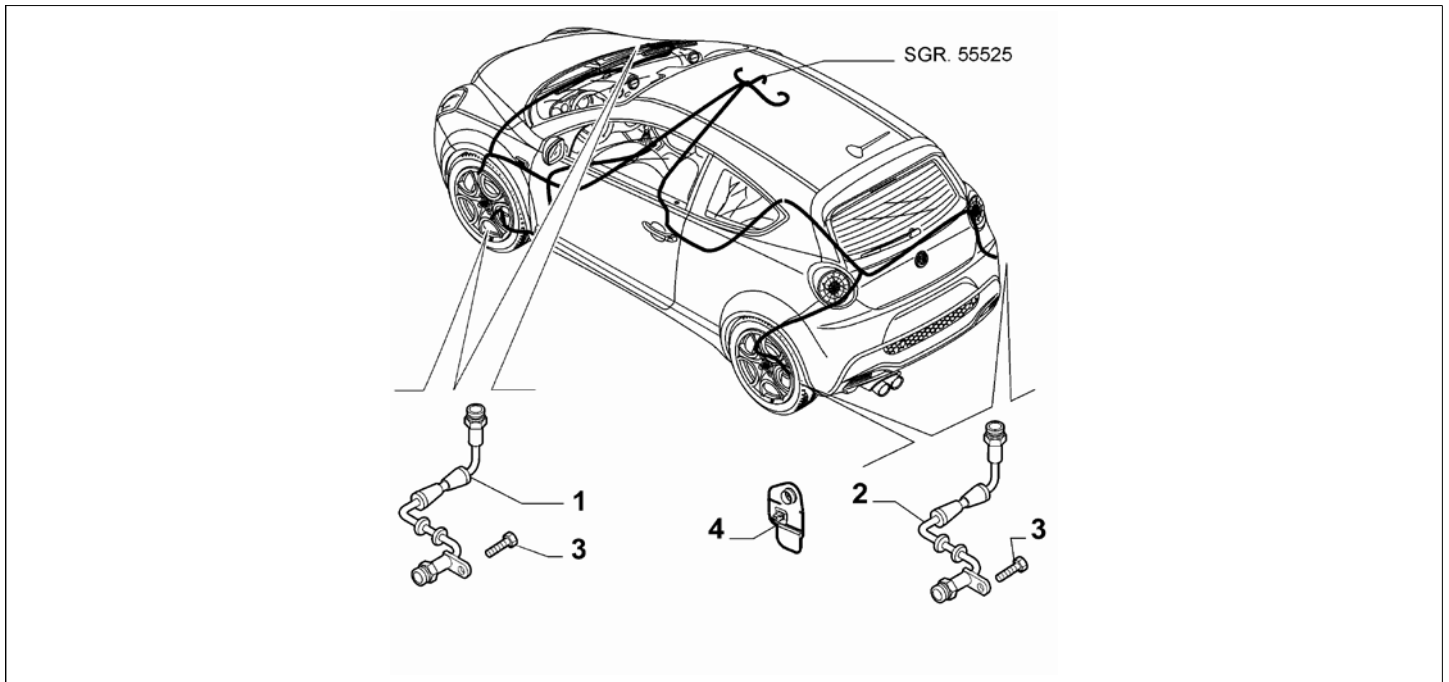
Catalogue	MITO 2008-2011	
Category	9.2 BRAKE HYDRAULIC SYSTEM	
Var.	04	LHD
Rev.	00	



Part Num.	Description	Compatibility	Modif.	Qty	Notes	Col.	Reman.
1	71749934	PUMP	!392+(1.6D, 1.4+78HP)				
1	71749680	PUMP	392+(1.6D, 78HP, 95HP, 155HP)	C13251			
1	71752941	PUMP	392+(1.6D, 78HP, 95HP, 155HP)	D13251			
1	71752941	PUMP	392+78HP, 1.4+120HP, 90HP				
1	71752941	PUMP	392+95HP				
1	71752941	PUMP	105HP, 135HP, 170HP				
2	13046224	NUT, M8					05
3	51841909	BRACKET	!392				1
3	51841910	BRACKET	392				1
4	71749935	ELECTRONIC CONTROL UNIT	!392+(1.6D, 1.4+78HP)				01
4	71749681	ELECTRONIC CONTROL UNIT	392+(1.6D, 78HP, 95HP, 155HP)	C13251			01
4	71752942	ELECTRONIC CONTROL UNIT	392+(1.6D, 78HP, 95HP, 155HP)	D13251			01
4	71752942	ELECTRONIC CONTROL UNIT	392+78HP, 1.4+120HP, 90HP				01
4	71752942	ELECTRONIC CONTROL UNIT	392+95HP				01
4	71752942	ELECTRONIC CONTROL UNIT	105HP, 135HP, 170HP				01
5	50518301	PROTECTION					1

Legend	
392	VEHICLE DYNAMIC CONTROL (VDC)
1.4	HORSE POWER (MARKET):1370
1.6D	HORSE POWER (MARKET):1598
LHD	STEERING:LEFT
155HP	POWER:1.4 FIRE 16V TURBO 155HP (EURO 5)
170HP	POWER:1.4 FIRE 16V TURBO MULTIAIR 170HP EURO 5
78HP	POWER:1.4 FIRE 16V 78HP EURO5
90HP	POWER:1.3 SDE 90HP EURO4
95HP	POWER:95HP
105HP	POWER:1.4 FIRE 16V MULTIAIR 105HP (EURO 5)
120HP	POWER:120HP
135HP	POWER:1.4 FIRE 16V TURBO MULTIAIR 135 HP EURO 5
13251	NOW INCLUDED ON ALL VERSIONS [TEL 1022807]

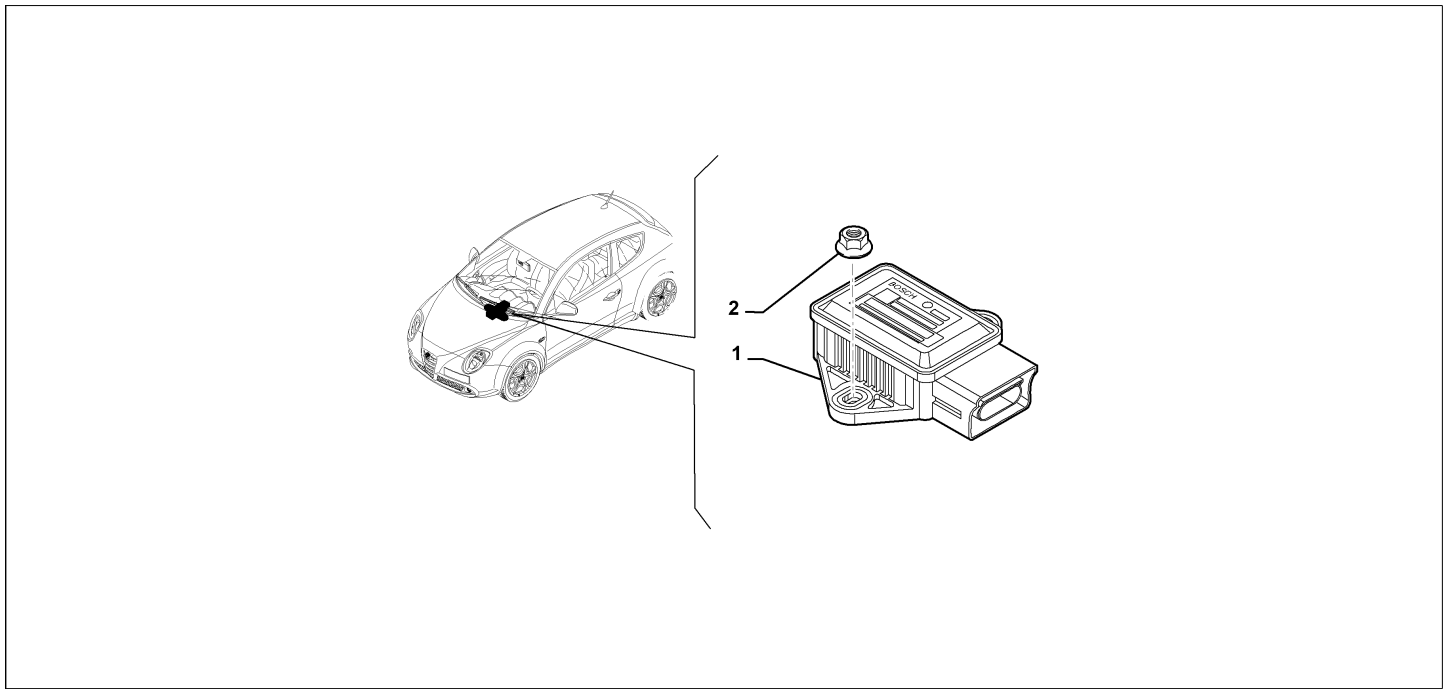
Catalogue	MITO 2008-2011	
Category	9.2 BRAKE HYDRAULIC SYSTEM	
Var.	05	LHD
Rev.	00	



Part Num.	Description	Compatibility	Modif.	Qty	Notes	Col.	Reman.
1	52070362 SENDING UNIT, ANTER.			02			
2	52070363 SENDING UNIT, REAR			02			
3	11567924 SCREW, M6X16			04			
4	51867883 BRACKET, RIGHT			1			
4	51867884 BRACKET, LEFT			1			

Legend	
LHD	STEERING:LEFT

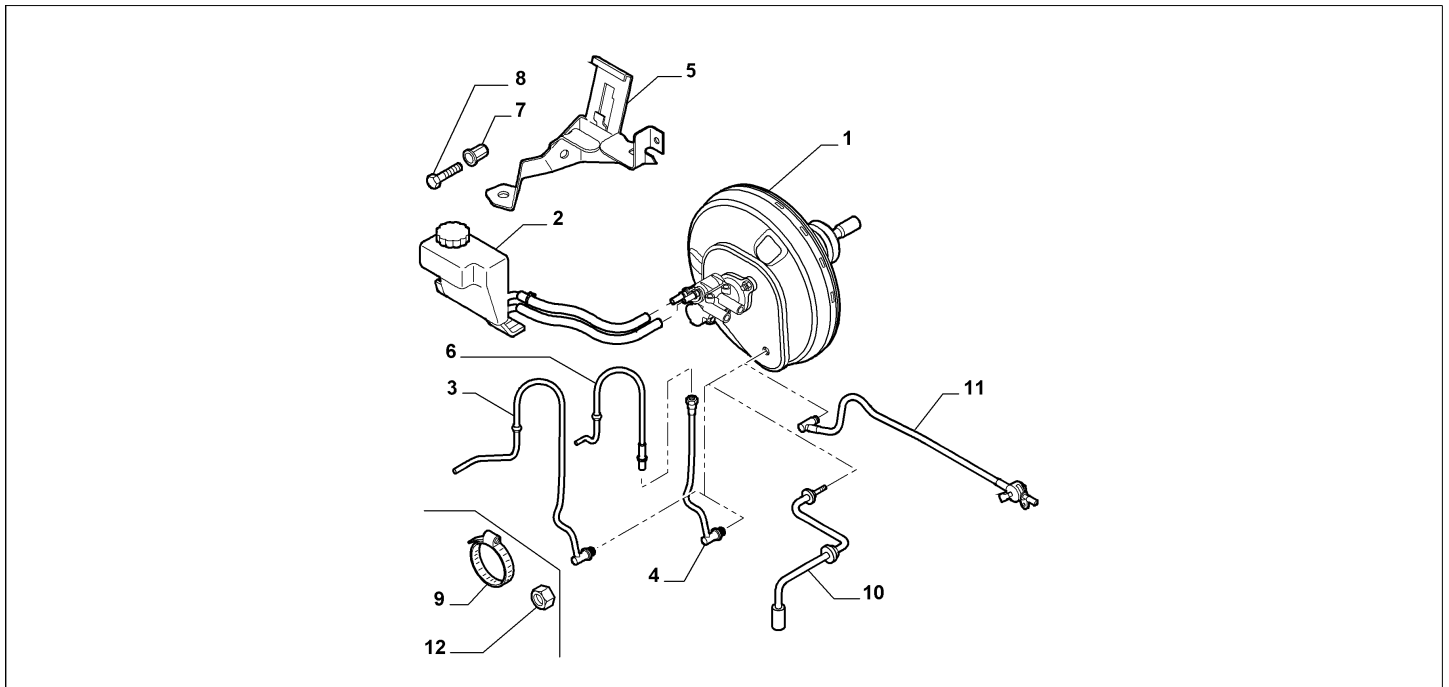
Catalogue	MITO 2008-2011	
Category	9.2 BRAKE HYDRAULIC SYSTEM	
Var.	06	LHD
Rev.	00	



Part Num.	Description	Compatibility	Modif.	Qty	Notes	Col.	Reman.
1	51904961 SENDING UNIT, ANTIMBARDATA	392		1			
2	13046121 NUT, M6	392		03			

Legend	
392	VEHICLE DYNAMIC CONTROL (VDC)
LHD	STEERING:LEFT

Catalogue	MITO 2008-2011	
Category	9.2 BRAKE HYDRAULIC SYSTEM	
Var.	01	RHD
Rev.	00	

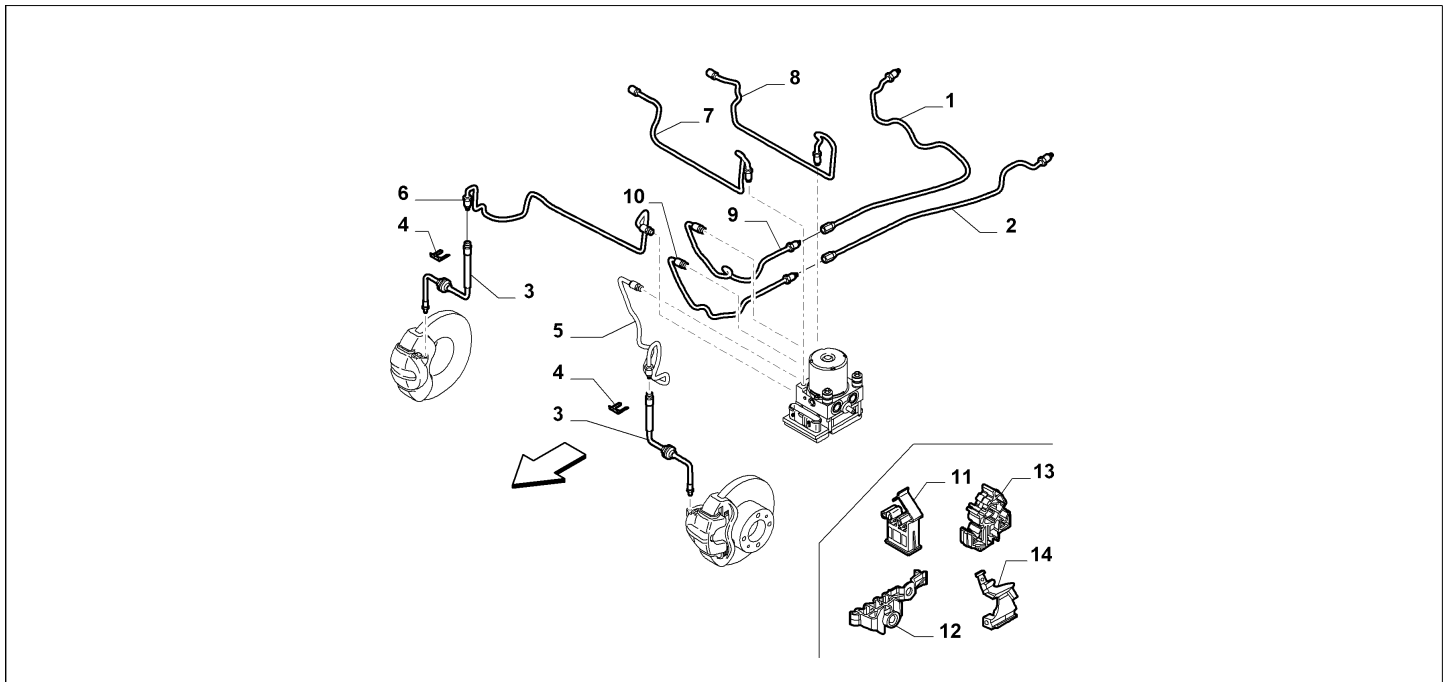


Part Num.	Description	Compatibility	Modif.	Qty	Notes	Col.	Reman.
1	51837276	POWER BRAKE	NOTURBO+392+I4CS	C14064	1	ONLY PARTS ARE SUPPLIED	
1	51878456	POWER BRAKE	NOTURBO+392+I4CS	D14064	1		
1	51837287	POWER BRAKE	1.4+I392+I4CS	C14064	1	ONLY PARTS ARE SUPPLIED	
1	51878458	POWER BRAKE	1.4+I392+I4CS	D14064	1		
1	51878456	POWER BRAKE	NOTURBO+392+4CS		1		
1	51878455	POWER BRAKE	1.3D+392+I4CS, 1.4+TURBO+ITCT+I4CS		1		
1	51878457	POWER BRAKE	1.3D+I392+I4CS, 1.4+TURBO+RHD+ITCT+I392+I4CS		1		
1	51878455	POWER BRAKE	1.3D+392+4CS, 1.4+TURBO+ITCT+4CS		1		
1	51878455	POWER BRAKE	1.6D+I4CS		1		
1	51878455	POWER BRAKE	1.6D+4CS		1		
1	51878455	POWER BRAKE	TCT+I4CS		1		
1	51878455	POWER BRAKE	TCT+4CS		1		
2	55701377	TANK	ITCT		1		
2	55703065	TANK	TCT		1		
3	51785739	HOSE	1.3D+PCC544		1		
3	51834790	HOSE	1.6D+IS/S		1		
4	55702503	HOSE	1.4+120HP		1		
4	51855944	HOSE	1.6D+S/S		1		
4	50520333	HOSE	170HP		1		
4	51848268	HOSE	78HP		1		
4	50517673	HOSE	155HP		1		
5	55701378	BRACKET	NOTURBO		1		
5	55701378	BRACKET	1.6D		1		
5	55703597	BRACKET	1.4+TURBO		1		
5	55703597	BRACKET	1.3D		1		
6	51789447	HOSE	78HP		01		
6	50520333	HOSE	135HP		01		
6	51796028	HOSE	1.4+120HP		1		
6	51855935	HOSE	105HP		1		

6	51855941	HOSE	95HP		1		
7	16286124	SCREW, M6X20			01		
8	15624411	RIVET, M6X16			01		
9	13126170	COLLAR, DIAM 20			01		
9	13431870	COLLAR, DIAM 14			04		
10	51796566	HOSE	155HP	C13415	01		
10	50517673	HOSE	155HP, 135HP	D13415	01		
11	51855929	HOSE	S/S	C14409	01		
11	51892258	HOSE	S/S	D14409	01		
12	14059211	NUT	S/S		02		

Legend	
TCT	SPECIFIC GEARBOX
392	VEHICLE DYNAMIC CONTROL (VDC)
4CS	EXTRA SERIES 1 PEDAL UNIT
S/S	STOP&START
NOTURBO	(ASPIRATED/TURBO):EXHAUST FAN
TURBO	(ASPIRATED/TURBO):TURBO
1.3D	HORSE POWER (MARKET):1.3
1.4	HORSE POWER (MARKET):1370
1.6D	HORSE POWER (MARKET):1598
RHD	STEERING:RIGHT
155HP	POWER:1.4 FIRE 16V TURBO 155HP (EURO 5)
170HP	POWER:1.4 FIRE 16V TURBO MULTIAIR 170HP EURO 5
78HP	POWER:1.4 FIRE 16V 78HP EURO5
95HP	POWER:95HP
105HP	POWER:1.4 FIRE 16V MULTIAIR 105HP (EURO 5)
120HP	POWER:120HP
135HP	POWER:1.4 FIRE 16V TURBO MULTIAIR 135 HP EURO 5
PCC544	GEARBOX DESIGN:GEARBOX 20/28 KGM (M20/M28 3H)
13415	DEPRESSION PIPE ADOPTION WITH EXPANSION CHAMBER VALVE [DAT 15/09/2009]
14064	New power brakes_x000D_ [DAT 31/12/2010]
14409	NEW BRAKE SERVO VACUUM PIPE [DAT 01/10/2010]

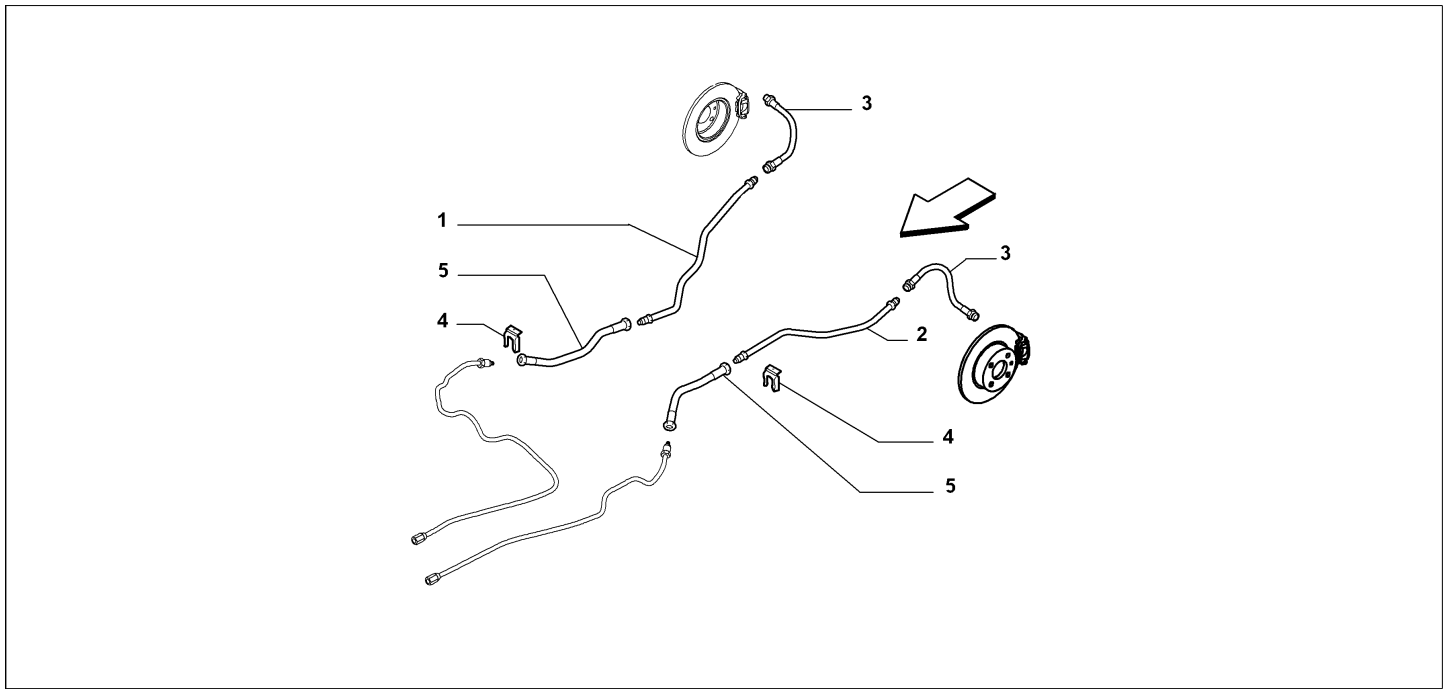
Catalogue	MITO 2008-2011	
Category	9.2 BRAKE HYDRAULIC SYSTEM	
Var.	02	RHD
Rev.	00	



Part Num.	Description	Compatibility	Modif.	Qty	Notes	Col.	Reman.
1	51818736	PIPE, RH		01			
2	55700093	PIPE, LH		01			
3	51980402	PIPE		02			
4	994922	CLIP		02			
5	55700096	PIPE, LH		01			
6	55701042	PIPE, RH		01			
7	55701043	PIPE	!392	1			
7	55701044	PIPE	392	1			
8	55701040	PIPE	!392	1			
8	55701041	PIPE	392	1			
9	55700103	PIPE, RH		01			
10	55700106	PIPE, LH		01			
11	46805109	CLIP		02			
12	55703117	CLIP		04			
13	55703118	CLIP		01			
14	55703119	CLIP		01			

Legend	
392	VEHICLE DYNAMIC CONTROL (VDC)
RHD	STEERING:RIGHT

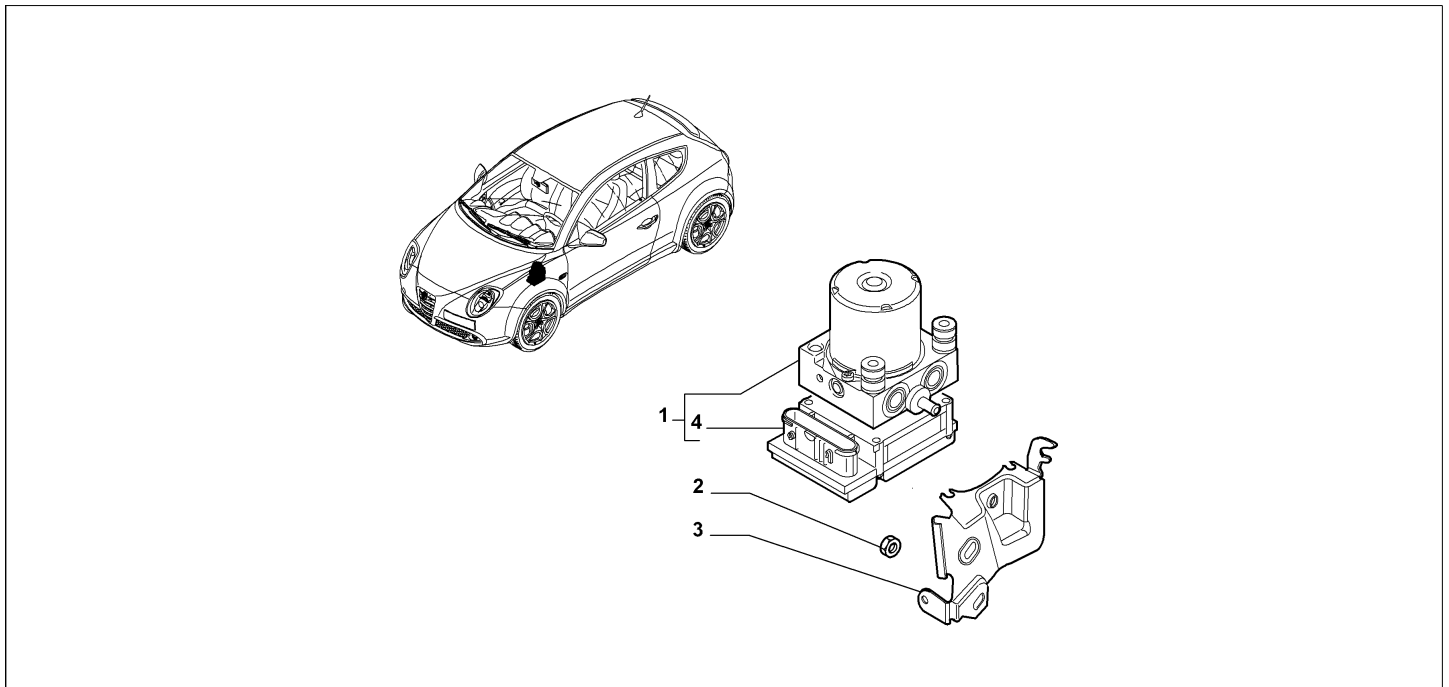
Catalogue	MITO 2008-2011	
Category	9.2 BRAKE HYDRAULIC SYSTEM	
Var.	03	RHD
Rev.	00	



Part Num.	Description	Compatibility	Modif.	Qty	Notes	Col.	Reman.
1	55700118 PIPE, RH			01			
2	55700119 PIPE, LH			01			
3	55700975 PIPE, C/F DISCO			02			
4	994922 CLIP			02			
5	55701046 PIPE			02			

Legend	
RHD	STEERING:RIGHT

Catalogue	MITO 2008-2011	
Category	9.2 BRAKE HYDRAULIC SYSTEM	
Var.	04	RHD
Rev.	00	



Part Num.	Description	Compatibility	Modif.	Qty	Notes	Col.	Reman.
1	71749934	PUMP	009	C14167	01		
1	71749680	PUMP	392+(155HP, 1.6D)	C13251	01		
1	71752941	PUMP	392+(155HP, 1.6D)	D13251, C14167	01		
1	71752941	PUMP	392+78HP, 1.4+120HP, 90HP	C14167	01		
1	71752941	PUMP	392+95HP	C14167	01		
1	71752941	PUMP	105HP, 135HP, 170HP	C14167	01		
1	71754029	PUMP	009+!(TCT+392)	D14167	01		
1	71754701	PUMP	392	D14167	01		
2	13046224	NUT, M8			05		
3	51841909	BRACKET	!392		1		
3	51841910	BRACKET	392		1		
4	71749935	ELECTRONIC CONTROL UNIT	009	C14167	01		
4	71749681	ELECTRONIC CONTROL UNIT	392+(155HP, 1.6D)	C13251	01		
4	71752942	ELECTRONIC CONTROL UNIT	392+(155HP, 1.6D)	D13251, C14167	01		
4	71752942	ELECTRONIC CONTROL UNIT	392+78HP, 1.4+120HP, 90HP	C14167	01		
4	71752942	ELECTRONIC CONTROL UNIT	392+95HP	C14167	01		
4	71752942	ELECTRONIC CONTROL UNIT	105HP, 135HP, 170HP	C14167	01		
4	71754030	ELECTRONIC CONTROL UNIT	009+!(TCT+392)	D14167	01		
4	71754702	ELECTRONIC CONTROL UNIT	392	D14167	01		

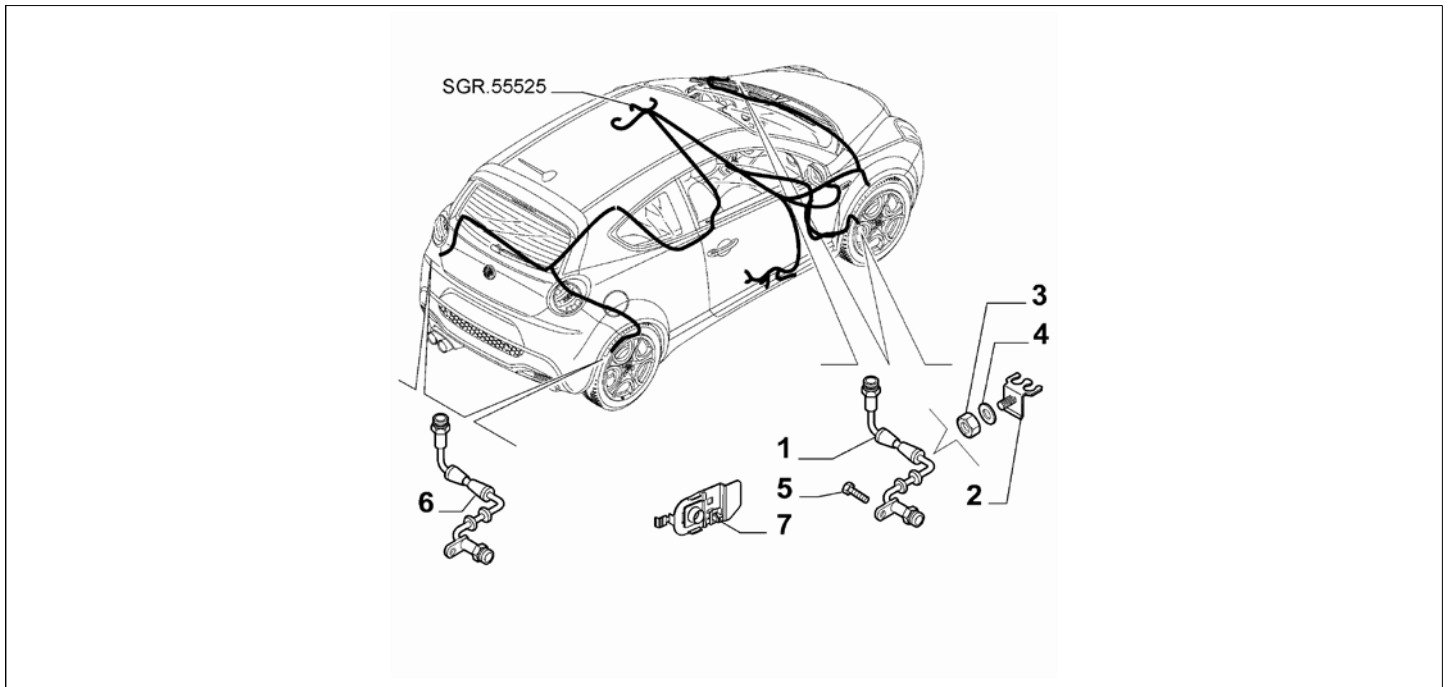
Legend	
009	ABS
TCT	SPECIFIC GEARBOX
392	VEHICLE DYNAMIC CONTROL (VDC)
1.4	HORSE POWER (MARKET):1370
1.6D	HORSE POWER (MARKET):1598
RHD	STEERING:RIGHT
155HP	POWER:1.4 FIRE 16V TURBO 155HP (EURO 5)

MiTo 2008-2011



170HP	POWER:1.4 FIRE 16V TURBO MULTIAIR 170HP EURO 5
78HP	POWER:1.4 FIRE 16V 78HP EURO5
90HP	POWER:1.3 SDE 90HP EURO4
95HP	POWER:95HP
105HP	POWER:1.4 FIRE 16V MULTIAIR 105HP (EURO 5)
120HP	POWER:120HP
135HP	POWER:1.4 FIRE 16V TURBO MULTIAIR 135 HP EURO 5
13251	NOW INCLUDED ON ALL VERSIONS [TEL 1022807]
14167	ABS PUMPS STANDARDIZATION [DAT 26/03/2010]

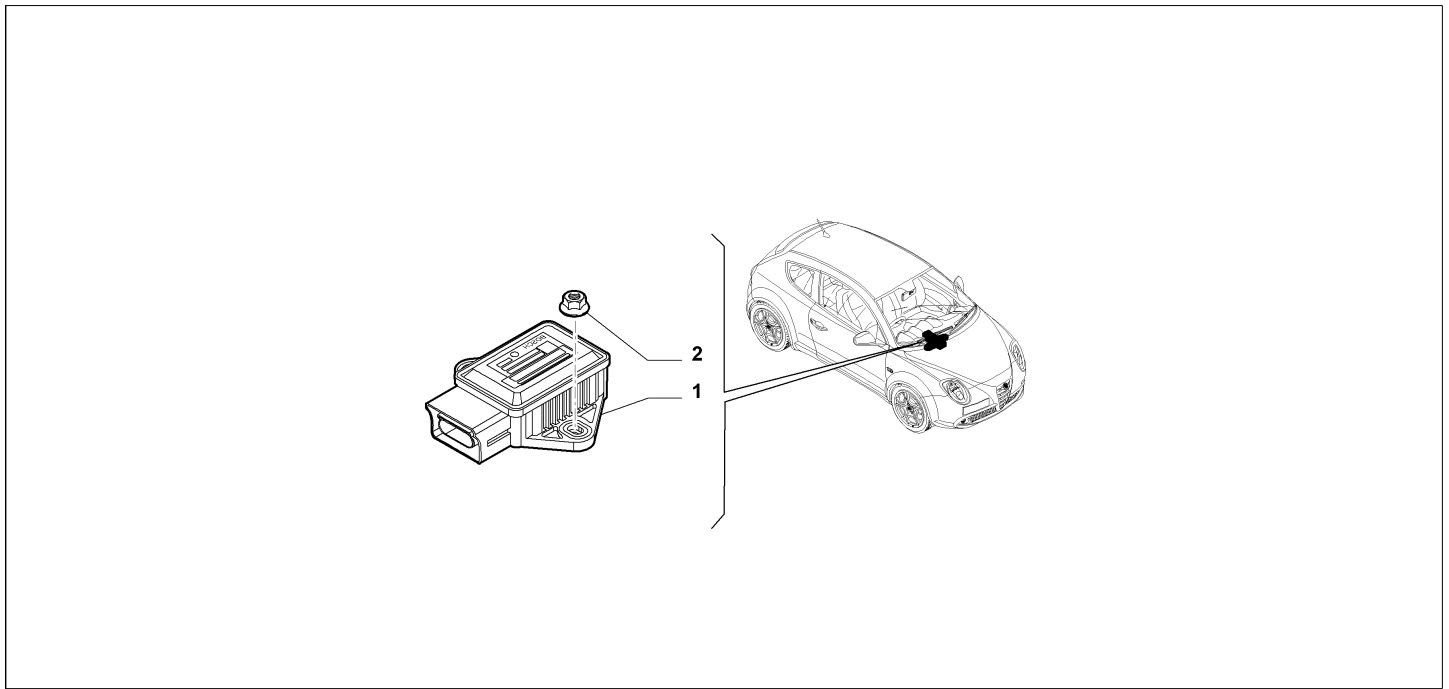
Catalogue	MITO 2008-2011	
Category	9.2 BRAKE HYDRAULIC SYSTEM	
Var.	05	RHD
Rev.	00	



Part Num.	Description	Compatibility	Modif.	Qty	Notes	Col.	Reman.
1	52070362 SENDING UNIT, ANTER.			02			
2	46453999 BRACKET			02			
3	14040614 NUT, M6			02			
4	51712823 PLANE WASHER			02			
5	11567924 SCREW, M6X16			02			
6	52070363 SENDING UNIT, POST C/F DISCO			02			
7	51867883 BRACKET, RIGHT			1			
7	51867884 BRACKET, LEFT			1			

Legend	
RHD	STEERING:RIGHT

Catalogue	MITO 2008-2011	
Category	9.2 BRAKE HYDRAULIC SYSTEM	
Var.	06	RHD
Rev.	00	



Part Num.	Description	Compatibility	Modif.	Qty	Notes	Col.	Reman.
1	51904961 SENDING UNIT, ANTIMBARDATA	392		01			
2	13046121 NUT, M6	392		03			

Legend	
392	VEHICLE DYNAMIC CONTROL (VDC)
RHD	STEERING:RIGHT