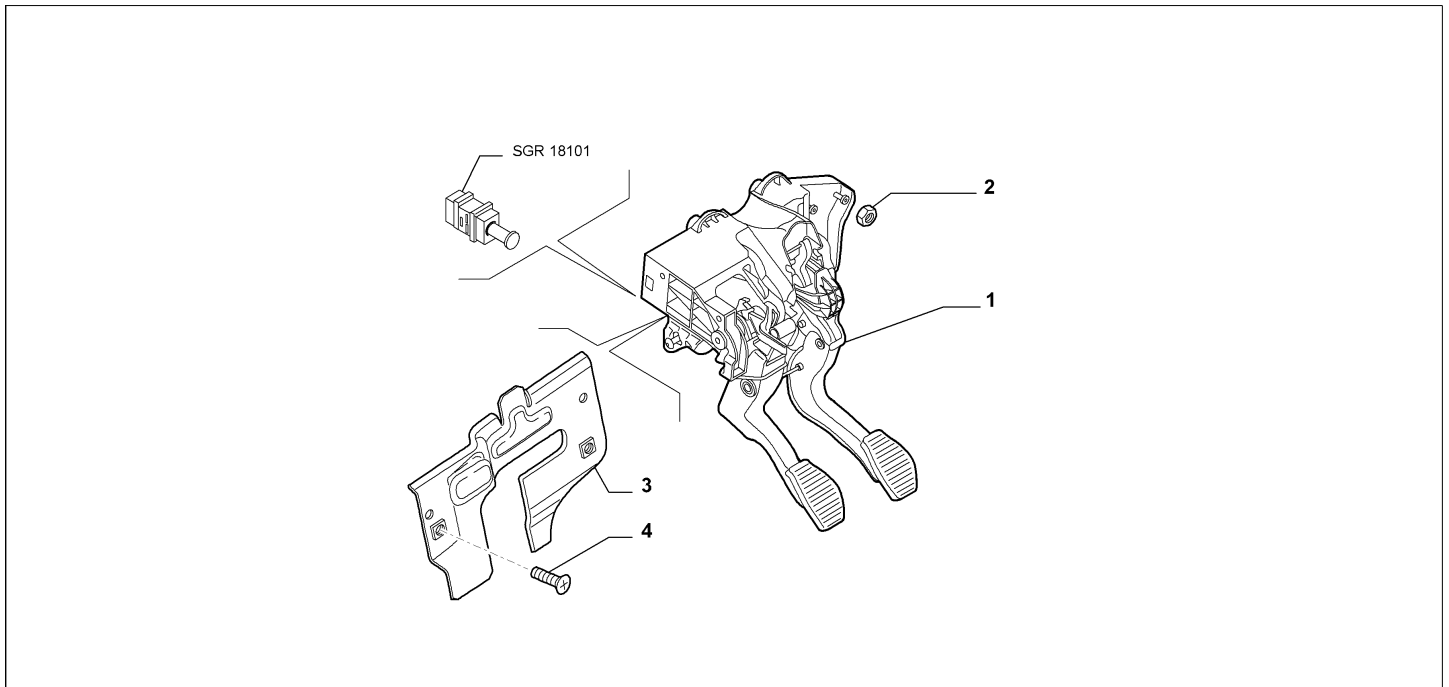


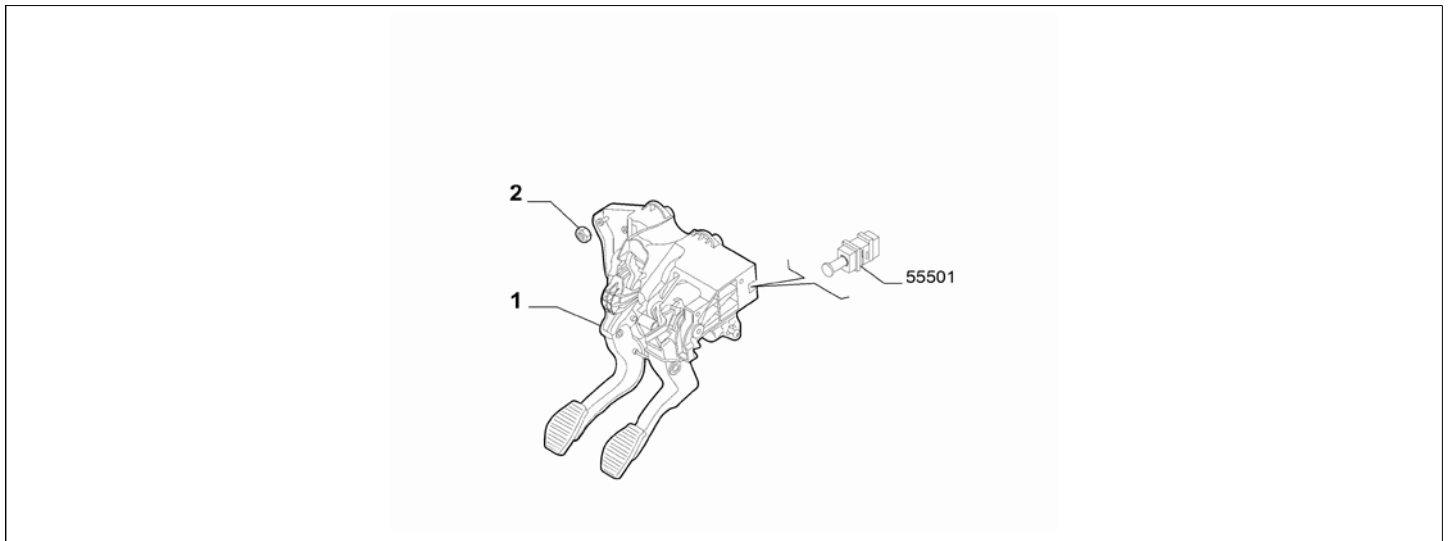
Catalogue	MITO 2008-2011	
Category	9.1 FOOT BRAKE CONTROL	
Var.	01	LHD
Rev.	00	



Part Num.	Description	Compatibility	Modif.	Qty	Notes	Col.	Reman.
1	50508967	RUDDER BAR	1.3D+4CS, 1.4+TCT+4CS, 1.6D+4CS		1		
1	50509132	RUDDER BAR	1.3D+4CS, 1.4+TCT+4CS, 1.6D+4CS		1		
1	51830223	RUDDER BAR	TCT+4CS		1		
1	51830223	RUDDER BAR	TCT+4CS		1		
2	12578211	NUT, M8			06		
3	55701131	BRACKET			1		
4	811900013	SCREW, M8X20			02		

Legend	
TCT	SPECIFIC GEARBOX
4CS	EXTRA SERIES 1 PEDAL UNIT
1.3D	HORSE POWER (MARKET):1.3
1.4	HORSE POWER (MARKET):1370
1.6D	HORSE POWER (MARKET):1598
LHD	STEERING:LEFT

Catalogue	MITO 2008-2011	
Category	9.1 FOOT BRAKE CONTROL	
Var.	01	RHD
Rev.	00	



Part Num.	Description	Compatibility	Modif.	Qty	Notes	Col.	Reman.
1	50513499	RUDDER BAR	NOTURBO+392+4CS		1		
1	50513499	RUDDER BAR	1.4+I392+I4CS		1		
1	50513500	RUDDER BAR	NOTURBO+392+4CS		1		
1	50513500	RUDDER BAR	1.4+I392+4CS		1		
1	50513499	RUDDER BAR	1.3D+392+I4CS, 1.4+TURBO+ITCT+I4CS		1		
1	50513499	RUDDER BAR	1.3D+I392+I4CS, 1.4+TURBO+RHD+ITCT+I392+I4CS		1		
1	50513500	RUDDER BAR	1.3D+392+4CS, 1.4+TURBO+ITCT+4CS		1		
1	50513500	RUDDER BAR	1.3D+I392+4CS, 1.4+TURBO+RHD+ITCT+I392+4CS		1		
1	50513499	RUDDER BAR	1.6D+I4CS		1		
1	50513500	RUDDER BAR	1.6D+4CS		1		
1	51830221	RUDDER BAR	TCT+I4CS		1		
1	50517118	RUDDER BAR	TCT+4CS		1		
2	12578211	NUT, M8			06		

Legend	
TCT	SPECIFIC GEARBOX
392	VEHICLE DYNAMIC CONTROL (VDC)
4CS	EXTRA SERIES 1 PEDAL UNIT
NOTURBO	(ASPIRATED/TURBO):EXHAUST FAN
TURBO	(ASPIRATED/TURBO):TURBO
1.3D	HORSE POWER (MARKET):1.3
1.4	HORSE POWER (MARKET):1370
1.6D	HORSE POWER (MARKET):1598
RHD	STEERING:RIGHT