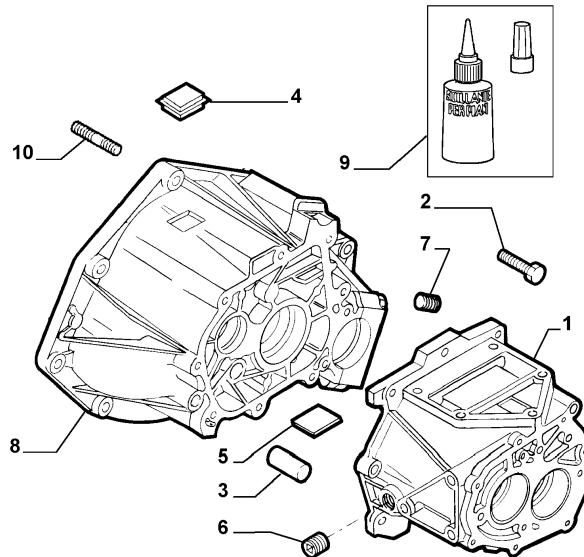


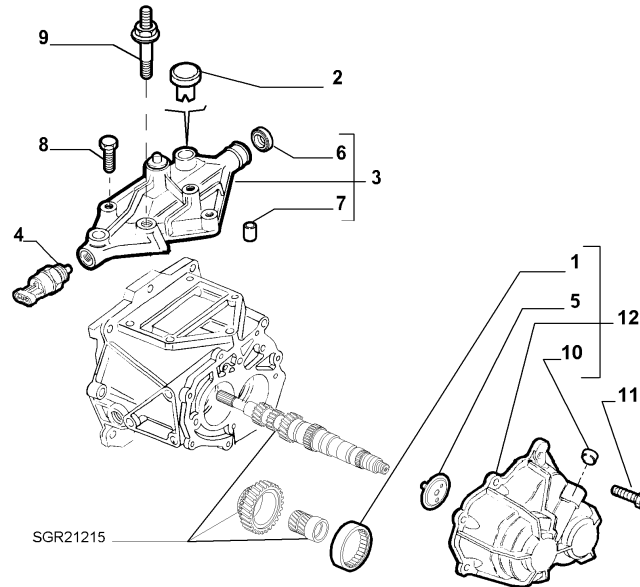
Catalogue	MITO 2008-2011	
Category	7.2 TRANSMISSION AND DIFFERENTIAL UNIT, CASING AND COVERS	
Var.	01	1.4 + PETROL + PCC514 + (78HP, 95HP, 105HP)
Rev.	00	



Part Num.	Description	Compatibility	Modif.	Qty	Notes	Col.	Reman.
1	55204702 CASE			01			
2	18752924 SCREW			08			
3	55264969 DOWEL			02			
4	7650065 PLUG			01			
5	7604757 MAGNET			01			
6	55189930 PLUG			01			
7	55189931 PLUG			01			
8	55204041 SUPPORT			01			
9	71779552 SEALER			01			
10	73500475 STUD			01			

Legend	
1.4	HORSE POWER (MARKET):1370
PETROL	FUEL:PETROL
78HP	POWER:1.4 FIRE 16V 78HP EURO5
95HP	POWER:95HP
105HP	POWER:1.4 FIRE 16V MULTIAIR 105HP (EURO 5)
PCC514	GEARBOX DESIGN:GEARBOX

Catalogue	MITO 2008-2011	
Category	7.2 TRANSMISSION AND DIFFERENTIAL UNIT, CASING AND COVERS	
Var.	02	1.4 + PETROL + PCC514 + (78HP, 95HP, 105HP)
Rev.	00	

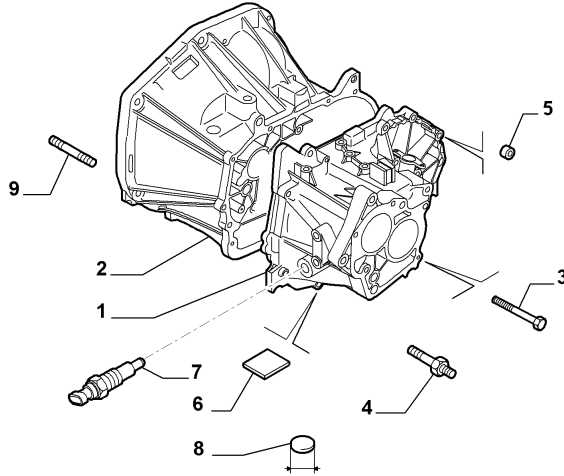


Part Num.	Description	Compatibility	Modif.	Qty	Notes	Col.	Reman.
1	7765175 BEARING			01			
2 A	46811729 PLUG			01			
2 A	6000100183 PLUG			01			
3	55198597 COVER, COMPL			01			
4 A	55203408 SWITCH			01			
4 A	6000100001 SWITCH			01			
5	55268951 CUP			01			
6	40004800 SEAL GASKET			01			
7	55264969 DOWEL			01			
8	18751921 SCREW			04			
9	46737097 SCREW			01			
10	14328201 PLUG			01			
11	16389324 SCREW			07			
12 A	46337925 COVER			01			
12 A	6000100002 COVER			01			

Legend

1.4	HORSE POWER (MARKET):1370
PETROL	FUEL:PETROL
78HP	POWER:1.4 FIRE 16V 78HP EURO5
95HP	POWER:95HP
105HP	POWER:1.4 FIRE 16V MULTIAIR 105HP (EURO 5)
PCC514	GEARBOX DESIGN:GEARBOX

Catalogue	MITO 2008-2011	
Category	7.2 TRANSMISSION AND DIFFERENTIAL UNIT, CASING AND COVERS	
Var.	01	1.3D + DIESEL + PCC510 + (95HP, 85HP)
Rev.	00	

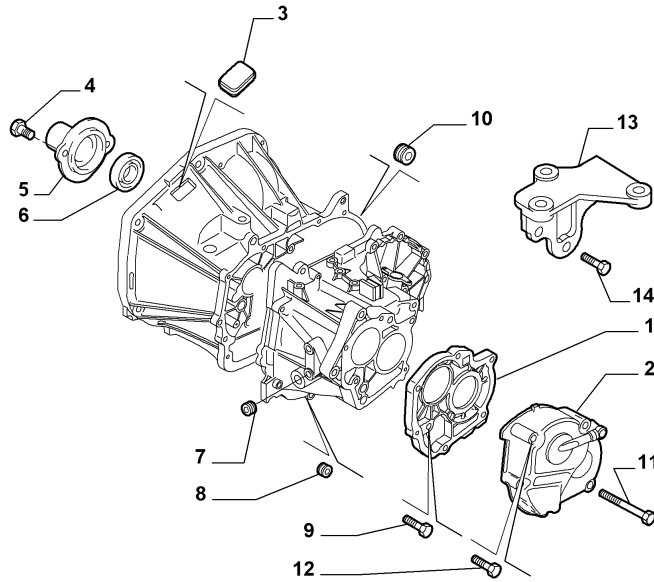


Part Num.	Description	Compatibility	Modif.	Qty	Notes	Col.	Reman.
1	55200879 CASE	95HP	C14021	01			
1	55230756 CASE	95HP	D14021	01			
1	55230756 CASE	85HP		01			
2	55202027 SUPPORT	95HP	C14022	01			
2	55229490 SUPPORT	95HP	D14022	01			
2	55241383 SUPPORT	85HP		01			
3	18751924 SCREW, M8X48		C14022	07			
3	18751921 SCREW, M8X48		D14022	08			
3	18753221 SCREW, M8X55			02			
3	18752621 SCREW, M8X30			01			
3	16287521 SCREW, M8X40			03			
3	18752821 SCREW, M8X30			02			
4	7576002 SCREW			01			
5	55264948 DOWEL			02			
6	7604757 MAGNET			01			
7	46410523 SWITCH, R.M.			01			
8	55189942 PLUG			01			
9	13554921 STUD, M12X65			01			

Legend

1.3D	HORSE POWER (MARKET):1.3
DIESEL	FUEL:DIESEL
85HP	POWER:1.3 SDE 85HP EURO5
95HP	POWER:95HP
PCC510	GEARBOX DESIGN:GEARBOX
14021	NEW CASING FOR HIGH STITCHING FASTENING [DAT 11/12/2009]
14022	NEW SUPPORT FOR HIGH STITCHING FASTENING [DAT 12/01/2010 (1.4+PETROL+120HP+PCC510)]

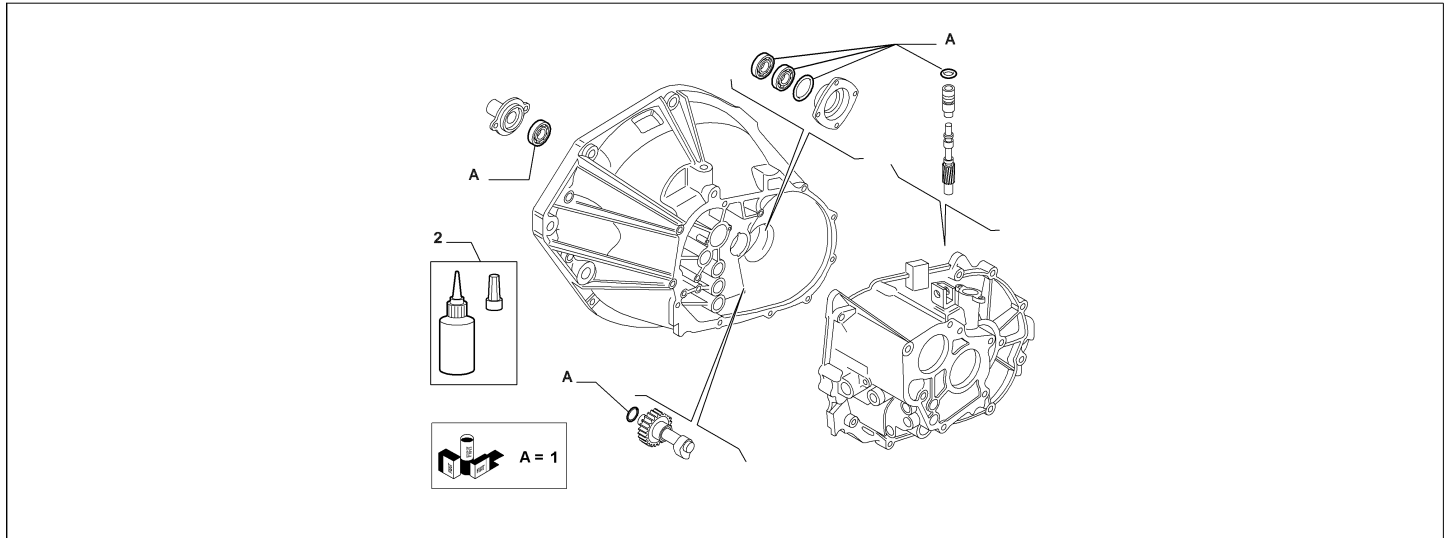
Catalogue	MITO 2008-2011	
Category	7.2 TRANSMISSION AND DIFFERENTIAL UNIT, CASING AND COVERS	
Var.	02	1.3D + DIESEL + PCC510 + (95HP, 85HP)
Rev.	00	



Part Num.	Description	Compatibility	Modif.	Qty	Notes	Col.	Reman.
1	55200660 PLATE			01			
2	46480562 COVER			01			
3	7649901 PLUG	95HP		01			
4	7575472 SCREW	95HP		02			
5	46411117 COVER	95HP		01			
6	40004820 SEAL GASKET	95HP		01			
7	55189930 PLUG, M22			01			
8	55230505 PLUG, M18			01			
9	18752521 SCREW			01			
10	55230506 MAGNETIC PLUGTWEEN CONE, M22			01			
11	18753021 SCREW, M8X45			03			
11	18753821 SCREW, M8X90			01			
11	16287621 SCREW, M8X55			01			
12	7633380 SCREW			01			
13	46736750 SUPPORT			01			
14	18752221 SCREW			01			

Legend	
1.3D	HORSE POWER (MARKET):1.3
DIESEL	FUEL:DIESEL
85HP	POWER:1.3 SDE 85HP EURO5
95HP	POWER:95HP
PCC510	GEARBOX DESIGN:GEARBOX

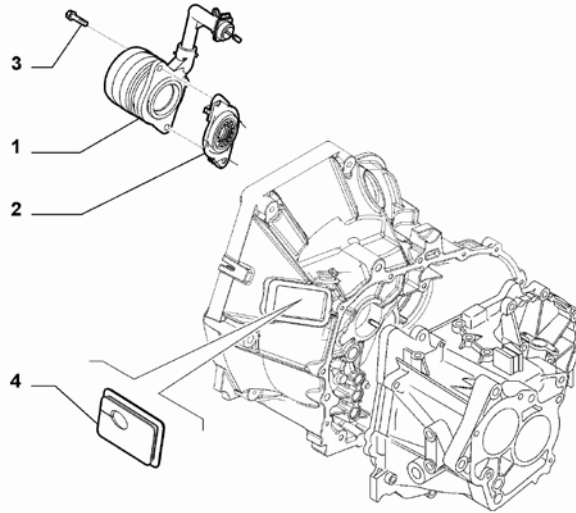
Catalogue	MITO 2008-2011	
Category	7.2 TRANSMISSION AND DIFFERENTIAL UNIT, CASING AND COVERS	
Var.	03	1.3D + DIESEL + PCC510 + 95HP
Rev.	00	



Part Num.	Description	Compatibility	Modif.	Qty	Notes	Col.	Reman.
1	5888941 TRANSMISSION GASKETS	95HP		0S			
2	71779552 SEALER			01			

Legend	
1.3D	HORSE POWER (MARKET):1.3
DIESEL	FUEL:DIESEL
95HP	POWER:95HP
PCC510	GEARBOX DESIGN:GEARBOX

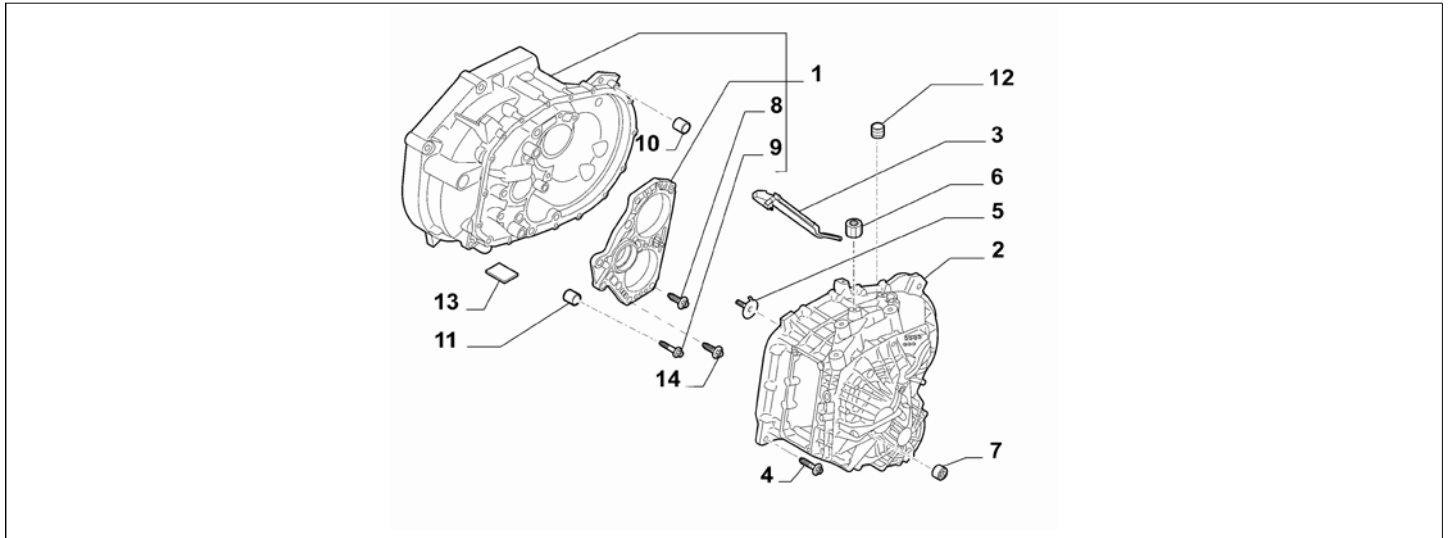
Catalogue	MITO 2008-2011	
Category	7.2 TRANSMISSION AND DIFFERENTIAL UNIT, CASING AND COVERS	
Var.	04	1.3D + DIESEL + PCC510 + 85HP
Rev.	00	



Part Num.	Description	Compatibility	Modif.	Qty	Notes	Col.	Reman.
1	55243919 SLEEVE W/BEARING			1			
2	55210247 COVER			1			
3	16297024 SCREW			2			
4	55210248 PLUG			01			

Legend	
1.3D	HORSE POWER (MARKET):1.3
DIESEL	FUEL:DIESEL
85HP	POWER:1.3 SDE 85HP EURO5
PCC510	GEARBOX DESIGN:GEARBOX

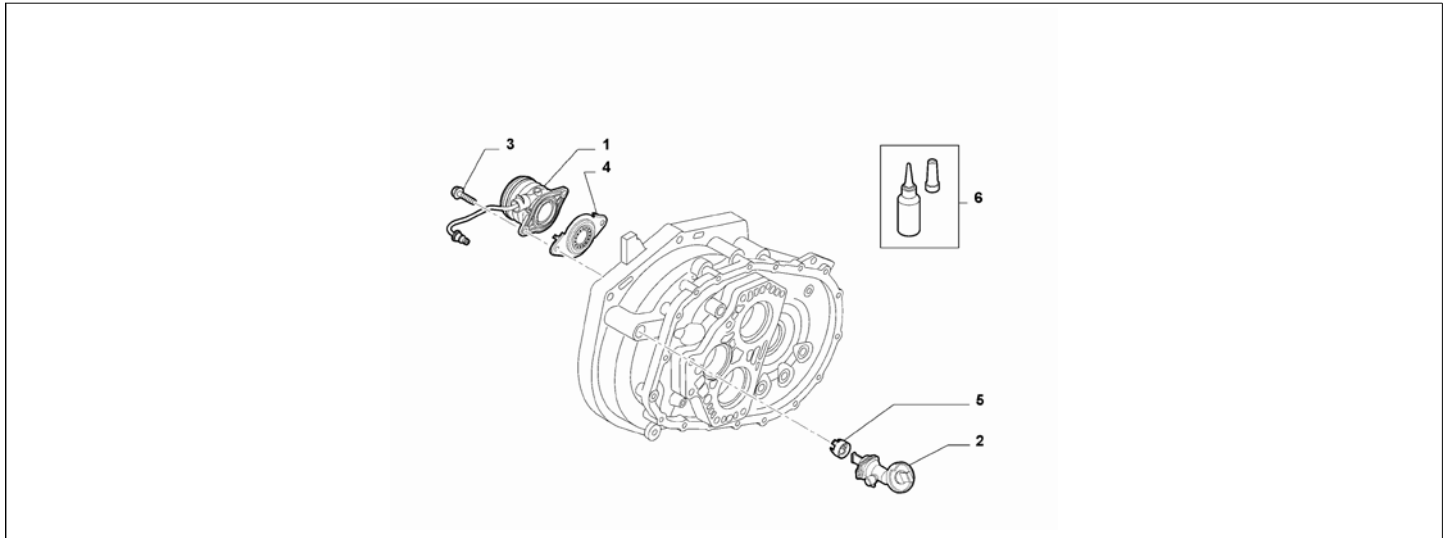
Catalogue	MITO 2008-2011	
Category	7.2 TRANSMISSION AND DIFFERENTIAL UNIT, CASING AND COVERS	
Var.	01	1.4 + PETROL + 170HP + PCC635, 1.6D + DIESEL + 120HP + PCC635
Rev.	00	



Part Num.	Description	Compatibility	Modif.	Qty	Notes	Col.	Reman.
1	55230168 SUPPORT	1.4		01			
1	55226735 SUPPORT	1.6D		01			
2	55220248 CASE			01			
3	55222867 CONVEYOR			01			
4	811900017 SCREW, M8X40			15			
4	811900015 SCREW, M8X30			03			
5	55222866 CONVEYOR			02			
6	55250208 PLUG			02			
7	7751645 MAGNETIC PLUGTWEEN CONE			01			
8	55278205 SCREW, M12X1.75X35			05			
9	55222377 SCREW, M8X1.25			03			
10	55264969 DOWEL			02			
11	55275655 DOWEL			02			
12	55189930 PLUG			01			
13	55207509 MAGNET			01			
14	55278205 SCREW, M12X1.75X35			02			

Legend	
1.4	HORSE POWER (MARKET):1370
1.6D	HORSE POWER (MARKET):1598
PETROL	FUEL:PETROL
DIESEL	FUEL:DIESEL
170HP	POWER:1.4 FIRE 16V TURBO MULTIAIR 170HP EURO 5
120HP	POWER:120HP
PCC635	GEARBOX DESIGN:GEARBOX 35 KGM

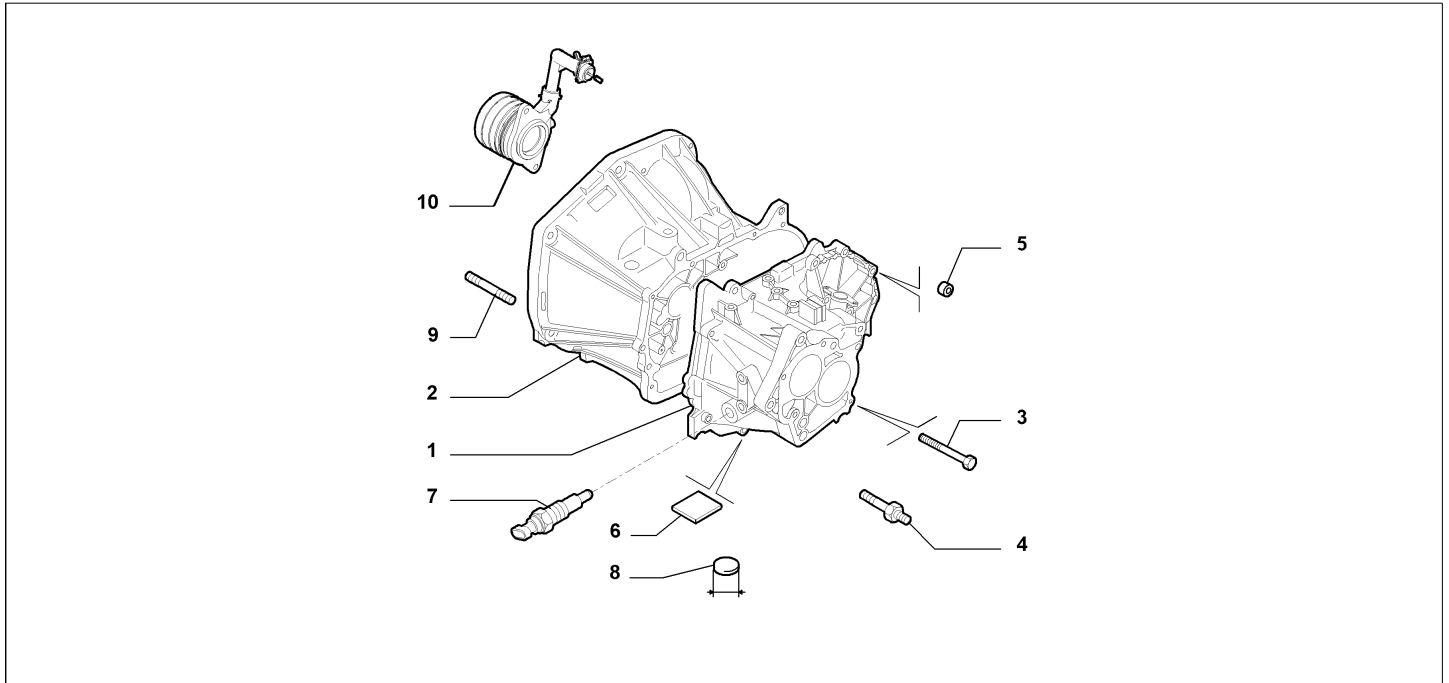
Catalogue	MITO 2008-2011	
Category	7.2 TRANSMISSION AND DIFFERENTIAL UNIT, CASING AND COVERS	
Var.	02	1.4 + PETROL + 170HP + PCC635, 1.6D + DIESEL + 120HP + PCC635
Rev.	00	



Part Num.	Description	Compatibility	Modif.	Qty	Notes	Col.	Reman.
1	55224014	ACTUATOR	C14439	01			
1	55243920	ACTUATOR	D14439	01			
2	55235782	CONNECTION		01			
3	16297024	SCREW		02			
4	55210247	COVER		01			
5	55232325	CLIP		01			
6	71779552	SEALER		01			

Legend	
1.4	HORSE POWER (MARKET):1370
1.6D	HORSE POWER (MARKET):1598
PETROL	FUEL:PETROL
DIESEL	FUEL:DIESEL
170HP	POWER:1.4 FIRE 16V TURBO MULTIAIR 170HP EURO 5
120HP	POWER:120HP
PCC635	GEARBOX DESIGN:GEARBOX 35 KGM
14439	NEW COUPLING AUTOMATIC DISCONNECTION CLUTCH [CAM 142448, DAT 08/02/2011]

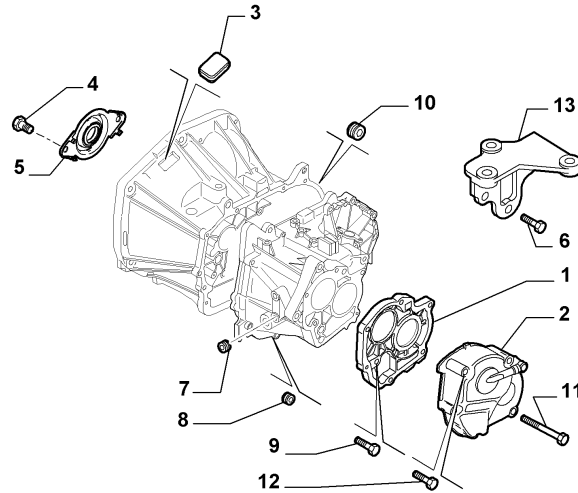
Catalogue	MITO 2008-2011	
Category	7.2 TRANSMISSION AND DIFFERENTIAL UNIT, CASING AND COVERS	
Var.	01	1.4 + PETROL + PCC510 + (120HP, 135HP)
Rev.	00	



Part Num.	Description	Compatibility	Modif.	Qty	Notes	Col.	Reman.
1	55200879	CASE	120HP	C14021	01		
1	55230756	CASE	120HP	D14021	01		
1	55230756	CASE	135HP		01		
2	55209902	SUPPORT	120HP	C14022	01		
2	55229487	SUPPORT	120HP	D14022	01		
2	55229487	SUPPORT	135HP		01		
3	18752824	SCREW, M8X35			02		
3	18751924	SCREW, M8X48		C14022	07		
3	18751921	SCREW, M8X48		D14022	08		
3	18753224	SCREW, M8X55			02		
3	46463569	SCREW, M8X30			01		
3	16287521	SCREW, M8X40			03		
4	7576002	SCREW			01		
5	55264948	DOWEL			02		
6	7604757	MAGNET			01		
7	46410523	SWITCH, R.M.			01		
8	55189942	PLUG			01		
9	13554921	STUD, M12X65			01		
10	55243919	SLEEVE W/BEARING			01		

Legend	
1.4	HORSE POWER (MARKET):1370
PETROL	FUEL:PETROL
120HP	POWER:120HP
135HP	POWER:1.4 FIRE 16V TURBO MULTIAIR 135 HP EURO 5
PCC510	GEARBOX DESIGN:GEARBOX
14021	NEW CASING FOR HIGH STITCHING FASTENING [DAT 11/12/2009]
14022	NEW SUPPORT FOR HIGH STITCHING FASTENING [DAT 12/01/2010 (1.4+PETROL+120HP+PCC510)]

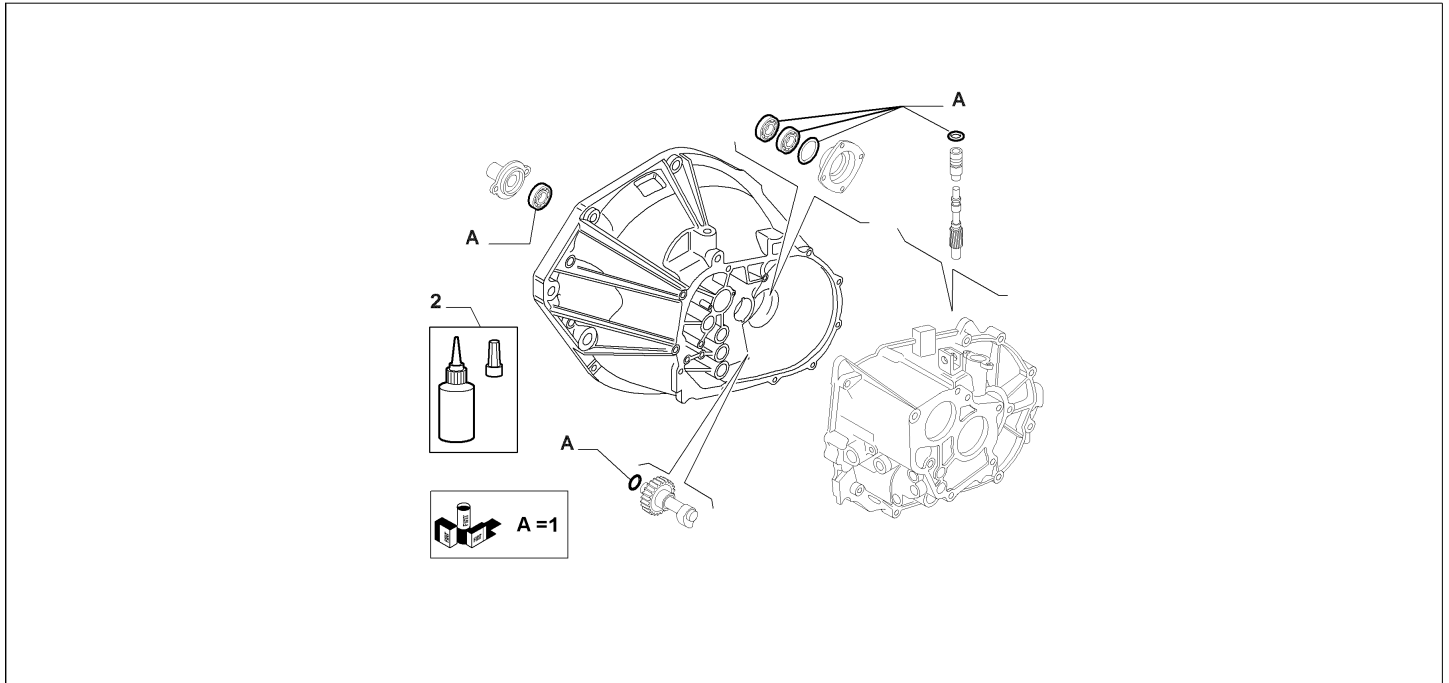
Catalogue	MITO 2008-2011	
Category	7.2 TRANSMISSION AND DIFFERENTIAL UNIT, CASING AND COVERS	
Var.	02	1.4 + PETROL + PCC510 + (120HP, 135HP)
Rev.	00	



Part Num.	Description	Compatibility	Modif.	Qty	Notes	Col.	Reman.
1	55200660 PLATE			01			
2	46480562 COVER			01			
3	7649901 PLUG			01			
4	7575472 SCREW			02			
5	55210247 COVER			01			
6	18752224 SCREW			01			
7	55189930 PLUG, M22			01			
8	55230505 PLUG, M18			01			
9	18752424 SCREW			01			
10	7751645 MAGNETIC PLUGTWEEN CONE, M22			01			
11	18753024 SCREW, M8X45			03			
11	18753824 SCREW, M8X90			01			
11	16287624 SCREW, M8X55			01			
12	7633380 SCREW			01			
13	46736750 SUPPORT			01			

Legend	
1.4	HORSE POWER (MARKET):1370
PETROL	FUEL:PETROL
120HP	POWER:120HP
135HP	POWER:1.4 FIRE 16V TURBO MULTIAIR 135 HP EURO 5
PCC510	GEARBOX DESIGN:GEARBOX

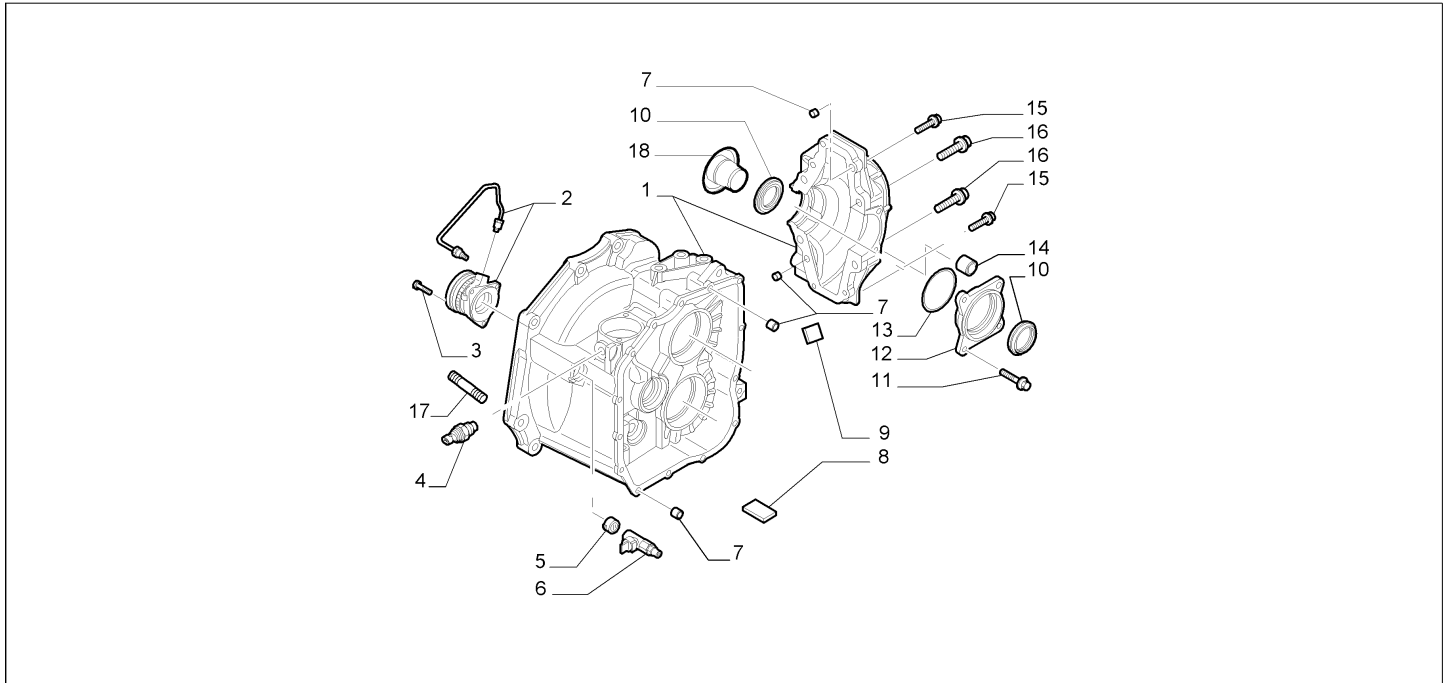
Catalogue	MITO 2008-2011	
Category	7.2 TRANSMISSION AND DIFFERENTIAL UNIT, CASING AND COVERS	
Var.	03	1.4 + PETROL + PCC510 + (120HP, 135HP)
Rev.	00	



Part Num.	Description	Compatibility	Modif.	Qty	Notes	Col.	Reman.
1	5888941 TRANSMISSION GASKETS			0S			
2	71779552 SEALER			01			

Legend	
1.4	HORSE POWER (MARKET):1370
PETROL	FUEL:PETROL
120HP	POWER:120HP
135HP	POWER:1.4 FIRE 16V TURBO MULTIAIR 135 HP EURO 5
PCC510	GEARBOX DESIGN:GEARBOX

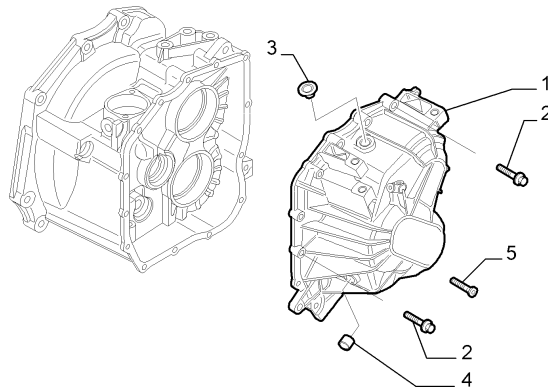
Catalogue	MITO 2008-2011	
Category	7.2 TRANSMISSION AND DIFFERENTIAL UNIT, CASING AND COVERS	
Var.	01	1.4 + PETROL + 155HP + PCC544 + 076
Rev.	00	C14156



Part Num.	Description	Compatibility	Modif.	Qty	Notes	Col.	Reman.
1	55564276 SUPPORT			01			
2	55558917 SLEEVE W/BEARING			01			
3	71747900 SCREW			03			
4 A	71740080 SWITCH			01			
4 A	6000100077 SWITCH			01			
5	55352049 SLEEVE			01			
6	55193689 CONNECTION			01			
7	71740629 DOWEL			04			
8	55563951 MAGNET			01			
9	55567563 MAGNET			01			
10	71734264 SEAL GASKET			02			
11	55557626 SCREW			04			
12	55192374 FLANGE			01			
13	71740624 SEAL GASKET			01			
14	71748231 PLUG			01			
15	71740628 SCREW			06			
16	71740627 SCREW			04			
17	46400104 STUD			01			
18	55557041 BUSH			01			

Legend	
076	GEARBOX 6 M
1.4	HORSE POWER (MARKET):1370
PETROL	FUEL:PETROL
155HP	POWER:1.4 FIRE 16V TURBO 155HP (EURO 5)
PCC544	GEARBOX DESIGN:GEARBOX 20/28 KGM (M20/M28 3H)
14156	C542 -C544 GEARBOX MANUFATURING DISCONTINUED [DAT 26/02/2011]

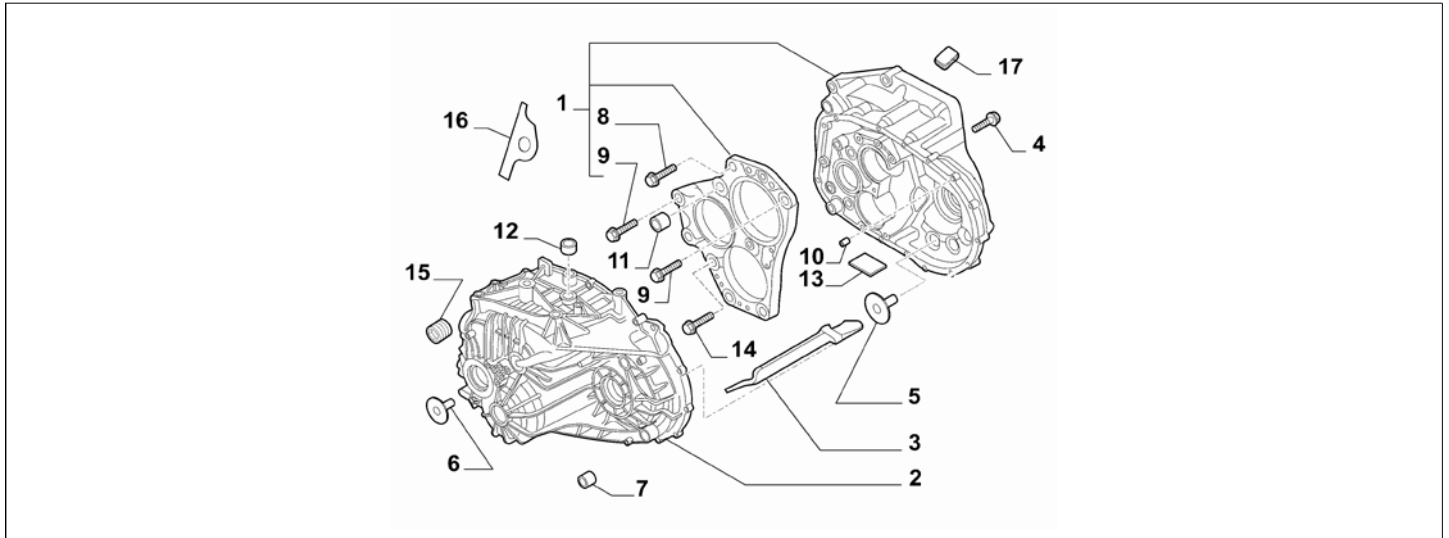
Catalogue	MITO 2008-2011	
Category	7.2 TRANSMISSION AND DIFFERENTIAL UNIT, CASING AND COVERS	
Var.	02	1.4 + PETROL + 155HP + PCC544 + 076
Rev.	00	C14156



Part Num.	Description	Compatibility	Modif.	Qty	Notes	Col.	Reman.
1	55354986 CASE			01			
2	71740633 SCREW			15			
3	55206059 PLUG			01			
4	71748231 PLUG			01			
5	55557445 SCREW			01			

Legend	
076	GEARBOX 6 M
1.4	HORSE POWER (MARKET):1370
PETROL	FUEL:PETROL
155HP	POWER:1.4 FIRE 16V TURBO 155HP (EURO 5)
PCC544	GEARBOX DESIGN:GEARBOX 20/28 KGM (M20/M28 3H)
14156	C542 -C544 GEARBOX MANUFATURING DISCONTINUED [DAT 26/02/2011]

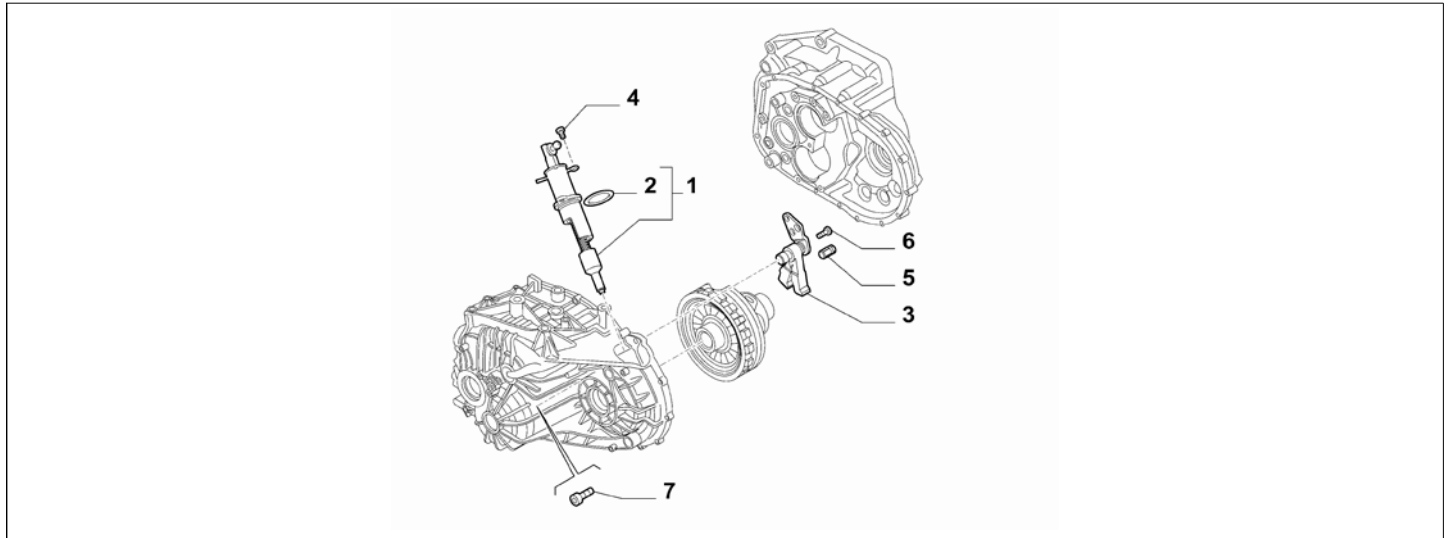
Catalogue	MITO 2008-2011	
Category	7.2 TRANSMISSION AND DIFFERENTIAL UNIT, CASING AND COVERS	
Var.	01	1.4 + PETROL + 135HP + TCT
Rev.	00	



Part Num.	Description	Compatibility	Modif.	Qty	Notes	Col.	Reman.
1	55230215 SUPPORT			01			
2	55231389 CASE			01			
3	55222867 CONVEYOR			01			
4	811900017 SCREW, M8X40			15			
4	811900015 SCREW, M8X30			03			
5	55222866 CONVEYOR			02			
6	55220023 PLATE			01			
7	7751645 MAGNETIC PLUGTWEEN CONE			01			
8	55278205 SCREW, M12X1,75X35			05			
9	55222377 SCREW, M8X1.25			03			
10	55264969 DOWEL			02			
11	55275655 DOWEL			02			
12	55189930 PLUG			01			
13	55207509 MAGNET			01			
14	55278205 SCREW, M12X1,75X35			02			
15	55250208 PLUG			1			
16	55235150 OIL SHIELD			1			
17	55235750 PLUG			1			

Legend	
TCT	SPECIFIC GEARBOX
1.4	HORSE POWER (MARKET):1370
PETROL	FUEL:PETROL
135HP	POWER:1.4 FIRE 16V TURBO MULTIAIR 135 HP EURO 5

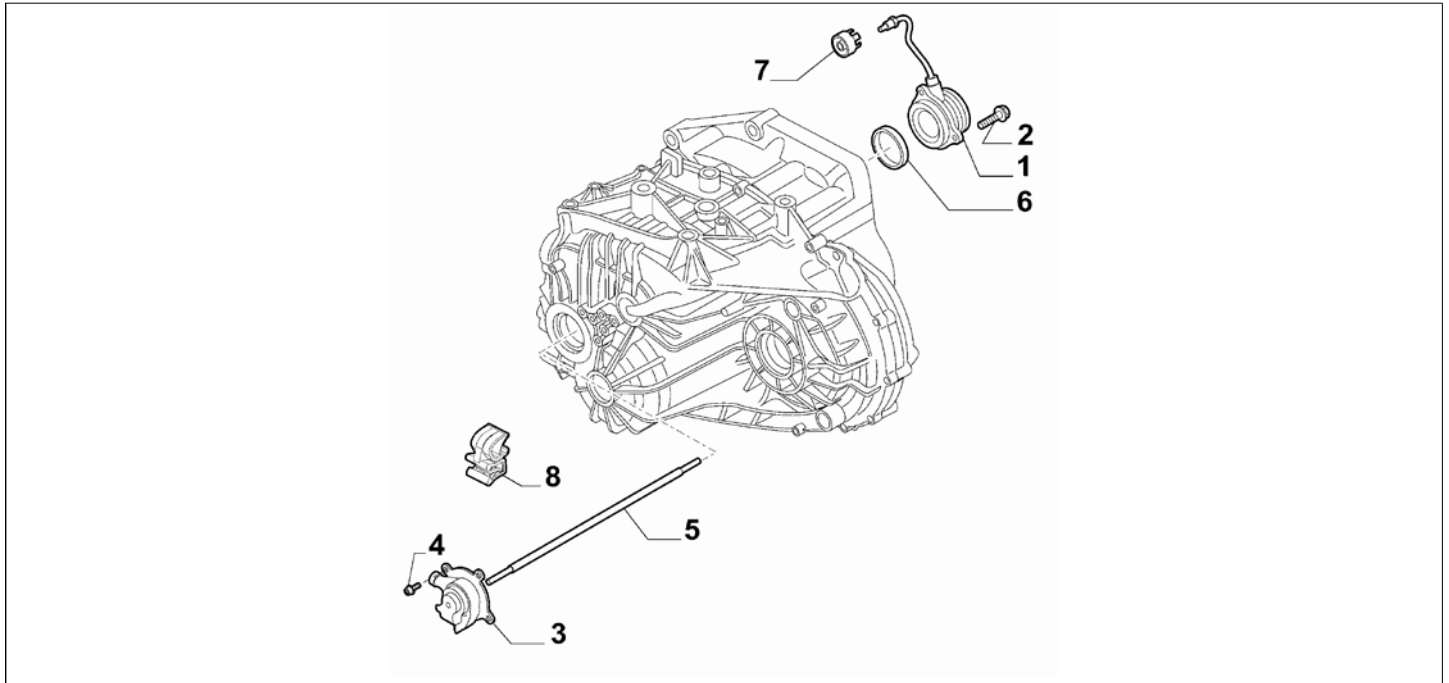
Catalogue	MITO 2008-2011	
Category	7.2 TRANSMISSION AND DIFFERENTIAL UNIT, CASING AND COVERS	
Var.	02	1.4 + PETROL + 135HP + TCT
Rev.	00	



Part Num.	Description	Compatibility	Modif.	Qty	Notes	Col.	Reman.
1	55231240 ACTUATOR			01			
2	55227023 SEAL GASKET			01			
3	55234326 LEVER			01			
4	14433121 SCREW			01			
5	55231255 PIN			02			
6	55234503 SCREW			01			
7	55231505 BEARING			02			

Legend	
TCT	SPECIFIC GEARBOX
1.4	HORSE POWER (MARKET):1370
PETROL	FUEL:PETROL
135HP	POWER:1.4 FIRE 16V TURBO MULTIAIR 135 HP EURO 5

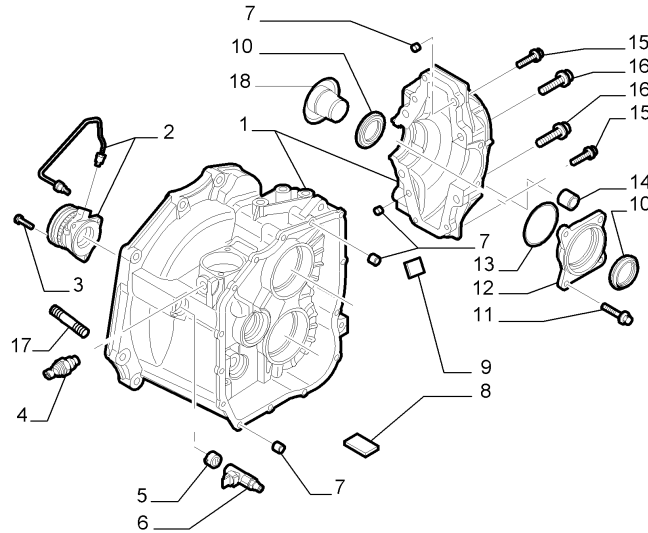
Catalogue	MITO 2008-2011	
Category	7.2 TRANSMISSION AND DIFFERENTIAL UNIT, CASING AND COVERS	
Var.	03	1.4 + PETROL + 135HP + TCT
Rev.	00	



Part Num.	Description	Compatibility	Modif.	Qty	Notes	Col.	Reman.
1	55231545 ACTUATOR			01			
2	46339920 SCREW, M6X20			03			
3	55231544 ACTUATOR			01			
4	46339920 SCREW, M6X20			04			
5	55227774 ROD			01			
6	55217088 SEAL GASKET			01			
7	55228813 CLIP			01			
8	55226103 CLIP			1			

Legend	
TCT	SPECIFIC GEARBOX
1.4	HORSE POWER (MARKET):1370
PETROL	FUEL:PETROL
135HP	POWER:1.4 FIRE 16V TURBO MULTIAIR 135 HP EURO 5

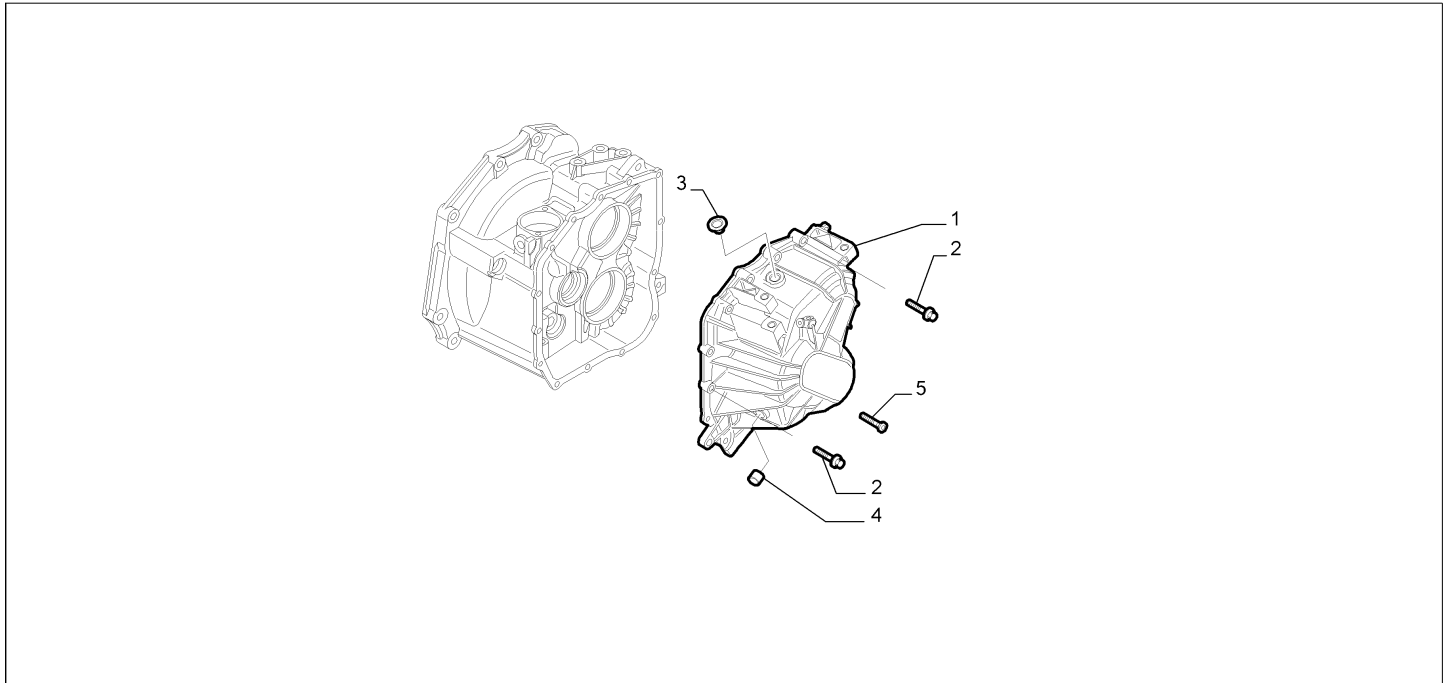
Catalogue	MITO 2008-2011	
Category	7.2 TRANSMISSION AND DIFFERENTIAL UNIT, CASING AND COVERS	
Var.	01	1.6D + DIESEL + PCC544 + 076
Rev.	00	C14156



Part Num.	Description	Compatibility	Modif.	Qty	Notes	Col.	Reman.
1	55569808 SUPPORT			01			
2	55558917 SLEEVE W/BEARING			01			
3	71747900 SCREW			03			
4 A	71740080 SWITCH			01			
4 A	6000100077 SWITCH			01			
5	55352049 SLEEVE			01			
6	55193689 CONNECTION			01			
7	71740629 DOWEL			04			
8	55563951 MAGNET			01			
9	55567563 MAGNET			01			
10	71734264 SEAL GASKET			02			
11	55557626 SCREW			04			
12	55192374 FLANGE			01			
13	71740624 SEAL GASKET			01			
14	71748231 PLUG			01			
15	71740628 SCREW			06			
16	71740627 SCREW			04			
17	46400104 STUD			02			
18	55557041 BUSH			01			

Legend	
076	GEARBOX 6 M
1.6D	HORSE POWER (MARKET):1598
DIESEL	FUEL:DIESEL
PCC544	GEARBOX DESIGN:GEARBOX 20/28 KGM (M20/M28 3H)
14156	C542 -C544 GEARBOX MANUFATURING DISCONTINUED [DAT 26/02/2011]

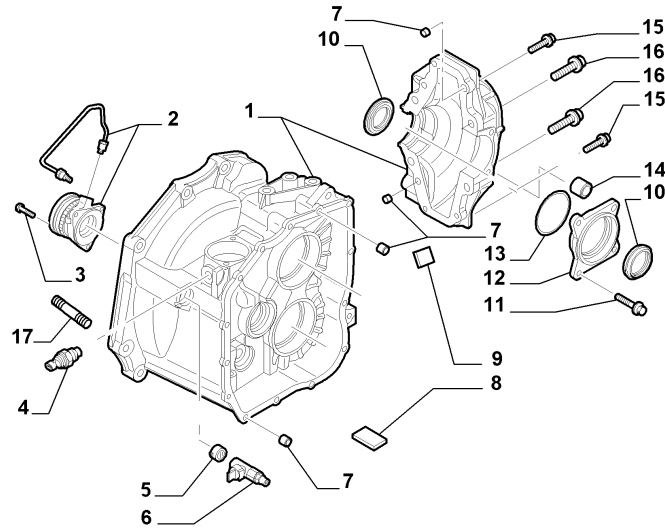
Catalogue	MITO 2008-2011	
Category	7.2 TRANSMISSION AND DIFFERENTIAL UNIT, CASING AND COVERS	
Var.	02	1.6D + DIESEL + PCC544 + 076
Rev.	00	C14156



Part Num.	Description	Compatibility	Modif.	Qty	Notes	Col.	Reman.
1	55354986 CASE			01			
2	71740633 SCREW			15			
3	55206059 PLUG			01			
4	71748231 PLUG			01			
5	55557445 SCREW			01			

Legend	
076	GEARBOX 6 M
1.6D	HORSE POWER (MARKET):1598
DIESEL	FUEL:DIESEL
PCC544	GEARBOX DESIGN:GEARBOX 20/28 KGM (M20/M28 3H)
14156	C542 -C544 GEARBOX MANUFATURING DISCONTINUED [DAT 26/02/2011]

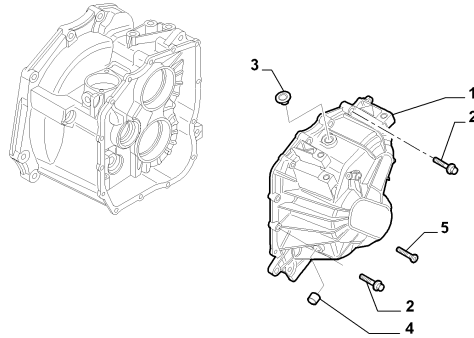
Catalogue	MITO 2008-2011	
Category	7.2 TRANSMISSION AND DIFFERENTIAL UNIT, CASING AND COVERS	
Var.	01	1.3D + DIESEL + 90HP + PCC544 + 076
Rev.	00	C14156



Part Num.	Description	Compatibility	Modif.	Qty	Notes	Col.	Reman.
1	55557427	SUPPORT		01			
2	55558918	SLEEVE W/BEARING		01			
3	71747900	SCREW		03			
4 A	71740080	SWITCH		01			
4 A	6000100077	SWITCH		01			
5	55352049	SLEEVE		01			
6	55193689	CONNECTION		01			
7	71740629	DOWEL		04			
8	55563951	MAGNET		01			
9	55567563	MAGNET		01			
10	71734264	SEAL GASKET		02			
11	55557626	SCREW		04			
12	55192374	FLANGE		01			
13	71740624	SEAL GASKET		01			
14	71748231	PLUG		01			
15	71740628	SCREW		06			
16	71740627	SCREW		04			
17	55562409	STUD	C13426	02			
17	55562409	STUD	D13426	02			

Legend	
076	GEARBOX 6 M
1.3D	HORSE POWER (MARKET):1.3
DIESEL	FUEL:DIESEL
90HP	POWER:1.3 SDE 90HP EURO4
PCC544	GEARBOX DESIGN:GEARBOX 20/28 KGM (M20/M28 3H)
13426	INTRODUCTION OF NEW STUD [DAT 15/06/2009 (M72)]
14156	C542 -C544 GEARBOX MANUFATURING DISCONTINUED [DAT 26/02/2011]

Catalogue	MITO 2008-2011	
Category	7.2 TRANSMISSION AND DIFFERENTIAL UNIT, CASING AND COVERS	
Var.	02	1.3D + DIESEL + 90HP + PCC544 + 076
Rev.	00	C14156



Part Num.	Description	Compatibility	Modif.	Qty	Notes	Col.	Reman.
1	55354986 CASE			01			
2	71740633 SCREW			15			
3	55206059 PLUG			01			
4	71748231 PLUG			01			
5	55557445 SCREW			01			

Legend	
076	GEARBOX 6 M
1.3D	HORSE POWER (MARKET):1.3
DIESEL	FUEL:DIESEL
90HP	POWER:1.3 SDE 90HP EURO4
PCC544	GEARBOX DESIGN:GEARBOX 20/28 KGM (M20/M28 3H)
14156	C542 -C544 GEARBOX MANUFATURING DISCONTINUED [DAT 26/02/2011]