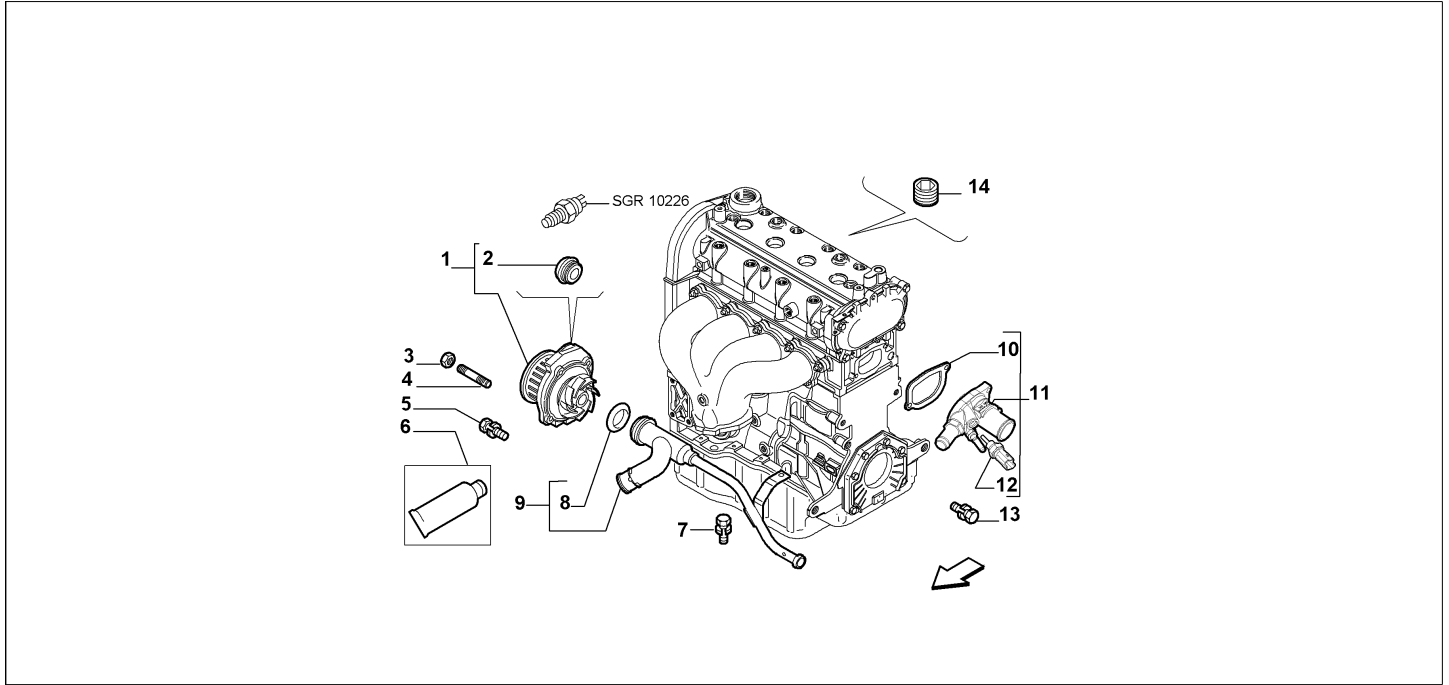


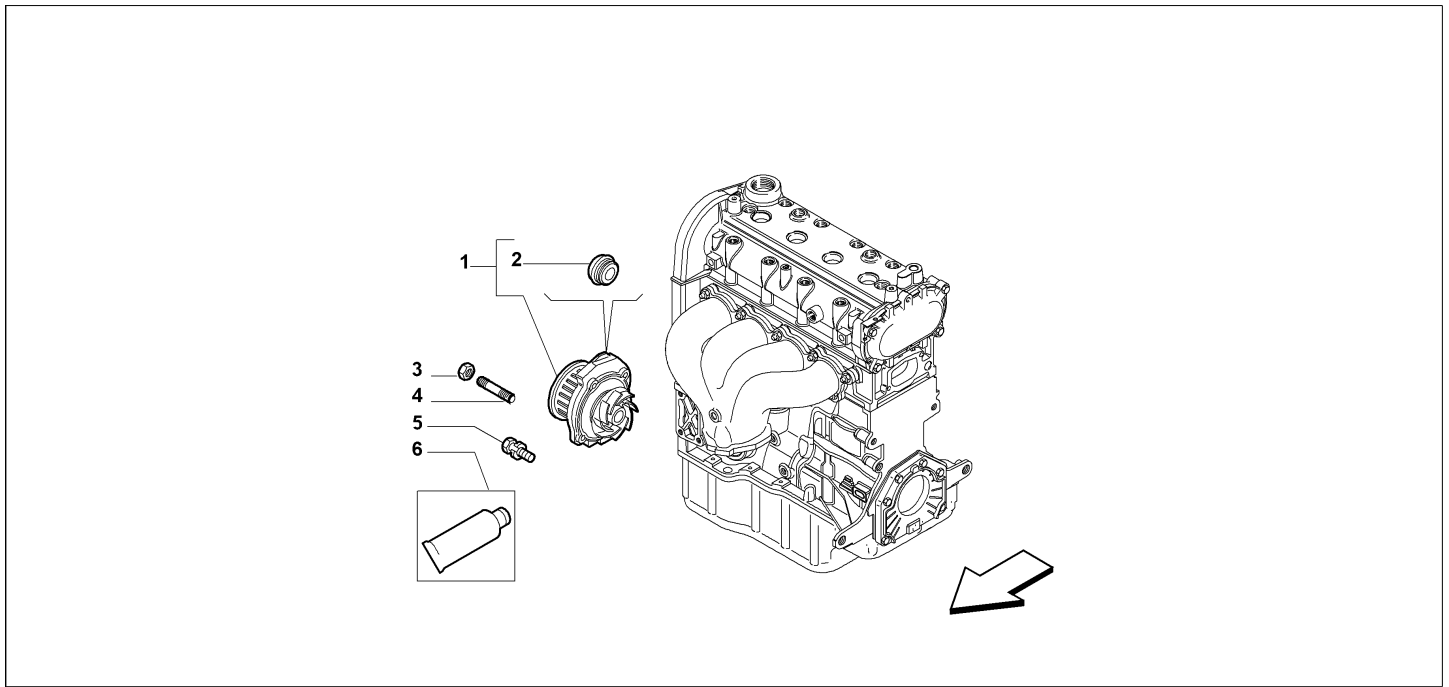
Catalogue	MITO 2008-2011	
Category	5.2 WATER PUMP AND LINES	
Var.	01	1.4 + PETROL + 78HP
Rev.	00	



	Part Num.	Description	Compatibility	Modif.	Qty	Notes	Col.	Reman.
1	A	55284051	WATER PUMP, COMPL PIERBURG		01			
1	A	6000100222	WATER PUMP, COMPL PIERBURG		01			
1	A	55284051	WATER PUMP, COMPL TESMA		01			
1	A	6000100222	WATER PUMP, COMPL TESMA		01			
2		55184079	SEAL GASKET, PIERBURG		01			
2		71748938	SEAL GASKET, TESMA		01			
3		55209300	STUD		01			
4		14084711	NUT		01			
5		18750524	SCREW		03			
6		71753861	SEALER		01			
7		11612434	SCREW		01			
8		55185066	SEAL GASKET		01			
9		55188163	PIPE		01			
10		71753377	SEAL GASKET		01			
11		55202176	THERMOSTAT		01			
12		55190791	SENDING UNIT		01			
13		55189536	SCREW AND WASHERASSY		01			
14		7177194	PLUG		01			

Legend	
1.4	HORSE POWER (MARKET):1370
PETROL	FUEL:PETROL
78HP	POWER:1.4 FIRE 16V 78HP EURO5

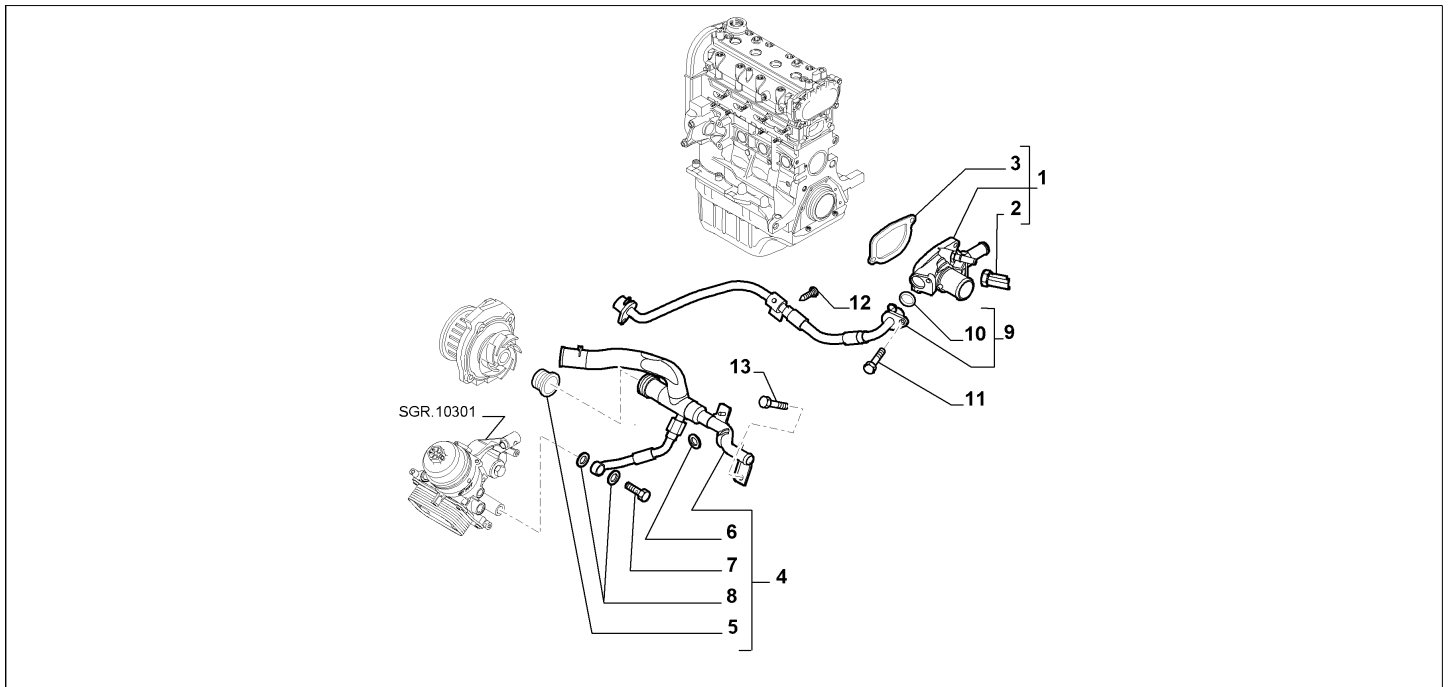
Catalogue	MITO 2008-2011	
Category	5.2 WATER PUMP AND LINES	
Var.	01	1.4 + PETROL + 105HP
Rev.	00	



	Part Num.	Description	Compatibility	Modif.	Qty	Notes	Col.	Reman.
1	A 55284051	WATER PUMP, COMPL TESMA			01			
1	A 6000100222	WATER PUMP, COMPL TESMA			01			
2	71748938	SEAL GASKET, TESMA			01			
3	55209300	STUD			01			
4	14084711	NUT			01			
5	18750524	SCREW			03			
6	71753861	SEALER			01			

Legend	
1.4	HORSE POWER (MARKET):1370
PETROL	FUEL:PETROL
105HP	POWER:1.4 FIRE 16V MULTIAIR 105HP (EURO 5)

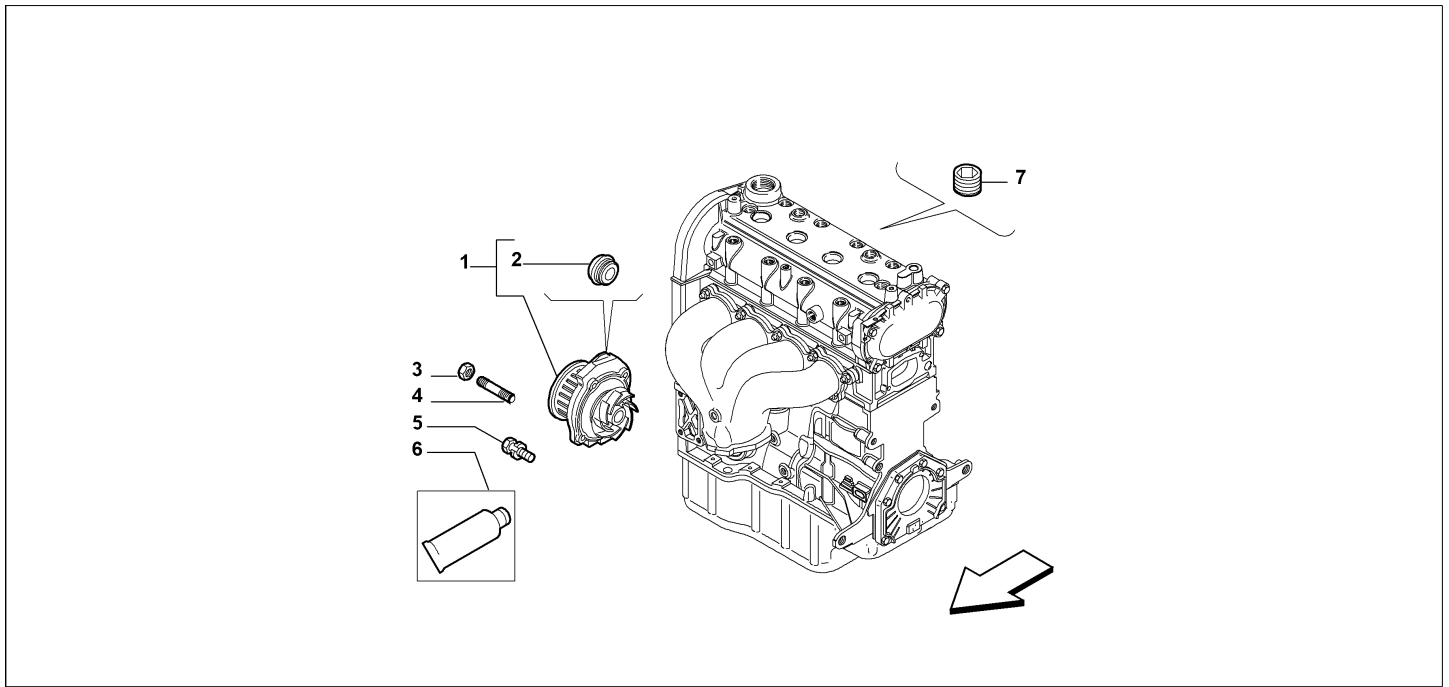
Catalogue	MITO 2008-2011	
Category	5.2 WATER PUMP AND LINES	
Var.	02	1.4 + PETROL + 105HP
Rev.	00	



Part Num.	Description	Compatibility	Modif.	Qty	Notes	Col.	Reman.
1	55215006	THERMOSTAT		01			
2	55190791	SENDING UNIT		01			
3	71753377	SEAL GASKET		01			
4	55221550	PIPE	C13942	01			
4	55231259	PIPE	D13942, C14792	01			
4	55229151	PIPE	D14792	1			
5	55185066	SEAL GASKET	C14792	01			
5	71776601	SEAL GASKET	D14792	1			
6	71751497	SEAL GASKET		01			
7	71773593	UNION		01			
8	71749207	SEAL GASKET		02			
9	55221551	PIPE	C13942	01			
9	55231258	PIPE	D13942	1			
10	14457081	SEAL GASKET		01			
11	55206778	SCREW		01			
12	55192174	NUT		01			
13	11612434	SCREW		04			

Legend	
1.4	HORSE POWER (MARKET):1370
PETROL	FUEL:PETROL
105HP	POWER:1.4 FIRE 16V MULTIAIR 105HP (EURO 5)
13942	NEW WATER PIPES [MOT 1495048]
14792	New water pump pipe and new seal [MOT 1620458]

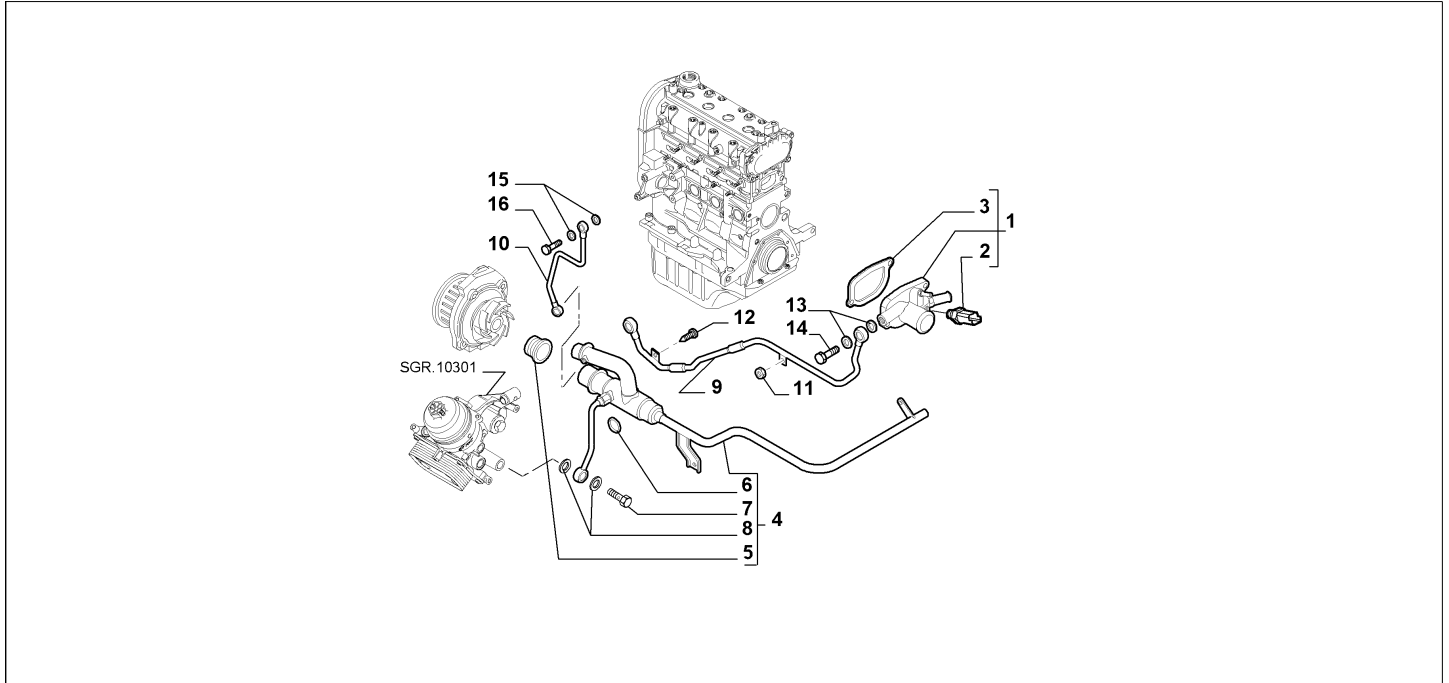
Catalogue	MITO 2008-2011	
Category	5.2 WATER PUMP AND LINES	
Var.	01	1.4 + PETROL + (155HP, 120HP)
Rev.	00	



Part Num.	Description	Compatibility	Modif.	Qty	Notes	Col.	Reman.
1 A 55284051	WATER PUMP, COMPL TESMA			01			
1 A 6000100222	WATER PUMP, COMPL TESMA			01			
2 71748938	SEAL GASKET, TESMA			01			
3 55209300	STUD			01			
4 14084711	NUT			01			
5 18750524	SCREW			03			
6 71753861	SEALER			01			
7 7177194	PLUG			01			

Legend	
1.4	HORSE POWER (MARKET):1370
PETROL	FUEL:PETROL
155HP	POWER:1.4 FIRE 16V TURBO 155HP (EURO 5)
120HP	POWER:120HP

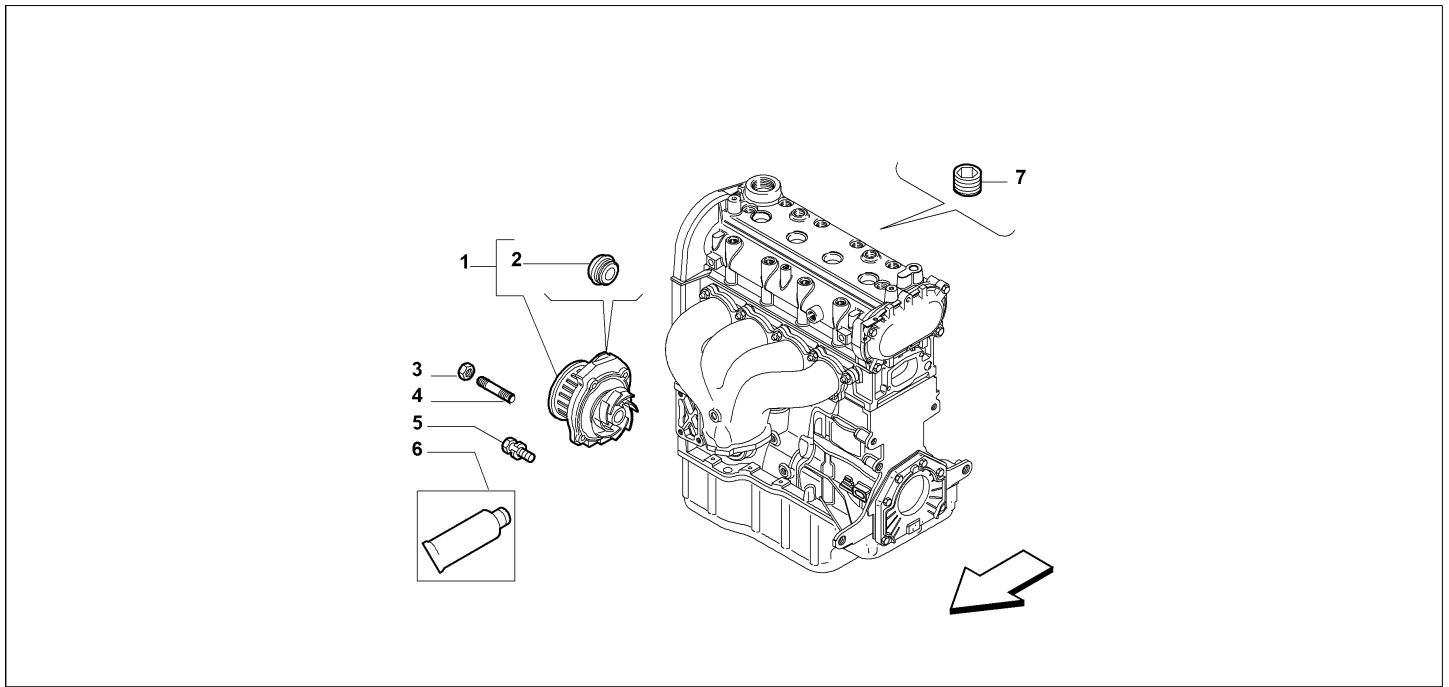
Catalogue	MITO 2008-2011	
Category	5.2 WATER PUMP AND LINES	
Var.	02	1.4 + PETROL + (155HP, 120HP)
Rev.	00	



Part Num.	Description	Compatibility	Modif.	Qty	Notes	Col.	Reman.
1	55208964 THERMOSTAT			01			
2	55190791 SENDING UNIT			01			
3	71753377 SEAL GASKET			01			
4	55211894 PIPE		C14281	01			
4	55229070 PIPE		D14281	1			
5	55185066 SEAL GASKET		C14281	01			
5	71776601 SEAL GASKET		D14281	1			
6	71751497 SEAL GASKET			01			
7	71773593 UNION			01			
8	71749207 SEAL GASKET			02			
9	55211895 PIPE			01			
10	55215387 PIPE			01			
11	55192174 NUT			01			
12	55206778 SCREW			01			
13	71769774 SEAL GASKET			04			
14	71769775 UNION			02			
15	71752001 SEAL GASKET			04			
16	71773592 UNION			02			

Legend	
1.4	HORSE POWER (MARKET):1370
PETROL	FUEL:PETROL
155HP	POWER:1.4 FIRE 16V TURBO 155HP (EURO 5)
120HP	POWER:120HP
14281	NEW WATER PUMP PIPE [DAT 15/07/2010]

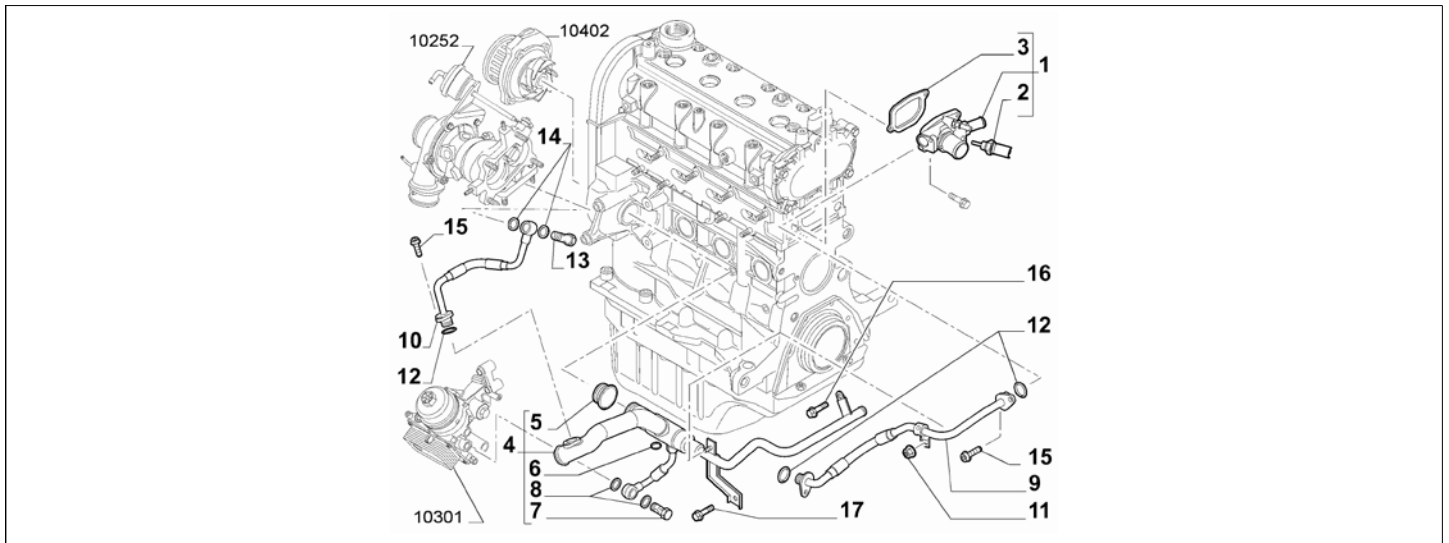
Catalogue	MITO 2008-2011	
Category	5.2 WATER PUMP AND LINES	
Var.	01	1.4 + PETROL + (135HP, 170HP)
Rev.	00	



	Part Num.	Description	Compatibility	Modif.	Qty	Notes	Col.	Reman.
1	A 55284051	WATER PUMP, COMPL			01			
1	A 6000100222	WATER PUMP, COMPL			01			
2	71748938	SEAL GASKET			01			
3	55209300	STUD			01			
4	14084711	NUT			01			
5	18750524	SCREW			03			
6	71753861	SEALER			01			
7	7177194	PLUG			01			

Legend	
1.4	HORSE POWER (MARKET):1370
PETROL	FUEL:PETROL
170HP	POWER:1.4 FIRE 16V TURBO MULTIAIR 170HP EURO 5
135HP	POWER:1.4 FIRE 16V TURBO MULTIAIR 135 HP EURO 5

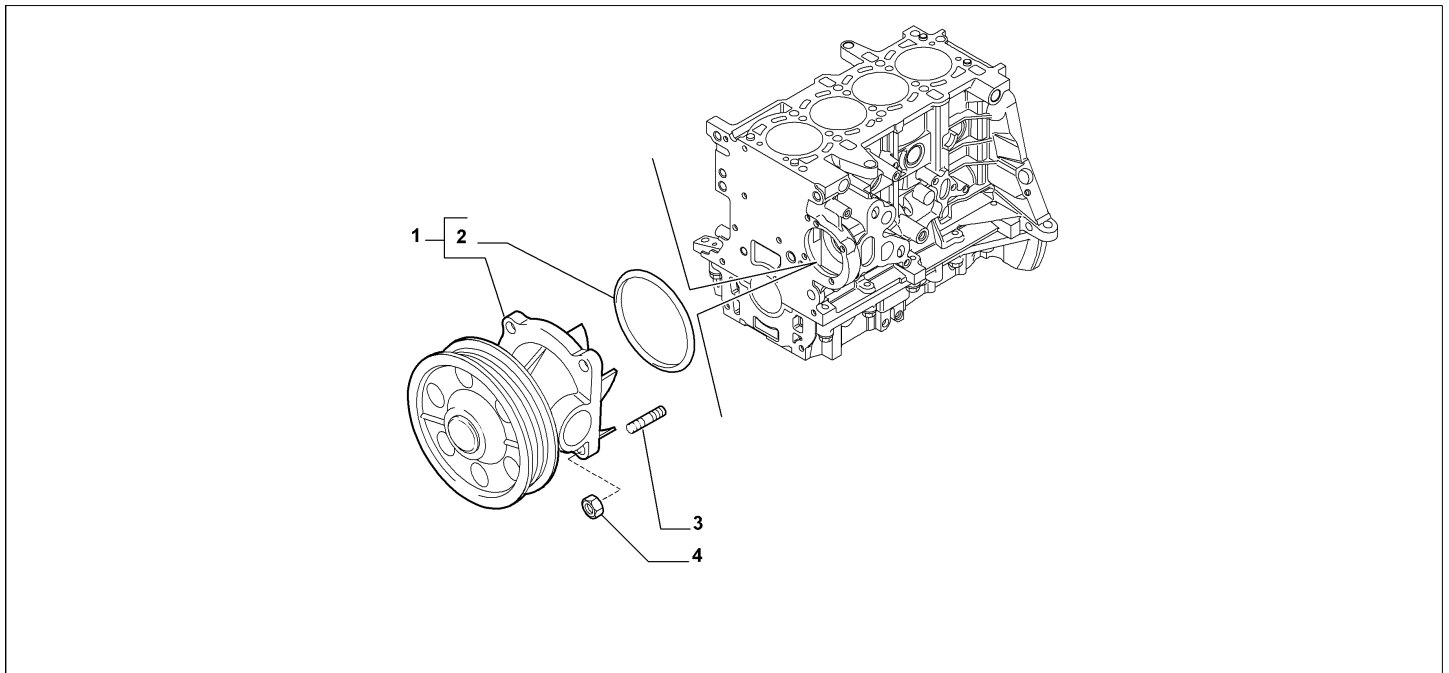
Catalogue	MITO 2008-2011	
Category	5.2 WATER PUMP AND LINES	
Var.	02	1.4 + TURBO + (135HP, 170HP)
Rev.	00	



Part Num.	Description	Compatibility	Modif.	Qty	Notes	Col.	Reman.
1	55215006	THERMOSTAT		01			
2	55190791	SENDING UNIT		01			
3	71753377	SEAL GASKET		01			
4	55219302	PIPE	C14525	01			
4	55229071	PIPE	D14525	1			
5	55185066	SEAL GASKET	C14525	01			
5	71776601	SEAL GASKET	D14525	1			
6	71751497	SEAL GASKET		01			
7	71773593	UNION		01			
8	71749207	SEAL GASKET		02			
9	55215026	PIPE		01			
10	55219159	PIPE		1			
11	55192174	NUT		01			
12	14457081	SEAL GASKET		03			
13	71773592	UNION		01			
14	71752001	SEAL GASKET		02			
15	55206778	SCREW		01			
16	55209733	SCREW		01			
17	11612434	SCREW, M6X16		1			

Legend	
TURBO	(ASPIRATED/TURBO):TURBO
1.4	HORSE POWER (MARKET):1370
170HP	POWER:1.4 FIRE 16V TURBO MULTIAIR 170HP EURO 5
135HP	POWER:1.4 FIRE 16V TURBO MULTIAIR 135 HP EURO 5
14525	New water pump pipe [DAT 31/10/2010]

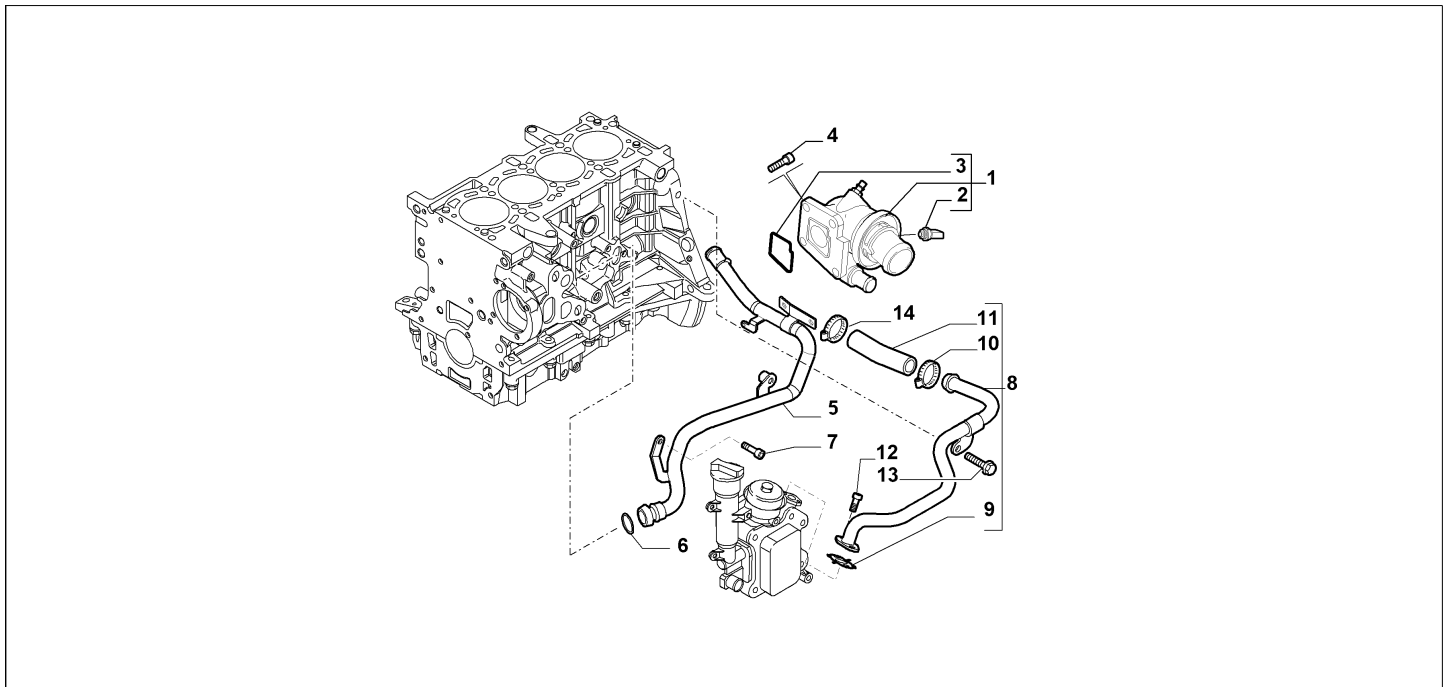
Catalogue	MITO 2008-2011	
Category	5.2 WATER PUMP AND LINES	
Var.	01	1.3D + DIESEL + 90HP + EURO4
Rev.	00	



Part Num.	Description	Compatibility	Modif.	Qty	Notes	Col.	Reman.
1	46815125 WATER PUMP, COMPL			01			
2	71732863 SEAL			01			
3	46820076 STUD, M6X9-22			04			
4	55191552 NUT, DIAM M6			04			

Legend	
1.3D	HORSE POWER (MARKET):1.3
DIESEL	FUEL:DIESEL
EURO4	ECOLOGY:EEC LIM. STAGE 4
90HP	POWER:1.3 SDE 90HP EURO4

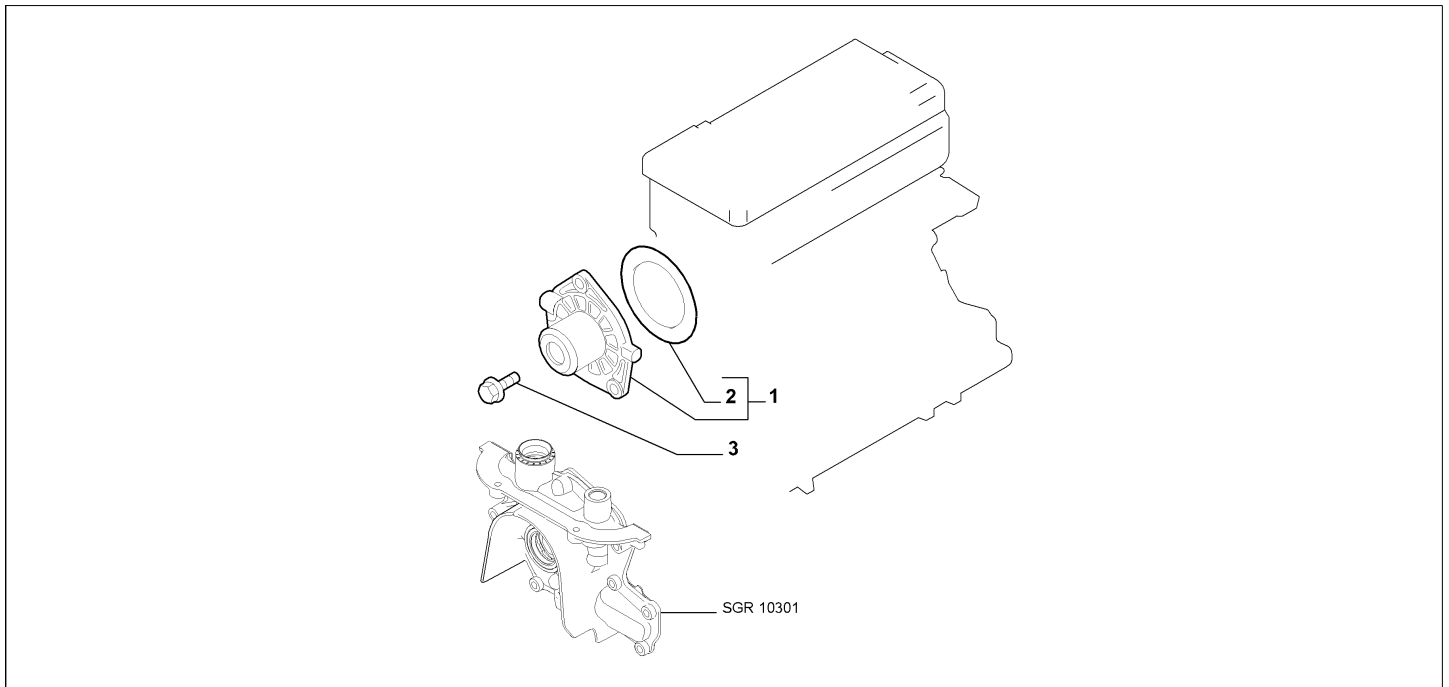
Catalogue	MITO 2008-2011	
Category	5.2 WATER PUMP AND LINES	
Var.	02	1.3D + DIESEL + 90HP + EURO4
Rev.	00	



Part Num.	Description	Compatibility	Modif.	Qty	Notes	Col.	Reman.
1	55224022 THERMOSTAT, COMPL			01			
2	55193203 SENDING UNIT			01			
3	71753046 SEAL GASKET			01			
4	73502574 SCREW AND WASHERASSY, M8X30			02			
5	55202215 PIPE			01			
6	7792369 SEAL GASKET, 2,62X17,12			01			
7	55189538 SCREW, M6X16			02			
8	55188299 PIPE, COMPL			01			
9	73502584 SEAL GASKET			01			
10	11447570 COLLAR, DIAM 20,5-23,0			01			
11	73501357 SLEEVE			01			
12	46339920 SCREW, M6X20			02			
13	55214854 SCREW, M6X32			01			
14	11447570 COLLAR			01			

Legend	
1.3D	HORSE POWER (MARKET):1.3
DIESEL	FUEL:DIESEL
EURO4	ECOLOGY:EEC LIM. STAGE 4
90HP	POWER:1.3 SDE 90HP EURO4

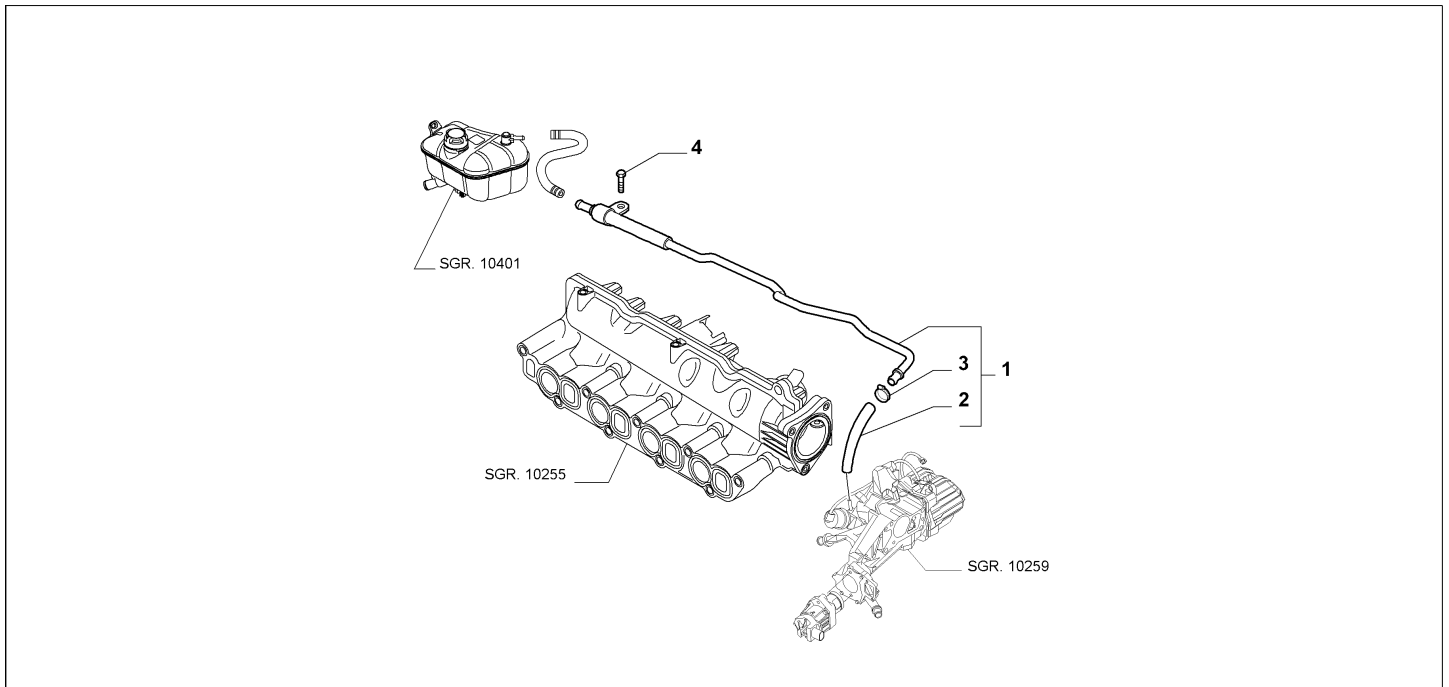
Catalogue	MITO 2008-2011	
Category	5.2 WATER PUMP AND LINES	
Var.	01	1.6D
Rev.	00	



	Part Num.	Description	Compatibility	Modif.	Qty	Notes	Col.	Reman.
1	A 55268918	WATER PUMP, COMPL			01			
1	A 6001073347	WATER PUMP, ESSENTIAL PARTS			01			
2	46772635	SEAL GASKET			01			
3	46804053	SCREW, M8X24			03			

Legend	
1.6D	HORSE POWER (MARKET):1598

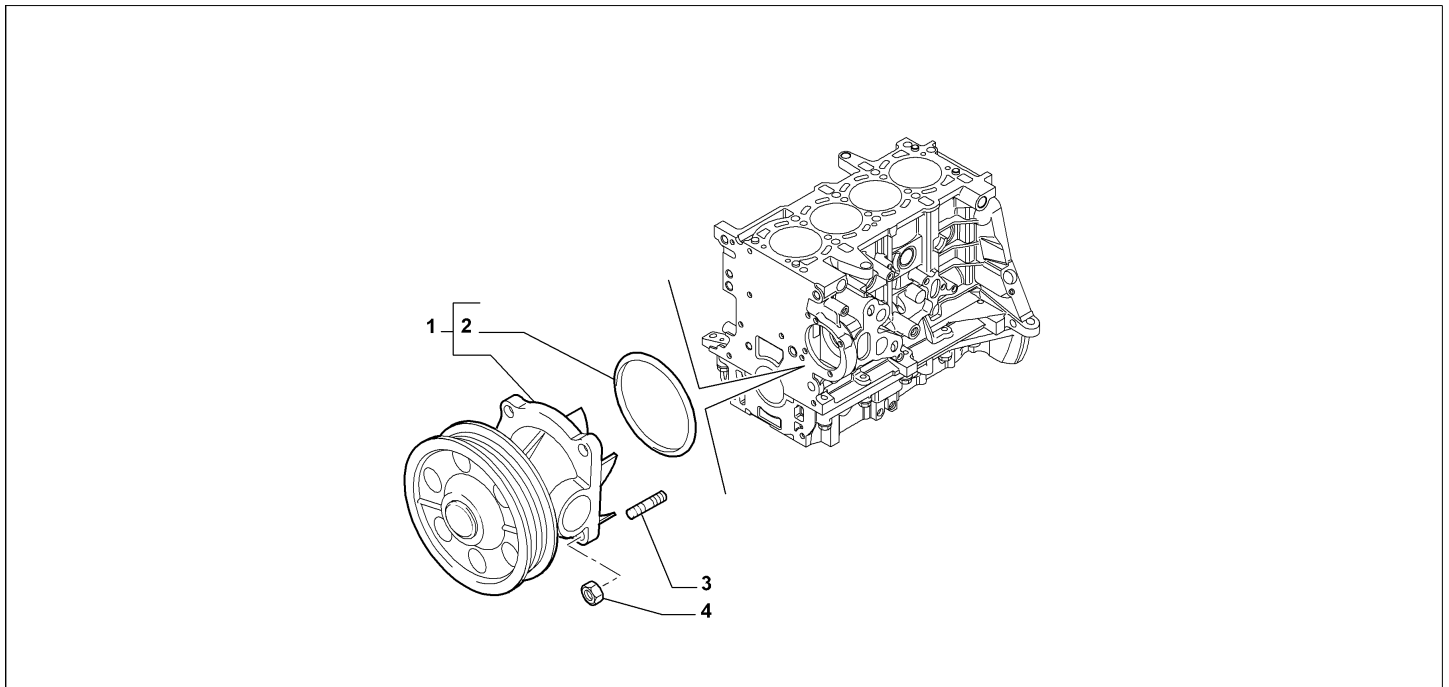
Catalogue	MITO 2008-2011	
Category	5.2 WATER PUMP AND LINES	
Var.	02	1.6D
Rev.	00	



Part Num.	Description	Compatibility	Modif.	Qty	Notes	Col.	Reman.
1	55218930 PIPE, COMPL		C15087	01			
1	55237976 PIPE, PIPES		D15087	01			
2	55205683 SLEEVE			01			
3	13125570 COLLAR, DIAM 13-14			03			
4	16596924 SCREW			01			

Legend	
1.6D	HORSE POWER (MARKET):1598
15087	DEGASSING PIPE [DAT 20/12/2010]

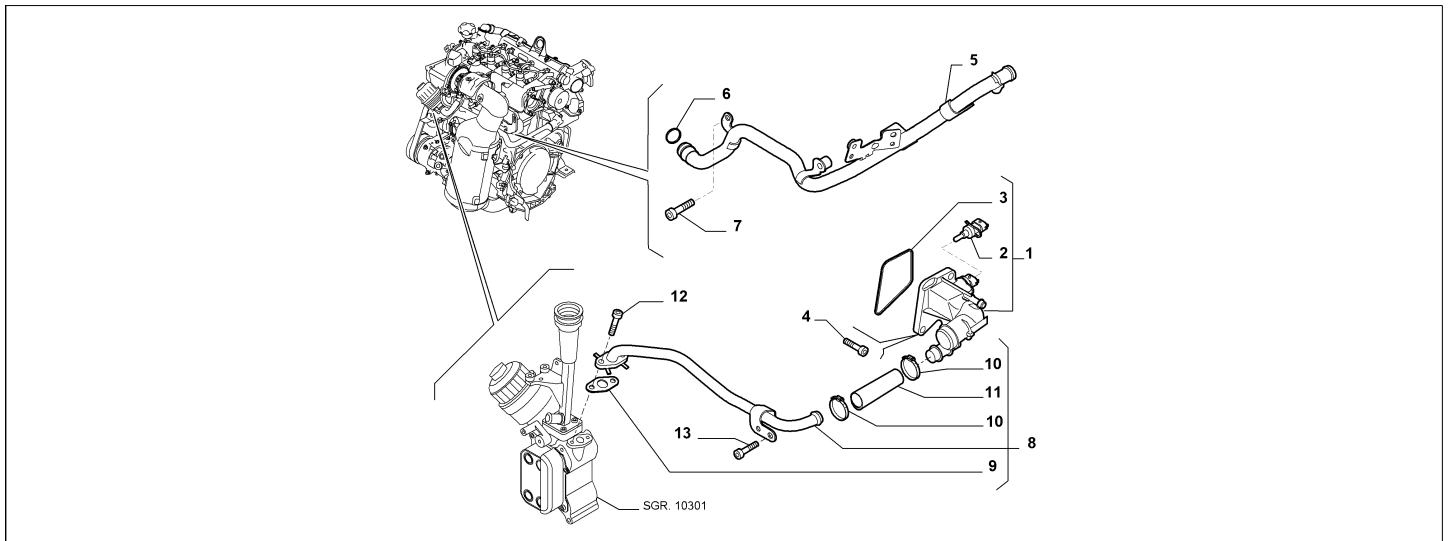
Catalogue	MITO 2008-2011	
Category	5.2 WATER PUMP AND LINES	
Var.	01	1.3D + DIESEL + (95HP, 85HP) + EURO5
Rev.	00	



Part Num.	Description	Compatibility	Modif.	Qty	Notes	Col.	Reman.
1	46815125 WATER PUMP, COMPL			01			
2	71732863 SEAL			01			
3	46820076 STUD, M6X9-22			04			
4	55191552 NUT, DIAM M6			04			

Legend	
1.3D	HORSE POWER (MARKET):1.3
DIESEL	FUEL:DIESEL
EURO5	ECOLOGY:LIM.ECC PHASE 5
85HP	POWER:1.3 SDE 85HP EURO5
95HP	POWER:95HP

Catalogue	MITO 2008-2011	
Category	5.2 WATER PUMP AND LINES	
Var.	02	1.3D + DIESEL + (95HP, 85HP) + EURO5
Rev.	00	



Part Num.	Description	Compatibility	Modif.	Qty	Notes	Col.	Reman.
1	55206391 THERMOSTAT, COMPL	166M		01			
1	55233327 THERMOSTAT, COMPL	66M		01			
2	55206393 SENDING UNIT			01			
3	71738450 SEAL GASKET			01			
4	73502574 SCREW AND WASHER ASSY, M8X30			02			
5	55218942 PIPE			01			
6	7792369 SEAL GASKET, 2,62X17,12			01			
7	55189538 SCREW, M6X16			02			
8	55211397 PIPE			01			
9	73502584 SEAL GASKET			01			
10	11447570 COLLAR, DIAM 20,5-23,0			02			
11	55209535 SLEEVE			01			
12	46339920 SCREW, M6X20			02			
13	55214854 SCREW, M6X32			01			

Legend	
66M	ECO KIT 2
1.3D	HORSE POWER (MARKET):1.3
DIESEL	FUEL:DIESEL
EURO5	ECOLOGY:LIM.ECC PHASE 5
85HP	POWER:1.3 SDE 85HP EURO5
95HP	POWER:95HP