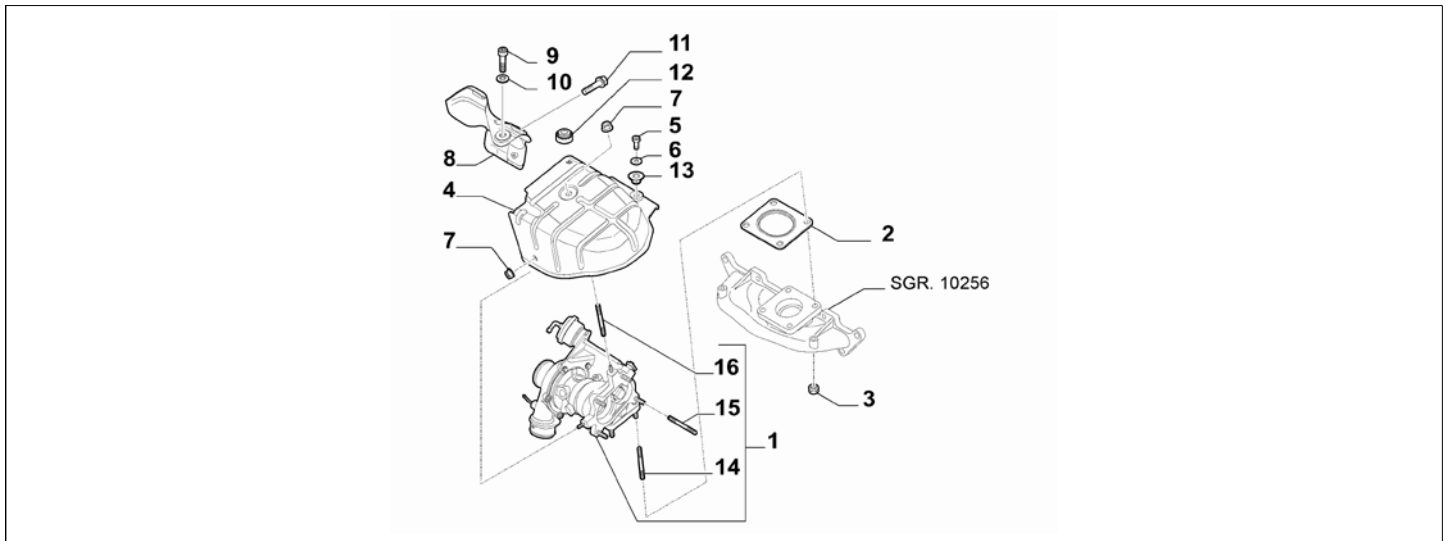


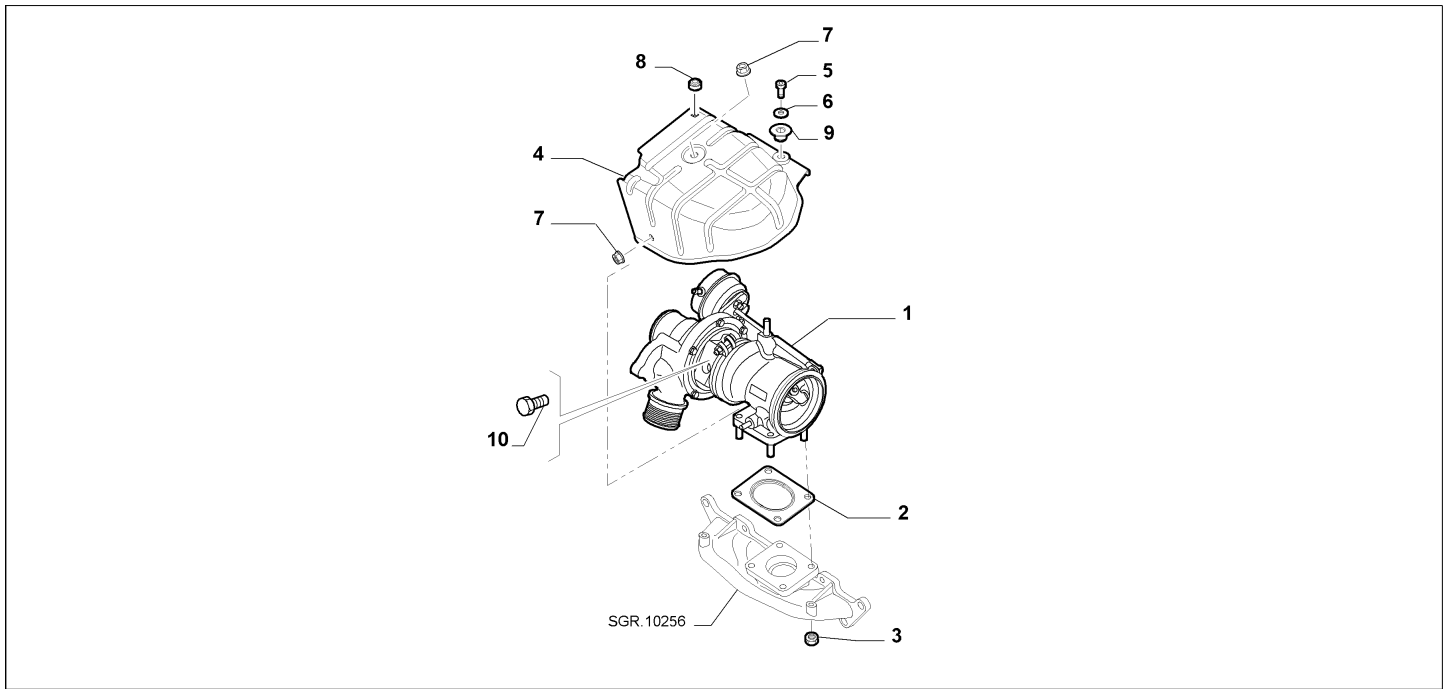
Catalogue	MITO 2008-2011	
Category	3.9 SUPERCHARGING	
Var.	01	1.4 + PETROL + (155HP, 120HP)
Rev.	00	



Part Num.	Description	Compatibility	Modif.	Qty	Notes	Col.	Reman.
1	71724555	TURBOCOMPRESSOR 155HP		01			71724556
1	55212917	TURBOCOMPRESSOR 120HP+EURO4		01			71724559
1	55220546	TURBOCOMPRESSOR 120HP+EURO5		01			
2	55214454	SEAL GASKET	C13511	01			
2	55240963	SEAL GASKET	D13511	01			
3	14119319	NUT		04			
4	55215701	PROTECTION	C13127	01			
4	55218407	PROTECTION	D13127	01			
5	14432224	SCREW		01			
6	14499324	PLANE WASHER		01			
7	55192176	NUT		02			
8	55220714	PROTECTION		01			
9	14432224	SCREW		01			
10	11194379	LOCK WASHER		01			
11	16286024	SCREW		02			
12	55218315	THREADED BUSH	D13127	02			
13	51816568	SPACER	D13127	02			
14	71770146	STUD, M8X1.25X23		4			
15	71770147	STUD, M8X1.25X31.5		4			
16	71770673	STUD, M6X1X15		2			

Legend	
1.4	HORSE POWER (MARKET):1370
PETROL	FUEL:PETROL
EURO4	ECOLOGY:EEC LIM. STAGE 4
EURO5	ECOLOGY:LIM.ECC PHASE 5
155HP	POWER:1.4 FIRE 16V TURBO 155HP (EURO 5)
120HP	POWER:120HP
13127	NEW HEAT SHIELD [DAT 15/12/2008]
13511	GEOMETRY ADJUSTMENT ON EXHAUST PIPE HOLE GARRET TURBIN [DAT 15/09/2008]

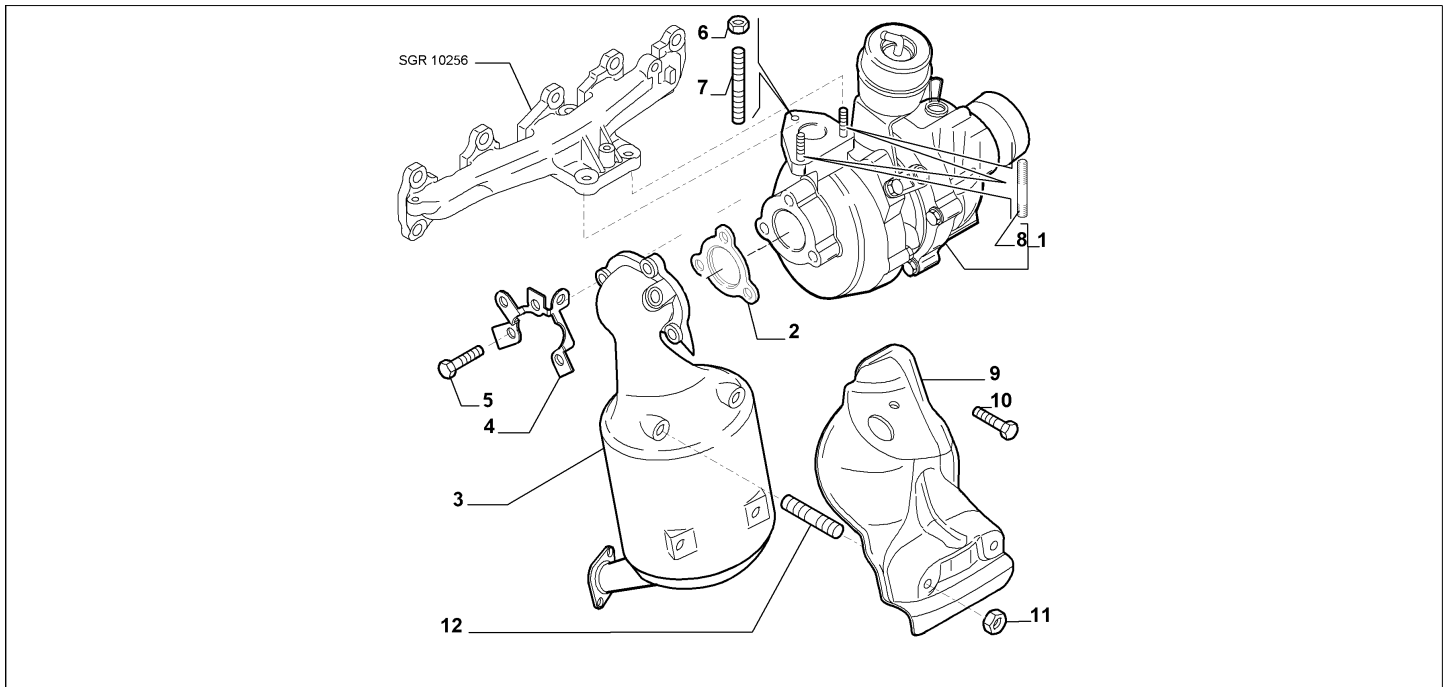
Catalogue	MITO 2008-2011	
Category	3.9 SUPERCHARGING	
Var.	01	1.4 + PETROL + (135HP, 170HP)
Rev.	00	



Part Num.	Description	Compatibility	Modif.	Qty	Notes	Col.	Reman.
1	55228036 TURBOCOMPRESSOR	135HP		01			71724489
1	55231115 TURBOCOMPRESSOR	170HP		01			71724850
2	55240963 SEAL GASKET			01			
3	14119319 NUT			04			
4	55258215 PROTECTION			01			
5	14432224 SCREW			01			
6	14499324 PLANE WASHER			01			
7	55192176 NUT			02			
8	55218315 THREADED BUSH			02			
9	51816568 SPACER			02			
10	55206778 SCREW			02			

Legend	
1.4	HORSE POWER (MARKET):1370
PETROL	FUEL:PETROL
170HP	POWER:1.4 FIRE 16V TURBO MULTIAIR 170HP EURO 5
135HP	POWER:1.4 FIRE 16V TURBO MULTIAIR 135 HP EURO 5

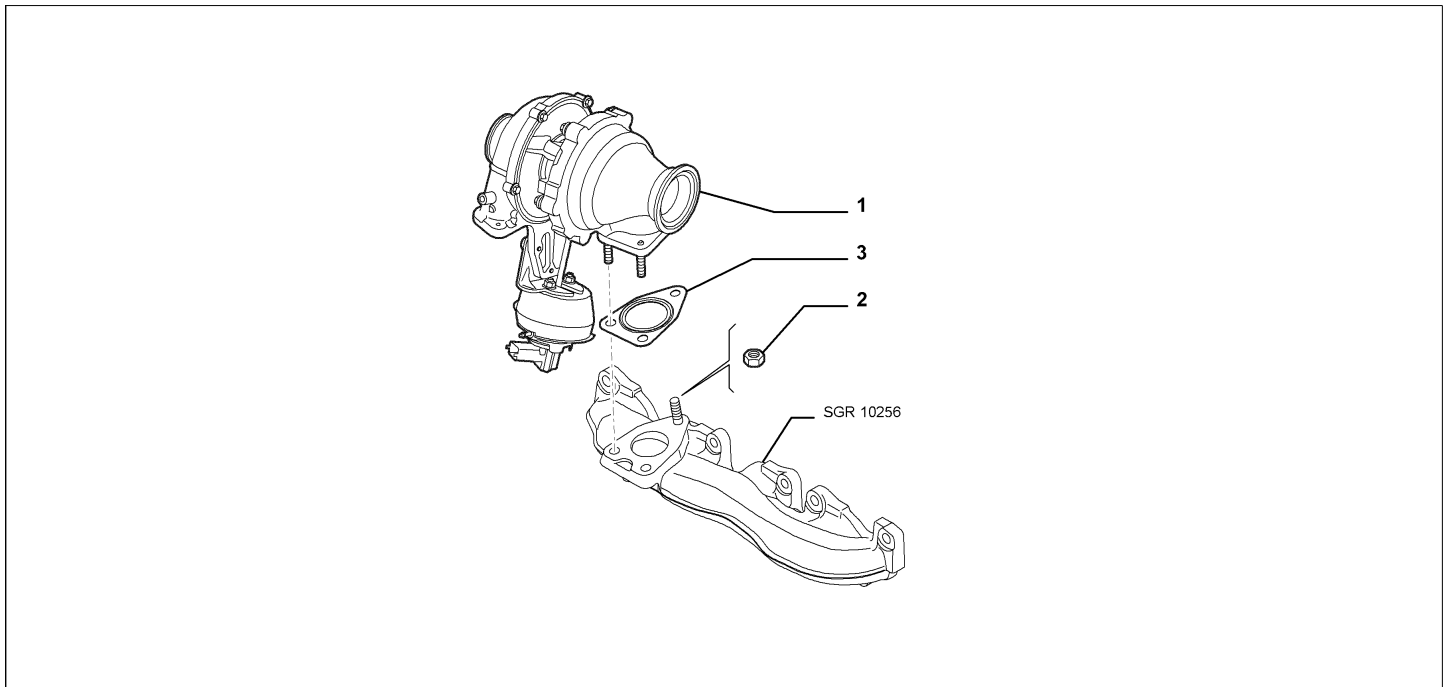
Catalogue	MITO 2008-2011	
Category	3.9 SUPERCHARGING	
Var.	01	1.3D + DIESEL + 90HP + EURO4
Rev.	00	



Part Num.	Description	Compatibility	Modif.	Qty	Notes	Col.	Reman.
1	55198317 TURBOCOMPRESSOR			01			71789039
2	55186494 SEAL GASKET			01			
3	55212561 SILENCER CATALIZED			01			
4	55206736 PLATE			01			
5	55192203 SCREW, M8X30			03			
6	55192175 NUT, DIAM M8			03			
7	55189144 STUD, M8X12-50			01			
8	71736530 STUD			02			
9	55201491 PROTECTION			01			
10	16297621 SCREW, M6X10			02			
11	55192176 NUT, M6			02			
12	10561421 STUD			02			

Legend	
1.3D	HORSE POWER (MARKET):1.3
DIESEL	FUEL:DIESEL
EURO4	ECOLOGY:EEC LIM. STAGE 4
90HP	POWER:1.3 SDE 90HP EURO4

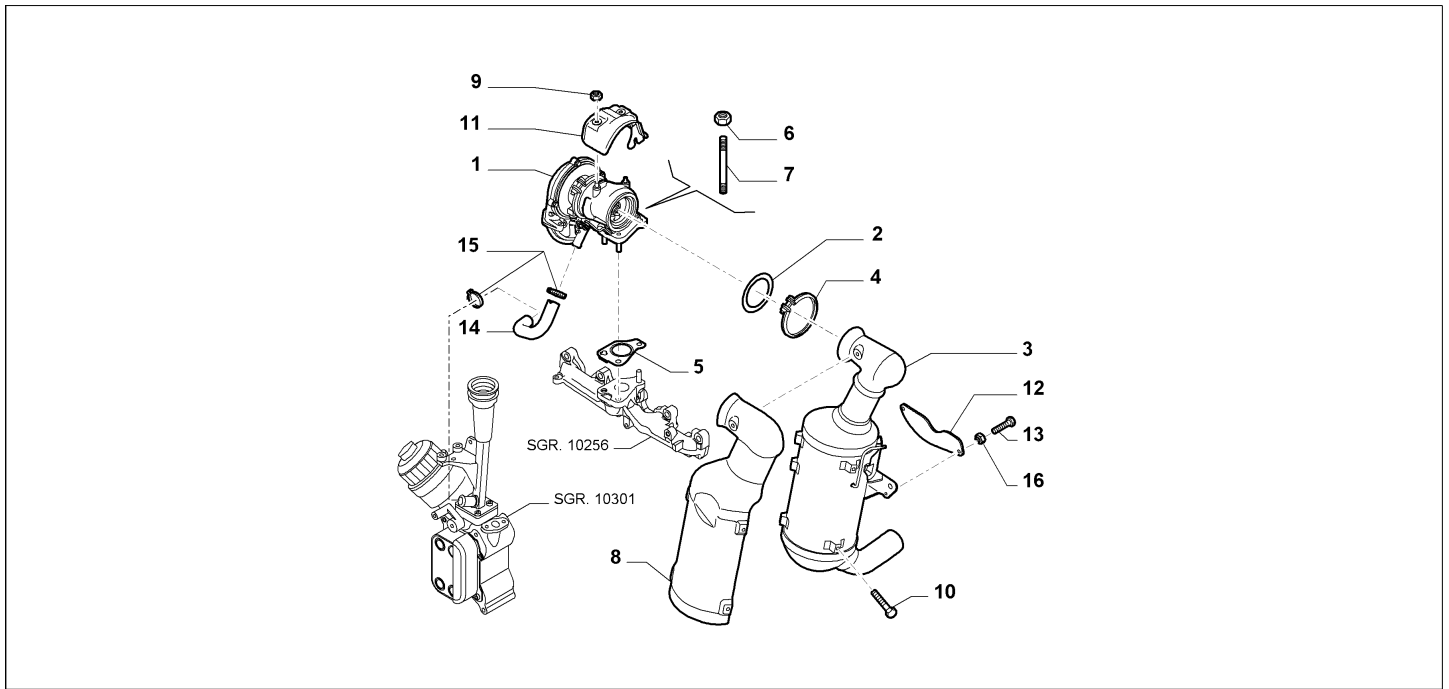
Catalogue	MITO 2008-2011	
Category	3.9 SUPERCHARGING	
Var.	01	1.6D
Rev.	00	



Part Num.	Description	Compatibility	Modif.	Qty	Notes	Col.	Reman.
1	55220701	TURBOCOMPRESSOR	C14257	01			71794564
1	55229857	TURBOCOMPRESSOR	D14257, C15034	01			71724373
1	55230178	TURBOCOMPRESSOR	D15034	01			71724374
2	55206854	NUT		03			
3	55206838	SEAL GASKET		01			

Legend	
1.6D	HORSE POWER (MARKET):1598
14257	New turbocharger [DAT 30/06/2011]
15034	NEW TURBOCHARGER [DAT 30/11/2010]

Catalogue	MITO 2008-2011	
Category	3.9 SUPERCHARGING	
Var.	01	1.3D + DIESEL + (95HP, 85HP) + EURO5
Rev.	00	



Part Num.	Description	Compatibility	Modif.	Qty	Notes	Col.	Reman.
1	55221160 TURBOCOMPRESSOR	95HP		01			71794959
1	71794956 TURBOCOMPRESSOR	85HP		01			71794957
2	55213924 SEAL GASKET			01			
3	55230485 SILENCER CATALIZED	95HP	C14376	01			
3	55234961 SILENCER CATALIZED	95HP	D14376	01			
3	55230850 SILENCER CATALIZED	85HP		01			
4	55209833 COLLAR			01			
5	55212464 SEAL GASKET			01			
6	55192175 NUT, DIAM M8			03			
7	55205456 STUD, M8X12-25			01			
8	55217452 PROTECTION			01			
9	55192176 NUT, DIAM 6			03			
10	55192179 SCREW, M6X16			02			
11	55229834 PROTECTION			01			
12	55217450 BRACKET			01			
13	18752121 SCREW, M8X18			03			
14	55256543 SLEEVE			01			
15	55223383 COLLAR			02			
16	55206854 NUT			02			

Legend	
1.3D	HORSE POWER (MARKET):1.3
DIESEL	FUEL:DIESEL
EURO5	ECOLOGY:LIM.ECC PHASE 5
85HP	POWER:1.3 SDE 85HP EURO5
95HP	POWER:95HP
14376	Introduction of a new catalytic converter with particulate filter and relating engine control units [DAT 30/11/2010]