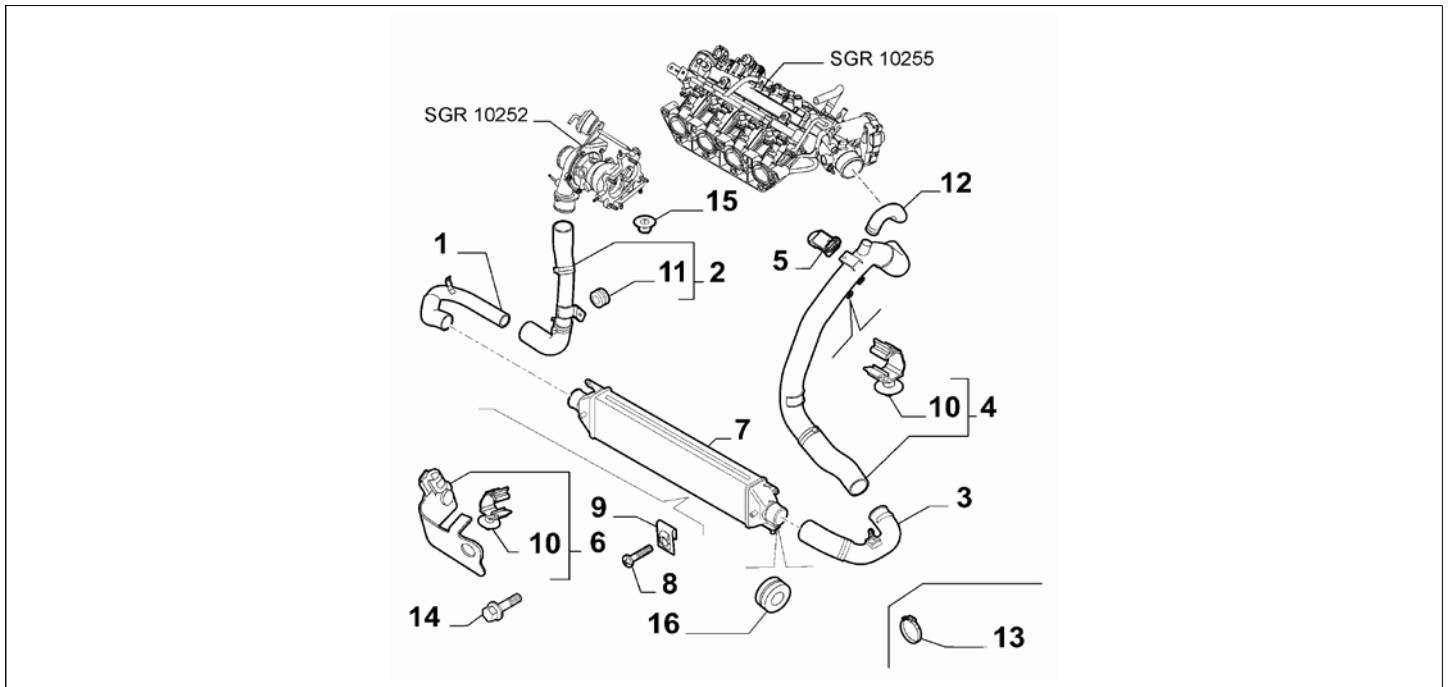


Catalogue	MITO 2008-2011	
Category	3.8 HEAT EXCHANGER PIPELINE	
Var.	01	155HP, 1.4 + 120HP, 135HP, 170HP
Rev.	00	

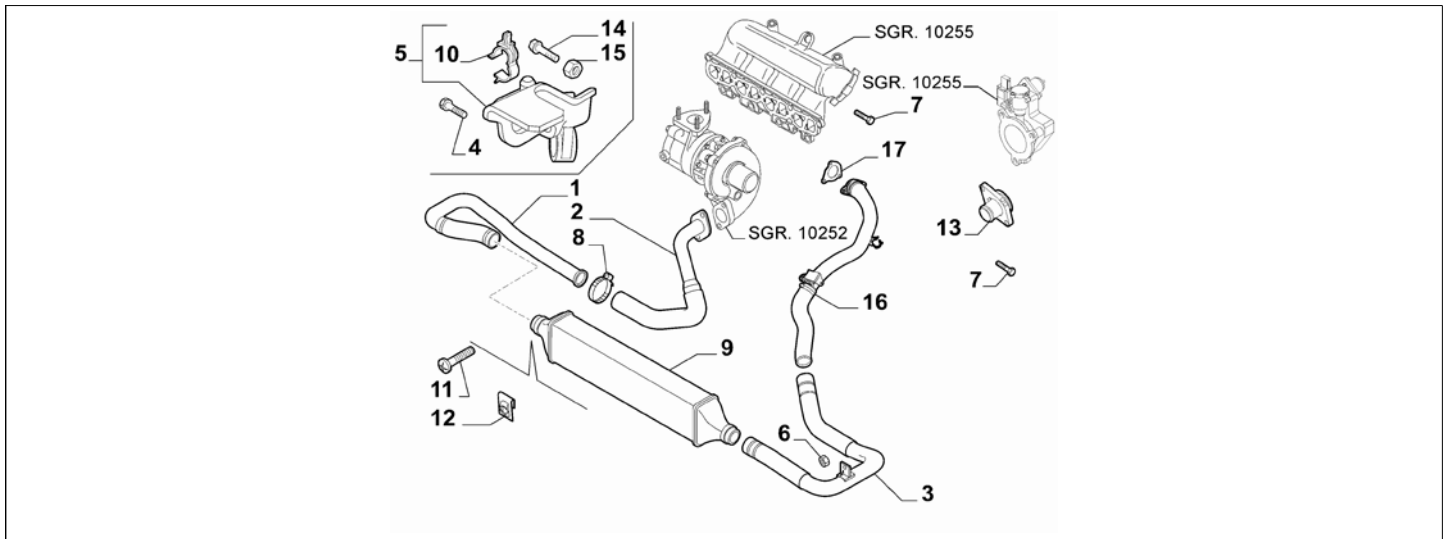


Part Num.	Description	Compatibility	Modif.	Qty	Notes	Col.	Reman.
1	51825574 SLEEVE		C12997	01			
1	51838612 SLEEVE	120HP, 155HP	D12997	01			
1	50518139 SLEEVE	135HP, 170HP	C14092	01			
1	50518981 SLEEVE	135HP, 170HP	D14092	01			
2	51816892 SLEEVE, COMPL	155HP	C12997	01			
2	51838613 SLEEVE, COMPL	155HP	D12997	01			
2	51816894 SLEEVE	120HP	C12997	01			
2	51838614 SLEEVE	120HP	D12997	01			
2	50515067 SLEEVE	135HP+PCC510		1			
2	51888099 SLEEVE	PCC635+ITCT		1			
2	50516180 SLEEVE	TCT		1			
3	51825661 SLEEVE	120HP, 155HP		01			
3	51852517 SLEEVE	135HP, 170HP	C14092	01			
3	50518982 SLEEVE	135HP, 170HP	D14092	01			
3	51825661 SLEEVE	120HP, 155HP		1			
4	50515359 SLEEVE	PCC544		1			
4	51825650 SLEEVE	120HP		1			
4	50519424 SLEEVE	135HP+PCC510		1			
4	50519426 SLEEVE	TCT		1			
4	50519425 SLEEVE	PCC635+ITCT		1			
5	55206796 SENDING UNIT	PCC544		1			
5	55219295 SENDING UNIT	PCC635+ITCT		1			
5	55219295 SENDING UNIT	PCC635+TCT		1			
6	55235132 BRACKET	135HP+PCC635		1			
6	55226799 BRACKET	135HP+PCC510		1			
6	55215035 BRACKET	120HP, 155HP		1			
6	55224593 BRACKET	170HP		1			
7	51783791 HEAT EXCHANGER			01			
8	18750524 SCREW			02			

9	14189071	BRACKET			02			
10	51834443	CLIP			02			
11	51821207	PAD	PCC635+ITCT		01			
12	50515361	SLEEVE	155HP		1			
13	71714117	COLLAR, DIAM 60			05			
13	71714116	COLLAR, DIAM 55			01			
13	13097290	COLLAR, DIAM 35			01			
14	16286121	SCREW			1			
15	51816568	SPACER	PCC635+ITCT		1			
16	7742733	RUBBER BUSHING			02			

Legend	
TCT	SPECIFIC GEARBOX
1.4	HORSE POWER (MARKET):1370
155HP	POWER:1.4 FIRE 16V TURBO 155HP (EURO 5)
170HP	POWER:1.4 FIRE 16V TURBO MULTIAIR 170HP EURO 5
120HP	POWER:120HP
135HP	POWER:1.4 FIRE 16V TURBO MULTIAIR 135 HP EURO 5
PCC510	GEARBOX DESIGN:GEARBOX
PCC544	GEARBOX DESIGN:GEARBOX 20/28 KGM (M20/M28 3H)
PCC635	GEARBOX DESIGN:GEARBOX 35 KGM
12997	NEW INTERCOOLER TURBINE PIPING WITH VARIED RECIPROCAL OBJECTIFICATION NOTCH [DAT 15/10/2008]
14092	NEW INTERCOOLER PIPING FASTENERS [DAT 12/06/2009]

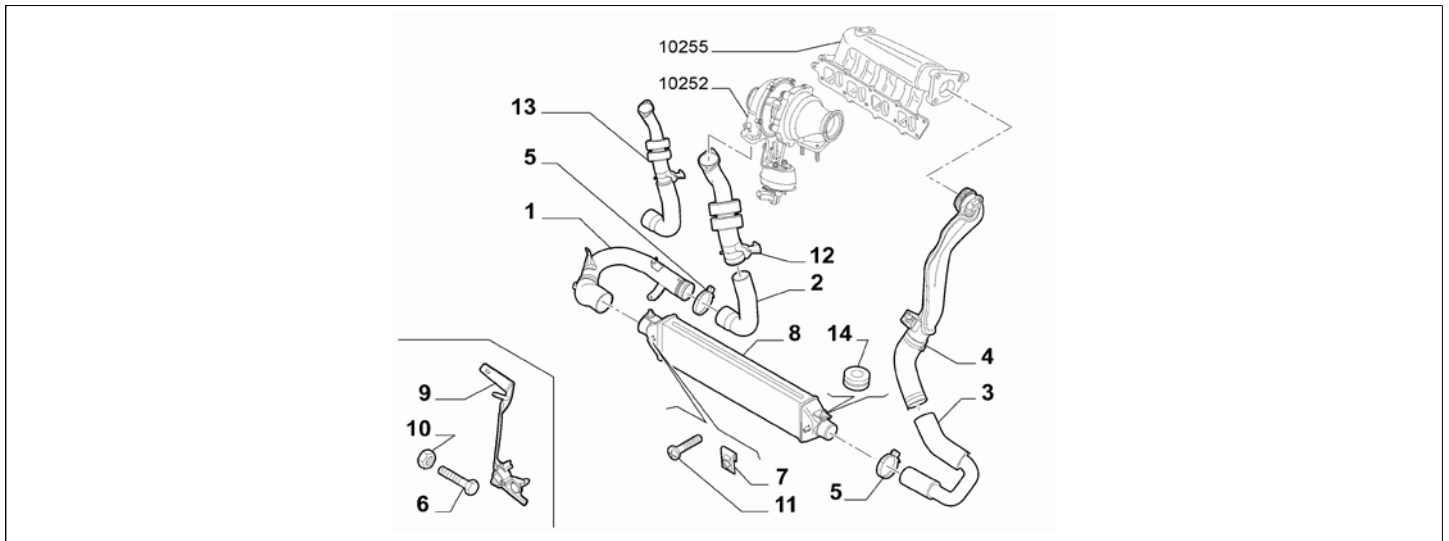
Catalogue	MITO 2008-2011	
Category	3.8 HEAT EXCHANGER PIPELINE	
Var.	01	1.3D + (90HP, 95HP)
Rev.	00	



Part Num.	Description	Compatibility	Modif.	Qty	Notes	Col.	Reman.
1	55703073 SLEEVE			01			
2	55703072 SLEEVE			1			
3	55703081 SLEEVE			01			
4	18750624 SCREW			02			
5	55188708 BRACKET			01			
6	12578118 NUT			01			
7	10707024 SCREW, M6X18			03			
8	71714115 COLLAR			02			
9	51837369 HEAT EXCHANGER			01			
10	55185977 CLIP			01			
11	18750524 SCREW			02			
12	14189071 BRACKET			02			
13	51785736 CONNECTION			01			
14	15698004 SCREW			02			
15	55192174 NUT			02			
16	51785735 SLEEVE			1			
17	14464586 SEAL GASKET			1			

Legend	
1.3D	HORSE POWER (MARKET):1.3
90HP	POWER:1.3 SDE 90HP EURO4
95HP	POWER:95HP

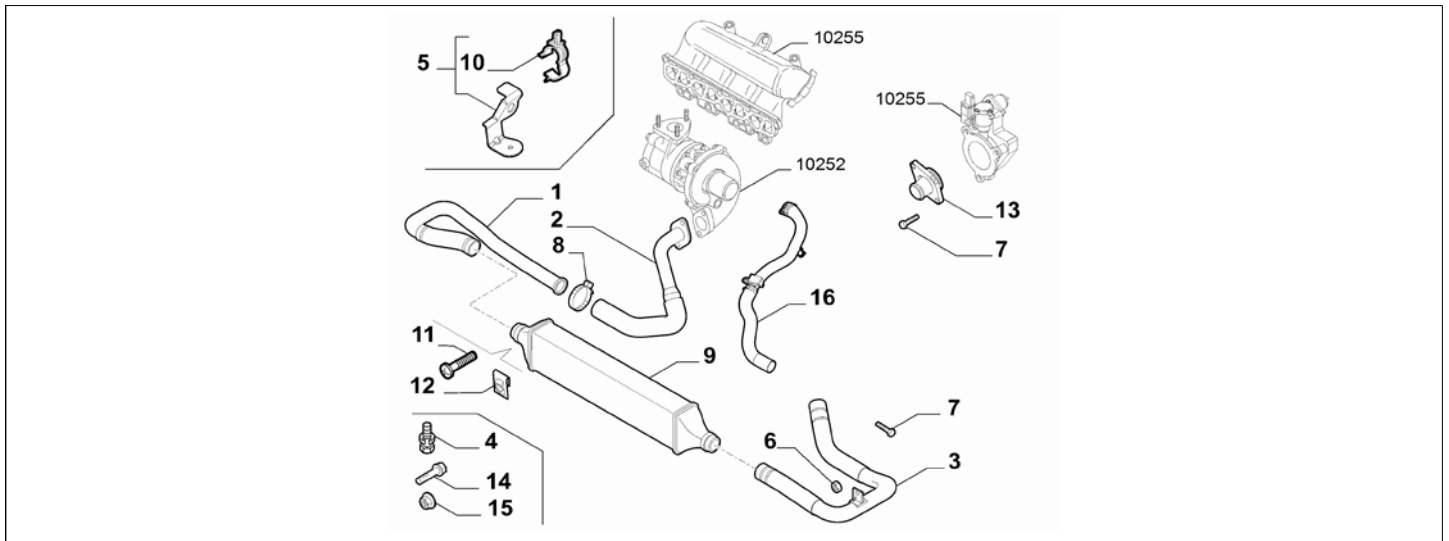
Catalogue	MITO 2008-2011	
Category	3.8 HEAT EXCHANGER PIPELINE	
Var.	01	1.6D
Rev.	00	



Part Num.	Description	Compatibility	Modif.	Qty	Notes	Col.	Reman.
1	50516425	PIPE	C14143	01			
1	51852515	PIPE	D14143, C14093	01			
1	50520203	PIPE	D14093	01			
2	50516184	SLEEVE		01			
3	51825661	SLEEVE	C14143	01			
3	51852517	SLEEVE	D14143	01			
4	50508377	SLEEVE	PCC544	01			
4	50518304	SLEEVE	PCC635	01			
5	71714117	COLLAR, DIAM 50-70		02			
6	16388824	SCREW, M6X18		02			
7	14189071	BRACKET		02			
8	51783791	HEAT EXCHANGER		01			
9	55212964	BRACKET		01			
10	14066011	NUT		01			
11	18750524	SCREW		02			
12	50513355	PIPE		01			
13	50516866	SLEEVE		01			
14	7742733	RUBBER BUSHING		02			

Legend	
1.6D	HORSE POWER (MARKET):1598
PCC544	GEARBOX DESIGN:GEARBOX 20/28 KGM (M20/M28 3H)
PCC635	GEARBOX DESIGN:GEARBOX 35 KGM
14093	NEW INTERCOOLER PIPING [DAT 22/04/2010]
14143	NEW INTERCOOLER PIPES WITH DECOUPLING RUBBER PARTS [DAT 25/05/2009]

Catalogue	MITO 2008-2011	
Category	3.8 HEAT EXCHANGER PIPELINE	
Var.	01	85HP, 90HP, 95HP
Rev.	00	



Part Num.	Description	Compatibility	Modif.	Qty	Notes	Col.	Reman.
1	55703073 SLEEVE	EURO4		1			
1	51871134 SLEEVE	EURO5	C13645	1			
1	51878736 SLEEVE	EURO5	D13645	1			
2	55703072 SLEEVE	EURO4		1			
2	51887300 SLEEVE	EURO5		1			
3	55703081 SLEEVE	EURO4		1			
3	51878740 SLEEVE	EURO5		1			
4	18750624 SCREW			04			
5	55188708 BRACKET	PCC544		1			
5	55218323 BRACKET	EURO5		1			
6	12578118 NUT			01			
7	10707024 SCREW, M6X18			03			
8	71714115 COLLAR			02			
9	51837369 HEAT EXCHANGER			01			
10	55185977 CLIP			01			
11	18750524 SCREW			02			
12	14189071 BRACKET			02			
13	51785736 CONNECTION			01			
14	15698004 SCREW			02			
15	55192174 NUT			01			
16	51816510 SLEEVE	EURO5		1			

Legend	
EURO4	ECOLOGY:EEC LIM. STAGE 4
EURO5	ECOLOGY:LIM.ECC PHASE 5
85HP	POWER:1.3 SDE 85HP EURO5
90HP	POWER:1.3 SDE 90HP EURO4
95HP	POWER:95HP
PCC544	GEARBOX DESIGN:GEARBOX 20/28 KGM (M20/M28 3H)
13645	NEW INTERCOOLER AIR INLET/OUTLET HOSES [DAT 21/05/2010]