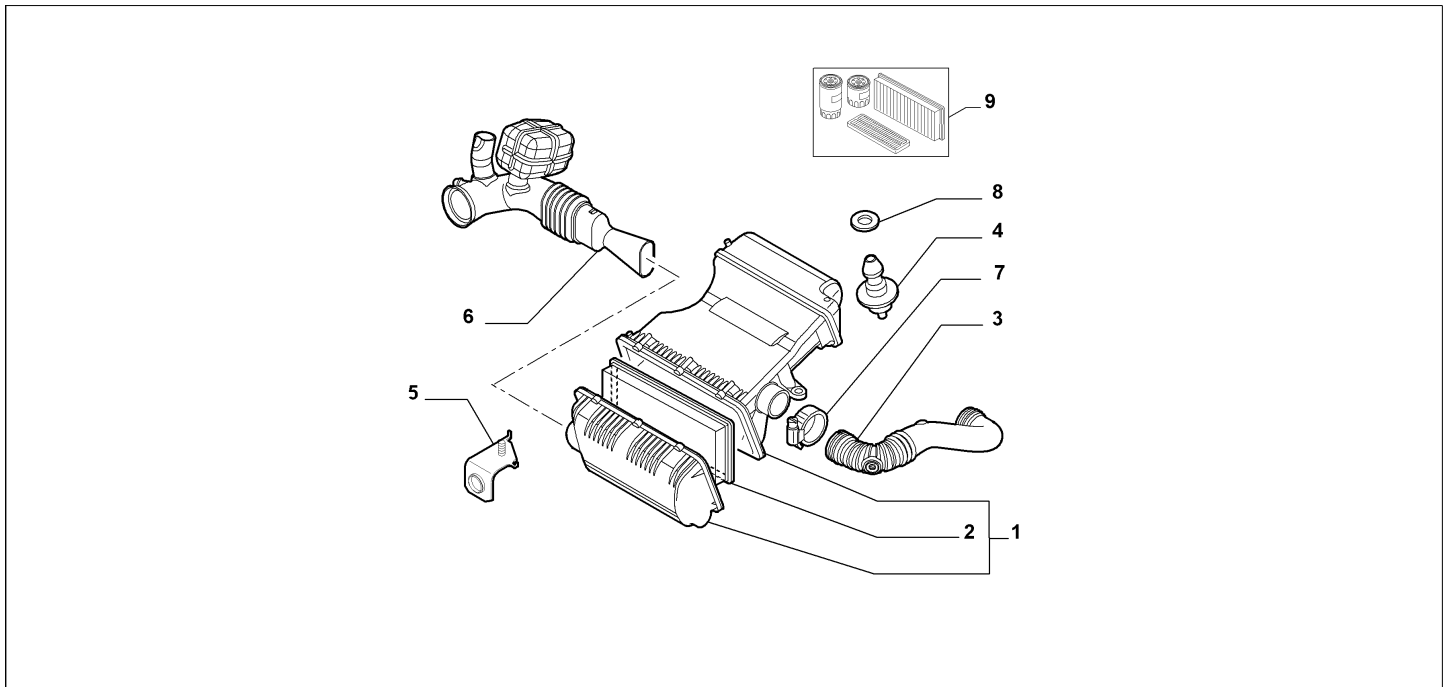


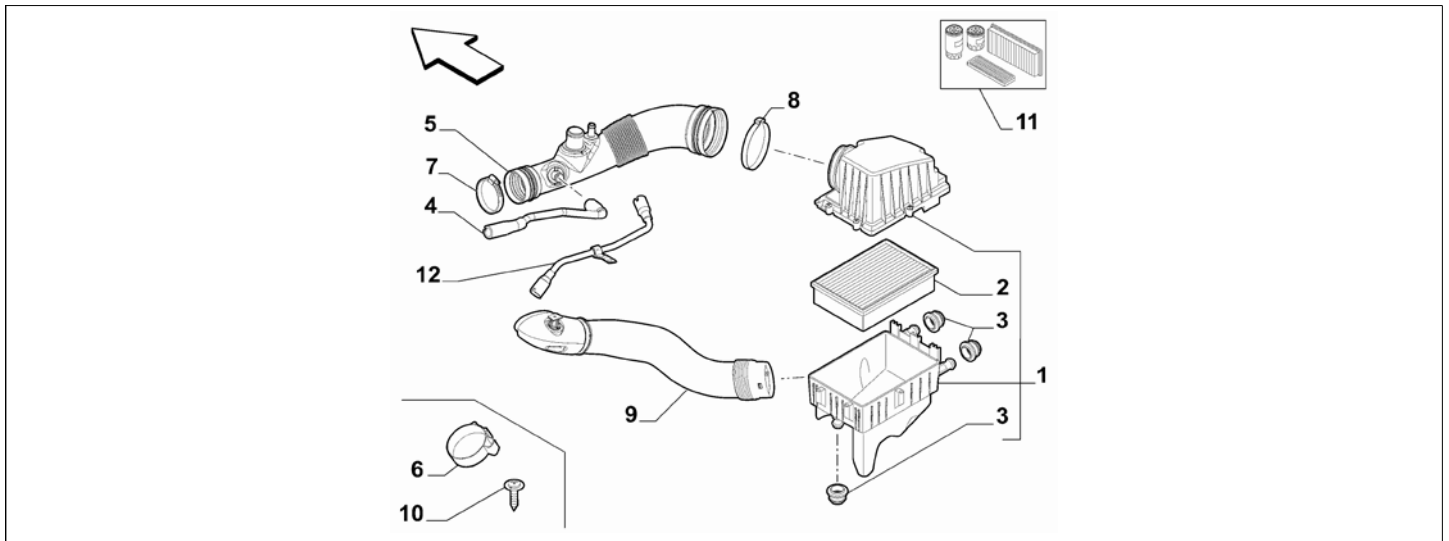
Catalogue	MITO 2008-2011	
Category	3.5 AIR CLEANER AND DUCTS	
Var.	01	78HP, 105HP
Rev.	00	



Part Num.	Description	Compatibility	Modif.	Qty	Notes	Col.	Reman.
1	50508440 AIR CLEANER, COMPL	78HP		01			
1	50515279 AIR CLEANER, COMPL	105HP		01			
2 A	51775340 FILTERING ELEMENT	78HP		01			
2 A	6001073231 FILTERING ELEMENT, ESSENTIAL PARTS	78HP		01			
2	50515501 FILTERING ELEMENT	105HP		01			
3	51777759 SLEEVE	78HP		01			
3	50518137 SLEEVE	105HP		01			
4	51834042 SCREW AND WASHER ASSY			01			
5	51775002 BRACKET			01			
6	52122710 AIR INTAKE	78HP+1230		1			
6	51834041 AIR INTAKE	78HP+230		1			
6	50515512 AIR INTAKE	105HP		1			
7	71714116 COLLAR, DIAM 54,5			01			
7	13130570 COLLAR, DIAM 60,5			01			
8	12648924 PLANE WASHER			01			
9	71765182 FILTER KIT			01	KIT		

Legend	
230	GAS DISCHARGE HEADLIGHTS
78HP	POWER:1.4 FIRE 16V 78HP EURO5
105HP	POWER:1.4 FIRE 16V MULTIAIR 105HP (EURO 5)

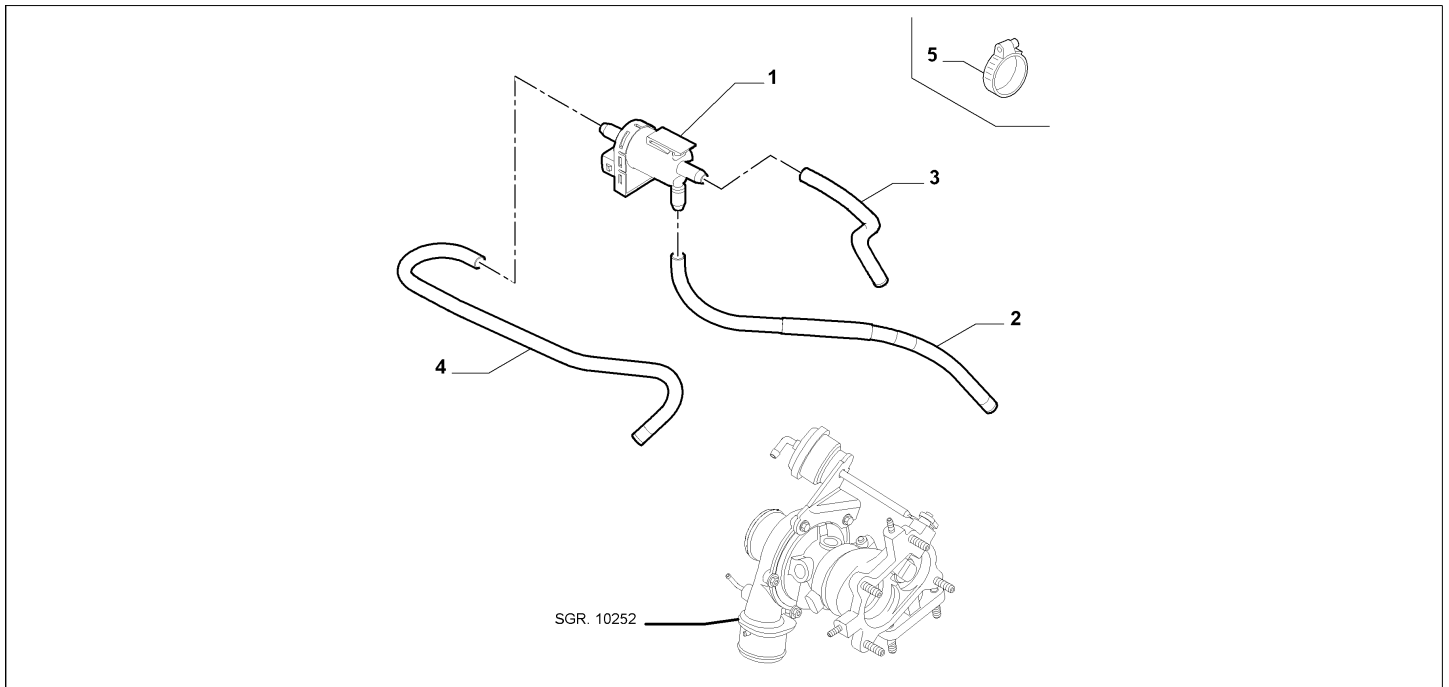
Catalogue	MITO 2008-2011	
Category	3.5 AIR CLEANER AND DUCTS	
Var.	01	155HP, 135HP, 170HP
Rev.	00	



Part Num.	Description	Compatibility	Modif.	Qty	Notes	Col.	Reman.
1	50514227 AIR CLEANER	135HP, 155HP, 170HP		1			
2	51830174 FILTERING ELEMENT	135HP, 155HP, 170HP		1			
3	51830176 PAD	135HP, 155HP, 170HP		1			
4	55218556 HOSE	155HP		1			
5	50514229 SLEEVE	155HP		1			
5	50515505 SLEEVE	135HP+ITCT		1			
5	50516362 SLEEVE	TCT		1			
5	50515513 SLEEVE	170HP		1			
6	13131270 COLLAR, DIAM 27,5			01			
7	13000790 COLLAR, D 56			01			
8	13129070 COLLAR, D 32,0			02			
8	13126270 COLLAR, D 21,5			02			
8	13131570 COLLAR, D 80,0			01			
9	50510629 AIR INTAKE	135HP		1			
9	50510629 AIR INTAKE	170HP		1			
9	50513717 AIR INTAKE	155HP		1			
10	16084304 SCREW, M5X16			01			
11	71765219 FILTER KIT			01	KIT		
12	51864823 HOSE	1.4+135HP, 1.4+170HP		1			

Legend	
TCT	SPECIFIC GEARBOX
1.4	HORSE POWER (MARKET):1370
155HP	POWER:1.4 FIRE 16V TURBO 155HP (EURO 5)
170HP	POWER:1.4 FIRE 16V TURBO MULTIAIR 170HP EURO 5
135HP	POWER:1.4 FIRE 16V TURBO MULTIAIR 135 HP EURO 5

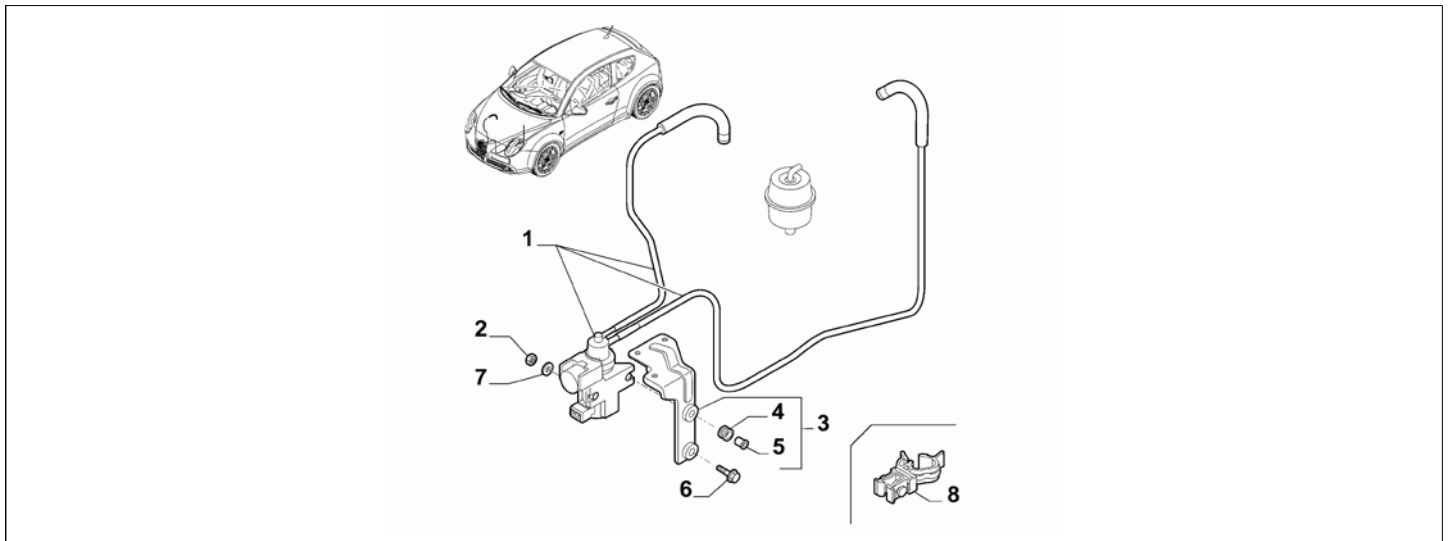
Catalogue	MITO 2008-2011	
Category	3.5 AIR CLEANER AND DUCTS	
Var.	02	155HP, 135HP, 170HP
Rev.	00	



Part Num.	Description	Compatibility	Modif.	Qty	Notes	Col.	Reman.
1	46813571 ELECTRO-VALVE	155HP		1			
1	55212397 ELECTRO-VALVE	135HP, 170HP		1			
2	51810327 HOSE	155HP		1			
2	50518351 HOSE	135HP, 170HP		1			
3	51810328 HOSE	155HP		1			
4	51810329 HOSE	155HP		1			
4	50521320 HOSE	135HP, 170HP		1			
5	13432570 COLLAR, DIAM. 9,5			01			

Legend	
155HP	POWER:1.4 FIRE 16V TURBO 155HP (EURO 5)
170HP	POWER:1.4 FIRE 16V TURBO MULTIAIR 170HP EURO 5
135HP	POWER:1.4 FIRE 16V TURBO MULTIAIR 135 HP EURO 5

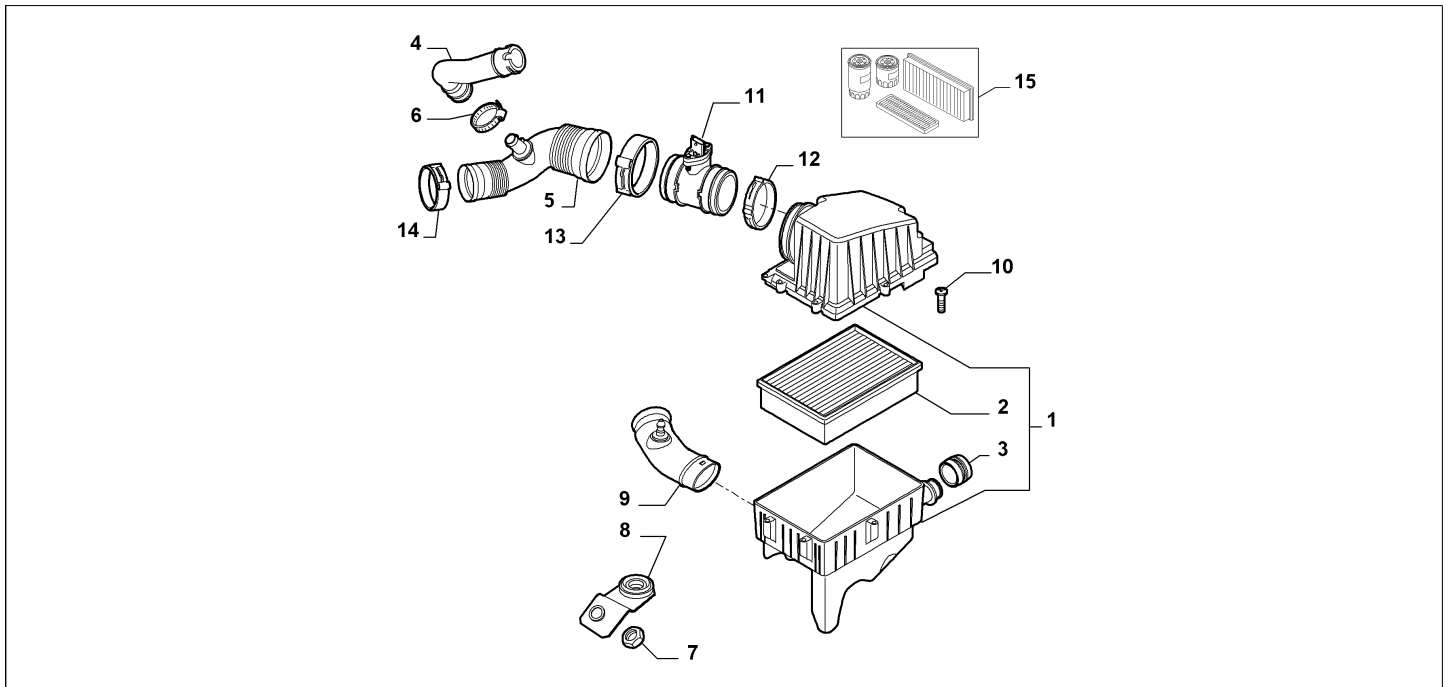
Catalogue	MITO 2008-2011	
Category	3.5 AIR CLEANER AND DUCTS	
Var.	01	1.6D
Rev.	00	



Part Num.	Description	Compatibility	Modif.	Qty	Notes	Col.	Reman.
1	50508383 ELECTRO-VALVE	PCC544		1			
1	50518665 ELECTRO-VALVE	PCC635		1			
2	55192176 NUT			01			
3	50510292 BRACKET, COMPL	PCC544		1			
3	50518721 BRACKET, COMPL	PCC635		1			
4	46445134 SPACER			02			
5	4130912 PAD			02			
6	14114710 SCREW, M6X12			01			
7	12647721 PLANE WASHER			02			
8	46458685 CLIP			03			

Legend	
1.6D	HORSE POWER (MARKET):1598
PCC544	GEARBOX DESIGN:GEARBOX 20/28 KGM (M20/M28 3H)
PCC635	GEARBOX DESIGN:GEARBOX 35 KGM

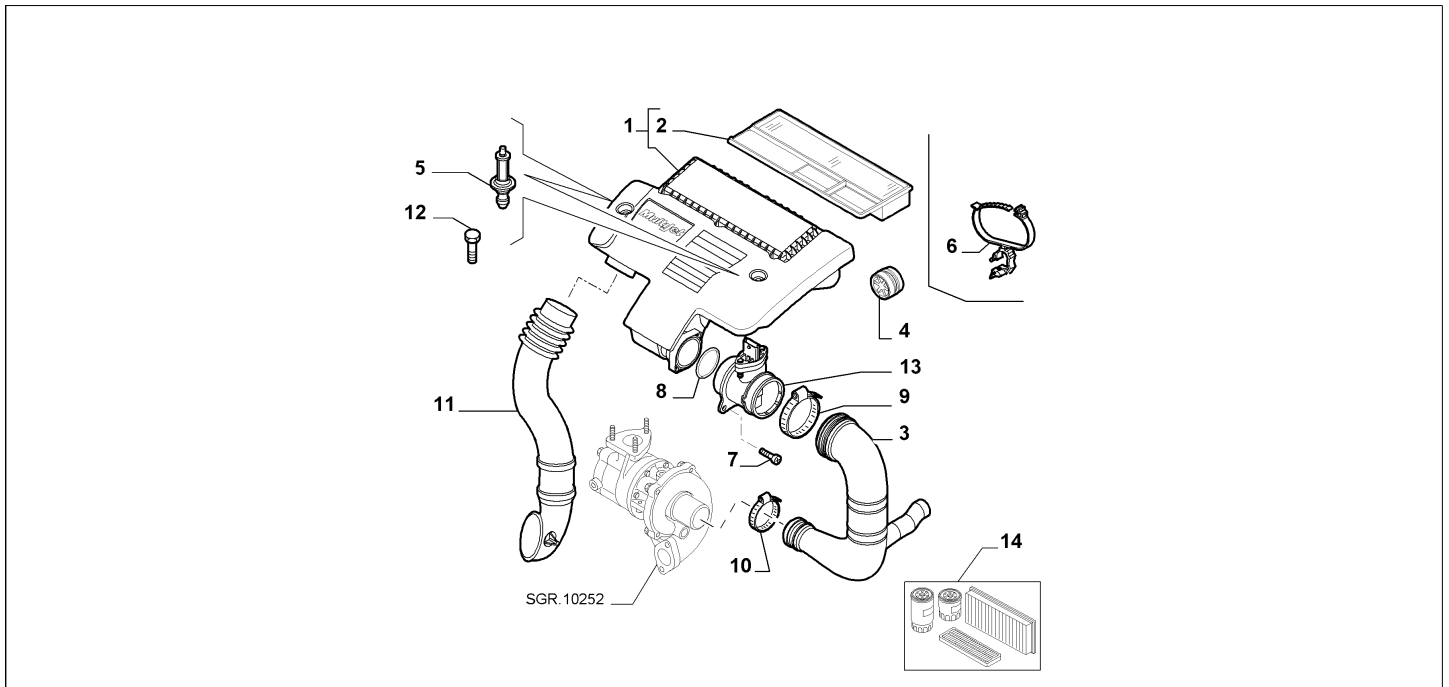
Catalogue	MITO 2008-2011	
Category	3.5 AIR CLEANER AND DUCTS	
Var.	02	1.6D
Rev.	00	



Part Num.	Description	Compatibility	Modif.	Qty	Notes	Col.	Reman.
1	51830173 AIR CLEANER, COMPL			01			
2	51830174 FILTERING ELEMENT			01			
3	51830176 PAD			03			
4	50510627 HOSE			01			
5	50510628 SLEEVE			01			
6	13131270 COLLAR, DIAM 27,5			01			
7	14059211 NUT, M6			01			
8	51803043 BRACKET, DIAM 66			01			
9	50510629 AIR INTAKE			01			
10	16084304 SCREW, M5X16			01			
11	51782035 CAPACITY MEASURER	IS/S		1			71794487
11	51831050 CAPACITY MEASURER	S/S		1			71795057
12	13127670 COLLAR, D 24			02			
12	13126270 COLLAR, D 20,5 - 22,5			01			
12	13126270 COLLAR, D 21,5			02			
13	13129370 COLLAR, D 75,5			02			
14	71714116 COLLAR, D 54,5			01			
15	71765253 FILTER KIT	1.6D		01	KIT		

Legend	
S/S	STOP&START
1.6D	HORSE POWER (MARKET):1598

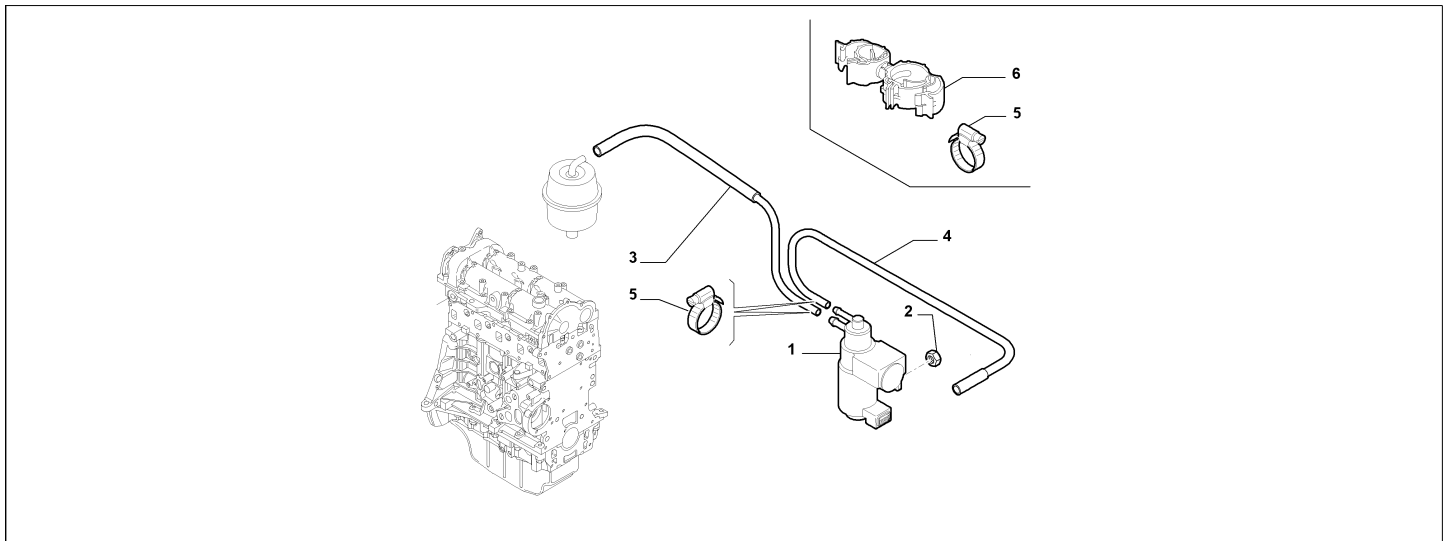
Catalogue	MITO 2008-2011	
Category	3.5 AIR CLEANER AND DUCTS	
Var.	01	EURO4 + (90HP, 95HP)
Rev.	00	



Part Num.	Description	Compatibility	Modif.	Qty	Notes	Col.	Reman.
1	50515314 AIR CLEANER, COMPL	EURO4		1			
2 A	51775324 FILTERING ELEMENT	EURO4		1			
2 A	6001073218 FILTERING ELEMENT, ESSENTIAL PARTS	EURO4		1			
3	51793177 SLEEVE	90HP+EURO4		1			
4	51818285 PAD			01			
5	55189138 PIN			02			
6	51799031 CLIP			01			
7	11625824 SCREW, M6X18			02			
8	14464880 SEAL GASKET, DIAM 63			01			
9	13129370 COLLAR, DIAM 75,5			01			
10	71714115 COLLAR, DIAM 45			01			
11	51774997 AIR INTAKE	90HP+EURO4		1			
12	16084304 SCREW, M5X16			01			
13	55183650 CAPACITY MEASURER	EURO4		1			71789484
14	71765244 FILTER KIT, UFI			01	KIT		
14	71765257 FILTER KIT, PURFLUX			01	KIT		

Legend	
EURO4	ECOLOGY:EEC LIM. STAGE 4
90HP	POWER:1.3 SDE 90HP EURO4
95HP	POWER:95HP

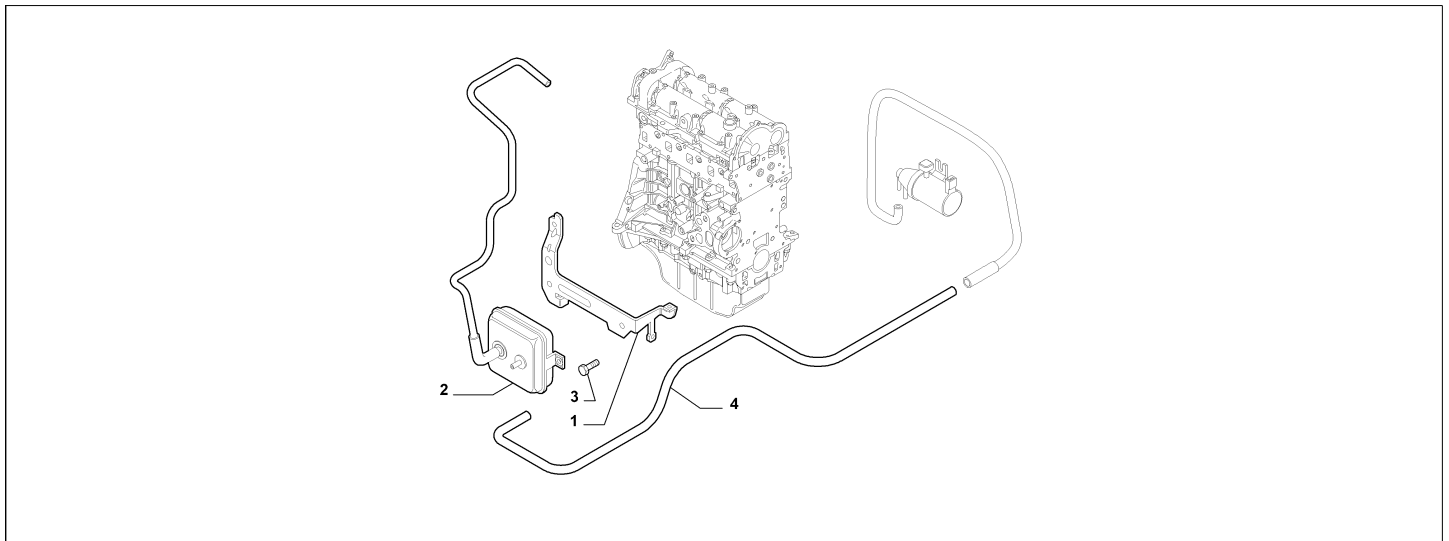
Catalogue	MITO 2008-2011	
Category	3.5 AIR CLEANER AND DUCTS	
Var.	02	EURO4 + (90HP, 95HP)
Rev.	00	



Part Num.	Description	Compatibility	Modif.	Qty	Notes	Col.	Reman.
1	55203202 ELECTRO-VALVE			1			
2	13046114 NUT, M6			03			
3	55703139 HOSE			1			
4	55703138 SLEEVE			1			
5	13432070 COLLAR			1			
6	46822100 CLIP			01			

Legend	
EURO4	ECOLOGY:EEC LIM. STAGE 4
90HP	POWER:1.3 SDE 90HP EURO4
95HP	POWER:95HP

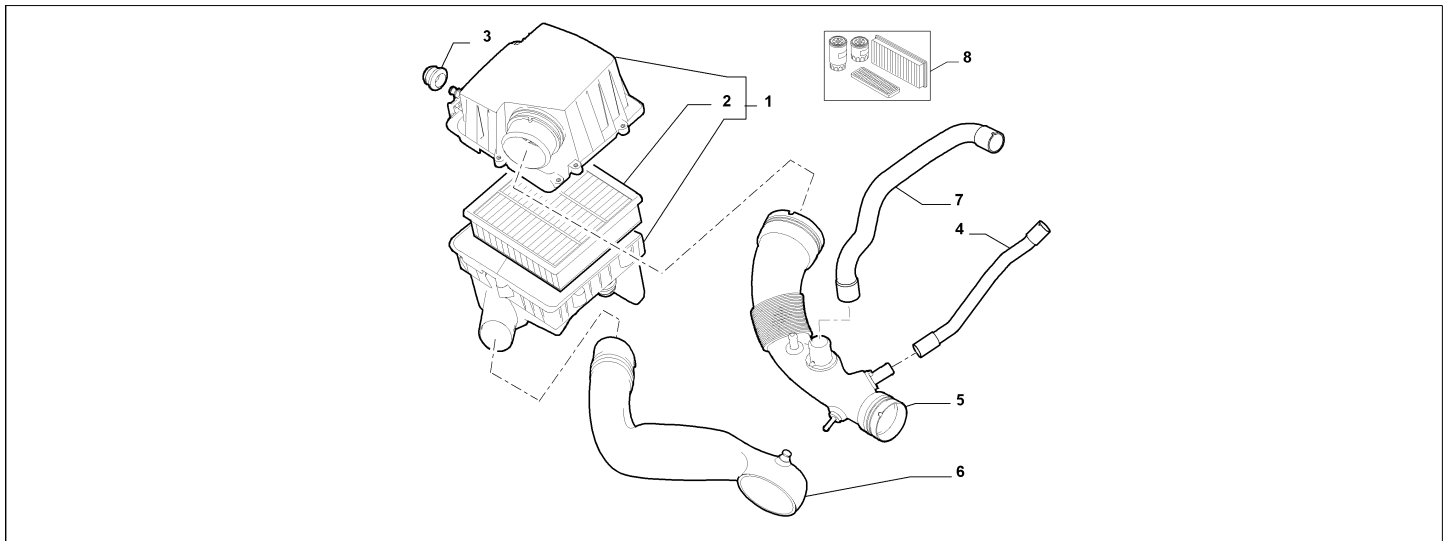
Catalogue	MITO 2008-2011	
Category	3.5 AIR CLEANER AND DUCTS	
Var.	03	EURO4 + (90HP, 95HP)
Rev.	00	



Part Num.	Description	Compatibility	Modif.	Qty	Notes	Col.	Reman.
1	51774353 BRACKET			1			
2	51785235 VACUUM TANK			1			
3	16286024 SCREW, M6X16			02			
3	16287021 SCREW, M8X16			02			
4	51763518 SLEEVE			1			

Legend	
EURO4	ECOLOGY:EEC LIM. STAGE 4
90HP	POWER:1.3 SDE 90HP EURO4
95HP	POWER:95HP

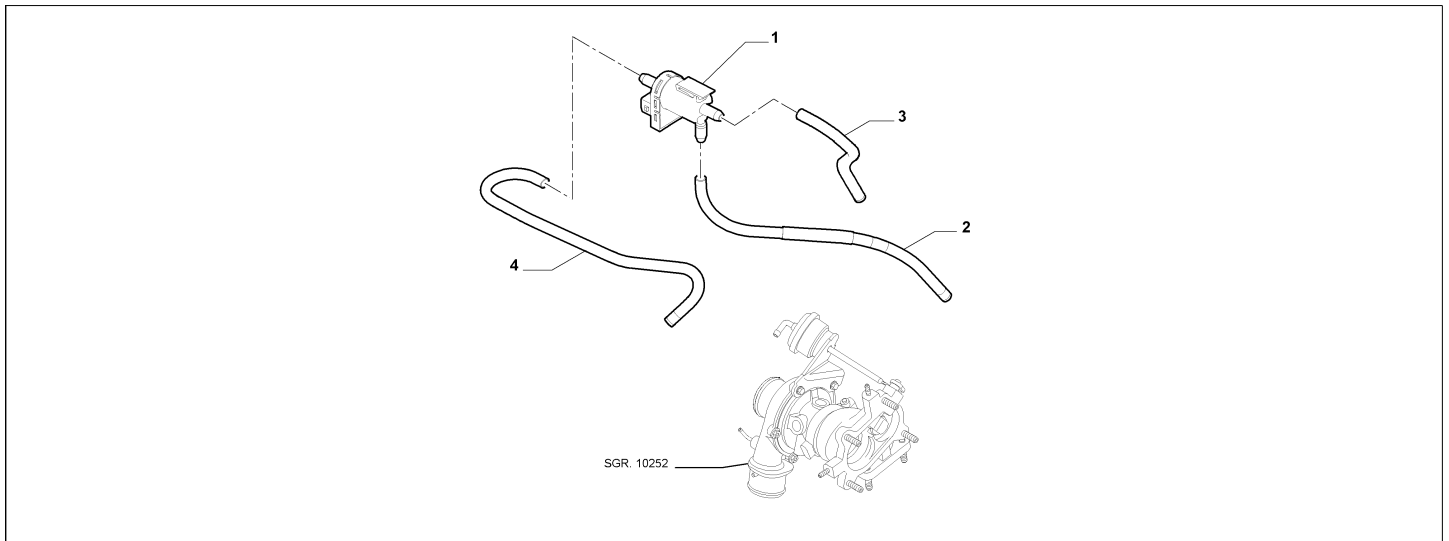
Catalogue	MITO 2008-2011	
Category	3.5 AIR CLEANER AND DUCTS	
Var.	01	1.4 + 120HP
Rev.	00	



Part Num.	Description	Compatibility	Modif.	Qty	Notes	Col.	Reman.
1	51796536 AIR CLEANER, COMPL			1			
2	A 55184249 FILTERING ELEMENT			1			
2	A 6001073232 FILTERING ELEMENT, ESSENTIAL PARTS			1			
3	51751410 PAD			1			
4	55218556 HOSE			1			
5	51822558 SLEEVE			1			
6	50510629 AIR INTAKE			1			
7	51800472 SLEEVE			1			
8	71765322 FILTER KIT			01	KIT		

Legend	
1.4	HORSE POWER (MARKET):1370
120HP	POWER:120HP

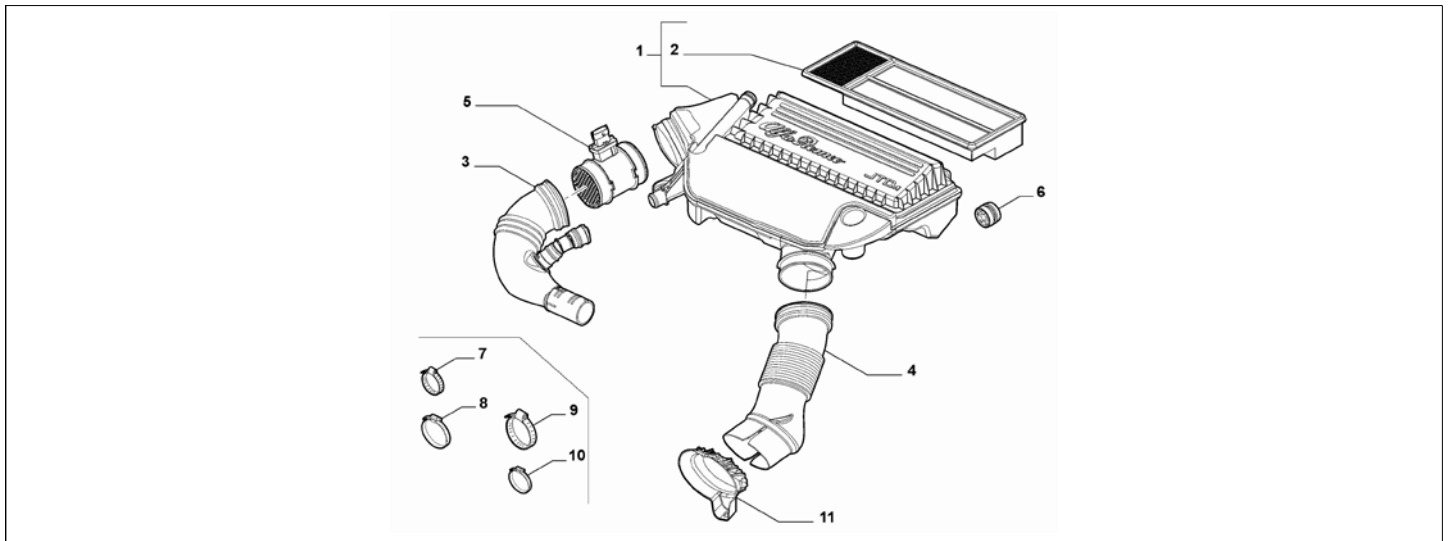
Catalogue	MITO 2008-2011	
Category	3.5 AIR CLEANER AND DUCTS	
Var.	02	1.4 + 120HP
Rev.	00	



Part Num.	Description	Compatibility	Modif.	Qty	Notes	Col.	Reman.
1	46813571 ELECTRO-VALVE			1			
2	51810327 HOSE			1			
3	51810328 HOSE			1			
4	51810329 HOSE			1			

Legend	
1.4	HORSE POWER (MARKET):1370
120HP	POWER:120HP

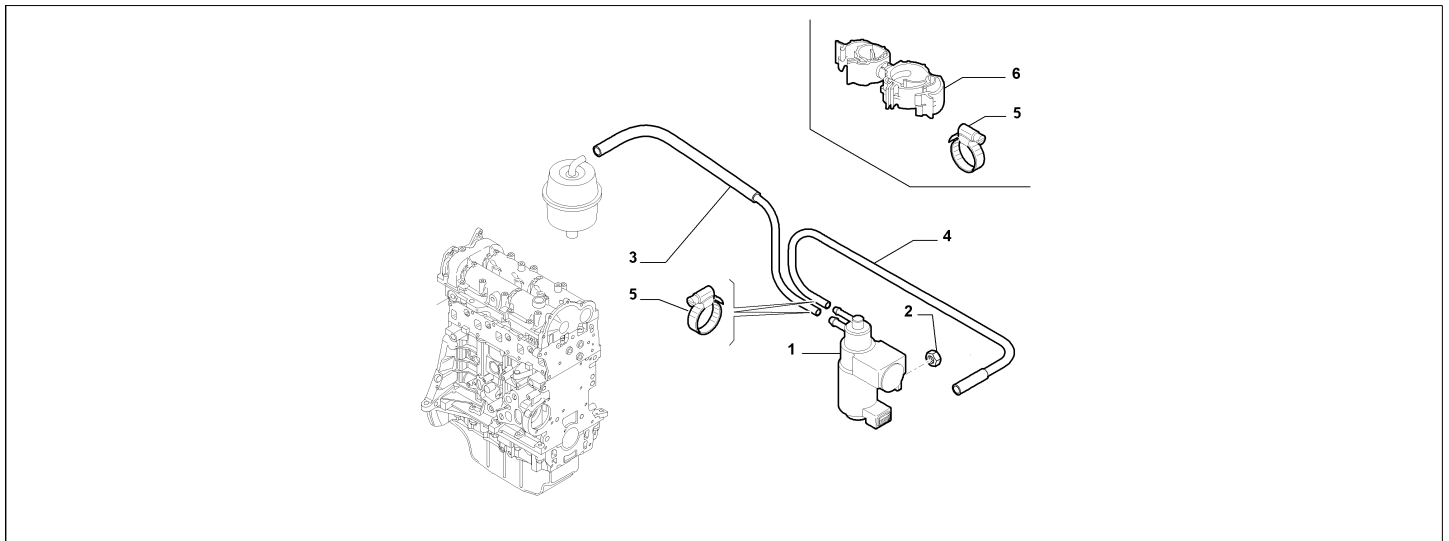
Catalogue	MITO 2008-2011	
Category	3.5 AIR CLEANER AND DUCTS	
Var.	01	EURO5 + (90HP, 95HP, 85HP)
Rev.	00	



Part Num.	Description	Compatibility	Modif.	Qty	Notes	Col.	Reman.
1	51876860 AIR CLEANER			1			
2 A	51920958 FILTERING ELEMENT			1			
2 A	6001073120 FILTERING ELEMENT, ESSENTIAL PARTS			1			
3	51897510 SLEEVE			1			
4	51877463 AIR INTAKE			1			
5	51831050 CAPACITY MEASURER			1			71795057
6	51818285 PAD	1.3D		1			
7	13131270 COLLAR, D 27,5			1			
8	10323970 COLLAR, D 73			1			
9	13129370 COLLAR, D 75,5			1			
10	11417670 COLLAR			1			
11	51877493 BRACKET			1			

Legend	
1.3D	HORSE POWER (MARKET):1.3
EURO5	ECOLOGY:LIM.ECC PHASE 5
85HP	POWER:1.3 SDE 85HP EURO5
90HP	POWER:1.3 SDE 90HP EURO4
95HP	POWER:95HP

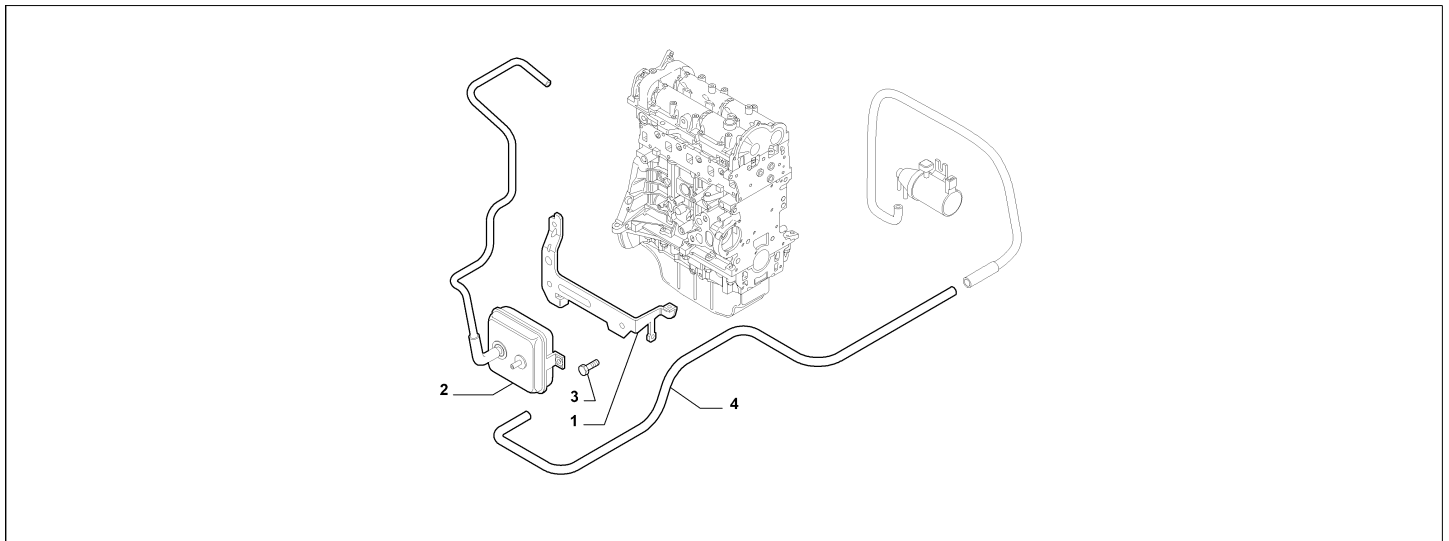
Catalogue	MITO 2008-2011	
Category	3.5 AIR CLEANER AND DUCTS	
Var.	02	EURO5 + (90HP, 95HP)
Rev.	00	



Part Num.	Description	Compatibility	Modif.	Qty	Notes	Col.	Reman.
1	55256638 ELECTRO-VALVE			1			
2	13046114 NUT, M6			03			
3	51816518 HOSE			1			
4	51879296 SLEEVE			1			
5	13432070 COLLAR			1			
6	46822100 CLIP			01			

Legend	
EURO5	ECOLOGY:LIM.ECC PHASE 5
90HP	POWER:1.3 SDE 90HP EURO4
95HP	POWER:95HP

Catalogue	MITO 2008-2011	
Category	3.5 AIR CLEANER AND DUCTS	
Var.	03	EURO5 + (90HP, 95HP)
Rev.	00	



Part Num.	Description	Compatibility	Modif.	Qty	Notes	Col.	Reman.
1	51868878 BRACKET			1			
2	51877651 VACUUM TANK			1			
3	16286024 SCREW, M6X16			02			
3	16287021 SCREW, M8X16			02			
4	55269332 SLEEVE			1			

Legend	
EURO5	ECOLOGY:LIM.ECC PHASE 5
90HP	POWER:1.3 SDE 90HP EURO4
95HP	POWER:95HP