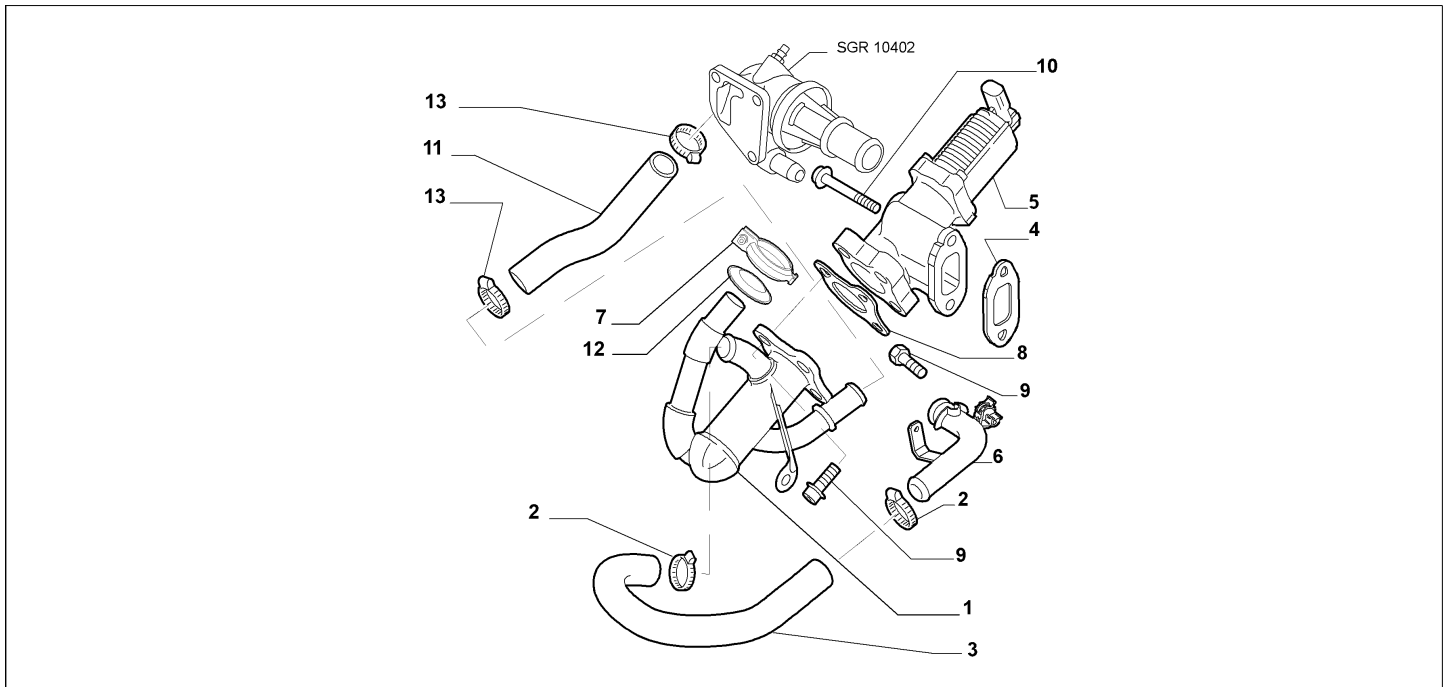


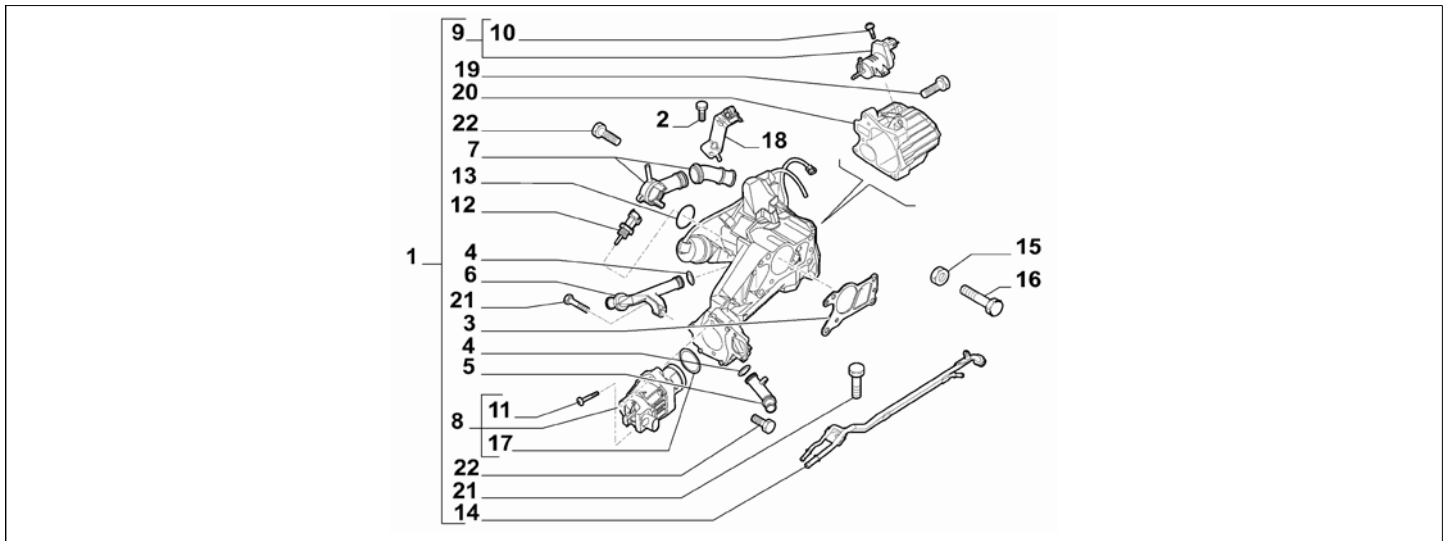
Catalogue	MITO 2008-2011	
Category	3.13 EXHAUST GAS CONTROL DEVICE	
Var.	01	1.3D + DIESEL + 90HP + EURO4
Rev.	00	



Part Num.	Description	Compatibility	Modif.	Qty	Notes	Col.	Reman.
1	55197846 HEAT EXCHANGER			01			
2	13127770 COLLAR, DIAM 25			02			
3	55184653 SLEEVE			01			
4	73502579 SEAL GASKET			01			
5	55204941 ELECTRO-VALVE			01			71789468
6	55199161 PIPE			01			
7	55185072 COLLAR			01			
8	73502578 SEAL GASKET			01			
9	73502574 SCREW AND WASHER ASSY, M8X26			04			
10	55192236 SCREW AND WASHER ASSY, M8X90			02			
11	55185382 SLEEVE			01			
12	55187093 SEAL GASKET			01			
13	71714114 COLLAR, DIAM 30			02			

Legend	
1.3D	HORSE POWER (MARKET):1.3
DIESEL	FUEL:DIESEL
EURO4	ECOLOGY:EEC LIM. STAGE 4
90HP	POWER:1.3 SDE 90HP EURO4

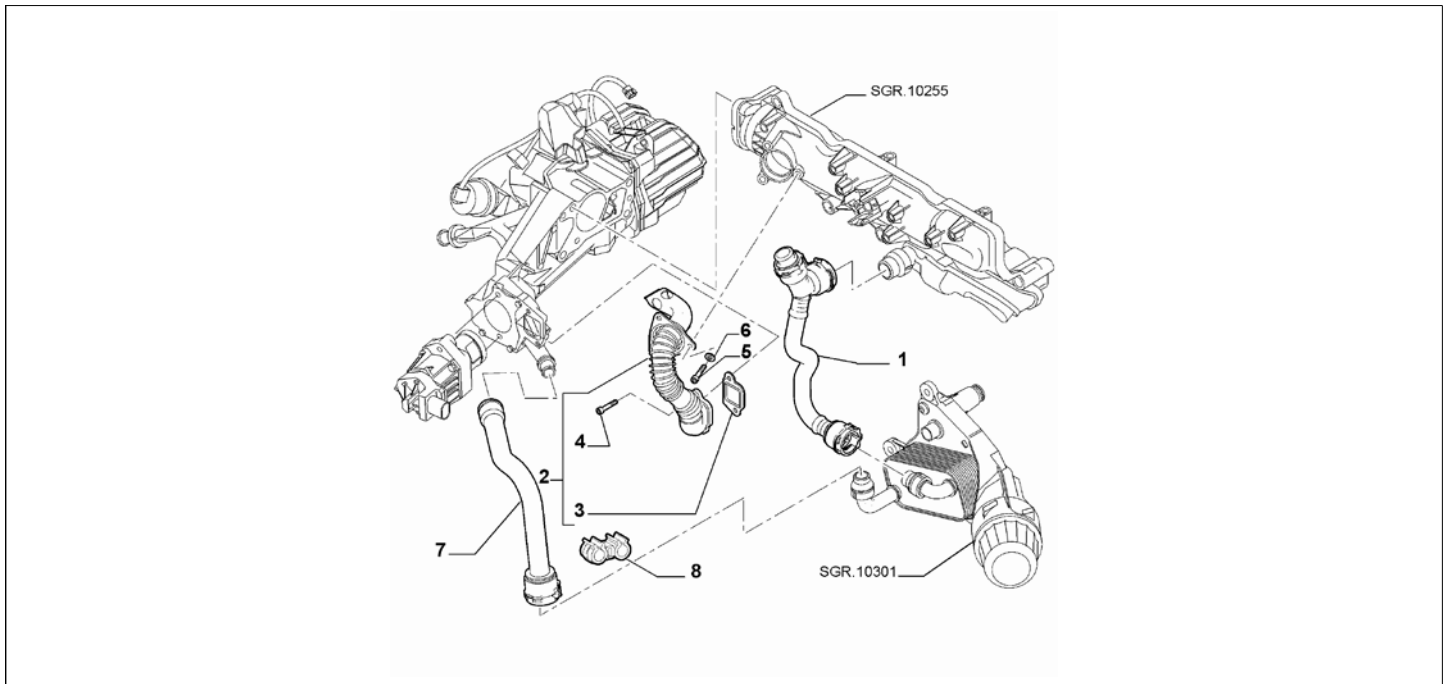
Catalogue	MITO 2008-2011	
Category	3.13 EXHAUST GAS CONTROL DEVICE	
Var.	01	1.6D
Rev.	00	



Part Num.	Description	Compatibility	Modif.	Qty	Notes	Col.	Reman.
1	55222433	SUPPORT		01			
2	16286024	SCREW		01			
3	71753783	SEAL GASKET		01			
4	71753784	SEAL GASKET		01			
5	55241968	HOSE		01			
6	55248386	HOSE		01			
7	55241963	THERMOSTAT		01			
8	71752862	ELECTRO-VALVE	C13984	01			71793641
8	71754796	ELECTRO-VALVE	D13984, C13985	01			71794613
8	71754815	ELECTRO-VALVE	D13985	01			71794616
9	55204916	ELECTRO-VALVE		01			71796398
10	14304627	SCREW		02			
11	55208941	SCREW		02			
12	55203964	SENDING UNIT		01			
13	71754091	SEAL GASKET		01			
14	55229741	HOSE		01			
15	14059321	NUT		02			
16	16297821	SCREW		02			
17	55214291	SEAL GASKET		01			
18	51837766	BRACKET	C14401	01			
18	51892046	BRACKET	D14401	01			
19	55215325	SCREW		05			
20	71772987	COVER		01	WITHOUT COOLER		
21	55241967	SCREW		05			
22	55218239	SCREW		04			

Legend	
1.6D	HORSE POWER (MARKET):1598
13984	NEW SUPPORT ASSEMBLY FOR HEAT EXCHANGER WITH EGR VALVE [MOT 6414169]
13985	NEW SUPPORT FOR HEAT EXCHANGER WITH EGR VALVE [MOT 6414169]
14401	ADOPTION OF A NEW BRACKET ASSY FOR C635 GEARBOX [DAT 10/09/2010]

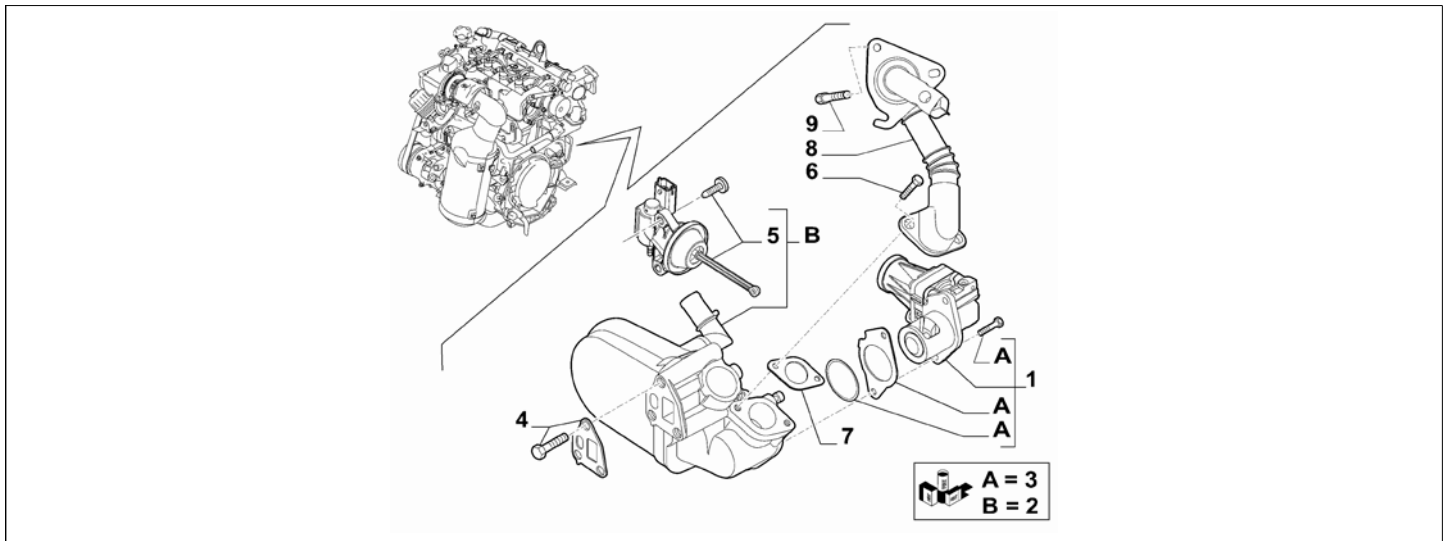
Catalogue	MITO 2008-2011	
Category	3.13 EXHAUST GAS CONTROL DEVICE	
Var.	02	1.6D
Rev.	00	



Part Num.	Description	Compatibility	Modif.	Qty	Notes	Col.	Reman.
1	55209653	PIPE	IS/S	01			
1	55221367	PIPE	S/S	01			
2	55222896	PIPE		01			
3	55209340	SEAL GASKET		01			
4	11568424	SCREW		02			
5	14305724	SCREW		03			
6	11194374	LOCK WASHER		03			
7	55209654	PIPE	IS/S	01			
7	55221366	PIPE	S/S	01			
8	55230848	CLIP		01			

Legend	
S/S	STOP&START
1.6D	HORSE POWER (MARKET):1598

Catalogue	MITO 2008-2011	
Category	3.13 EXHAUST GAS CONTROL DEVICE	
Var.	01	1.3D + DIESEL + (95HP, 85HP) + EURO5
Rev.	00	



Part Num.	Description	Compatibility	Modif.	Qty	Notes	Col.	Reman.
1	71795160 ELECTRO-VALVE			01			71795161
2	71769760 ELECTRO-VALVE			01			
3	71777692 SEAL KIT			01			
4	71753850 SEAL KIT			01			
5	71753848 ACTUATOR			01			
6	14306324 SCREW, M8X20			02			
7	55221727 SEAL GASKET			01			
8	55212567 SLEEVE			01			
9	55218014 SCREW, M6X14			03			

Legend	
1.3D	HORSE POWER (MARKET):1.3
DIESEL	FUEL:DIESEL
EURO5	ECOLOGY:LIM.ECC PHASE 5
85HP	POWER:1.3 SDE 85HP EURO5
95HP	POWER:95HP