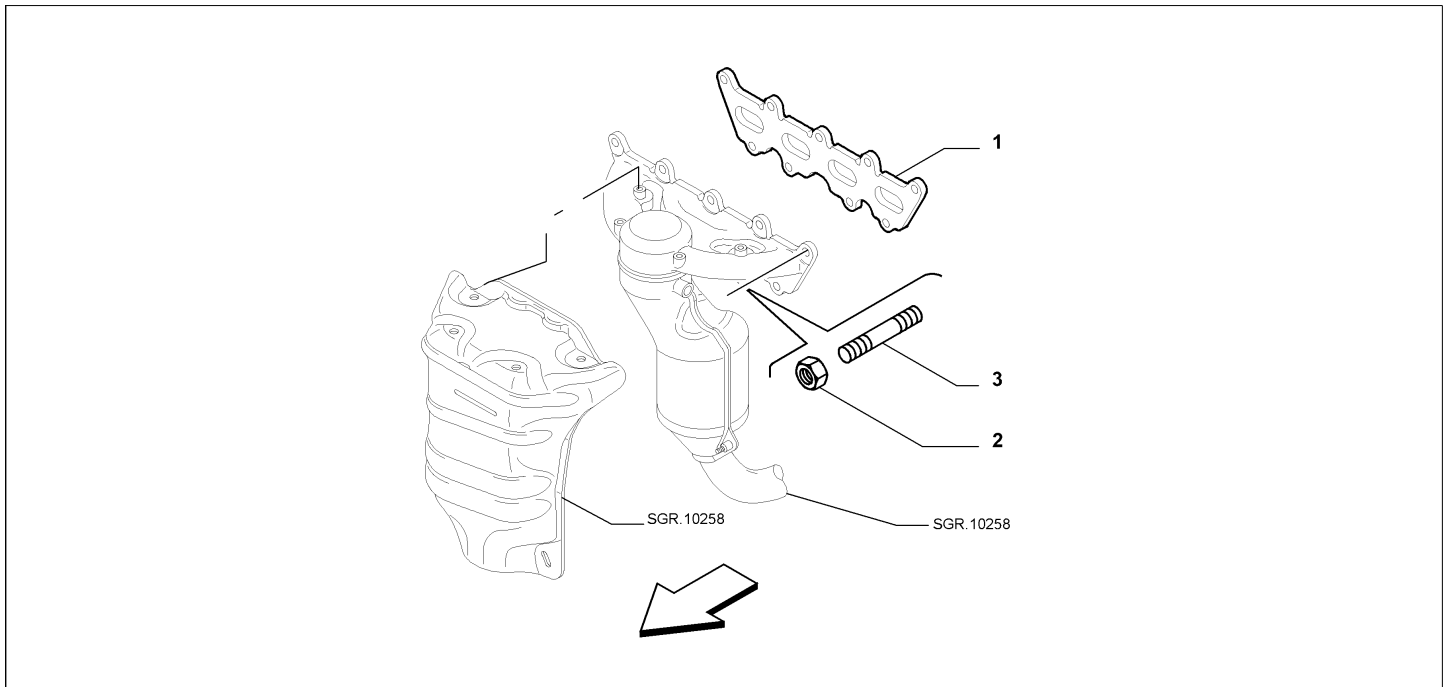


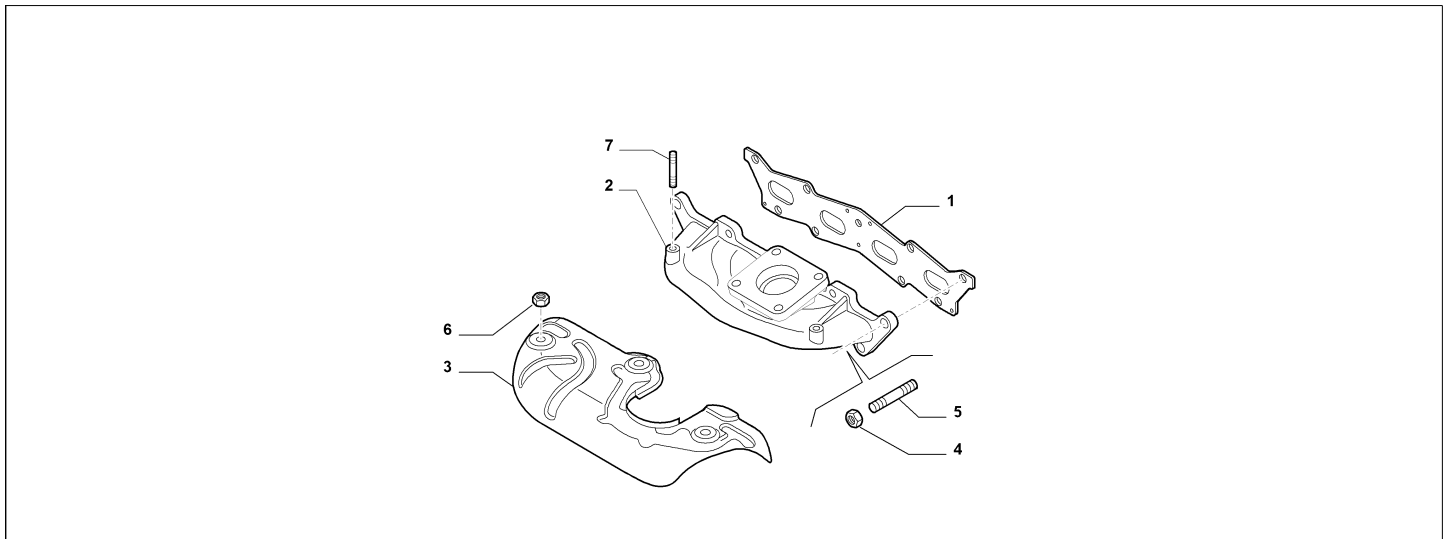
Catalogue	MITO 2008-2011	
Category	3.11 EXHAUST MANIFOLD	
Var.	01	78HP, 105HP
Rev.	00	



Part Num.	Description	Compatibility	Modif.	Qty	Notes	Col.	Reman.
1	46526271 SEAL GASKET			01			
2	55192175 NUT			09			
3	13517034 STUD, M8X30			09			

Legend	
78HP	POWER:1.4 FIRE 16V 78HP EURO5
105HP	POWER:1.4 FIRE 16V MULTIAIR 105HP (EURO 5)

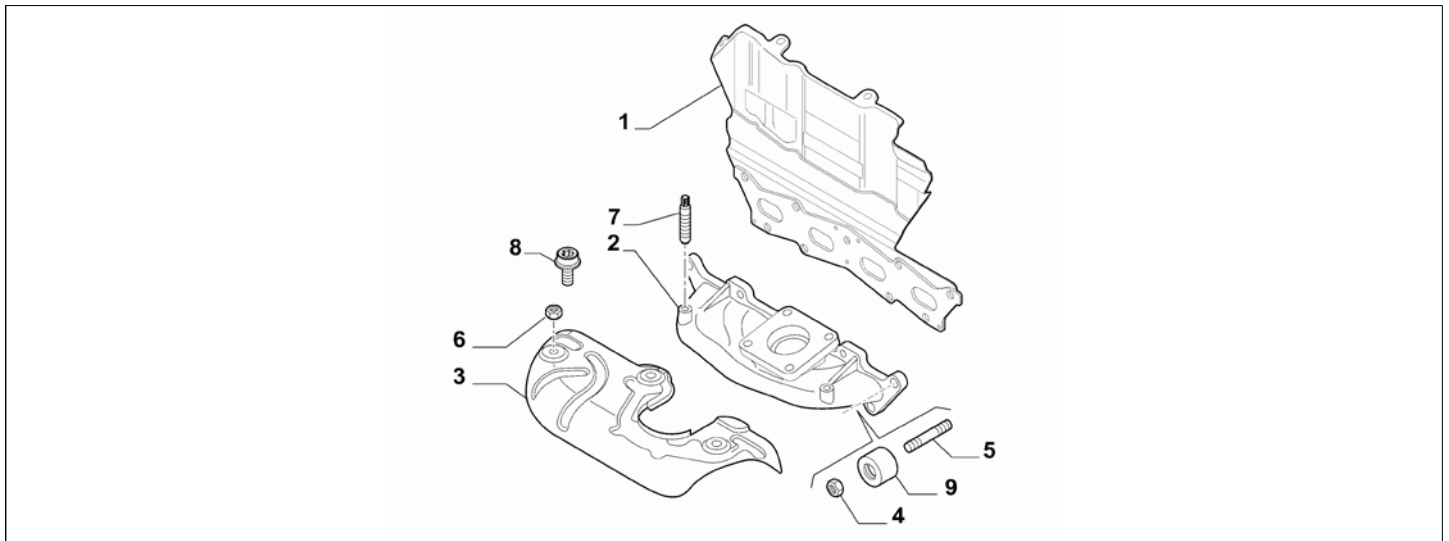
Catalogue	MITO 2008-2011	
Category	3.11 EXHAUST MANIFOLD	
Var.	01	155HP, 1.4 + 120HP
Rev.	00	



Part Num.	Description	Compatibility	Modif.	Qty	Notes	Col.	Reman.
1	55210321 SEAL GASKET			01			
2	55217497 EXHAUST MANIFOLD	155HP		01			
2	55213777 EXHAUST MANIFOLD	120HP		1			
3	55218947 PROTECTION	155HP		01			
3	55214654 PROTECTION	120HP	C13341	01			
3	55218947 PROTECTION	120HP	D13341	01			
4	55206854 NUT			09			
5	55210286 STUD, M6X9X12			09			
6	55192176 NUT, M6			03			
7	11500321 STUD, M6X9X12			03			

Legend	
1.4	HORSE POWER (MARKET):1370
155HP	POWER:1.4 FIRE 16V TURBO 155HP (EURO 5)
120HP	POWER:120HP
13341	EXAUST CONDUCT HEAT PROTECTION UNIFICATION [DAT 15/04/2009]

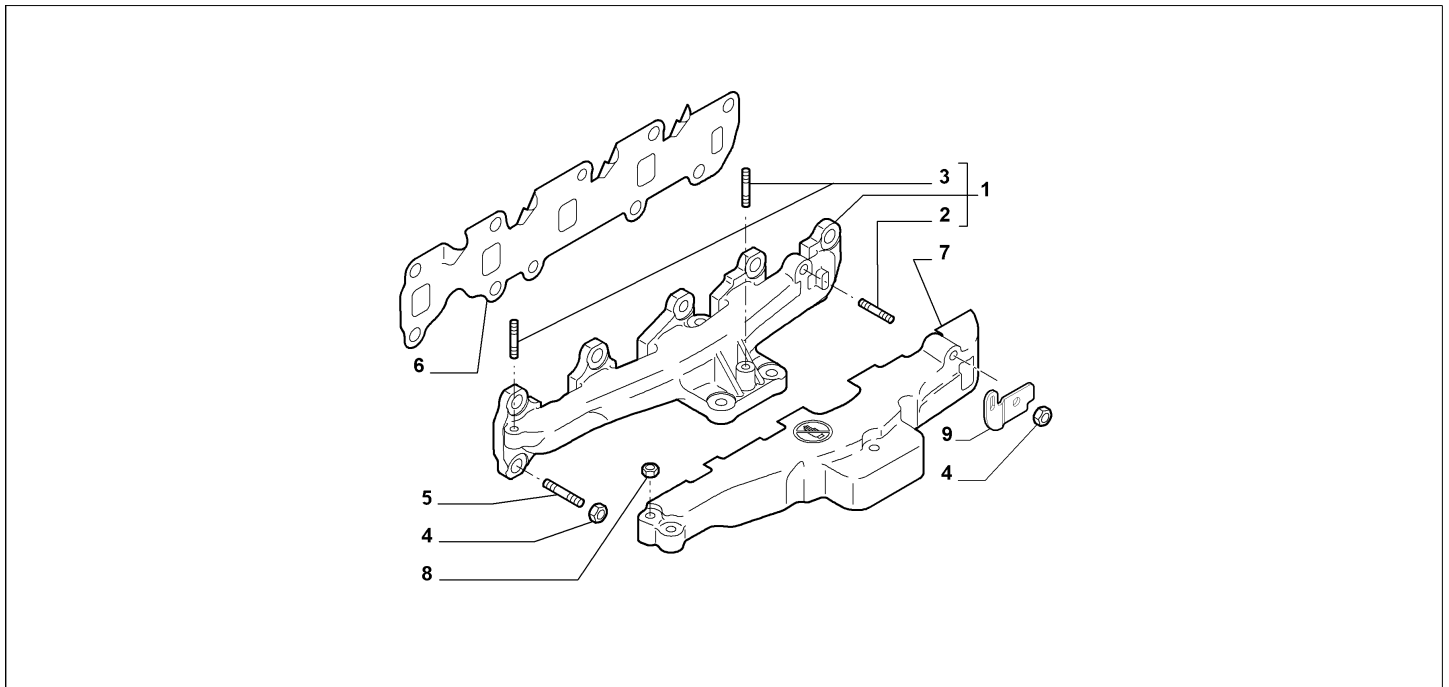
Catalogue	MITO 2008-2011	
Category	3.11 EXHAUST MANIFOLD	
Var.	01	135HP, 170HP
Rev.	00	



Part Num.	Description	Compatibility	Modif.	Qty	Notes	Col.	Reman.
1	55225376 SEAL GASKET			01			
2	55282011 EXHAUST MANIFOLD			01			
3	55222008 PROTECTION		C14225	01			
3	55248339 PROTECTION		D14225	1			
4	55206854 NUT			09			
5	55210286 STUD, M6X9X12		C14225	09			
5	55248777 STUD		D14225	9			
6	55192176 NUT, M6			03			
7	55223857 STUD, M6X9X12			03			
8	55206778 SCREW			01			
9	55243007 SPACER		D14225	9			

Legend	
170HP	POWER:1.4 FIRE 16V TURBO MULTIAIR 170HP EURO 5
135HP	POWER:1.4 FIRE 16V TURBO MULTIAIR 135 HP EURO 5
14225	ADDITION OF SPACERS ON THE EXHAUST PIPE FASTENERS AND ADOPTION OF LONGER STUDS [DAT 30/05/2010]

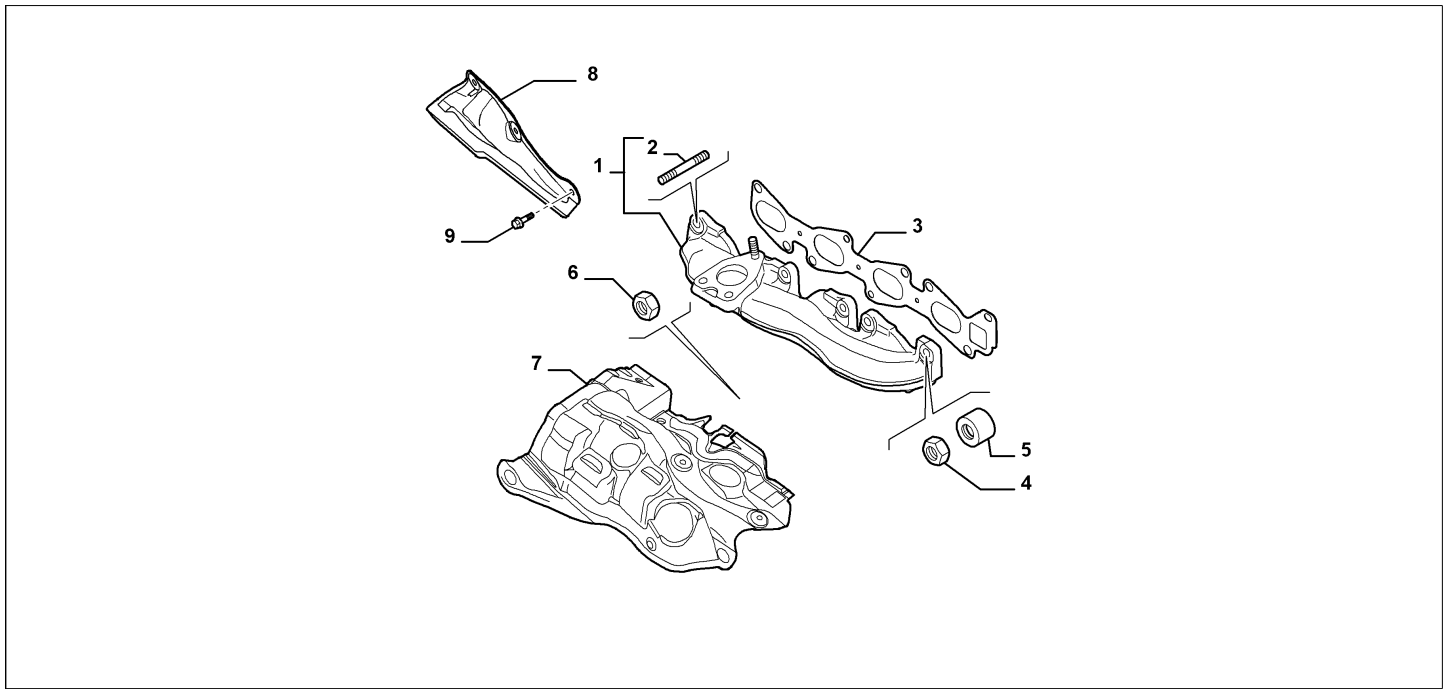
Catalogue	MITO 2008-2011	
Category	3.11 EXHAUST MANIFOLD	
Var.	01	1.3D + DIESEL + 90HP + EURO4
Rev.	00	



Part Num.	Description	Compatibility	Modif.	Qty	Notes	Col.	Reman.
1	73502595 EXHAUST MANIFOLD, COMPL			01			
2	55192183 STUD, M8X16-20			01			
3	55192182 STUD, M6X9-12			02			
4	55192175 NUT, DIAM M8			11			
5	73500109 STUD, M8X12-20			10			
6	73500058 SEAL GASKET			01			
7	55194008 PROTECTION			01			
8	55192176 NUT, DIAM M6			02			
9	46823515 BRACKET			01			

Legend	
1.3D	HORSE POWER (MARKET):1.3
DIESEL	FUEL:DIESEL
EURO4	ECOLOGY:EEC LIM. STAGE 4
90HP	POWER:1.3 SDE 90HP EURO4

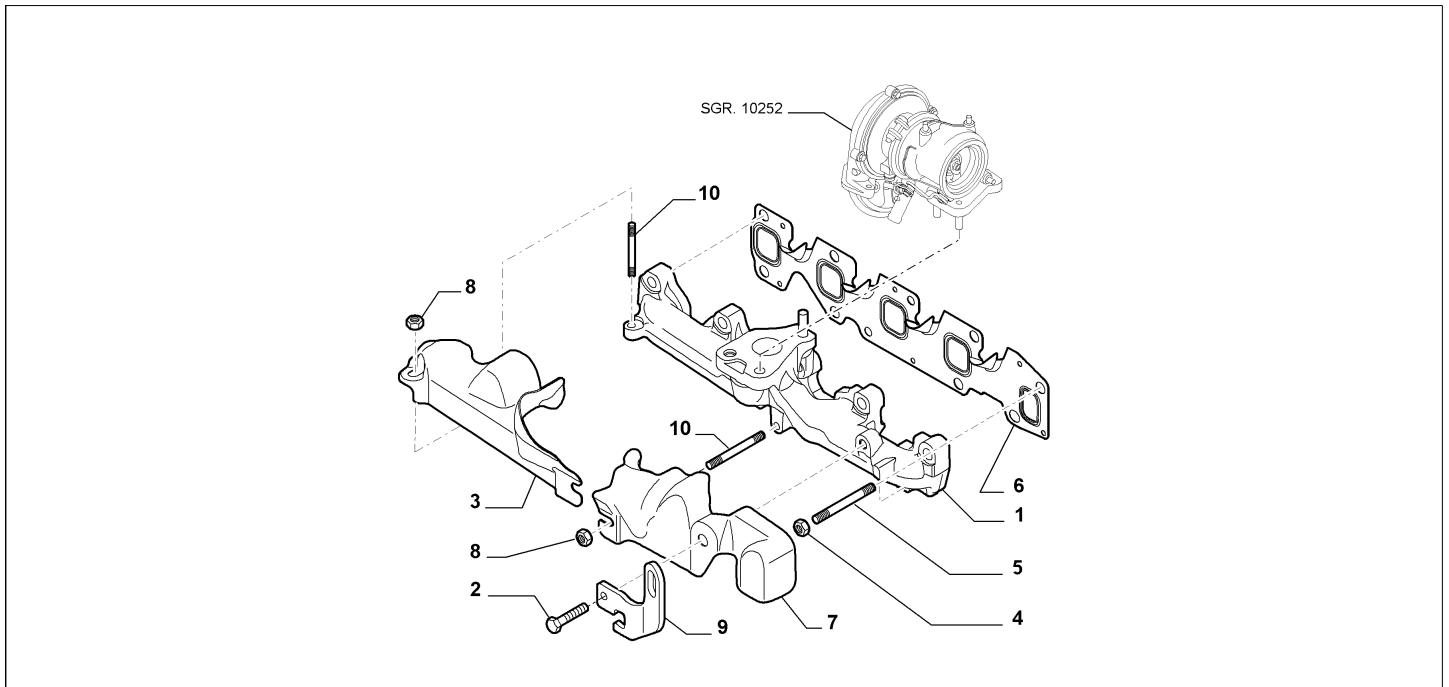
Catalogue	MITO 2008-2011	
Category	3.11 EXHAUST MANIFOLD	
Var.	01	1.6D
Rev.	00	



Part Num.	Description	Compatibility	Modif.	Qty	Notes	Col.	Reman.
1	55217376 EXHAUST MANIFOLD, COMPL		C13725	01			
1	55229728 EXHAUST MANIFOLD, COMPL		D13725	01			
2	55210641 STUD, M6X9-18			01			
3	55210879 SEAL GASKET			01			
4	55206854 NUT			09			
5	55243007 SPACER			09			
6	18750524 SCREW			02			
6	18750024 SCREW			02			
7	55259515 PROTECTION			01			
8	51822493 PROTECTION			01			
9	16296921 SCREW			03			
9	18750524 SCREW			02			
9	18750024 SCREW			02			

Legend	
1.6D	HORSE POWER (MARKET):1598
13725	NEW EXHAUST PIPING [MOT 6295664 (M87) ]

Catalogue	MITO 2008-2011	
Category	3.11 EXHAUST MANIFOLD	
Var.	01	1.3D + DIESEL + (95HP, 85HP) + EURO5
Rev.	00	



Part Num.	Description	Compatibility	Modif.	Qty	Notes	Col.	Reman.
1	55223907 EXHAUST MANIFOLD			01			
2	55192203 SCREW, M8X30			01			
3	55223745 PROTECTION, LH			01			
4	55206854 NUT, DIAM M8			10			
5	55211050 STUD, M8X12-30			10			
6	73500058 SEAL GASKET			01			
7	55223723 PROTECTION, RH			01			
8	55192176 NUT, DIAM M6			02			
9	55212071 BRACKET			01			
10	55222355 STUD, M6			02			

Legend	
1.3D	HORSE POWER (MARKET):1.3
DIESEL	FUEL:DIESEL
EURO5	ECOLOGY:LIM.ECC PHASE 5
85HP	POWER:1.3 SDE 85HP EURO5
95HP	POWER:95HP