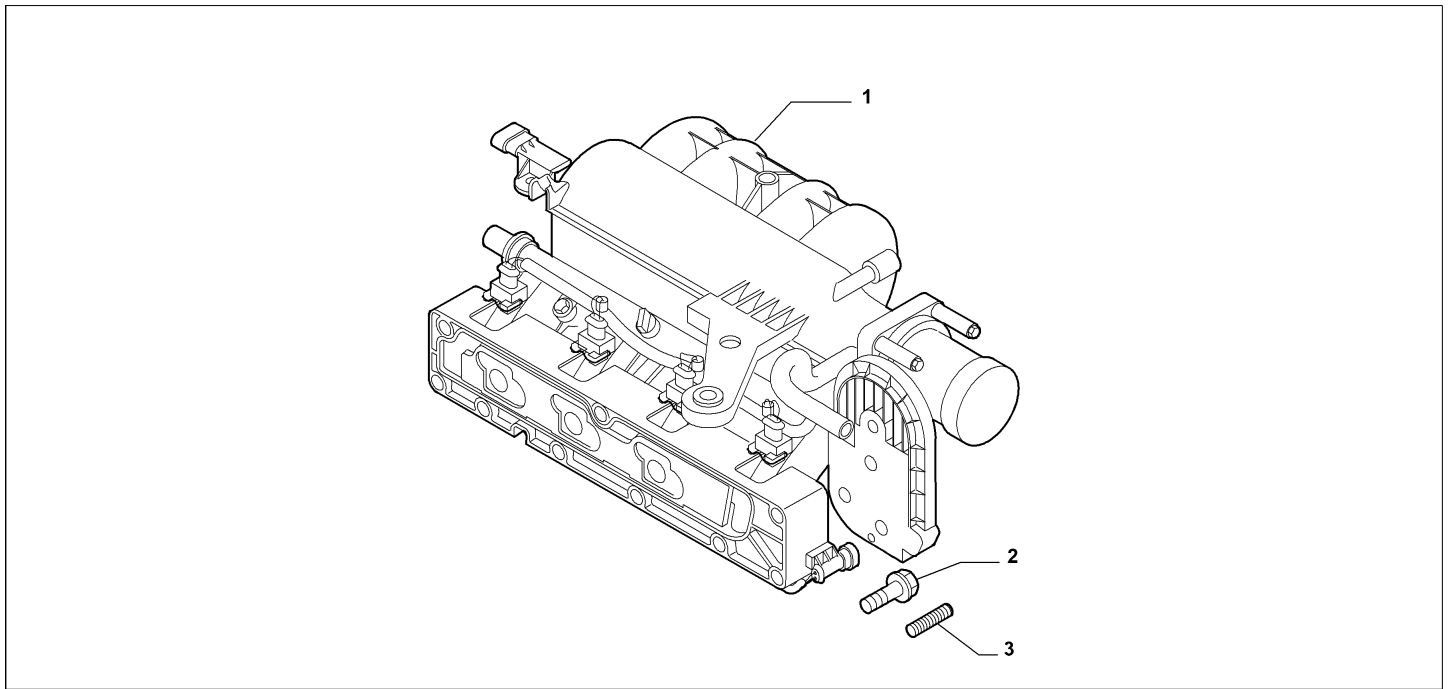


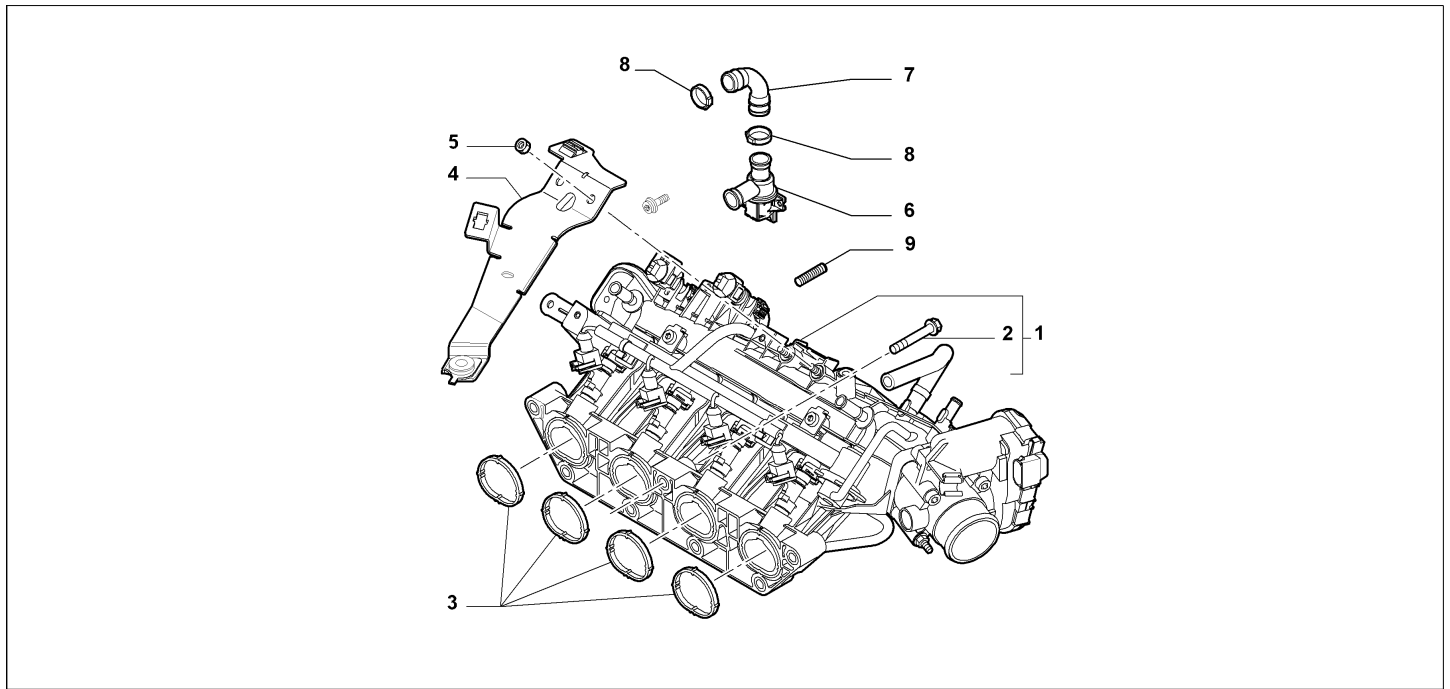
Catalogue	MITO 2008-2011	
Category	3.10 INTAKE MANIFOLD	
Var.	01	78HP, 105HP
Rev.	00	



Part Num.	Description	Compatibility	Modif.	Qty	Notes	Col.	Reman.
1	55219510 AIR DUCT SYSTEM, COMPL	78HP		01			
1	55214247 AIR DUCT SYSTEM, COMPL	105HP		01			
2	73500895 SCREW, M7X47	78HP		08			
2	46747837 SCREW, M7X42	105HP		07			
2	46747594 SCREW, M6X30	78HP		02			
2	46747594 SCREW, M6X30	105HP		01			
3	7795996 STUD, M7X21			02			

Legend	
78HP	POWER:1.4 FIRE 16V 78HP EURO5
105HP	POWER:1.4 FIRE 16V MULTIAIR 105HP (EURO 5)

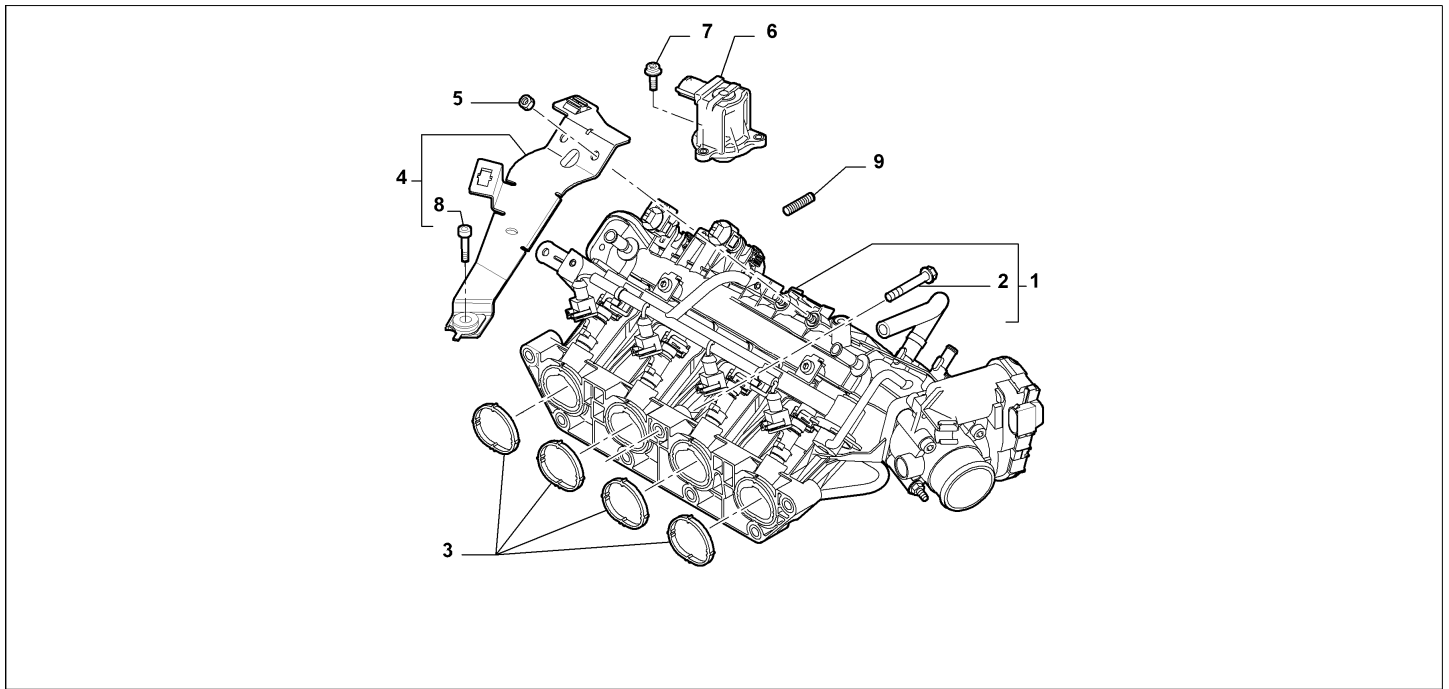
Catalogue	MITO 2008-2011	
Category	3.10 INTAKE MANIFOLD	
Var.	01	1.4 + (120HP, 155HP)
Rev.	00	



Part Num.	Description	Compatibility	Modif.	Qty	Notes	Col.	Reman.
1	55208558 AIR DUCT SYSTEM, COMPL	120HP, 155HP	C12819	01	ONLY PARTS ARE SUPPLIED		
1	55220652 AIR DUCT SYSTEM, COMPL	120HP, 155HP	D12819	01	ONLY PARTS ARE SUPPLIED		
1	71754574 AIR DUCT SYSTEM	LPG		1			
2	46747837 SCREW, M7X42			08			
2	55209800 SCREW			01			
3	77364551 REPAIR KIT			01			
4	55222834 BRACKET			01			
5	55192176 NUT			02			
6	55257853 ELECTRO-VALVE			01			
7	55211279 SLEEVE			01			
8	51810011 COLLAR			02			
9	7795996 STUD, M7X21			02			

Legend	
LPG	LPG POWER SUPPLY (ITALY STANDARD)
1.4	HORSE POWER (MARKET):1370
155HP	POWER:1.4 FIRE 16V TURBO 155HP (EURO 5)
120HP	POWER:120HP
12819	NEW INTAKE DUCT

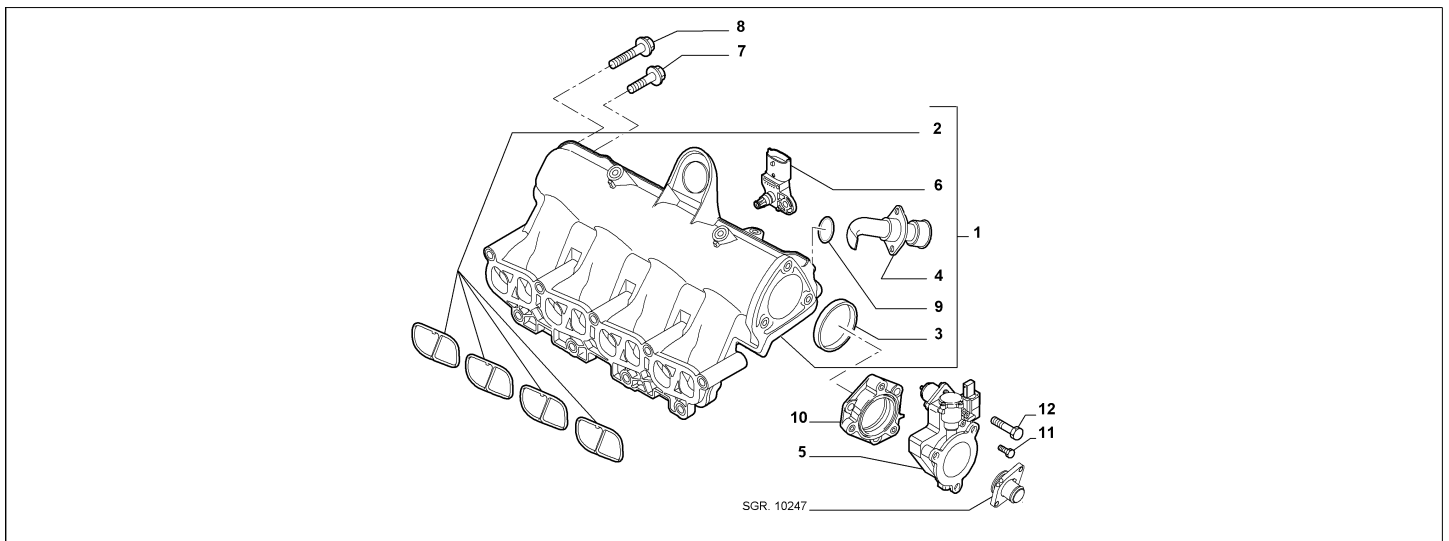
Catalogue	MITO 2008-2011	
Category	3.10 INTAKE MANIFOLD	
Var.	01	135HP, 170HP
Rev.	00	



Part Num.	Description	Compatibility	Modif.	Qty	Notes	Col.	Reman.
1	55225918 AIR DUCT SYSTEM, COMPL			01			
2	46747837 SCREW, M7X42			08			
2	55209800 SCREW			01			
3	71749160 SEAL GASKET			01			
4	55212258 BRACKET			01			
5	55192176 NUT			02			
6	55221800 ELECTRO-VALVE			01			
7	55225269 SCREW			03			
8	16286324 SCREW			01			
9	7795996 STUD, M7X21			02			

Legend	
170HP	POWER:1.4 FIRE 16V TURBO MULTIAIR 170HP EURO 5
135HP	POWER:1.4 FIRE 16V TURBO MULTIAIR 135 HP EURO 5

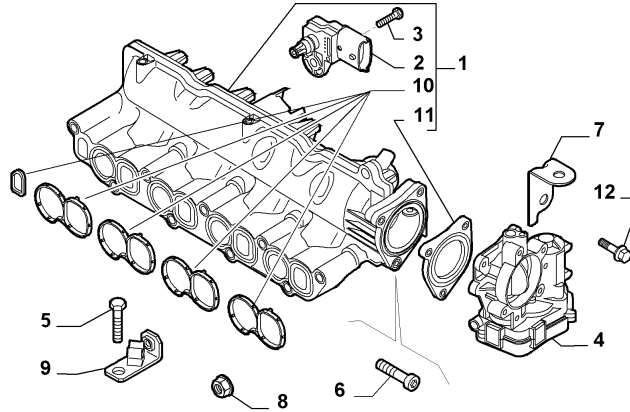
Catalogue	MITO 2008-2011	
Category	3.10 INTAKE MANIFOLD	
Var.	01	1.3D + DIESEL + 90HP + EURO4
Rev.	00	



Part Num.	Description	Compatibility	Modif.	Qty	Notes	Col.	Reman.
1	55217648	INTAKE MANIFOLD, COMPL	C14381	01			
1	55231284	INTAKE MANIFOLD, COMPL	D14381	01			
2	71749369	SEAL GASKET		04			
3	71748758	SEAL GASKET		01			
4	55198273	PIPE		01			
5	51785231	RIGHT THROTTLE BODY		01			
6	55206797	SENDING UNIT	C14381	01			
6	55219298	SENDING UNIT	D14381	01			
7	73502574	SCREW AND WASHER ASSY, M8X30		04			
8	55186966	SCREW, M8X70		05			
9	71748759	SEAL GASKET		01			
10	51785233	ADAPTER		01			
11	51785232	SCREW, M6X25		03			
12	51785234	SCREW, M6X46		03			

Legend	
1.3D	HORSE POWER (MARKET):1.3
DIESEL	FUEL:DIESEL
EURO4	ECOLOGY:EEC LIM. STAGE 4
90HP	POWER:1.3 SDE 90HP EURO4
14381	introduction of a new intake manifold due to the adoption of a new pressure sender [DAT 25/11/2010]

Catalogue	MITO 2008-2011	
Category	3.10 INTAKE MANIFOLD	
Var.	01	1.6D
Rev.	00	

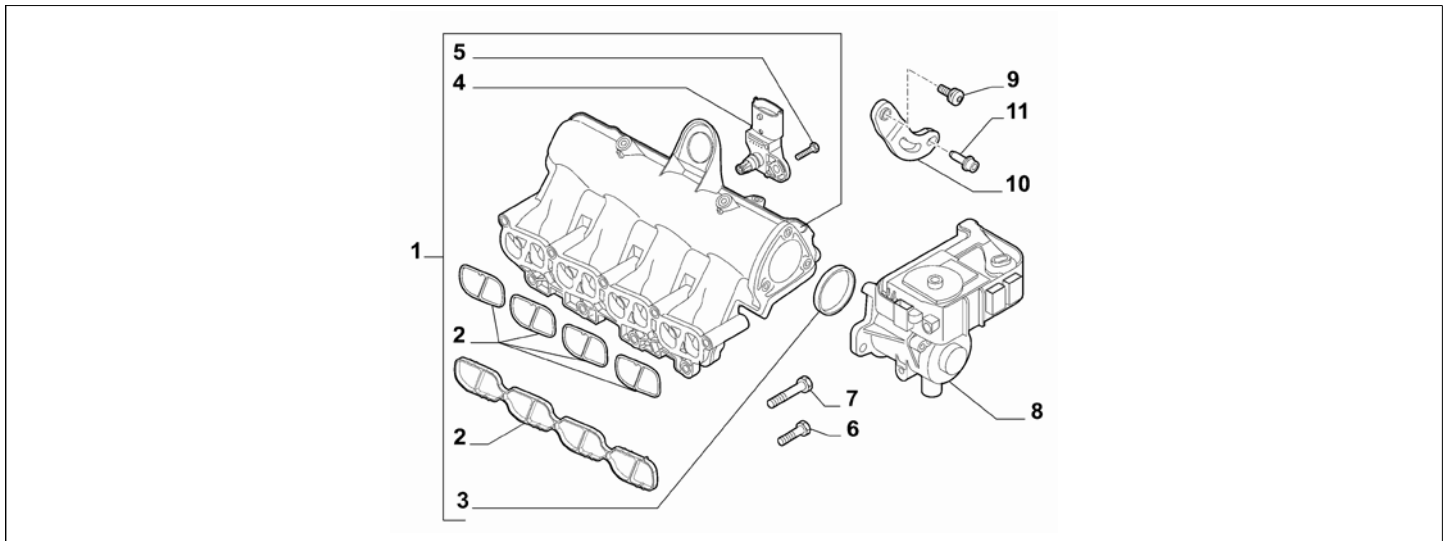


Part Num.	Description	Compatibility	Modif.	Qty	Notes	Col.	Reman.
1	55214435 INTAKE MANIFOLD, COMPLETE		C14089	01			
1	55229188 INTAKE MANIFOLD, COMPLETE		D14089, C14448	01			
1	55231272 INTAKE MANIFOLD, COMPLETE		D14448	01			
2	55206797 SENDING UNIT		C14089	01			
2	55219298 SENDING UNIT		D14089	1			
3	55217461 SCREW			01			
4	55215486 RIGHT THROTTLE BODY		C13433	01			71793573
4	55220870 RIGHT THROTTLE BODY		D13433	01			71724187
5	16288421 SCREW			01			
5	18750624 SCREW			01			
6	16297024 SCREW			02			
6	16286724 SCREW			01			
7	71748278 KIT		C13433	01			
7	71754009 KIT		D13433	01			
8	55192175 NUT			09			
9	55210343 BRACKET			01			
10	71753077 SEAL GASKET			01			
11	55272058 SEAL GASKET			01			
12	60812928 SCREW		D13433	02			

Legend

1.6D	HORSE POWER (MARKET):1598
13433	NEW THROTTLED BODY [MOT 6283609]
14089	NEW INTAKE MANIFOLD [MOT 6398438]
14448	NEW SUCTION DUCT [MOT 6471913]

Catalogue	MITO 2008-2011	
Category	3.10 INTAKE MANIFOLD	
Var.	01	1.3D + DIESEL + (95HP, 85HP) + EURO5
Rev.	00	



Part Num.	Description	Compatibility	Modif.	Qty	Notes	Col.	Reman.
1	55213267	INTAKE MANIFOLD	C13909	01			
1	55231287	INTAKE MANIFOLD	D13909	01			
2	71749369	SEAL GASKET, 4 PIECES		04	RED		
2	73501362	SEAL GASKET, ONE PIECE		04	GREEN		
3	71748758	SEAL GASKET		01			
4	55206797	SENDING UNIT	C13909	01			
4	55219298	SENDING UNIT	D13909	01			
5	71749370	SCREW		01			
6	73502574	SCREW AND WASHER ASSY, M8X30		04			
7	55186966	SCREW, M8X70		05			
8	51814492	RIGHT THROTTLE BODY		1			71797045
9	51814493	SCREW		3			
10	55253785	BRACKET		1			
11	11568127	SCREW		1			
11	11568427	SCREW		1			

Legend	
1.3D	HORSE POWER (MARKET):1.3
DIESEL	FUEL:DIESEL
EURO5	ECOLOGY:LIM.ECC PHASE 5
85HP	POWER:1.3 SDE 85HP EURO5
95HP	POWER:95HP
13909	INTRODUCTION OF A NEW INTAKE MANIFOLD DUE TO THE ADOPTION OF A NEW SENDER [DAT 28/09/2012]