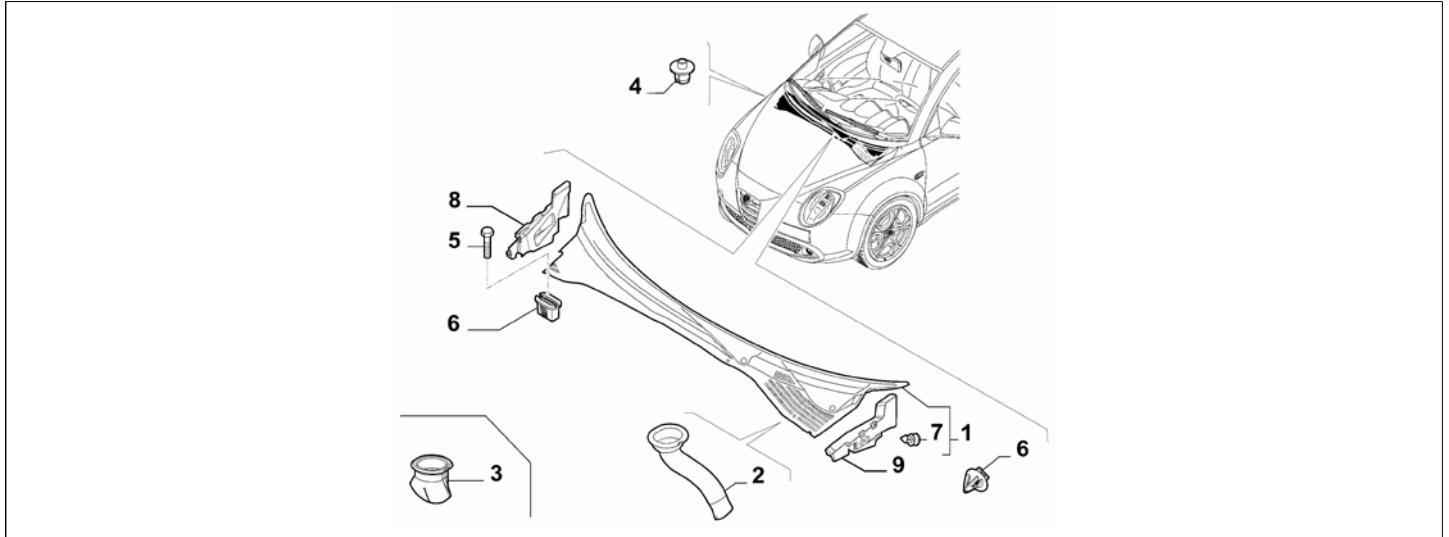


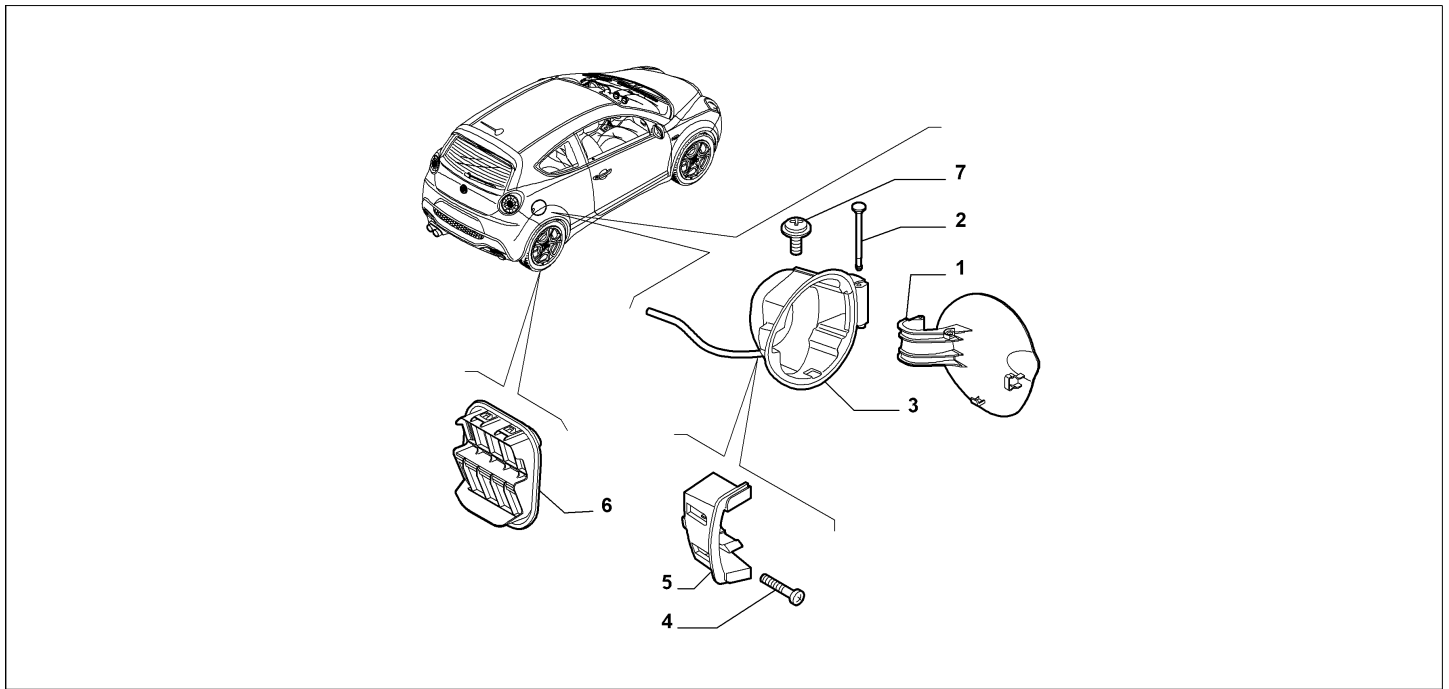
Catalogue	MITO 2008-2011	
Category	24.3 AIR INTAKES AND LIDS	
Var.	01	
Rev.	00	



Part Num.	Description	Compatibility	Modif.	Qty	Notes	Col.	Reman.
1	156084508	ORNAMENT	LHD	C15086	01		
1	156099902	ORNAMENT	LHD	D15086	01		
1	156084509	ORNAMENT	RHD	C15086	01		
1	156099903	ORNAMENT	RHD	D15086	01		
2	51810013	SLEEVE, LEFT			01		
2	51885638	SLEEVE, RIGHT			01		
3	46749072	SLEEVE, RH			01		
4	14115980	PAD			02		
5	15532207	SCREW, 8X19			03		
6	7754387	PAD			03		
7	71747674	PIN			01		
8	50513382	WICK, RIGHT	LHD		1		
9	50513383	WICK, LEFT	RHD		1		
10	51909780	PIN		D15086	1		
10	51909781	PIN		D15086	1		

Legend	
RHD	STEERING:RIGHT
LHD	STEERING:LEFT
15086	Adoption of new trim plus new pins [DAT 28/09/2011]

Catalogue	MITO 2008-2011	
Category	24.3 AIR INTAKES AND LIDS	
Var.	02	
Rev.	00	



Part Num.	Description	Compatibility	Modif.	Qty	Notes	Col.	Reman.
1	156084719 LID			1	WITH PRIMER		
2	50508668 PIN			02			
3	50508667 END PLATE			01			
4	16083507 SCREW, 4X12			01			
5	50508669 STRIKER PLATE			01			
6	51826662 ORNAMENT			02			
7	16083607 SCREW			01			