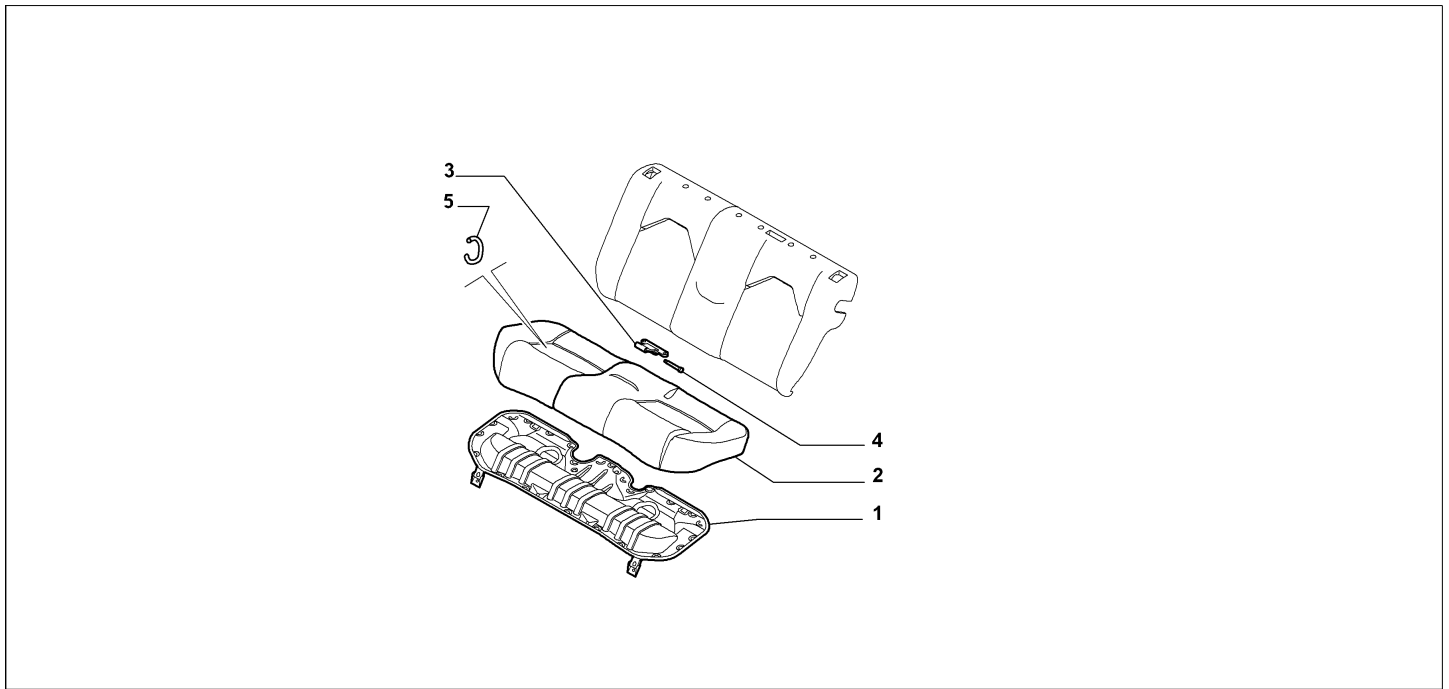


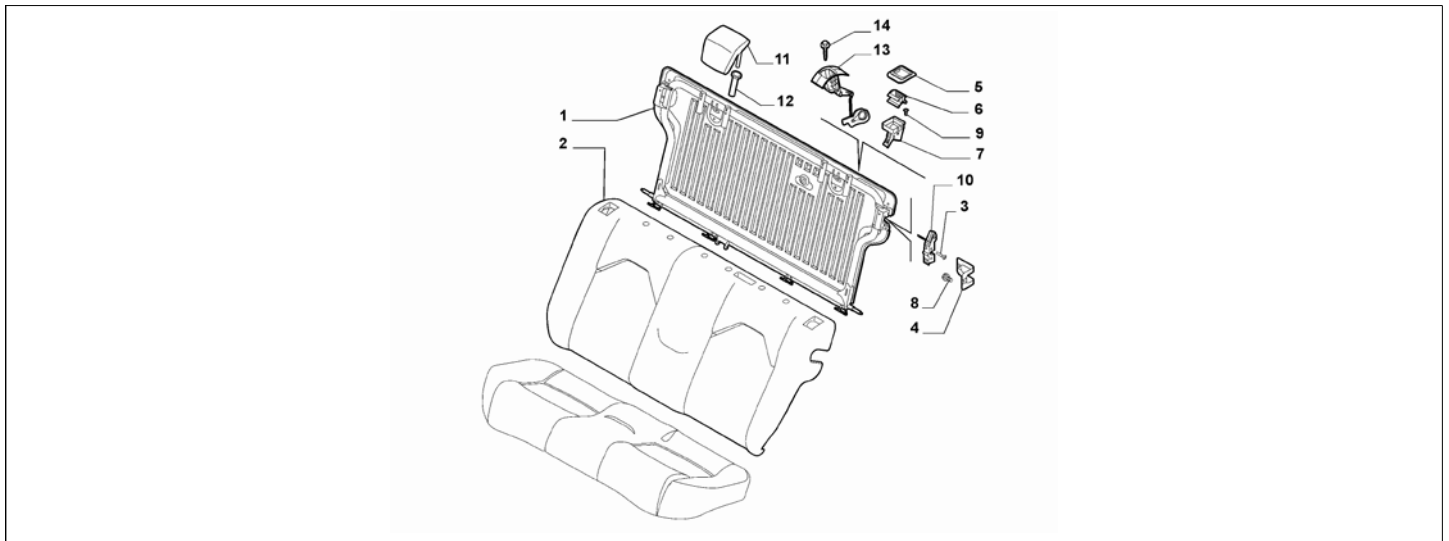
Catalogue	MITO 2008-2011	
Category	23.3 REAR SEAT	
Var.	01	!195 + !60K
Rev.	00	



Part Num.	Description	Compatibility	Modif.	Qty	Notes	Col.	Reman.
1	55702122 FRAMING			01			
2	71752086 PADDING			01			
3	55702263 BRACKET			01			
4	55702752 SCREW			01			
5	12161770 HOOK			16			

Legend	
195	SPLIT REAR SEAT
60K	5TH SEAT+SPLIT SEAT KIT

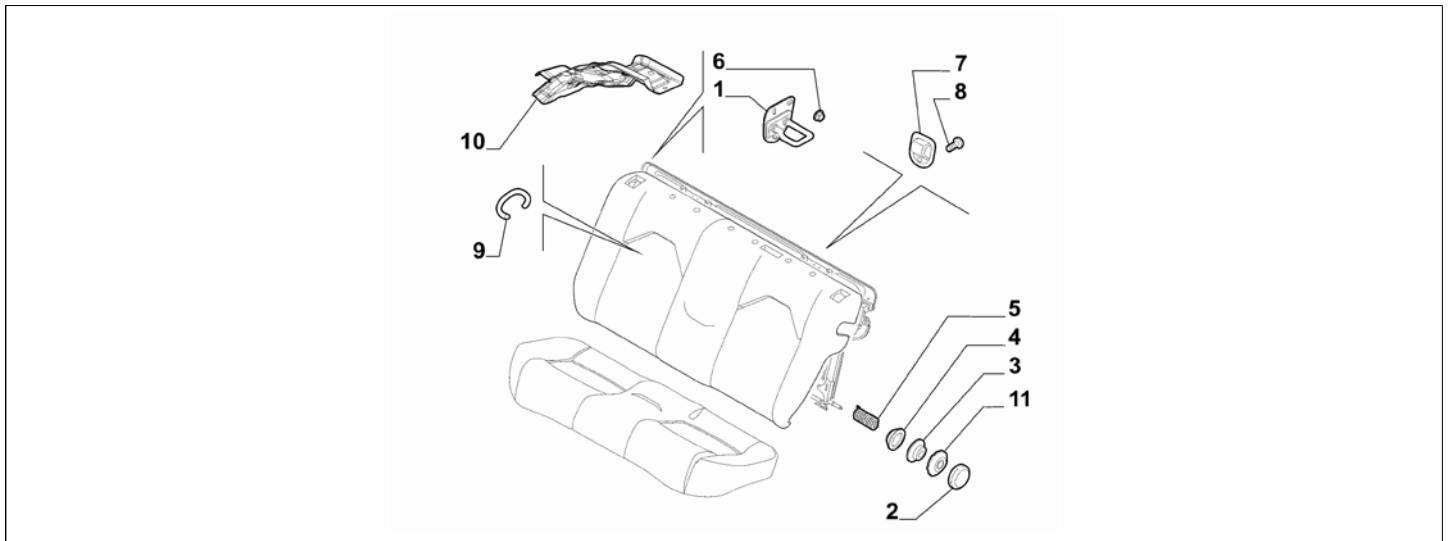
Catalogue	MITO 2008-2011	
Category	23.3 REAR SEAT	
Var.	02	!195 + !60K
Rev.	00	



Part Num.	Description	Compatibility	Modif.	Qty	Notes	Col.	Reman.
1	50515752	FRAMING, 2 POSTI	C14117	01			
1	51870682	FRAMING, 2 POSTI	D14117	01			
2	71752094	PADDING		01			
3	47302907	SCREW, M8X40		04			
4	184698180	ORNAMENT	C14117	02			
4	185542780	ORNAMENT	D14117	02			
5	184698080	ORNAMENT		02			
6	184697980	LEVER	C14117	02			
7	184736680	VESSEL, RH	C14117	01			
7	184697880	VESSEL, LH	C14117	01			
8	46791580	SCREW		06			
9	46990517	SCREW		04			
10	55702534	LOCK CYLINDER, RIGHT	C14117	01			
10	55702533	LOCK CYLINDER, LEFT	C14117	01			
11	71752292	HEADREST		02			
12	184631880	BUSHING, RIGHT		02			
12	184733480	BUSHING, LEFT		02			
13	185481080	VESSEL, RIGHT	D14117	1			
13	185480980	VESSEL, LEFT	D14117	1			
14	51847795	SCREW	D14117	4			

Legend	
195	SPLIT REAR SEAT
60K	5TH SEAT+SPLIT SEAT KIT
14117	NEW REAR SEAT RELEASE LOCK [DAT 10/03/2010]

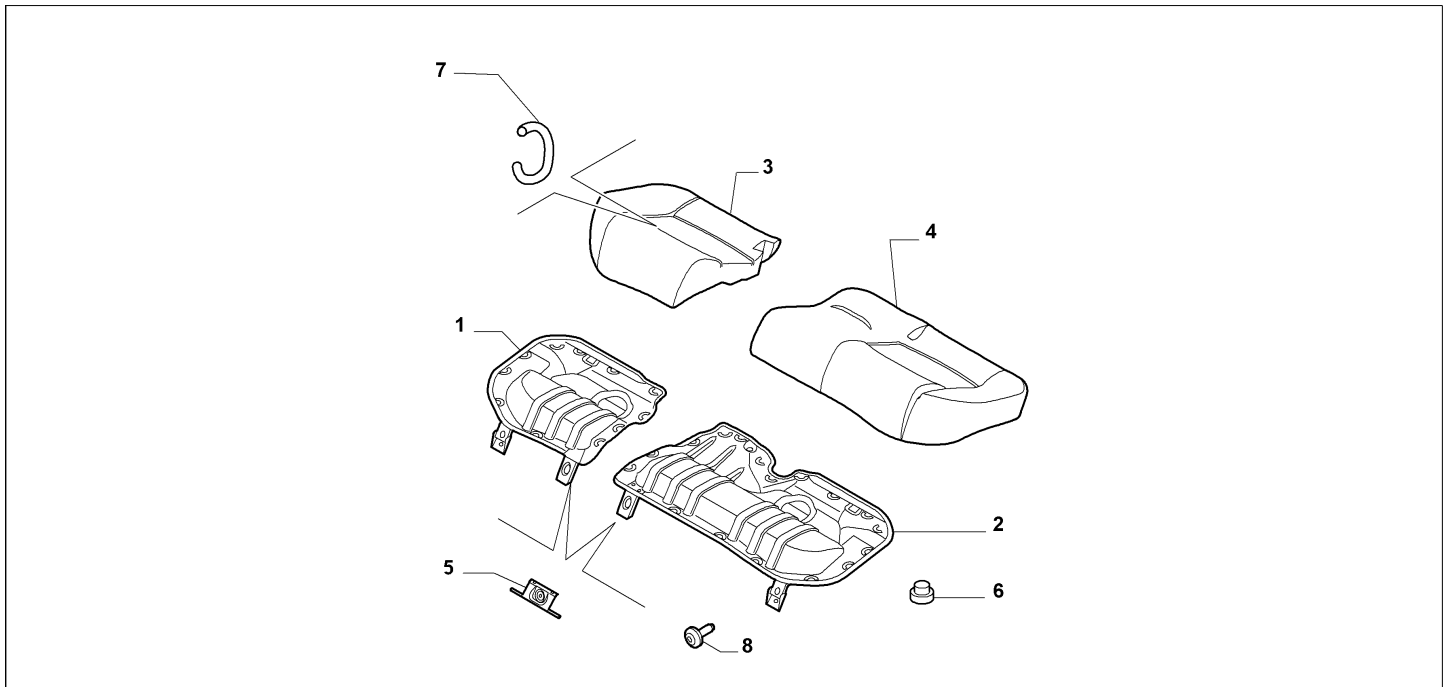
Catalogue	MITO 2008-2011	
Category	23.3 REAR SEAT	
Var.	03	!195 + !60K
Rev.	00	



Part Num.	Description	Compatibility	Modif.	Qty	Notes	Col.	Reman.
1	50514031 STRIKER PLATE, RH			01			
1	50514030 STRIKER PLATE, LH			01			
2	184963600 PLUG			02			
3	55701587 SPACER			02			
4	55701588 BUSH			02			
5	55701590 SPRING			02			
6	13046221 NUT, M8			06			
7	184032780 ORNAMENT			02			
8	46791580 SCREW			02			
9	12161770 HOOK			16			
10	50508882 BOXED PANEL, RH			01			
10	50508902 BOXED PANEL, LH			01			
11	55701605 PLUG			2			

Legend	
195	SPLIT REAR SEAT
60K	5TH SEAT+SPLIT SEAT KIT

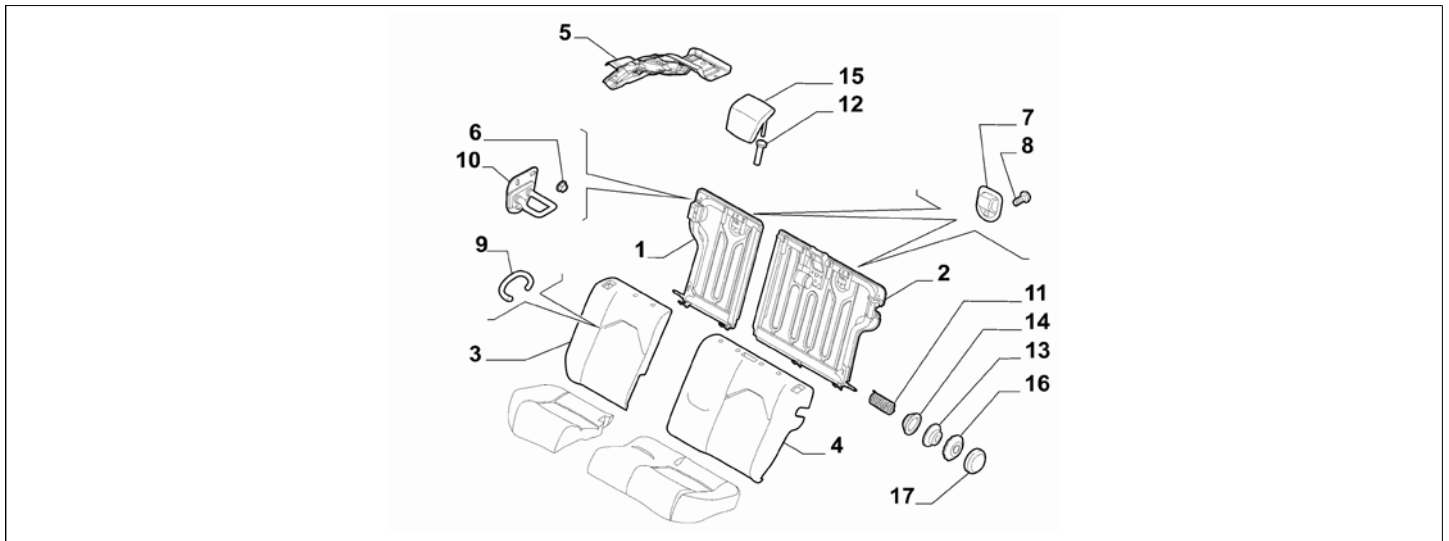
Catalogue	MITO 2008-2011	
Category	23.3 REAR SEAT	
Var.	01	195, 60K
Rev.	00	



Part Num.	Description	Compatibility	Modif.	Qty	Notes	Col.	Reman.
1	55702124 FRAMING, RH			01			
2	55702123 FRAMING, LH			01			
3	71752097 PADDING, RH			01			
4	71752096 PADDING, LH			01			
5	50513879 HINGE			01			
6	51728524 RUBBER STUD			01			
7	12161770 HOOK			08			
8	55702493 SCREW			03			

Legend	
195	SPLIT REAR SEAT
60K	5TH SEAT+SPLIT SEAT KIT

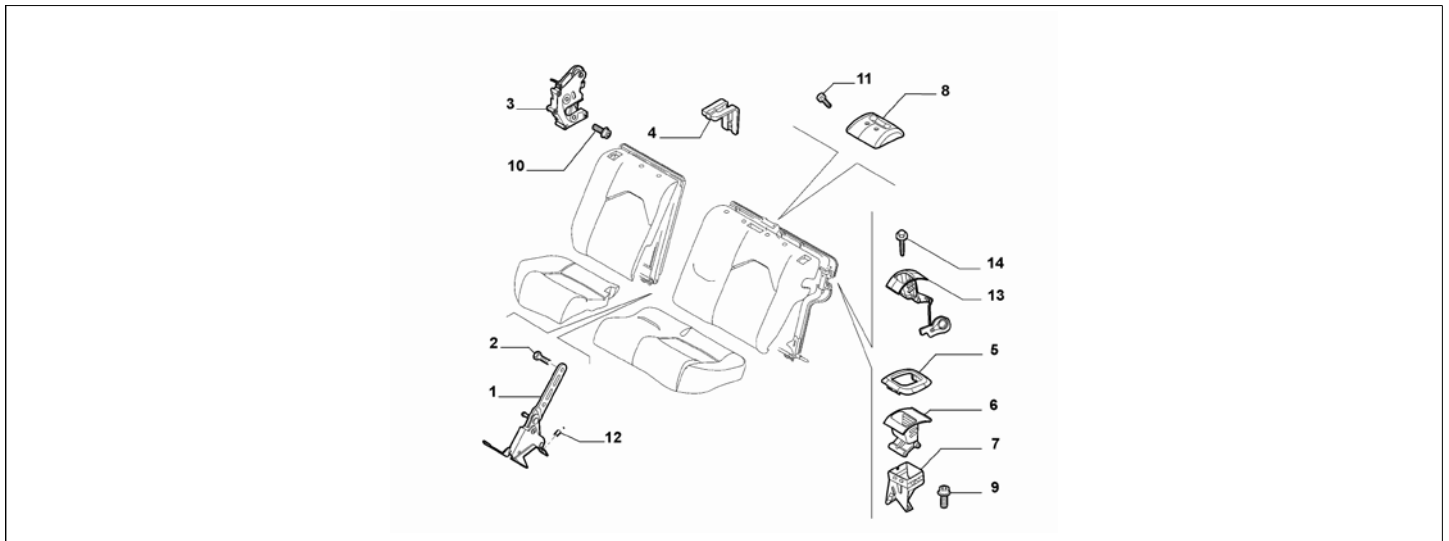
Catalogue	MITO 2008-2011	
Category	23.3 REAR SEAT	
Var.	02	195, 60K
Rev.	00	



Part Num.	Description	Compatibility	Modif.	Qty	Notes	Col.	Reman.
1	50515744	FRAMING, RH		01			
2	50515742	FRAMING, LH		01			
3	71752098	PADDING, RH		01			
4	71752099	PADDING, LH		01			
5	50508882	BOXED PANEL, RH		01			
5	50508902	BOXED PANEL, LH		01			
6	13046221	NUT, M8		06			
7	184032780	ORNAMENT		02			
8	46791580	SCREW		02			
9	12161770	HOOK		16			
10	50514031	STRIKER PLATE, LH		01			
10	50514030	STRIKER PLATE, RH		01			
11	55701590	SPRING		02			
12	184631880	BUSHING, RH		03			
12	184733480	BUSHING, LH		03			
13	55701587	SPACER		02			
14	55701588	BUSH		02			
15	71752292	HEADREST		03			
16	55701605	PLUG		2			
17	184963600	PLUG		2			

Legend	
195	SPLIT REAR SEAT
60K	5TH SEAT+SPLIT SEAT KIT

Catalogue	MITO 2008-2011	
Category	23.3 REAR SEAT	
Var.	03	195, 60K
Rev.	00	



Part Num.	Description	Compatibility	Modif.	Qty	Notes	Col.	Reman.
1	55701615	VESSEL		01			
2	55702350	SCREW, M10X20		02			
3	55702534	LOCK CYLINDER, RIGHT	C14117	01			
3	55702533	LOCK CYLINDER, LEFT	C14117	01			
4	184698180	ORNAMENT	C14117	02			
4	185542780	ORNAMENT	D14117	02			
5	184698080	ORNAMENT		02			
6	184697980	LEVER	C14117	02			
7	184736680	VESSEL, RIGHT	C14117	01			
7	184697880	VESSEL, LEFT	C14117	01			
8	184653980	ORNAMENT		01			
9	46990517	SCREW		04			
10	47302907	SCREW, M8X40	C14117	04			
11	46791580	SCREW		06			
12	55702251	BUSH		02			
13	185481080	VESSEL, RIGHT	D14117	1			
13	185480980	VESSEL, LEFT	D14117	1			
14	51847795	SCREW	D14117	4			

Legend	
195	SPLIT REAR SEAT
60K	5TH SEAT+SPLIT SEAT KIT
14117	NEW REAR SEAT RELEASE LOCK [DAT 10/03/2010]