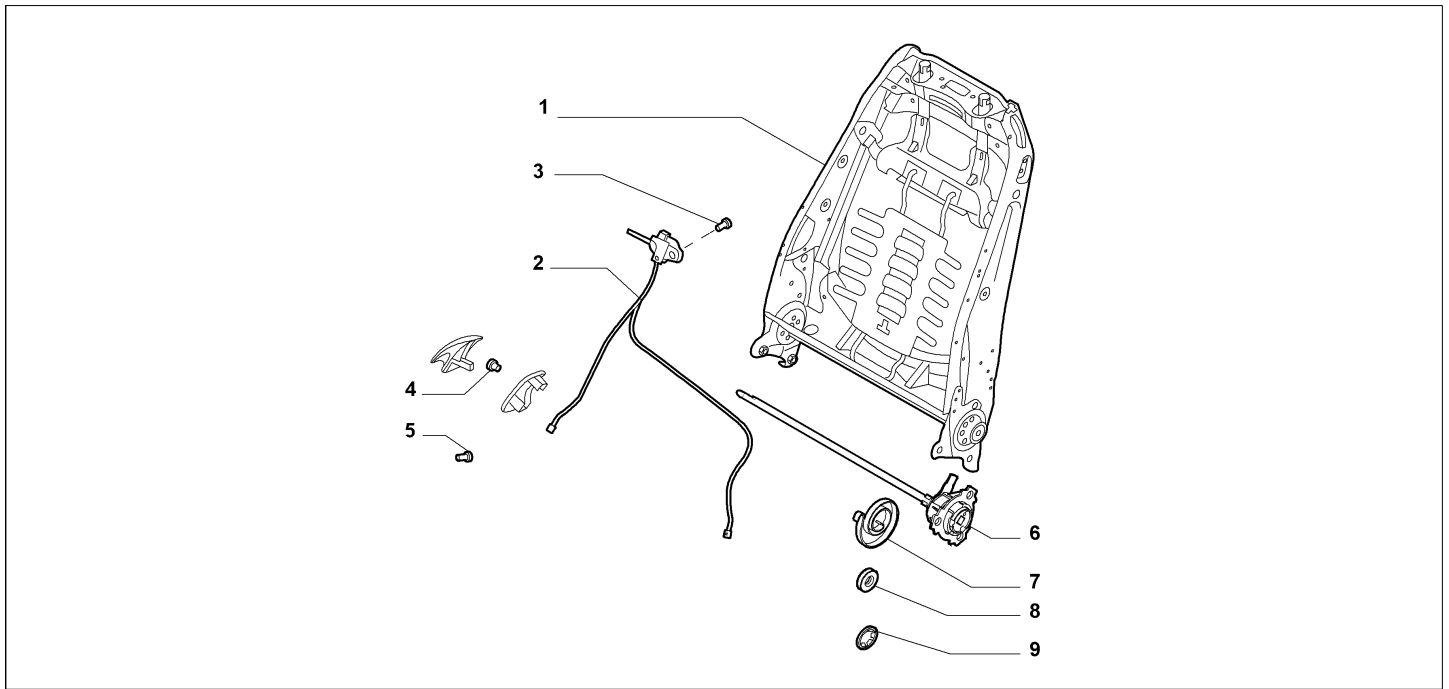


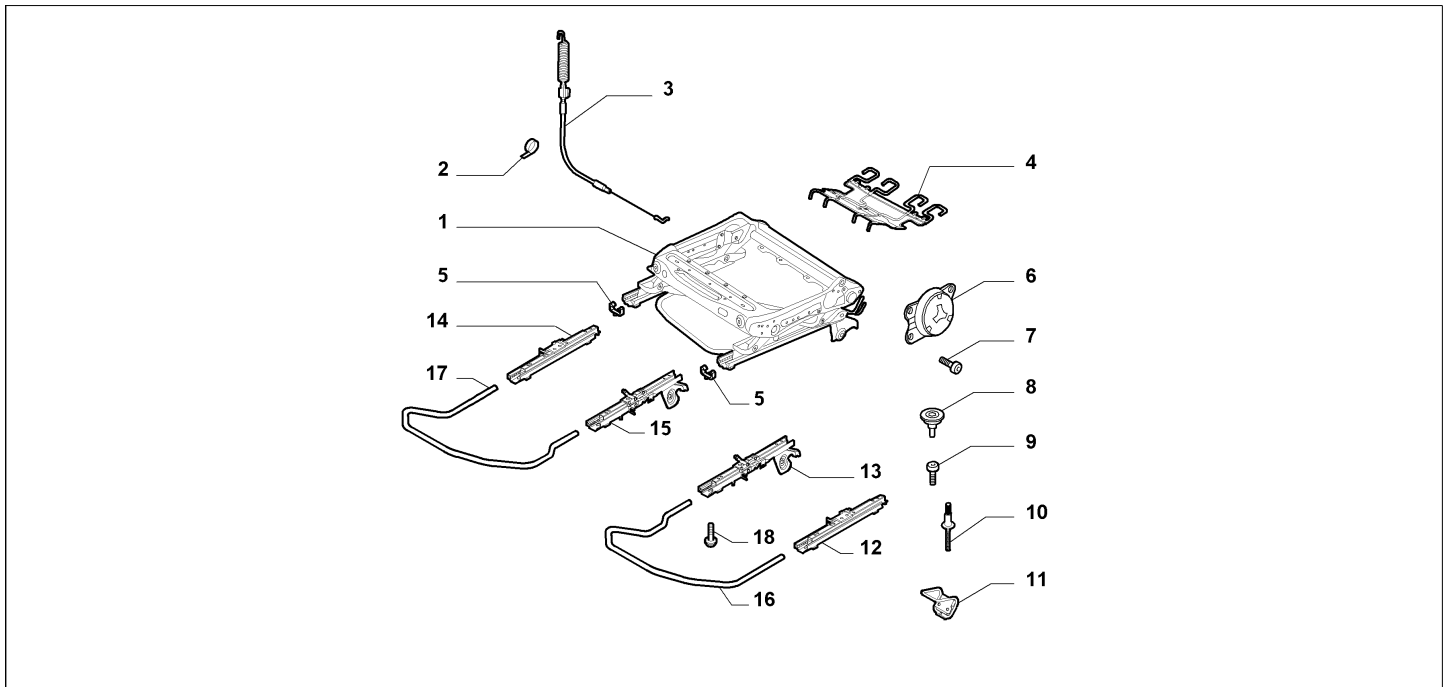
Catalogue	MITO 2008-2011	
Category	23.1 FRONT SEATS	
Var.	01	
Rev.	00	



Part Num.	Description	Compatibility	Modif.	Qty	Notes	Col.	Reman.
1	50514449	FRAMING, RIGHT	LHD+I456	C15022	01		
1	51903266	FRAMING, RIGHT	LHD+I456	D15022	01		
1	50514178	FRAMING, RIGHT	LHD+456	C15022	01		
1	51903265	FRAMING, RIGHT	LHD+456	D15022	01		
1	50514178	FRAMING, RIGHT	RHD+40Y+450	C15022	01		
1	51903265	FRAMING, RIGHT	RHD+40Y+450	D15022	01		
1	50514179	FRAMING, LEFT	LHD+40Y+450	C15022	01		
1	51903262	FRAMING, LEFT	LHD+40Y+450	D15022	01		
1	50514179	FRAMING, LEFT	RHD+456	C15022	01		
1	51903262	FRAMING, LEFT	RHD+456	D15022	01		
1	50514450	FRAMING, LEFT	RHD+I456	C15022	01		
1	51903263	FRAMING, LEFT	RHD+I456	D15022	01		
2	55703992	VESSEL, RH			01		
2	55703993	VESSEL, LH			01		
3	46791580	SCREW			01		
4	51722280	RIVET			02		
5	55702350	SCREW			01		
6	55703384	ADJUSTING ROD			01		
7	55703377	SPRING			01		
8	46837420	PLATE			01		
9	46991803	PLATE			01		

Legend	
40Y	LUMBAR ADJUSTMENT DRIVER'S SEAT
450	DRIVER SEAT WITH HEIGHT ADJUSTMENT
456	LUMBAR ADJUSTMENT PASSENGER SEAT
RHD	STEERING:RIGHT
LHD	STEERING:LEFT
15022	New front seatbacks frames with phosphated recliner flange [DAT 06/12/2010]

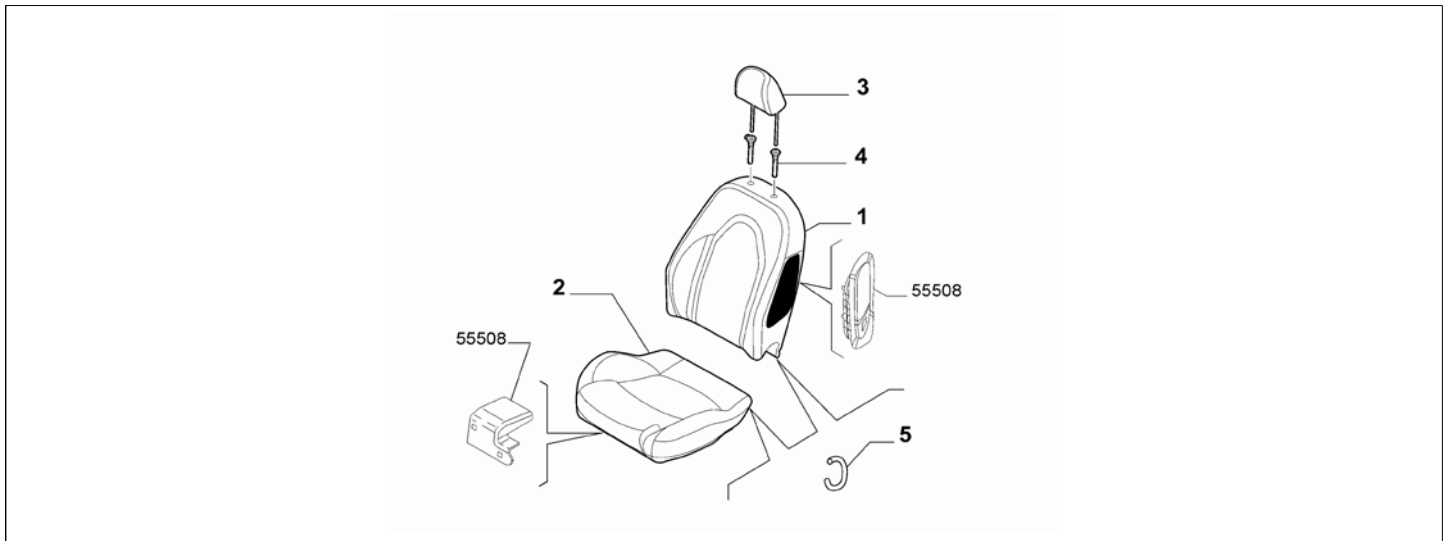
Catalogue	MITO 2008-2011	
Category	23.1 FRONT SEATS	
Var.	02	
Rev.	00	



Part Num.	Description	Compatibility	Modif.	Qty	Notes	Col.	Reman.
1	50513883	FRAMING, RH	LHD				
1	50514058	FRAMING, LH	RHD				
1	51865129	FRAMING, RH	RHD+450+40Y				
1	51865130	FRAMING, LH	LHD+450+40Y				
2	46832779	CLIP					
3	55701767	ROD, RH					
3	55702371	ROD, LH					
4	71752071	DIAPHRAGM					
5	47303109	COVERING					
6	55702630	GOVERNOR REGU_LATING ASSY, RH					
6	55702629	GOVERNOR REGU_LATING ASSY, LH					
7	51848964	SCREW					
8	55702070	PIN					
9	55702494	SCREW					
10	51791328	RIVET					
11	50513892	BRACKET					
12	55701702	GUIDE, SN EST					
13	55703388	GUIDE, SN INT					
14	55701703	GUIDE, DS EST					
15	55703389	GUIDE, DS INT					
16	55703397	HANDLE, LH					
17	55703398	HANDLE, RH					
18	55702349	SCREW					

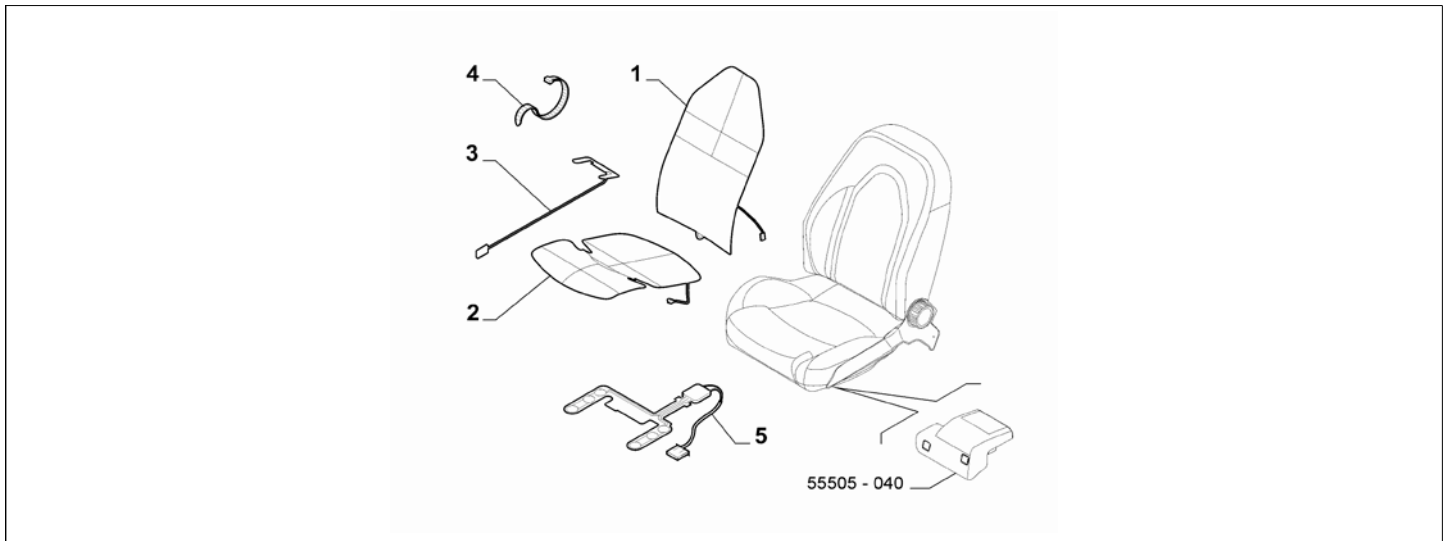
Legend	
40Y	LUMBAR ADJUSTMENT DRIVER'S SEAT
450	DRIVER SEAT WITH HEIGHT ADJUSTMENT
RHD	STEERING:RIGHT
LHD	STEERING:LEFT

Catalogue	MITO 2008-2011	
Category	23.1 FRONT SEATS	
Var.	03	
Rev.	00	



Part Num.	Description	Compatibility	Modif.	Qty	Notes	Col.	Reman.
1	71752074 PADDING, RH			01			
1	71752073 PADDING, LH			01			
2	71752075 PADDING, RH			01			
2	71752076 PADDING, LH			01			
3	71752077 HEADREST			02			
4	71753336 BUSHING, RH			02			
4	71753337 BUSHING, LH			02			
5	12161770 HOOK			17			

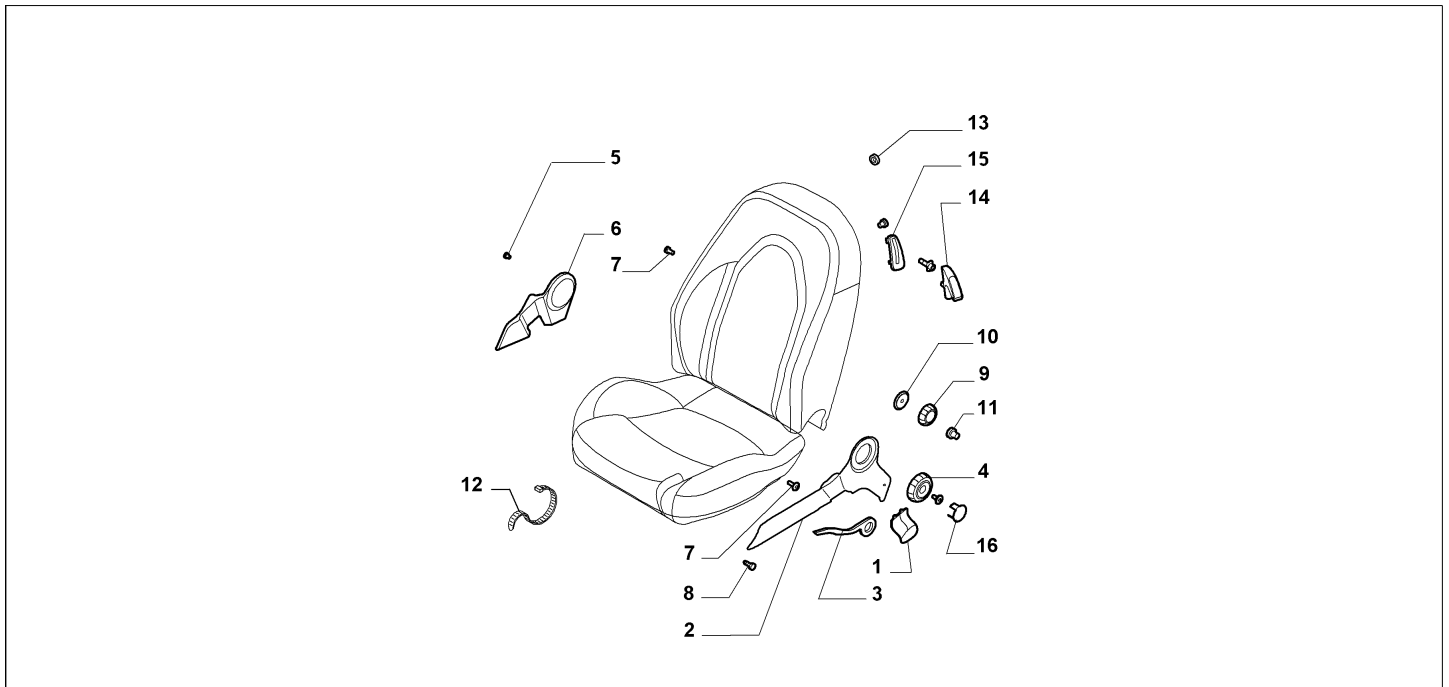
Catalogue	MITO 2008-2011	
Category	23.1 FRONT SEATS	
Var.	04	
Rev.	00	



Part Num.	Description	Compatibility	Modif.	Qty	Notes	Col.	Reman.
1	71752079 RESISTOR	452		02			
2	71752078 RESISTOR	452		02			
3	71752083 ELECTRIC CABLE	452		01			
3	71752080 ELECTRIC CABLE	452		01			
4	51722334 STRAP			01			
5	71769768 SENSOR			1			

Legend	
452	2 FRONT HEATED SEATS

Catalogue	MITO 2008-2011	
Category	23.1 FRONT SEATS	
Var.	05	
Rev.	00	



Part Num.	Description	Compatibility	Modif.	Qty	Notes	Col.	Reman.
1	184684080	PLUG, DS EST		01	PASSENGER SEAT		
1	184683880	PLUG, SN EST		01	PASSENGER SEAT		
1	184683080	PLUG, DS EST		01	DRIVER SEAT		
1	184682880	PLUG, SN EST		01	DRIVER SEAT		
2	184683780	COVERING, DS EST		01	PASSENGER SEAT		
2	184682780	COVERING, SN EST		01	PASSENGER SEAT		
2	184682780	COVERING, DS EST		01	DRIVER SEAT		
2	184682680	COVERING, SN EST		01	DRIVER SEAT		
3	185550680	LEVER, RH		01			
3	185550580	LEVER, LH		01			
4	184684280	KNOB		02			
5	55702570	SCREW, M8X10		01			
6	184683580	COVERING, DS INT		01			
6	184683480	COVERING, SN INT		01			
7	51761900	BUTTON		10			
8	46791580	SCREW		06			
9	185070680	KNOB		01	DRIVER SEAT		
10	120578080	ORNAMENT		01	DRIVER SEAT		
11	185070780	PLUG		01			
12	14560187	STRAP		04			
13	55703722	PLATE		01			
14	184668680	LEVER		01			
15	184668780	ORNAMENT		01			
16	184684380	PLUG		02			