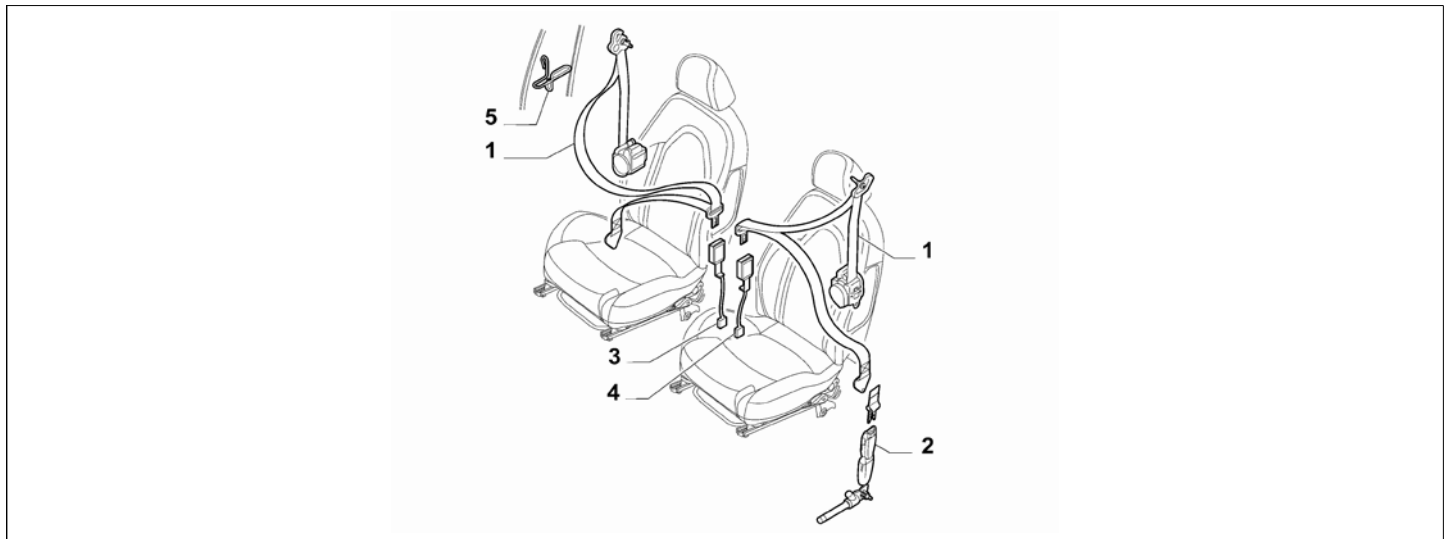


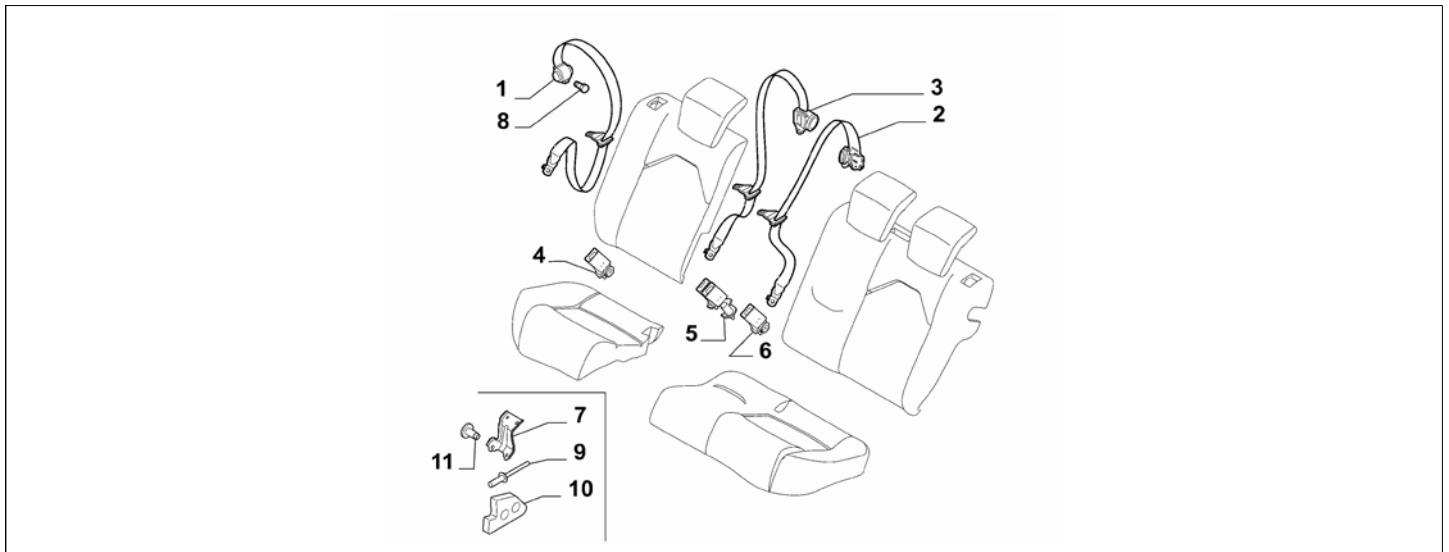
Catalogue	MITO 2008-2011	
Category	22.9 SAFETY BELTS	
Var.	01	
Rev.	00	



Part Num.	Description	Compatibility	Modif.	Qty	Notes	Col.	Reman.
1	156080878	SAFETY BELT	C13858	02			
1	156093012	SAFETY BELT	AM00, AM23, AM47, AM81, AM87 D13858, C14675	2			
1	156093012	SAFETY BELT, LATO GUIDA	AM00, AM23, AM47, AM81, AM87 D14675	1			
1	156098997	SAFETY BELT, PASSENGER SIDE	AM00, AM23, AM47, AM81, AM87 D14675	1			
1	156093012	SAFETY BELT	LHD+AM26 D13858	2			
1	156091434	SAFETY BELT	AM26 C13858	02			
1	156093014	SAFETY BELT	RHD+AM26 D13858, C14675	2			
1	156093014	SAFETY BELT, LATO GUIDA	RHD+AM26 D14675	1			
1	156098998	SAFETY BELT, PASSENGER SIDE	RHD+AM26 D14675	1			
2	156080877	BELT COUPLING PART, RH	C13858	01			
2	156093017	BELT COUPLING PART, RH	D13858	01			
2	156080876	BELT COUPLING PART, LH	C13858	01			
2	156093016	BELT COUPLING PART, LH	D13858	01			
3	71751466	BELT COUPLING PART, RH		01			
4	71751467	BELT COUPLING PART, LH		01			
5	51734037	BRACKET		02			

Legend	
AM00	MARKET VERSION:ITALY/CENTRAL EUROPE
AM23	MARKET VERSION:AUSTRALIA
AM26	MARKET VERSION:JAPAN
AM47	MARKET VERSION:MEXICO
AM81	MARKET VERSION:LIGHT TROPICS
AM87	MARKET VERSION:UNITED KINGDOM/IRELAND
RHD	STEERING:RIGHT
LHD	STEERING:LEFT
13858	New pretensioner and new retractor section [DAT 23/09/2009]
14675	INTRODUCTION OF A TAPE LOOP INSTEAD OF A FASTENER [DAT 10/01/2011]

Catalogue	MITO 2008-2011	
Category	22.9 SAFETY BELTS	
Var.	02	
Rev.	00	



Part Num.	Description	Compatibility	Modif.	Qty	Notes	Col.	Reman.
1	156080880 SAFETY BELT, RH			1			
2	156080881 SAFETY BELT, LH			01			
3	71751470 SAFETY BELT, CENTR	60K		01			
4	156084659 BELT COUPLING PART, RH			1			
5	156084657 BELT COUPLING PART, CENTR	60K		1			
6	156084658 BELT COUPLING PART, LH			01			
7	55703159 BRACKET			01			
8	46455728 SCREW			08			
9	51781491 RIVET			04			
10	51781459 BRACKET, RH			01			
10	51781460 BRACKET, LH			01			
11	51763890 SCREW			02			

Legend	
60K	5TH SEAT+SPLIT SEAT KIT