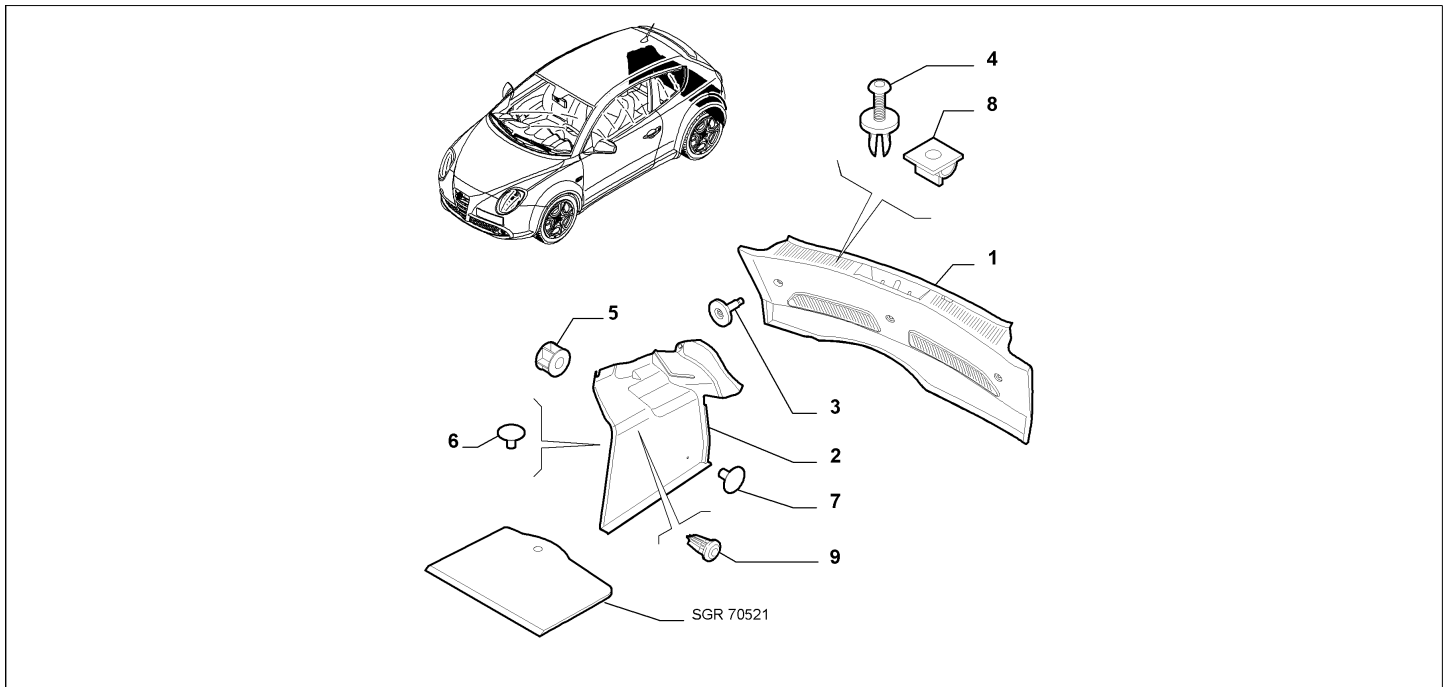


|           |  |  |
|-----------|--|--|
| Catalogue | MITO 2008-2011                             |  |
| Category  | 22.8 BAGGAGE COMPARTMENT INTERIOR TRIMMING |  |
| Var.      | 01   |  |
| Rev.      | 00   |  |



| Part Num. | Description            | Compatibility  | Modif. | Qty | Notes | Col. | Reman. |
|-----------|------------------------|----------------|--------|-----|-------|------|--------|
| 1         | 156083141 COVERING     |                |        | 1   |       |      |        |
| 2         | 156083189 COVERING, RH | !912           |        | 1   |       |      |        |
| 2         | 156083190 COVERING, RH | 912            |        | 1   |       |      |        |
| 2         | 156083193 COVERING, LH | !002           |        | 1   |       |      |        |
| 2         | 156083194 COVERING, LH | 002            |        | 1   |       |      |        |
| 3         | 51810312 SCREW         |                |        | 01  |       |      |        |
| 4         | 82421028 BUTTON        |                |        | 03  |       |      |        |
| 5         | 51789849 PAD           |                |        | 02  |       |      |        |
| 6         | 735266957 BUTTON       | !002+!230+!60K |        | 2   |       |      |        |
| 7         | 735266957 BUTTON       | !002+!230+!60K |        | 02  |       |      |        |
| 8         | 4334196 PLUG           |                |        | 02  |       |      |        |
| 9         | 735398155 BUTTON       |                |        | 10  |       |      |        |

| Legend |                                 |
|--------|---------------------------------|
| 002    | SUSPENSION WITH DAMPING CONTROL |
| 230    | GAS DISCHARGE HEADLIGHTS        |
| 60K    | 5TH SEAT+SPLIT SEAT KIT         |
| 912    | FIRE EXTINGUISHER               |