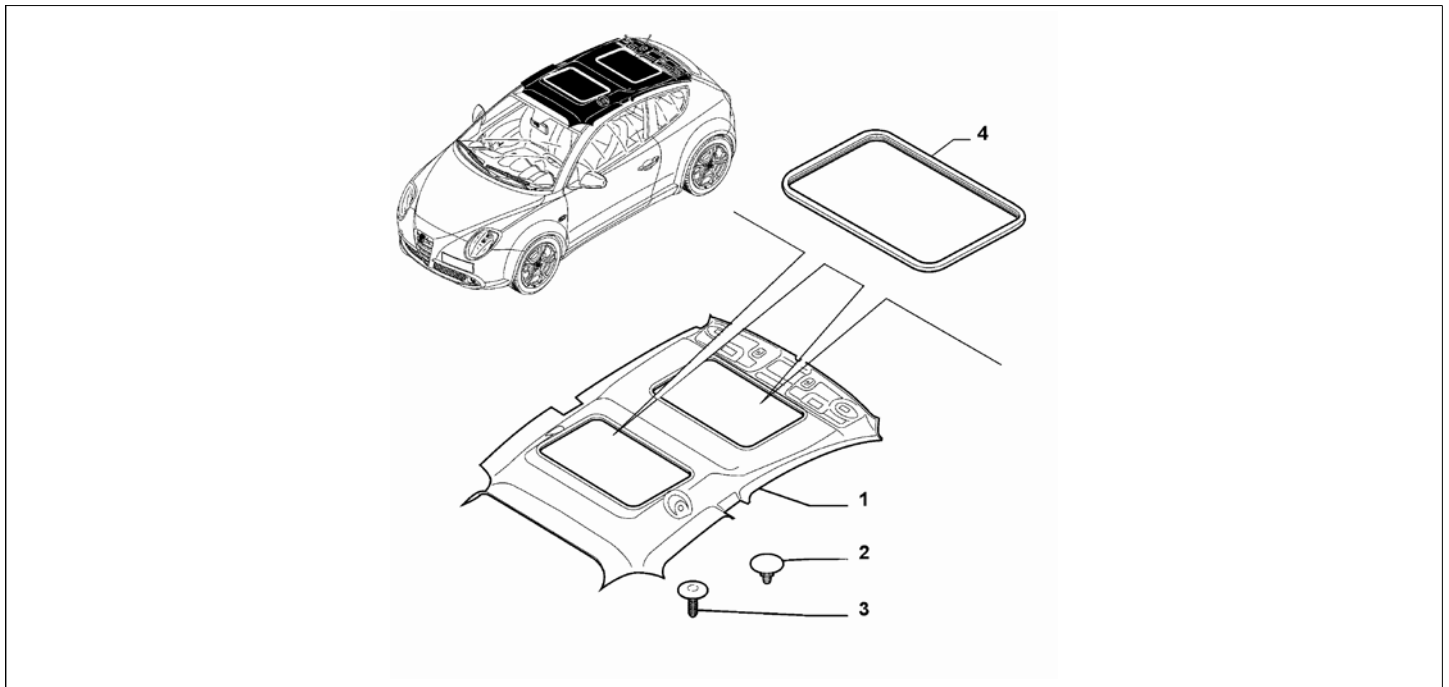


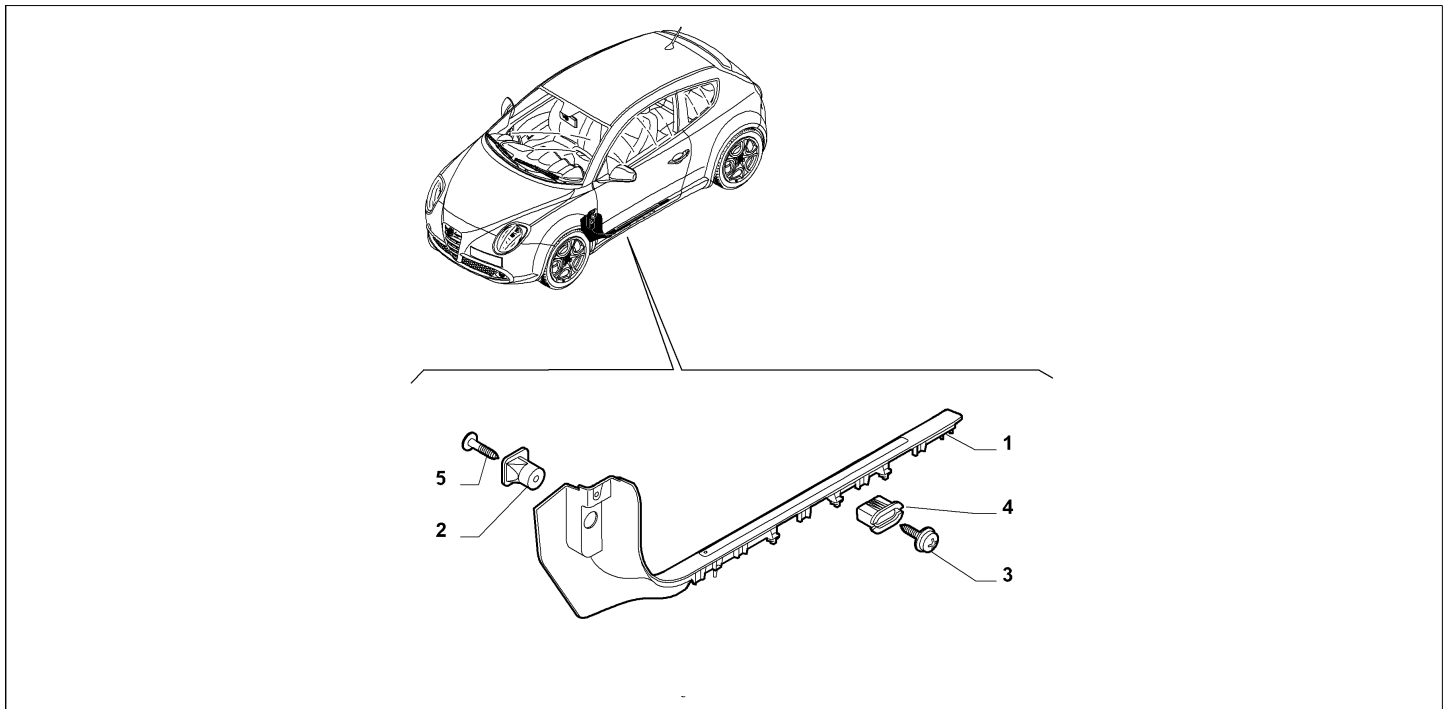
Catalogue	MITO 2008-2011	
Category	22.5 INTERIOR TRIM	
Var.	01	LL0
Rev.	00	



Part Num.	Description	Compatibility	Modif.	Qty	Notes	Col.	Reman.
1	156101789 COVERING	I213+I400+I55Y		1			
1	156101790 COVERING	400		1			
1	156101791 COVERING	I213+I400+55Y		1			
1	156101791 COVERING	213+I400		1			
2	156092055 BUTTON	I400		02	BLACK		
2	156087271 BUTTON	I400		02	BEIGE		
2	156087273 BUTTON	I400		02	SLATE GREY		
2	156092055 BUTTON	400		1	BLACK		
2	156087273 BUTTON	400		1	SLATE GREY		
2	156087271 BUTTON	400		1	BEIGE		
3	735470610 PLUG	400		01			
4	156087864 COVERING	400		01			

Legend	
213	ALARM SYSTEM
400	LONG OPENABLE ELECTRIC SUNROOF
55Y	CONVERGENCE C3
LL0	TRIM LEVEL:PROGRESSION

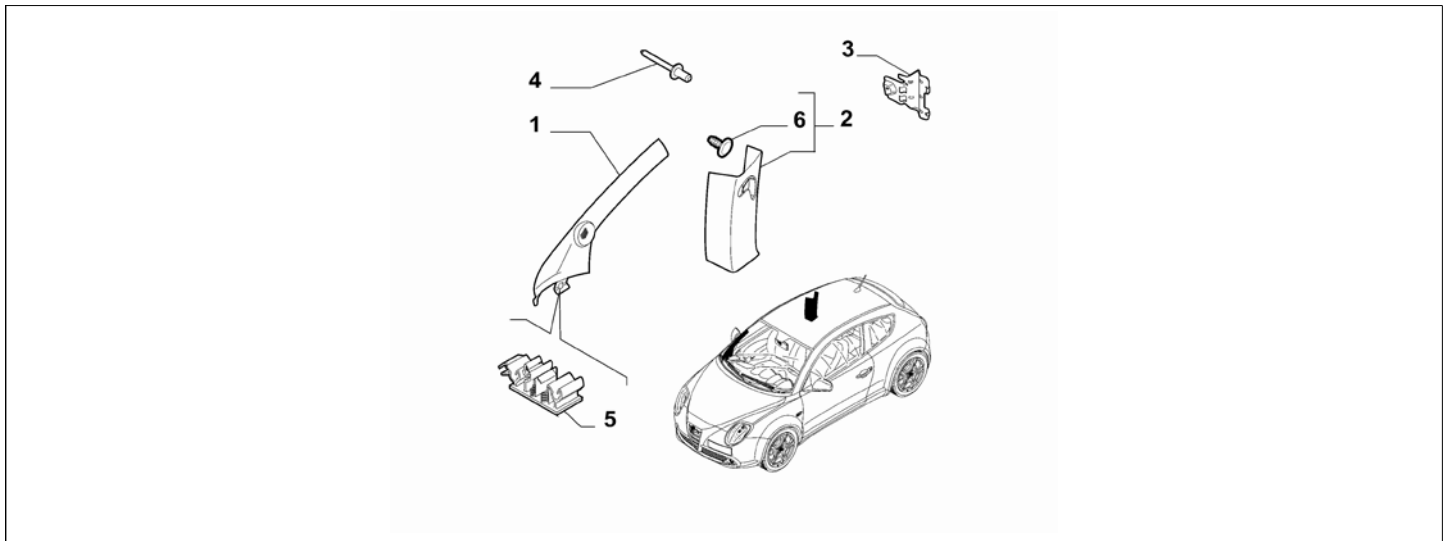
Catalogue	MITO 2008-2011	
Category	22.5 INTERIOR TRIM	
Var.	02	LL0
Rev.	00	



Part Num.	Description	Compatibility	Modif.	Qty	Notes	Col.	Reman.
1	156083073	DOORSILL MOULDING, RH		01			
1	156083075	DOORSILL MOULDING, LH		01			
2	51777226	PAD		01			
3	16083707	SCREW, 4X20		01			
4	7754387	PAD		01			
5	15691007	SCREW, 10X25		01			

Legend	
LL0	TRIM LEVEL:PROGRESSION

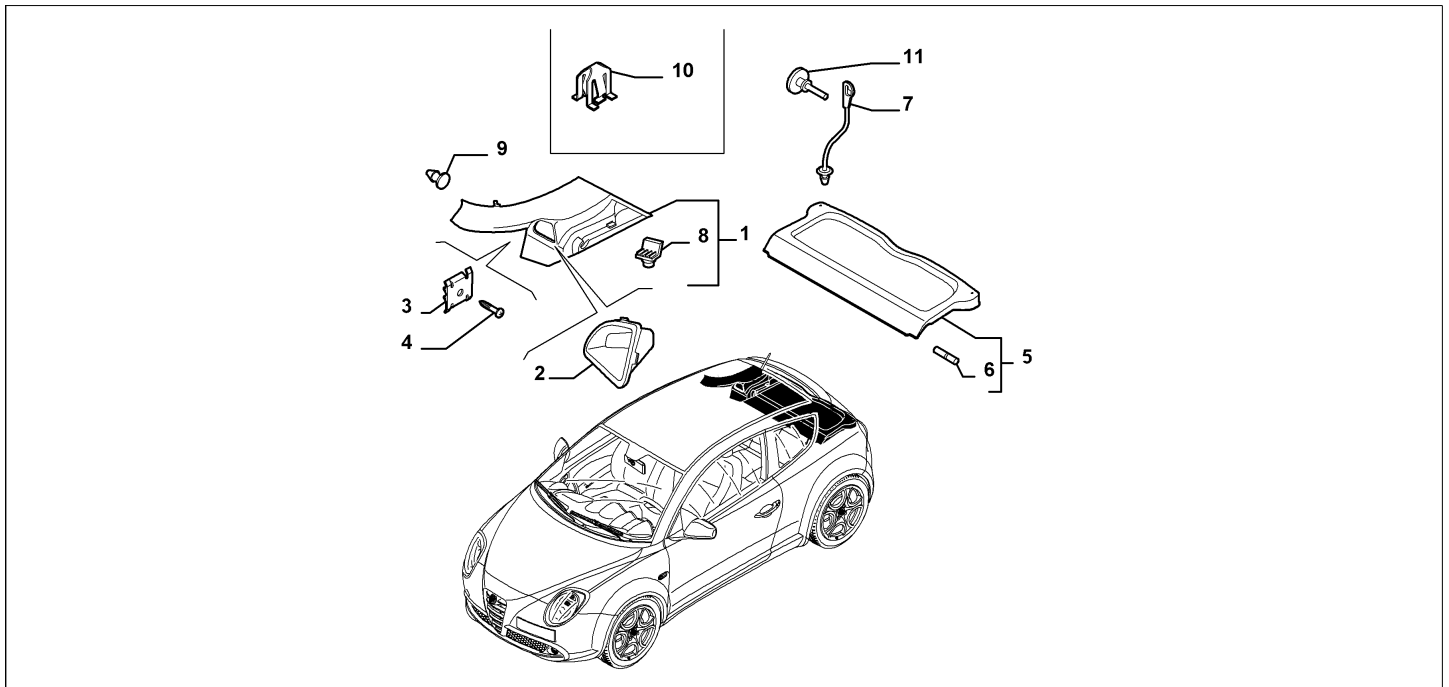
Catalogue	MITO 2008-2011	
Category	22.5 INTERIOR TRIM	
Var.	03	LL0
Rev.	00	



Part Num.	Description	Compatibility	Modif.	Qty	Notes	Col.	Reman.
1	156083271 COVERING, RH			01			
1	156083272 COVERING, LH			01			
2	156083287 COVERING, RH			01			
2	156083285 COVERING, LH			01			
3	50508480 BRACKET, RH			01			
3	50508481 BRACKET, LH			01			
4	11438592 RIVET			01			
5	51805173 CLIP			01			
6	71751452 BUTTON			4			

Legend	
LL0	TRIM LEVEL:PROGRESSION

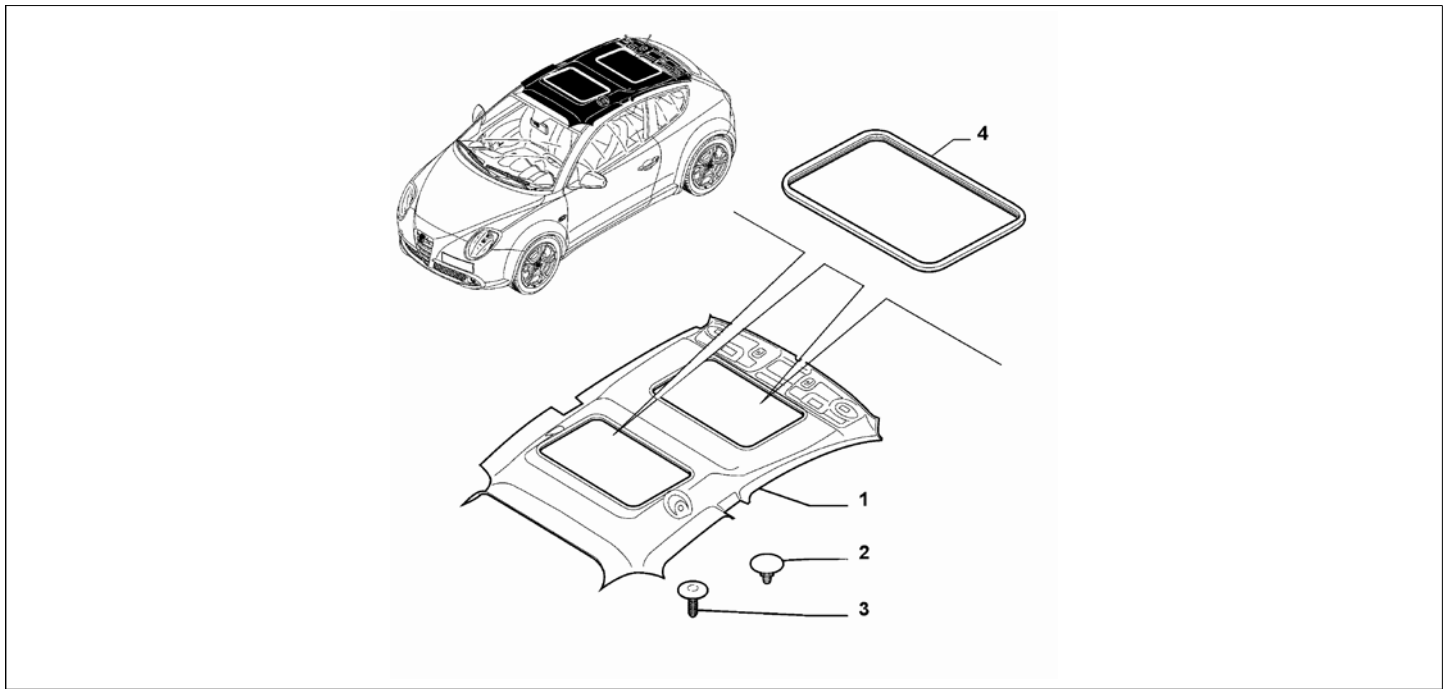
Catalogue	MITO 2008-2011	
Category	22.5 INTERIOR TRIM	
Var.	04	LL0
Rev.	00	



Part Num.	Description	Compatibility	Modif.	Qty	Notes	Col.	Reman.
1	156083462 COVERING, RH		C12926	01			
1	156088317 COVERING, RH		D12926	01			
1	156083465 COVERING, LH		C12926	01			
1	156088318 COVERING, LH		D12926	01			
2	735410489 ORNAMENT, RH			01			
2	735410490 ORNAMENT, LH			01			
3	7770156 BRACKET			01			
4	46555555 SCREW			01			
5	156085449 HAT BOARD			01			
6	71741339 SEAL GASKET			02			
7	71751449 ROD			02			
8	71751451 PAD			01			
9	71751452 BUTTON			01			
10	71751453 CLIP			03			
11	7670683 PIN			01			

Legend	
LL0	TRIM LEVEL:PROGRESSION
12926	NEW COVERINGS REAR RIGHT AND LEFT SIDE [DAT 15/09/2008]

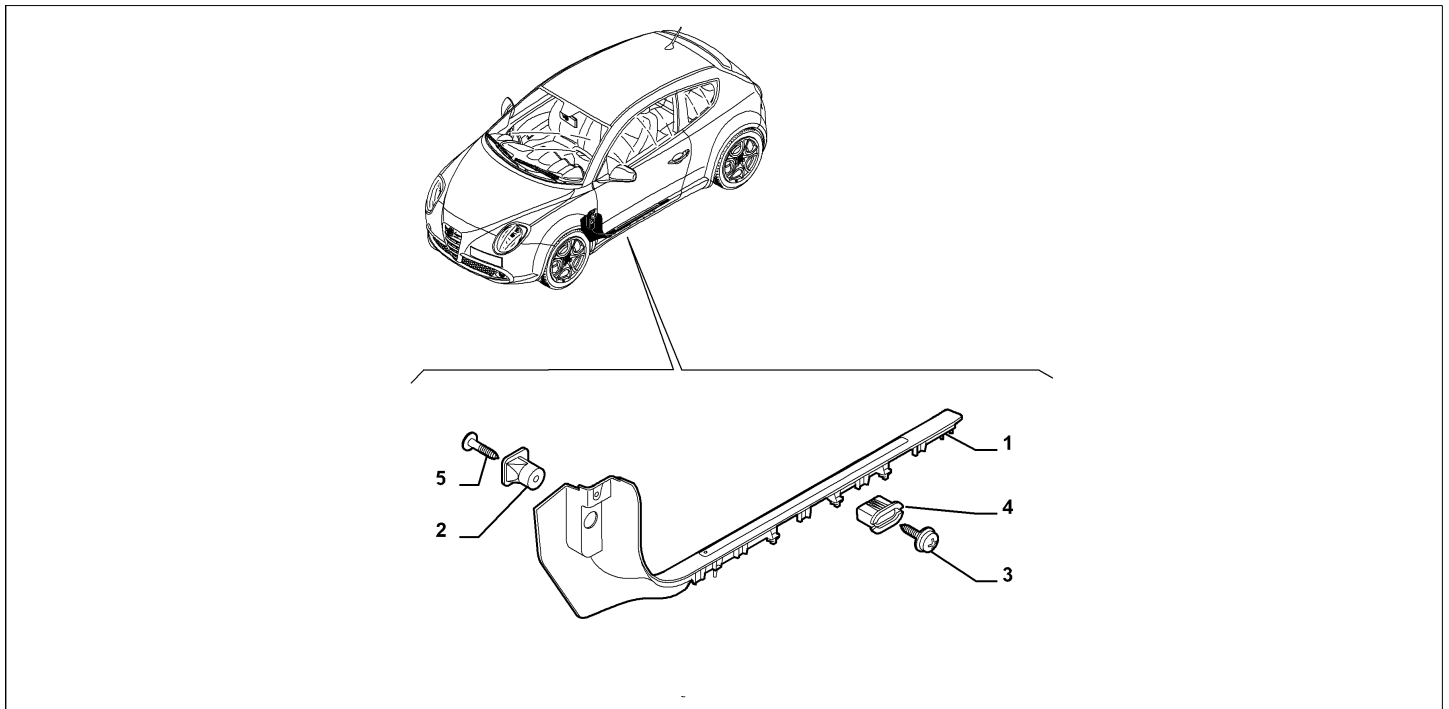
Catalogue	MITO 2008-2011	
Category	22.5 INTERIOR TRIM	
Var.	01	LL2 + !5J3
Rev.	00	



Part Num.	Description	Compatibility	Modif.	Qty	Notes	Col.	Reman.
1	156101786	COVERING	!213+!400+!55Y	1			
1	156101787	COVERING	400	1			
1	156101788	COVERING	!213+!400+55Y	1			
1	156101788	COVERING	213+!400	1			
2	156084512	BUTTON		02			
3	735470610	PLUG	400	01			
4	156087864	COVERING	400	01			

Legend	
213	ALARM SYSTEM
400	LONG OPENABLE ELECTRIC SUNROOF
55Y	CONVERGENCE C3
5J3	INTERIOR KIT
LL2	TRIM LEVEL:DISTINCTIVE

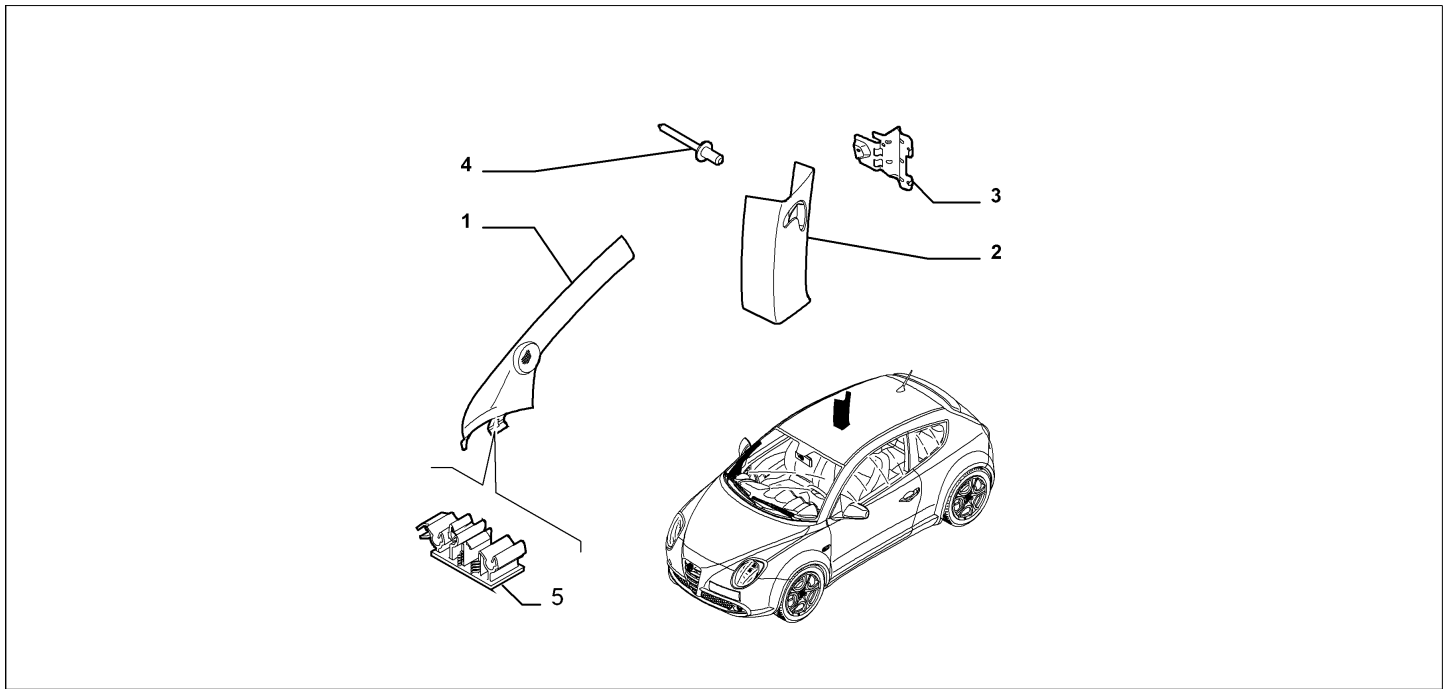
Catalogue	MITO 2008-2011	
Category	22.5 INTERIOR TRIM	
Var.	02	LL2 + !5J3
Rev.	00	



Part Num.	Description	Compatibility	Modif.	Qty	Notes	Col.	Reman.
1	156083073 DOORSILL MOULDING, RIGHT	!018		1			
1	156083074 DOORSILL MOULDING, RIGHT WITH CHROME PANEL	018		1			
1	156083075 DOORSILL MOULDING, LEFT	!018		1			
1	156083076 DOORSILL MOULDING, LEFT WITH CHROME TAB	018		1			
2	51777226 PAD			01			
3	16083707 SCREW, 4X20			01			
4	7754387 PAD			01			
5	15691007 SCREW, 10X25			01			

Legend	
018	KICK PLATE
5J3	INTERIOR KIT
LL2	TRIM LEVEL:DISTINCTIVE

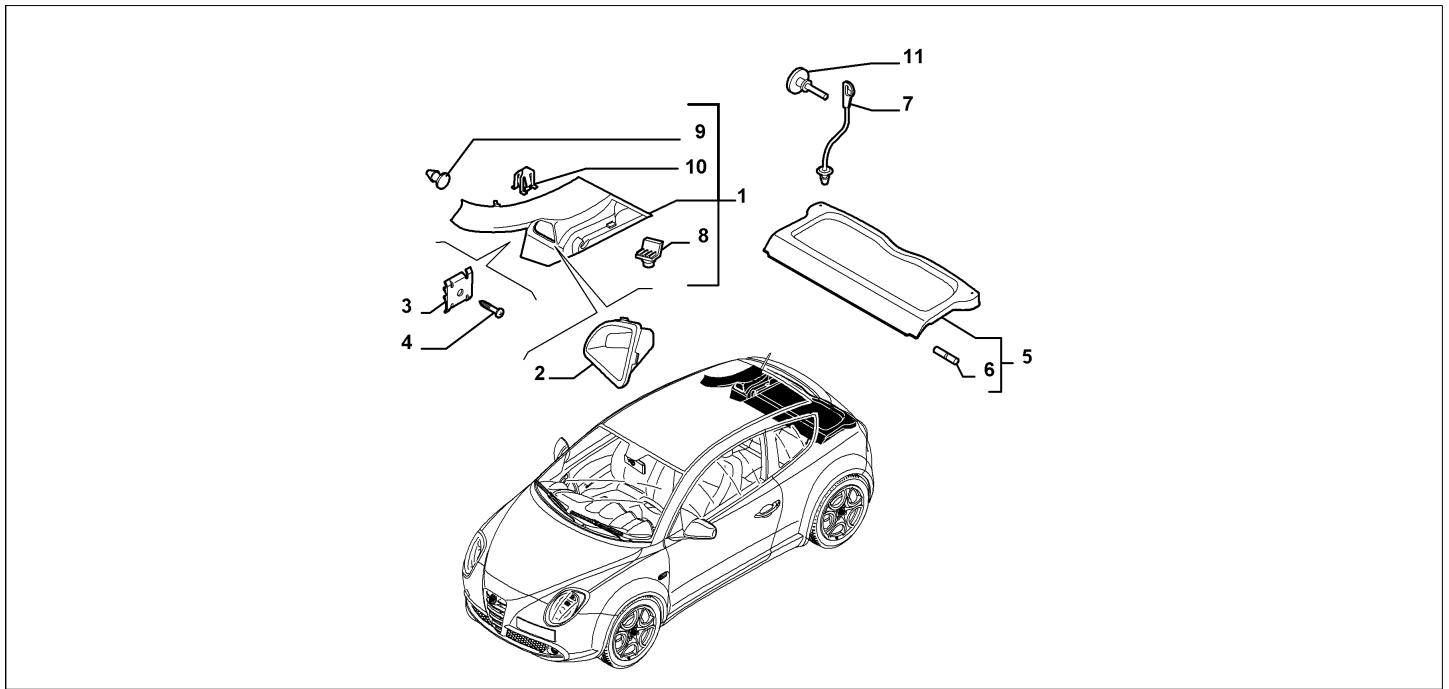
Catalogue	MITO 2008-2011	
Category	22.5 INTERIOR TRIM	
Var.	03	LL2 + !5J3
Rev.	00	



Part Num.	Description	Compatibility	Modif.	Qty	Notes	Col.	Reman.
1	156083271 COVERING, RH			01			
1	156083272 COVERING, LH			01			
2	156083287 COVERING, RH			01			
2	156083285 COVERING, LH			01			
3	50508480 BRACKET, RH			01			
3	50508481 BRACKET, LH			01			
4	11438592 RIVET			01			
5	51805173 CLIP			01			

Legend	
5J3	INTERIOR KIT
LL2	TRIM LEVEL:DISTINCTIVE

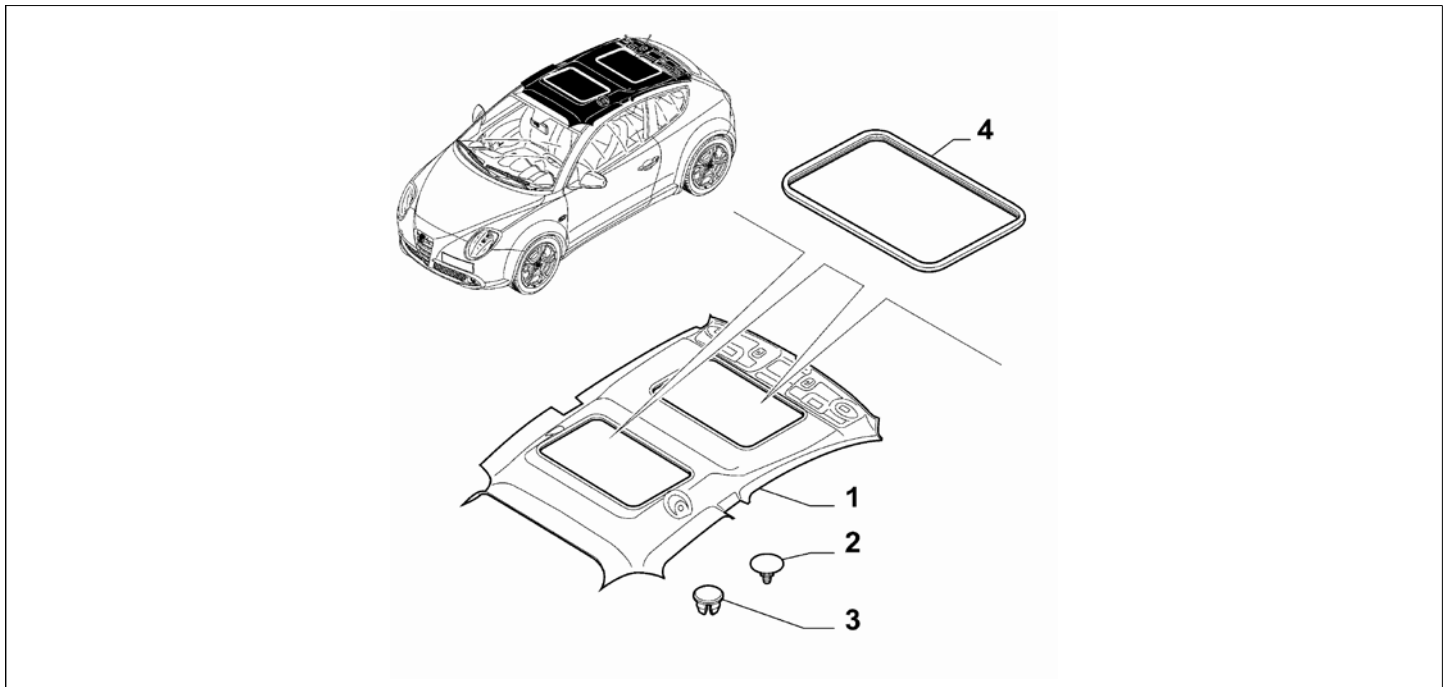
Catalogue	MITO 2008-2011	
Category	22.5 INTERIOR TRIM	
Var.	04	LL2 + !5J3
Rev.	00	



Part Num.	Description	Compatibility	Modif.	Qty	Notes	Col.	Reman.
1	156083462 COVERING, RH		C12926	01			
1	156088317 COVERING, RH		D12926	01			
1	156083465 COVERING, LH		C12926	01			
1	156088318 COVERING, LH		D12926	01			
2	735410489 ORNAMENT, RH			01			
2	735410490 ORNAMENT, LH			01			
3	7770156 BRACKET			01			
4	46555555 SCREW			01			
5	156085449 HAT BOARD			01			
6	71741339 SEAL GASKET			02			
7	71751449 ROD			02			
8	71751451 PAD			01			
9	71751452 BUTTON			01			
10	71751453 CLIP			03			
11	7670683 PIN			01			

Legend	
5J3	INTERIOR KIT
LL2	TRIM LEVEL:DISTINCTIVE
12926	NEW COVERINGS REAR RIGHT AND LEFT SIDE [DAT 15/09/2008]

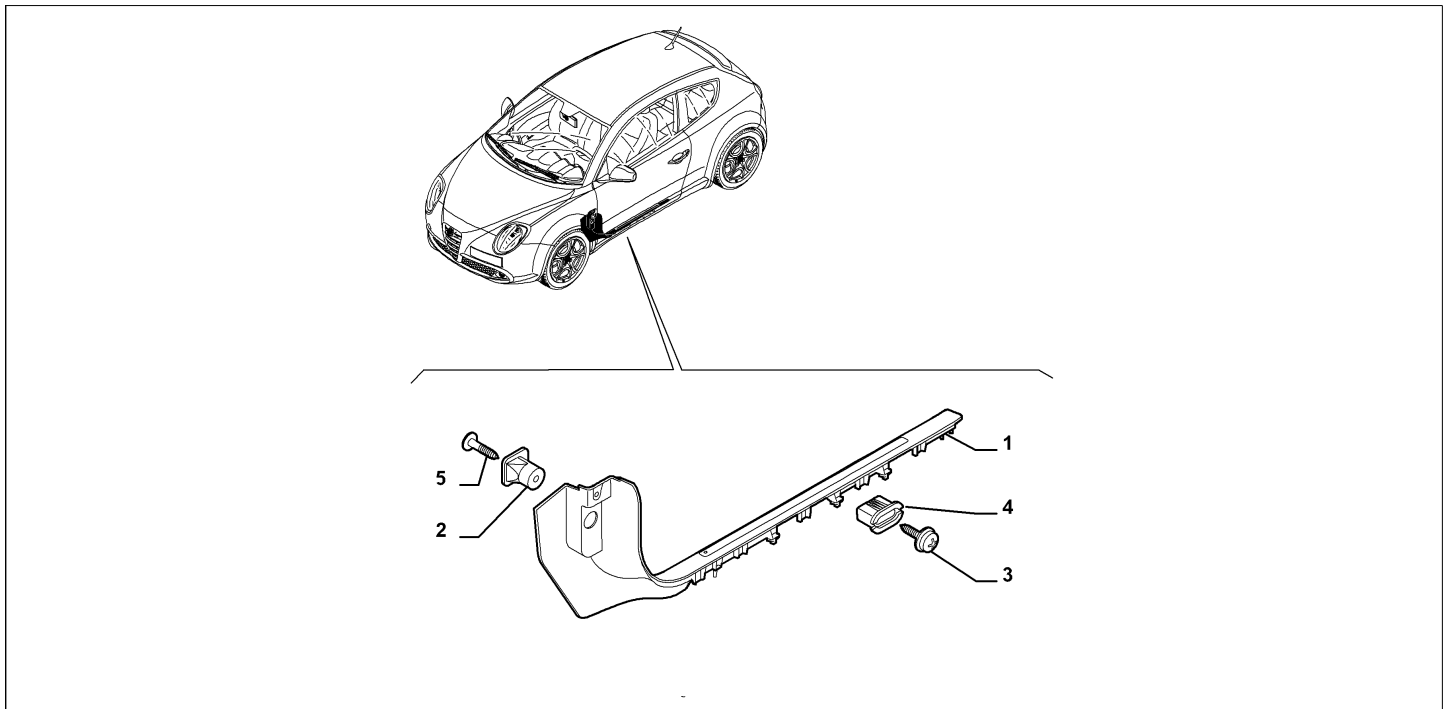
Catalogue	MITO 2008-2011	
Category	22.5 INTERIOR TRIM	
Var.	01	LL2 + 5J3
Rev.	00	



Part Num.	Description	Compatibility	Modif.	Qty	Notes	Col.	Reman.
1	156101792 COVERING	!213+!400		1			
1	156101793 COVERING	400		1			
1	156101794 COVERING	213+!400		1			
1	156087163 COVERING	!213+!400		1			
1	156087673 COVERING	400		1			
1	156087164 COVERING	213+!400		1			
2	156092055 BUTTON			2	BLACK		
2	156087273 BUTTON			2	SLATE GREY		
3	735459581 PLUG			01			
4	156095279 COVERING	400		1			

Legend	
213	ALARM SYSTEM
400	LONG OPENABLE ELECTRIC SUNROOF
5J3	INTERIOR KIT
LL2	TRIM LEVEL:DISTINCTIVE

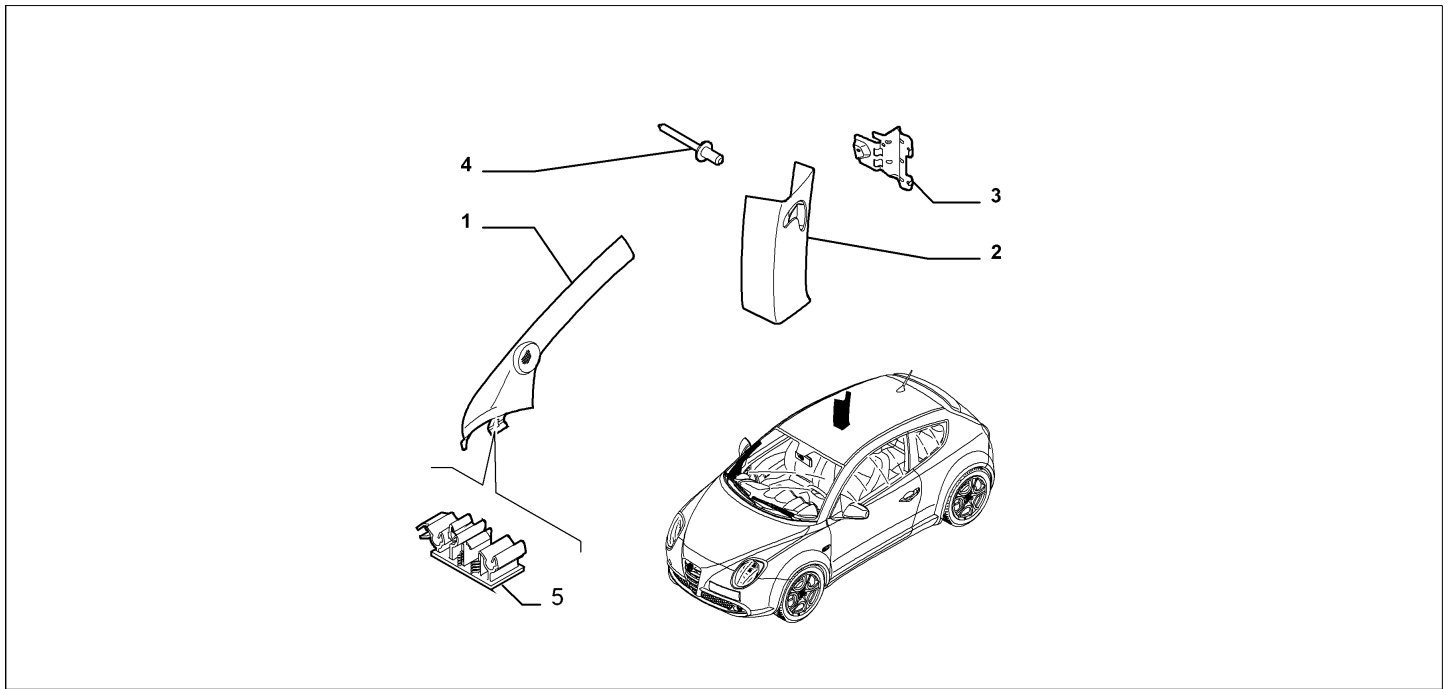
Catalogue	MITO 2008-2011	
Category	22.5 INTERIOR TRIM	
Var.	02	LL2 + 5J3
Rev.	00	



Part Num.	Description	Compatibility	Modif.	Qty	Notes	Col.	Reman.
1	156083074	DOORSILL MOULDING, RH	14GN+1988	1			
1	156093669	DOORSILL MOULDING, RH	14GN+988	1			
1	156094162	DOORSILL MOULDING, RH	4GN+1988	1			
1	156083076	DOORSILL MOULDING, LH	14GN+1988	1			
1	156093668	DOORSILL MOULDING, LH	14GN+988	1			
1	156094161	DOORSILL MOULDING, LH	4GN+1988	1			
2	51777226	PAD		01			
3	16083707	SCREW, 4X20		01			
4	7754387	PAD		01			
5	15691007	SCREW, 10X25		01			

Legend	
4GN	PLUS KIT
5J3	INTERIOR KIT
988	SPECIAL SERIES
LL2	TRIM LEVEL:DISTINCTIVE

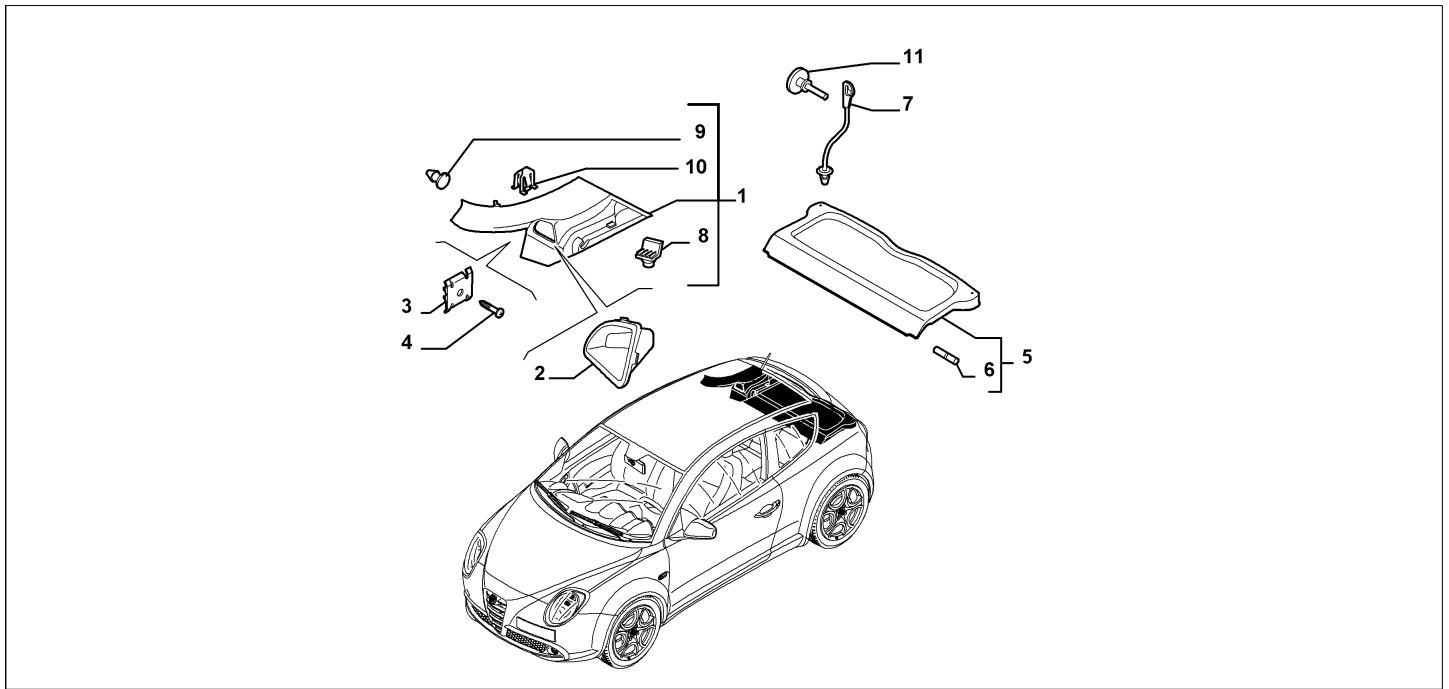
Catalogue	MITO 2008-2011	
Category	22.5 INTERIOR TRIM	
Var.	03	LL2 + 5J3
Rev.	00	



Part Num.	Description	Compatibility	Modif.	Qty	Notes	Col.	Reman.
1	156092025 COVERING, RH	5J3		1	BLACK		
1	156092024 COVERING, LH	5J3		1	BLACK		
2	156092030 COVERING, RH	5J3		1	BLACK		
2	156092031 COVERING, LH	5J3		1	BLACK		
3	50508480 BRACKET, RH			01			
3	50508481 BRACKET, LH			01			
4	11438592 RIVET			01			
5	51805173 CLIP			01			

Legend	
5J3	INTERIOR KIT
LL2	TRIM LEVEL:DISTINCTIVE

Catalogue	MITO 2008-2011	
Category	22.5 INTERIOR TRIM	
Var.	04	LL2 + 5J3
Rev.	00	



Part Num.	Description	Compatibility	Modif.	Qty	Notes	Col.	Reman.
1	156092028 COVERING, RH	5J3		1			
1	156092026 COVERING, LH	5J3		1			
2	735410489 ORNAMENT, RH			01			
2	735410490 ORNAMENT, LH			01			
3	7770156 BRACKET			01			
4	46555555 SCREW			01			
5	156085449 HAT BOARD			01			
6	71741339 SEAL GASKET			02			
7	71751449 ROD			02			
8	71751451 PAD			01			
9	71751452 BUTTON			01			
10	71751453 CLIP			03			
11	7670683 PIN			01			

Legend	
5J3	INTERIOR KIT
LL2	TRIM LEVEL:DISTINCTIVE