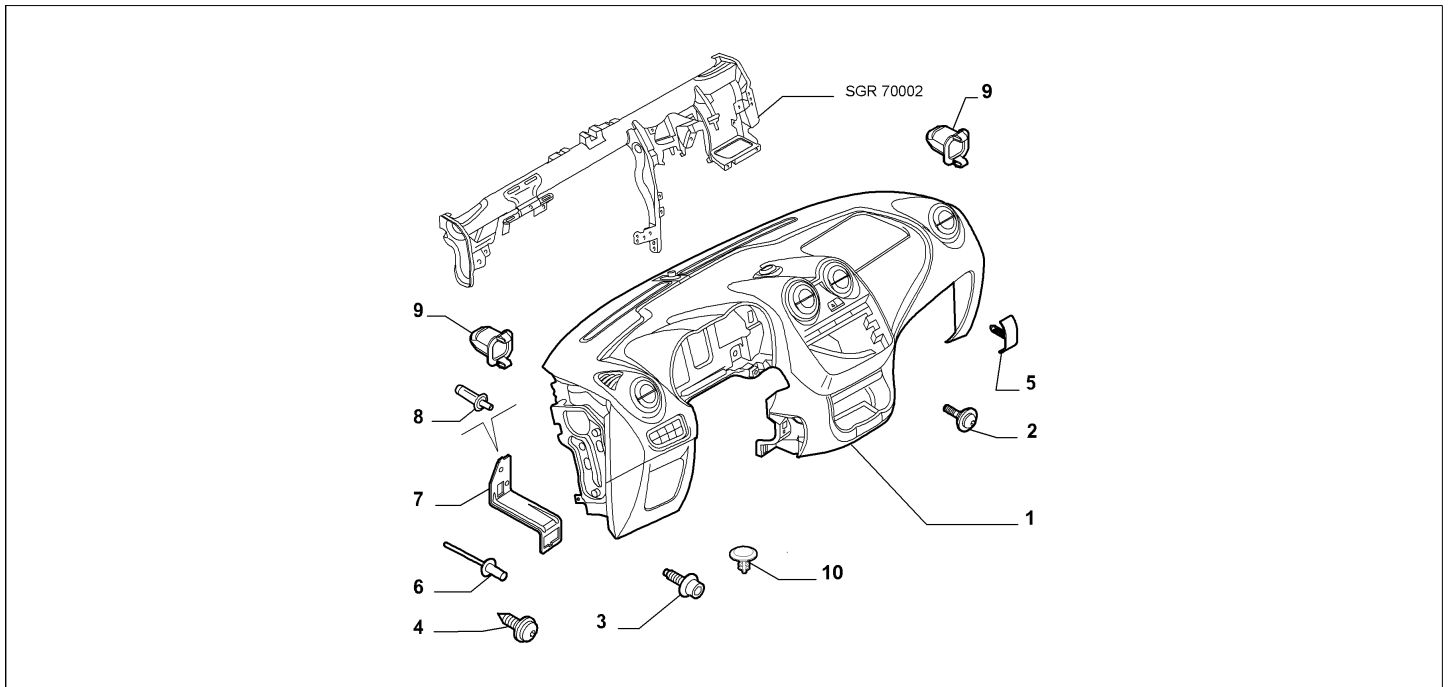


Catalogue	MITO 2008-2011	
Category	22.1 INSTRUMENT PANEL	
Var.	01	LHD
Rev.	00	

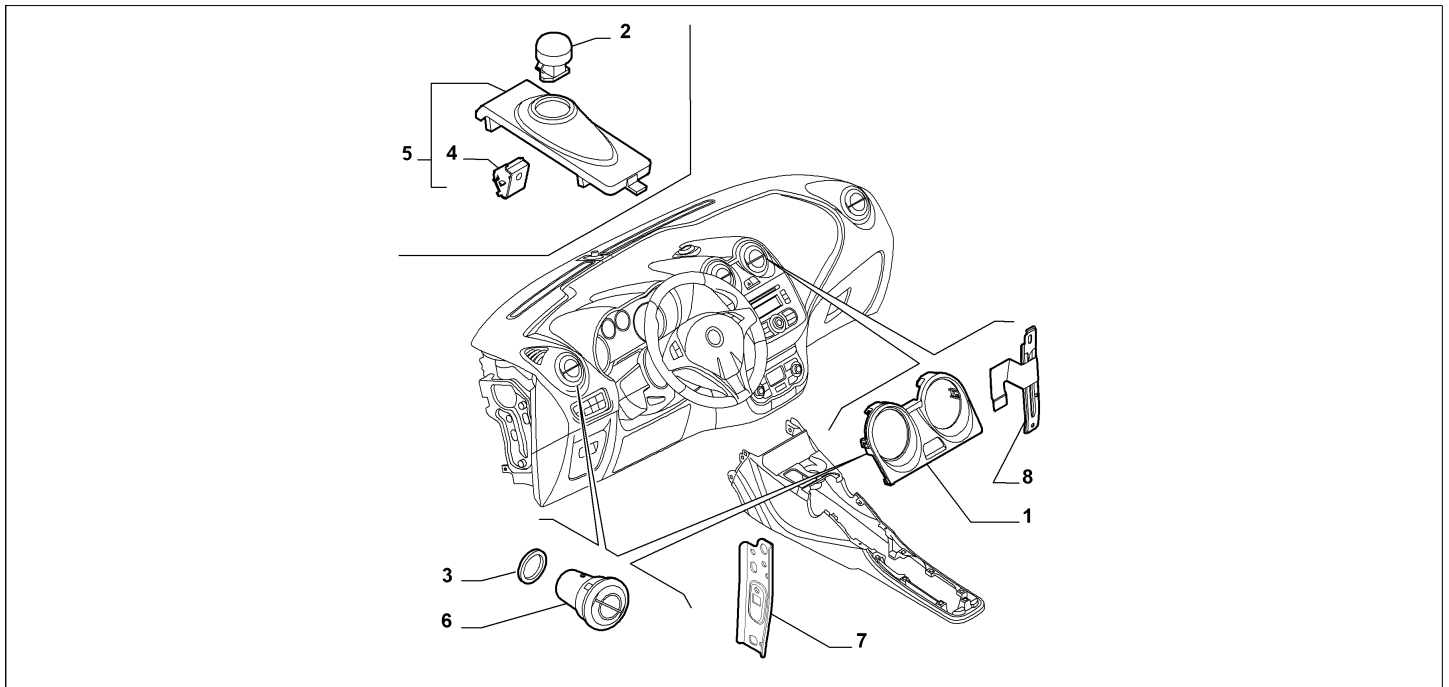


Part Num.	Description	Compatibility	Modif.	Qty	Notes	Col.	Reman.
1	156087473 INSTRUMENT PANEL	LL2+I54K+I68R		1		PLALM-414	
1	156085699 INSTRUMENT PANEL	LL2+I54K+I68R		1		PLALM-106	
1	156085661 INSTRUMENT PANEL	LL2+I54K+I68R		1		PLALM-808	
1	156087448 INSTRUMENT PANEL	LL0+I54K+I68R		1		PLALM-808	
1	156085648 INSTRUMENT PANEL	LL0+I54K+I68R		1		PLALM-105	
1	156087479 INSTRUMENT PANEL	LL2+54K	C14402	1		PLALM-414	
1	156097978 INSTRUMENT PANEL	LL2+68R	D14402	1		PLALM-414	
1	156085710 INSTRUMENT PANEL	LL2+54K	C14402	1		PLALM-106	
1	156097973 INSTRUMENT PANEL	LL2+68R	D14402	1		PLALM-106	
1	156085660 INSTRUMENT PANEL	LL2+54K	C14402	1		PLALM-808	
1	156097977 INSTRUMENT PANEL	LL2+68R	D14402	1		PLALM-808	
1	156087484 INSTRUMENT PANEL	LL0+54K	C14402	1		PLALM-808	
1	156097975 INSTRUMENT PANEL	LL0+68R	D14402	1		PLALM-808	
1	156085653 INSTRUMENT PANEL	LL0+54K	C14402	1		PLALM-105	
1	156097976 INSTRUMENT PANEL	LL0+68R	D14402	1		PLALM-105	
2	51866681 SCREW			11			
3	46755828 SCREW, M6X22			02			
4	46558583 SCREW			02			
5	735290437 BUTTON			02			
6	14644990 RIVET, 6,4X12,8			09			
7	50510442 BRACKET			01			
8	14261691 RIVET, 6,4X8,5			01			
9	50517025 BOOT			02			
10	735493588 BUTTON			01			

Legend	
54K	PROVISION FOR PDA
68R	PDA SETUP 2
LHD	STEERING:LEFT
LL0	TRIM LEVEL:PROGRESSION

LL2	TRIM LEVEL:DISTINCTIVE
14402	ADOPTION OF A NEW INSTRUMENT PANEL DUE TO THE ADDITION OF TOMTOM OPT [DAT 24/09/2010]
PLALM-105	RED DASHBOARD
PLALM-106	RED DASHBOARD
PLALM-414	BLUE DASHBOARD
PLALM-808	BLACK DASHBOARD

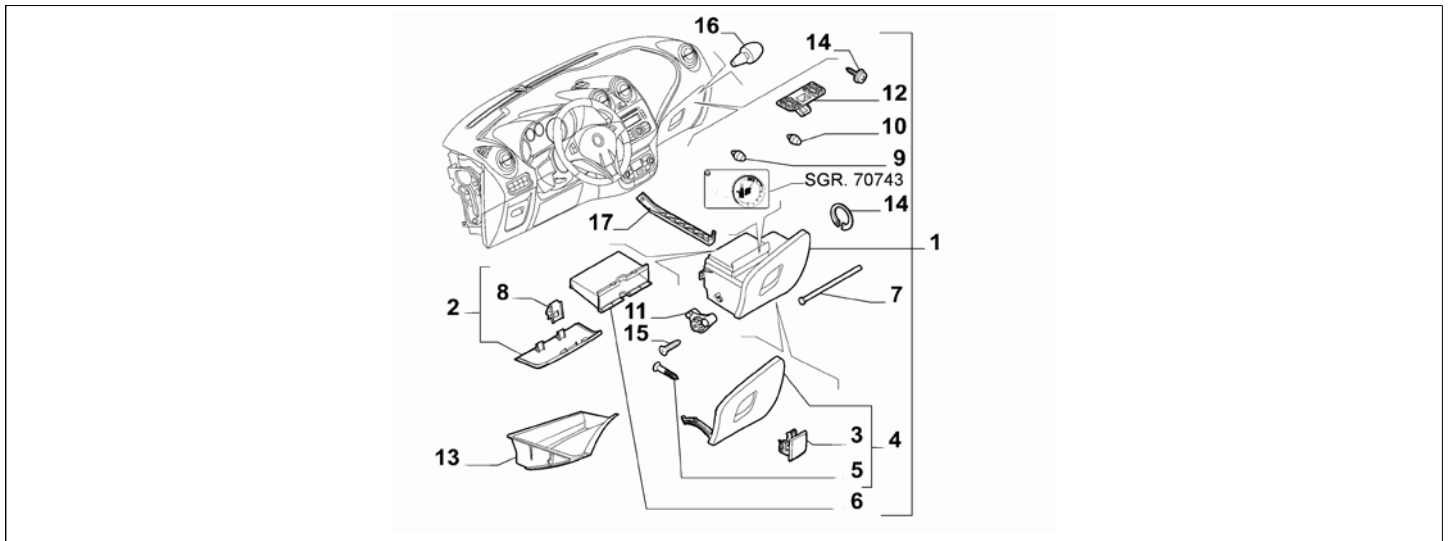
Catalogue	MITO 2008-2011	
Category	22.1 INSTRUMENT PANEL	
Var.	02	LHD
Rev.	00	



Part Num.	Description	Compatibility	Modif.	Qty	Notes	Col.	Reman.
1	156087338 ORNAMENT		C14804	1			
1	156097743 ORNAMENT		D14804	1			
2	735407581 PLUG	!140		1			
3	50511712 SEAL GASKET			04			
4	50511777 CLIP			02			
5	156083522 ORNAMENT			1			
6	156088245 DIFFUSER			04			
7	51849051 BRACKET			1			
8	51780321 BRACKET		C13782	1			
8	51886484 BRACKET		D13782	1			

Legend	
140	CLIMATE CONTROL 2
LHD	STEERING:LEFT
13782	NEW TUNNEL CONNECTION BRACKET [DAT 15/07/2009]
14804	ADOPTION OF MATT PAINTING ON PLASTIC ITEMS [DAT 15/10/2010]

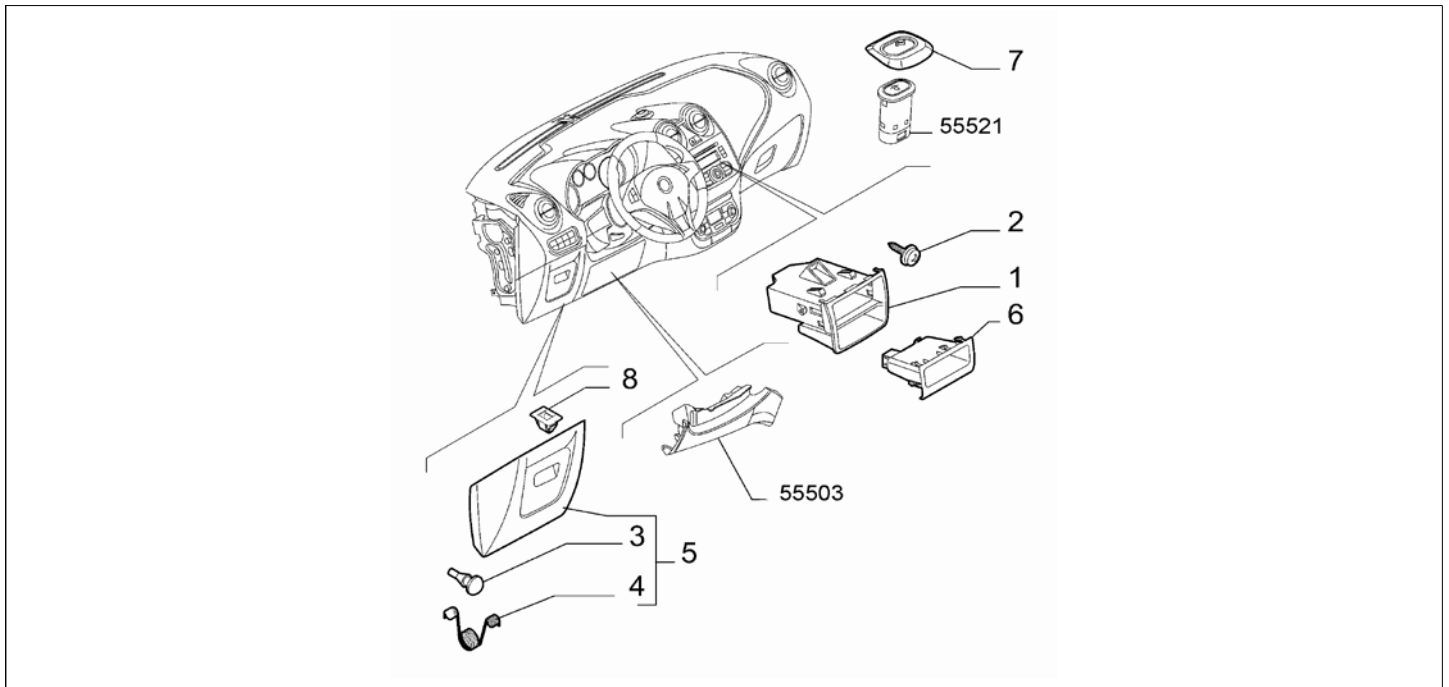
Catalogue	MITO 2008-2011	
Category	22.1 INSTRUMENT PANEL	
Var.	03	LHD
Rev.	00	



Part Num.	Description	Compatibility	Modif.	Qty	Notes	Col.	Reman.
1	156083587	DRAWER	C14804	01			
1	156097746	DRAWER	D14804	01			
2	156083526	PLUG		01			
3	156087337	LOCK	C14804	01			
3	156097748	LOCK	D14804	01			
4	156083595	LID	C14804	01			
4	156097747	LID	D14804	01			
5	16083607	SCREW		03			
6	156083594	DRAWER		01			
7	50511734	PIN		01			
8	60677995	CLIP		03			
9	50514986	BUMPER		02			
10	735416854	PAD		02			
11	50516233	POSITIONING DEVICE		01			
12	50513706	STRIKER PLATE		01			
13	156083593	GLOVE COMPARTMENT		01			
14	11087676	LOCKRING		01			
15	15783301	SCREW		01			
16	50521967	PAD		1			
17	50518743	REINFORCEMENT		1			

Legend	
LHD	STEERING:LEFT
14804	ADOPTION OF MATT PAINTING ON PLASTIC ITEMS [DAT 15/10/2010]

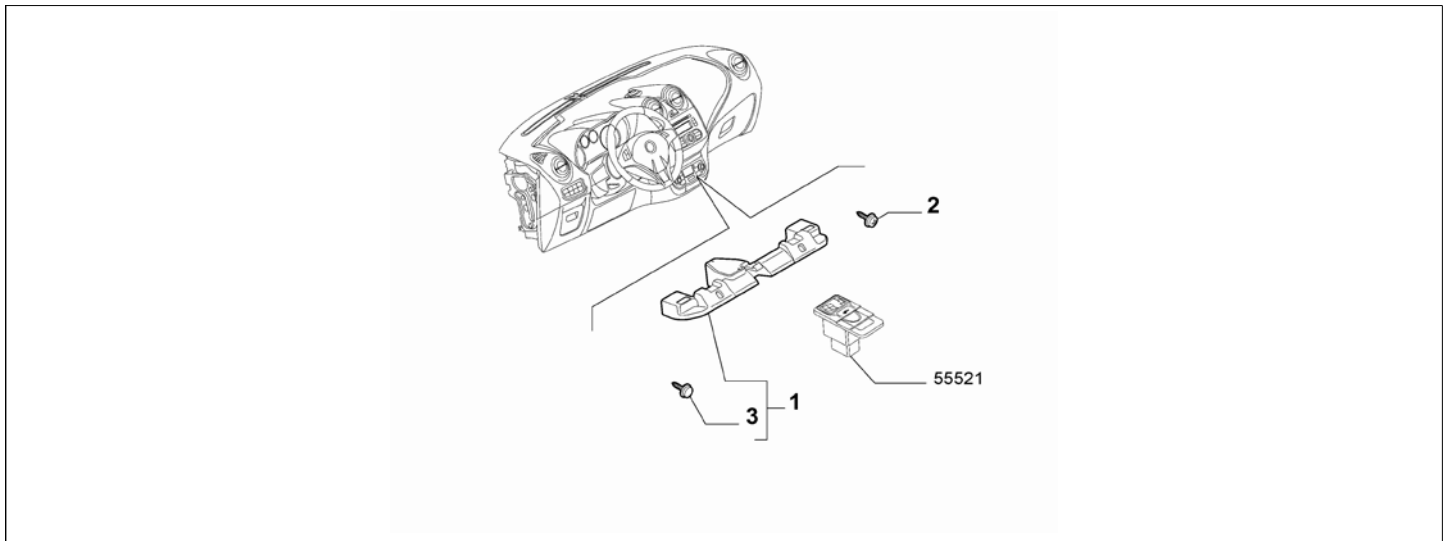
Catalogue	MITO 2008-2011	
Category	22.1 INSTRUMENT PANEL	
Var.	04	LHD
Rev.	00	



Part Num.	Description	Compatibility	Modif.	Qty	Notes	Col.	Reman.
1	156087340 ORNAMENT	I41A+I4CU+I506+I5VZ+I717	C14804	1			
1	156099975 ORNAMENT	I41A+I4CU+I506+I5VZ+I717	D14804	1			
2	46558583 SCREW			03			
3	82412405 BUMPER			02			
4	50512624 SPRING			01			
5	156083538 DRAWER			01			
6	156087336 ORNAMENT	I41A+I4CU+I506+I5VZ+I717	C14804	1			
6	156097749 ORNAMENT	I41A+I4CU+I506+I5VZ+I717	D14804	1			
7	156096527 ORNAMENT	54K, 68R		01		PLALM-105	
7	156096527 ORNAMENT	54K, 68R		01		PLALM-106	
7	156096527 ORNAMENT	54K, 68R		01		PLALM-414	
7	156096527 ORNAMENT	54K, 68R		01		PLALM-808	
8	60507674 PAD			2			

Legend	
41A	CD RADIO WITH MP3 PLAYER
4CU	MAP RADIO NAVIGATOR
506	RADIO W. SPECIFIC FREQUENCIES
54K	PROVISION FOR PDA
5VZ	MAP RADIO NAVIGATOR WITH TMC PRO
68R	PDA SETUP 2
717	RADIO EXTRA SERIES 2
LHD	STEERING:LEFT
14804	ADOPTION OF MATT PAINTING ON PLASTIC ITEMS [DAT 15/10/2010]
PLALM-105	RED DASHBOARD
PLALM-106	RED DASHBOARD
PLALM-414	BLUE DASHBOARD
PLALM-808	BLACK DASHBOARD

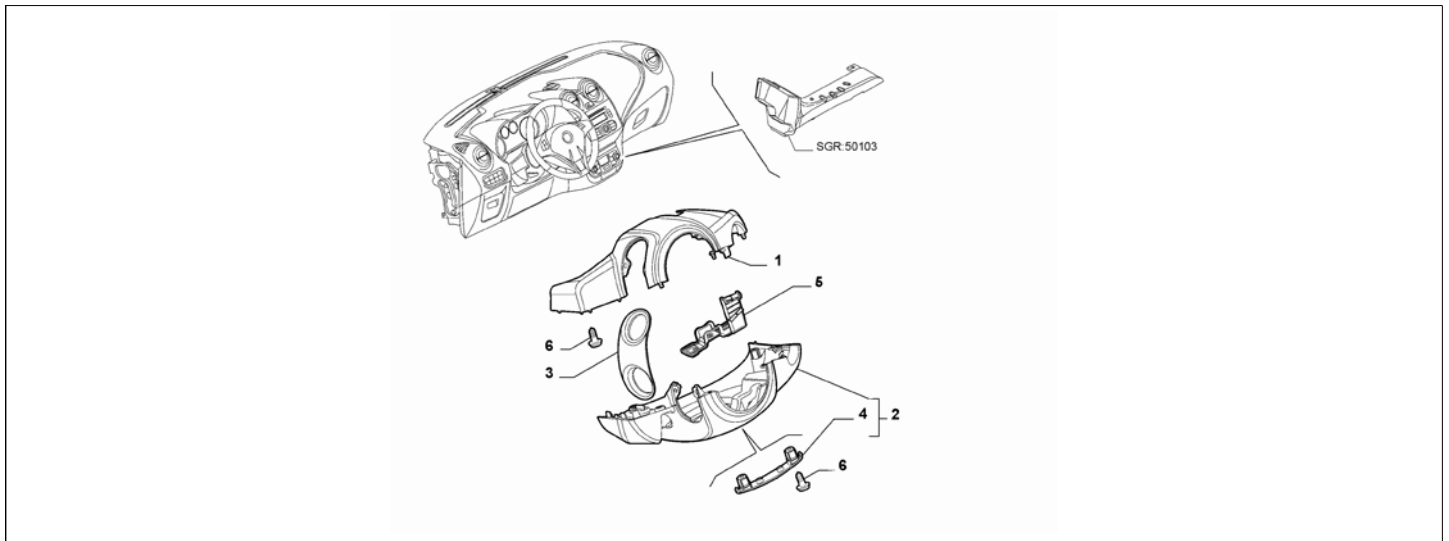
Catalogue	MITO 2008-2011	
Category	22.1 INSTRUMENT PANEL	
Var.	05	LHD
Rev.	00	



Part Num.	Description	Compatibility	Modif.	Qty	Notes	Col.	Reman.
1	50511705 BRACKET			01			
2	46826206 SCREW			02			
3	46558583 SCREW			01			

Legend	
LHD	STEERING:LEFT

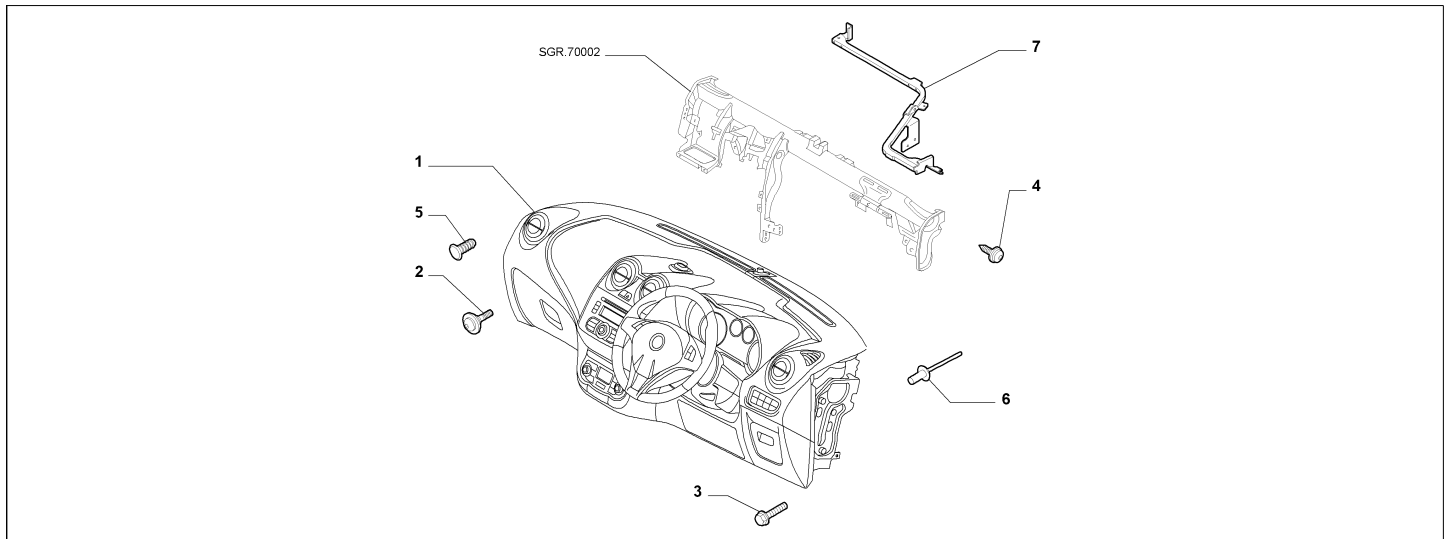
Catalogue	MITO 2008-2011	
Category	22.1 INSTRUMENT PANEL	
Var.	06	LHD
Rev.	00	



Part Num.	Description	Compatibility	Modif.	Qty	Notes	Col.	Reman.
1	156083392 PROTECTION, SUP			01			
2	156091313 PROTECTION, INF			01			
3	735410521 ORNAMENT	416		01			
3	735410520 PROTECTION	416		01			
4	735410488 INSERT			01			
5	50518557 PROTECTION		C13920	01			
5	50518634 BRACKET		D13920	01			
6	46544662 SCREW			08			

Legend	
416	CRUISE CONTROL
LHD	STEERING:LEFT
13920	New lower st. column guard fastening bracket for future adoption of plastic switch. [VET 78437]

Catalogue	MITO 2008-2011	
Category	22.1 INSTRUMENT PANEL	
Var.	01	RHD
Rev.	00	

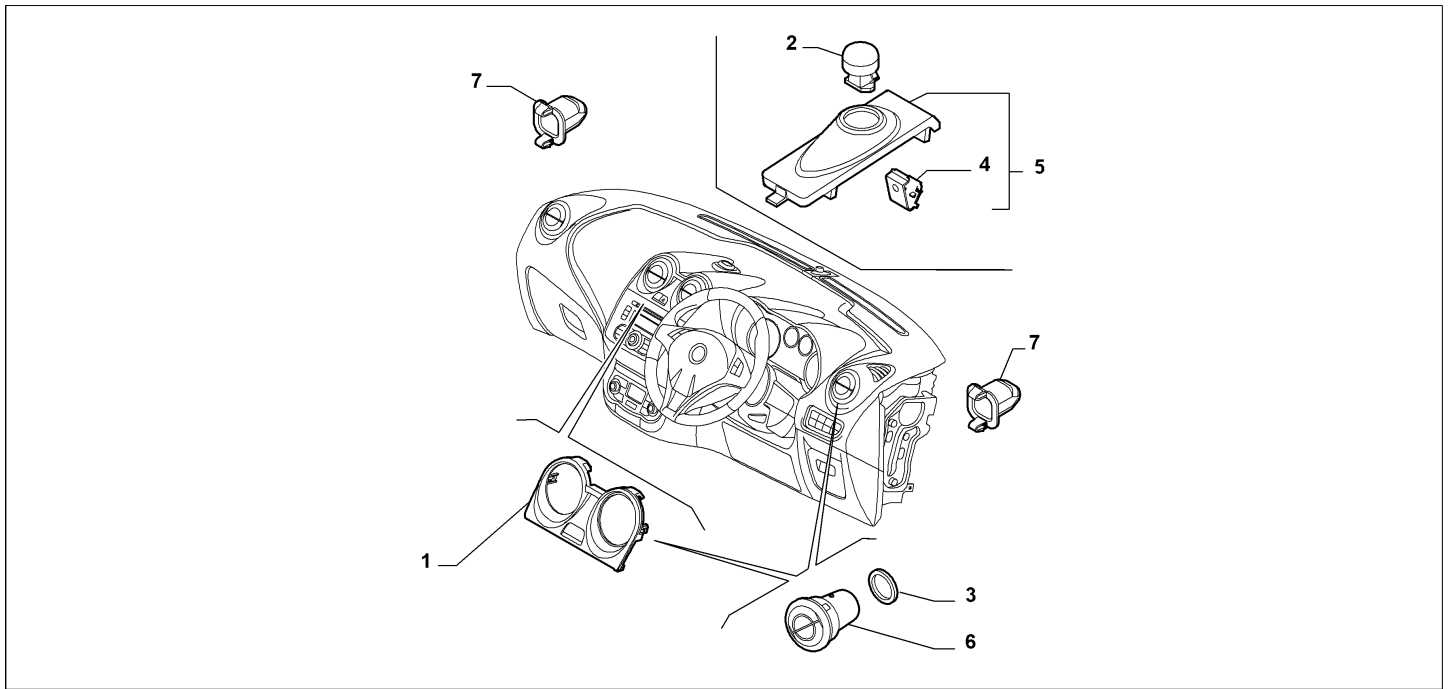


Part Num.	Description	Compatibility	Modif.	Qty	Notes	Col.	Reman.
1	156087478	INSTRUMENT PANEL	LL2+I54K+I68R		1		PLALM-414
1	156085700	INSTRUMENT PANEL	LL2+I54K+I68R		1		PLALM-106
1	156085658	INSTRUMENT PANEL	LL2+I54K+I68R		1		PLALM-808
1	156087455	INSTRUMENT PANEL	LL0+I54K+I68R		1		PLALM-808
1	156085651	INSTRUMENT PANEL	LL0+I54K+I68R		1		PLALM-105
1	156087481	INSTRUMENT PANEL	LL2+54K	C14402	1		PLALM-414
1	156097982	INSTRUMENT PANEL	LL2+68R	D14402	1		PLALM-414
1	156085711	INSTRUMENT PANEL	LL2+54K	C14402	1		PLALM-106
1	156097974	INSTRUMENT PANEL	LL2+68R	D14402	1		PLALM-106
1	156085656	INSTRUMENT PANEL	LL2+54K	C14402	1		PLALM-808
1	156097981	INSTRUMENT PANEL	LL2+68R	D14402	1		PLALM-808
1	156087456	INSTRUMENT PANEL	LL0+54K	C14402	1		PLALM-808
1	156097979	INSTRUMENT PANEL	LL0+68R	D14402	1		PLALM-808
1	156085649	INSTRUMENT PANEL	LL0+54K	C14402	1		PLALM-105
1	156097980	INSTRUMENT PANEL	LL0+68R	D14402	1		PLALM-105
2	51866681	SCREW			13		
3	46755828	SCREW, M6X22			02		
4	46558583	SCREW			02		
5	14591887	BUTTON			02		
6	14644990	RIVET, 6,4X12,8			09		
7	51763882	REINFORCEMENT			01		

Legend	
54K	PROVISION FOR PDA
68R	PDA SETUP 2
RHD	STEERING:RIGHT
LL0	TRIM LEVEL:PROGRESSION
LL2	TRIM LEVEL:DISTINCTIVE
14402	ADOPTION OF A NEW INSTRUMENT PANEL DUE TO THE ADDITION OF TOMTOM OPT [DAT 24/09/2010]
PLALM-105	RED DASHBOARD
PLALM-106	RED DASHBOARD
PLALM-414	BLUE DASHBOARD
PLALM-808	BLACK DASHBOARD



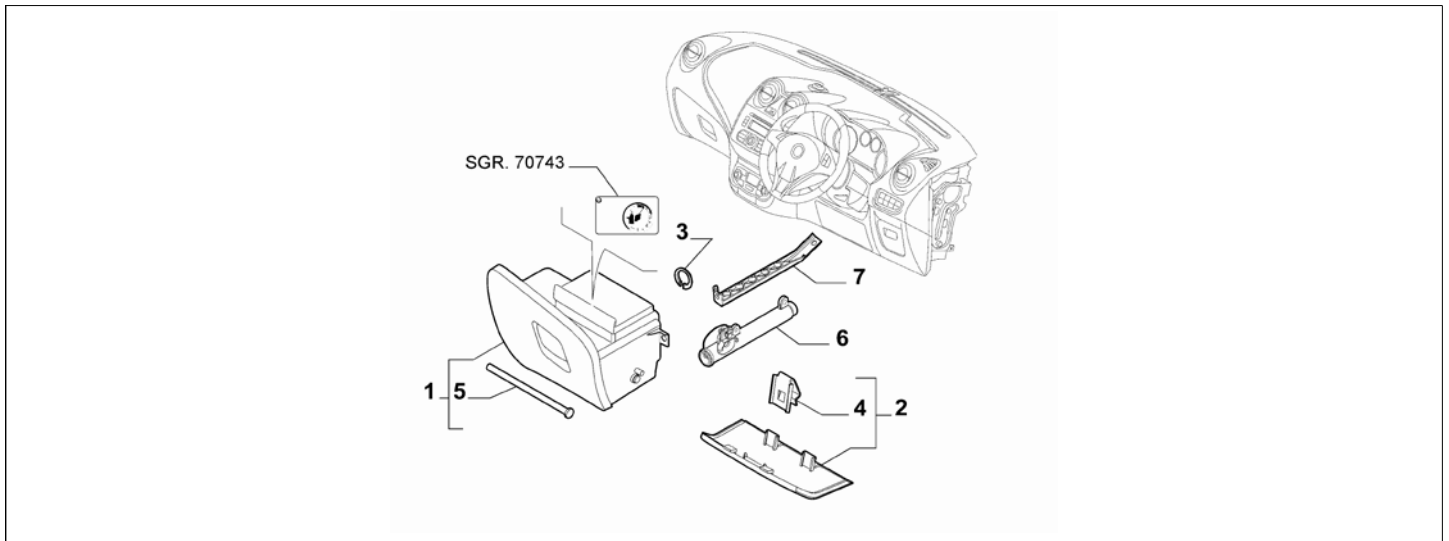
Catalogue	MITO 2008-2011	
Category	22.1 INSTRUMENT PANEL	
Var.	02	RHD
Rev.	00	



Part Num.	Description	Compatibility	Modif.	Qty	Notes	Col.	Reman.
1	156087338 ORNAMENT		C14804	01			
1	156097743 ORNAMENT		D14804	01			
2	735407581 PLUG	!140		01			
3	50511712 SEAL GASKET			04			
4	50511777 CLIP			02			
5	156083522 ORNAMENT			01			
6	156088245 DIFFUSER			04			
7	50517025 BOOT			02			

Legend	
140	CLIMATE CONTROL 2
RHD	STEERING:RIGHT
14804	ADOPTION OF MATT PAINTING ON PLASTIC ITEMS [DAT 15/10/2010]

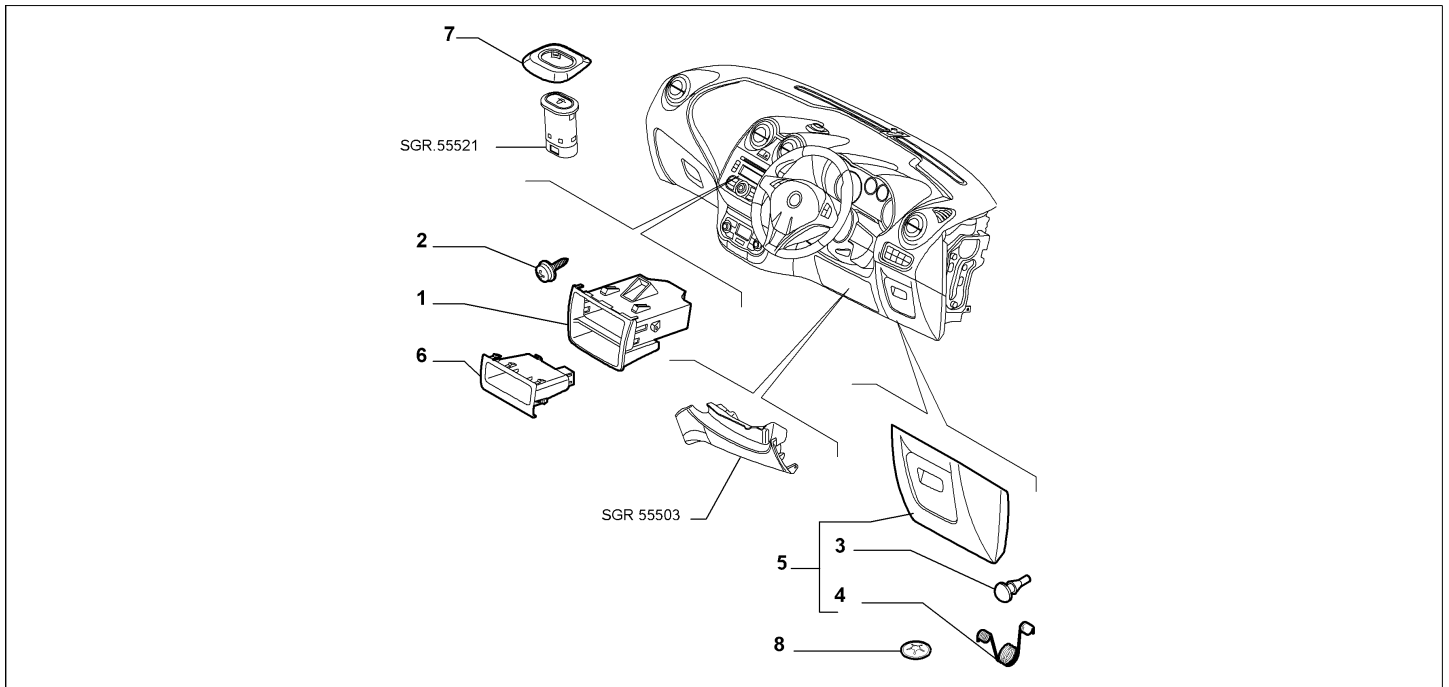
Catalogue	MITO 2008-2011	
Category	22.1 INSTRUMENT PANEL	
Var.	03	RHD
Rev.	00	



Part Num.	Description	Compatibility	Modif.	Qty	Notes	Col.	Reman.
1	156087126 DRAWER		C14804	01			
1	156097755 DRAWER		D14804	01			
2	156083526 PLUG			01			
3	11087676 LOCKRING			01			
4	60677995 CLIP			01			
5	50511734 PIN			01			
6	50517146 POSITIONING DEVICE			01			
7	50518743 REINFORCEMENT			1			

Legend	
RHD	STEERING:RIGHT
14804	ADOPTION OF MATT PAINTING ON PLASTIC ITEMS [DAT 15/10/2010]

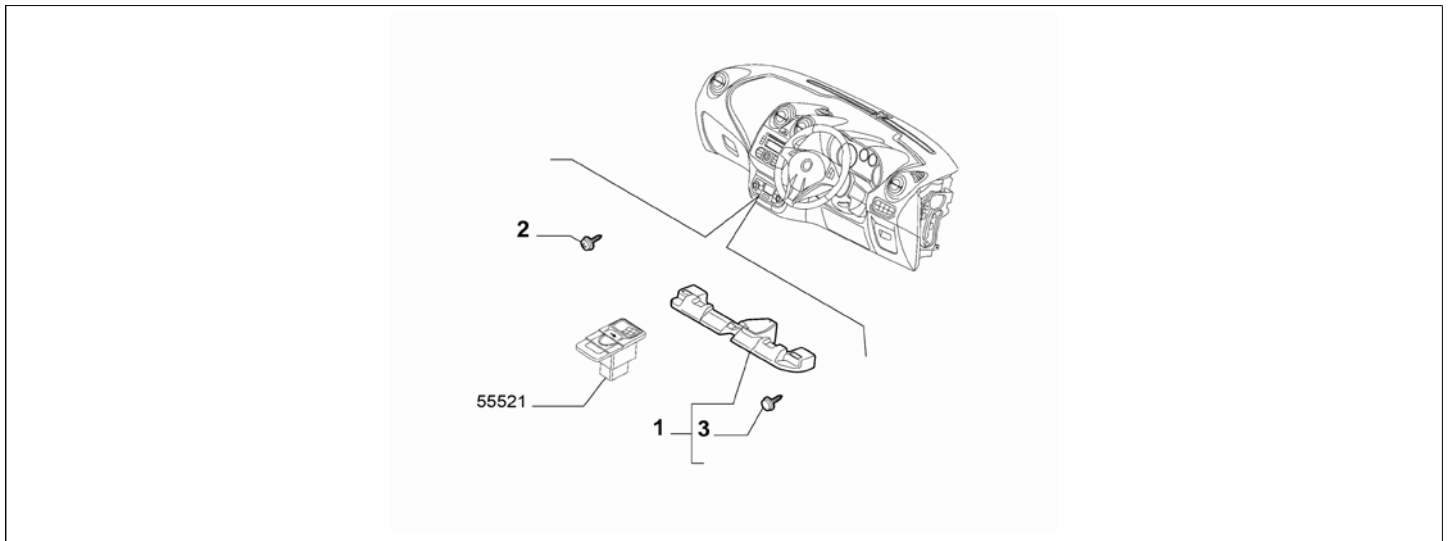
Catalogue	MITO 2008-2011	
Category	22.1 INSTRUMENT PANEL	
Var.	04	RHD
Rev.	00	



Part Num.	Description	Compatibility	Modif.	Qty	Notes	Col.	Reman.
1	156087340	ORNAMENT	I41A+I4CU+I506+I5VZ+I717	C14804	1		
1	156099975	ORNAMENT	I41A+I4CU+I506+I5VZ+I717	D14804	1		
2	46558583	SCREW			03		
3	50516446	BUMPER			02		
4	50513719	SPRING			01		
5	156087108	LID			01		
6	156087336	ORNAMENT	I41A+I4CU+I506+I5VZ+I717	C14804	1		
6	156097749	ORNAMENT	I41A+I4CU+I506+I5VZ+I717	D14804	1		
7	156096527	ORNAMENT	54K		01	PLALM-105	
7	156096527	ORNAMENT	54K		01	PLALM-106	
7	156096527	ORNAMENT	54K		01	PLALM-414	
7	156096527	ORNAMENT	54K		01	PLALM-808	

Legend	
41A	CD RADIO WITH MP3 PLAYER
4CU	MAP RADIO NAVIGATOR
506	RADIO W. SPECIFIC FREQUENCIES
54K	PROVISION FOR PDA
5VZ	MAP RADIO NAVIGATOR WITH TMC PRO
717	RADIO EXTRA SERIES 2
RHD	STEERING:RIGHT
14804	ADOPTION OF MATT PAINTING ON PLASTIC ITEMS [DAT 15/10/2010]
PLALM-105	RED DASHBOARD
PLALM-106	RED DASHBOARD
PLALM-414	BLUE DASHBOARD
PLALM-808	BLACK DASHBOARD

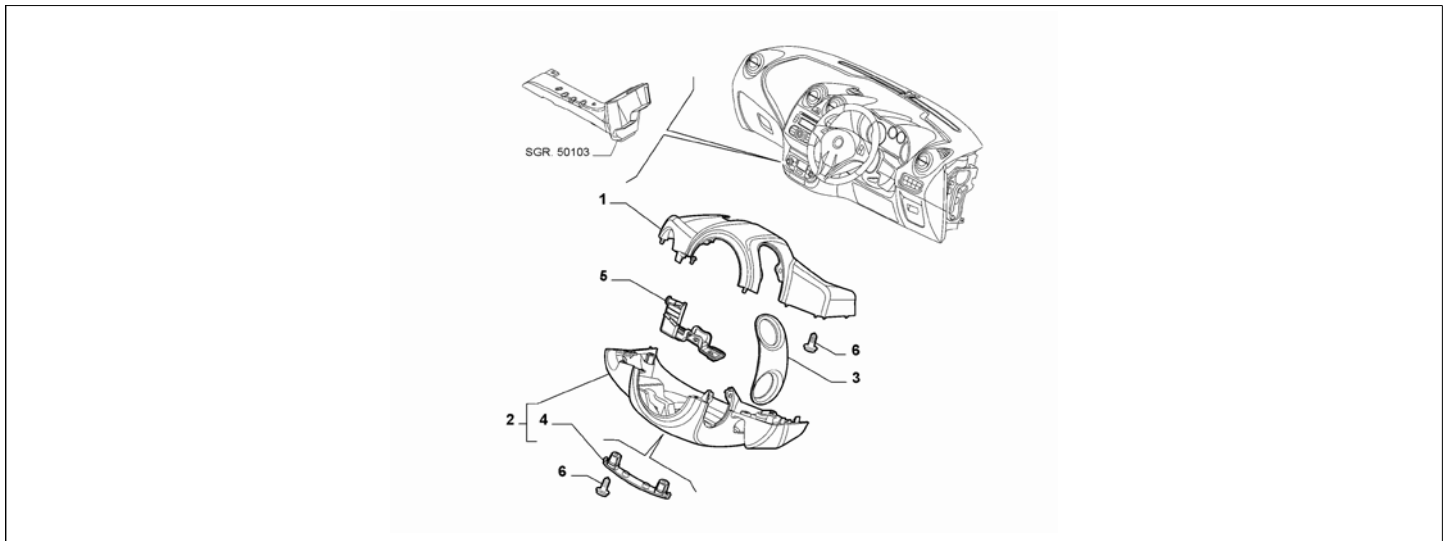
Catalogue	MITO 2008-2011	
Category	22.1 INSTRUMENT PANEL	
Var.	05	RHD
Rev.	00	



Part Num.	Description	Compatibility	Modif.	Qty	Notes	Col.	Reman.
1	50511705 BRACKET			01			
2	46826206 SCREW			02			
3	46558583 SCREW			01			

<b>Legend</b>	
RHD	STEERING:RIGHT

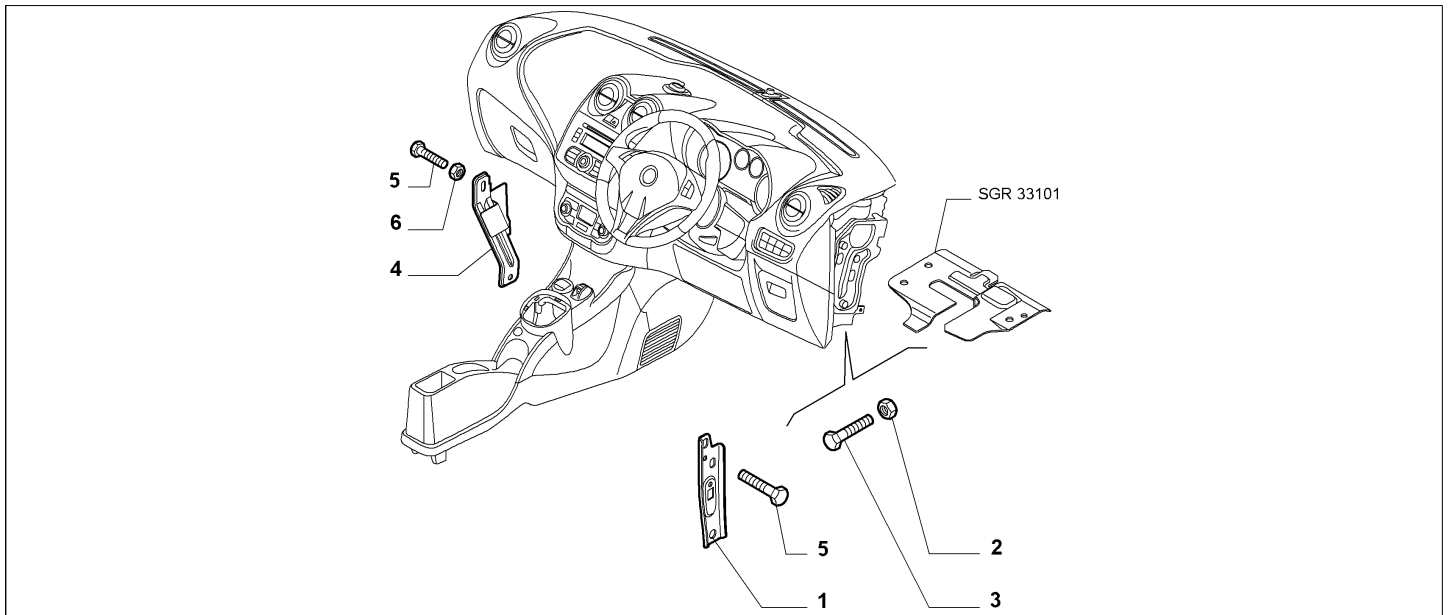
Catalogue	MITO 2008-2011	
Category	22.1 INSTRUMENT PANEL	
Var.	06	RHD
Rev.	00	



Part Num.	Description	Compatibility	Modif.	Qty	Notes	Col.	Reman.
1	156083391 PROTECTION, SUP			01			
2	156091313 PROTECTION, INF			01			
3	735410521 ORNAMENT	416		01			
3	735410520 PROTECTION	416		01			
4	735410488 INSERT			01			
5	50515272 PROTECTION		C13912	01			
5	50518557 PROTECTION		D13912, C13920	01			
5	50518634 BRACKET		D13920	01			
6	46544662 SCREW			08			

Legend	
416	CRUISE CONTROL
RHD	STEERING:RIGHT
13912	New steering pipe guard bracket with additional drilling for vehicles with DDTC [VET 74328]
13920	New lower st. column guard fastening bracket for future adoption of plastic switch. [VET 78437]

Catalogue	MITO 2008-2011	
Category	22.1 INSTRUMENT PANEL	
Var.	07	RHD
Rev.	00	



Part Num.	Description	Compatibility	Modif.	Qty	Notes	Col.	Reman.
1	55701243 BRACKET		C13782	01			
1	51861124 BRACKET		D13782	01			
2	14189071 BRACKET			01			
3	11568024 SCREW AND WASHER ASSY			01			
4	51886485 BRACKET			01			
5	811900172 SCREW, M8X16			03			
6	811900440 NUT, M8			01			

Legend	
RHD	STEERING:RIGHT
13782	NEW TUNNEL CONNECTION BRACKET [DAT 15/07/2009]