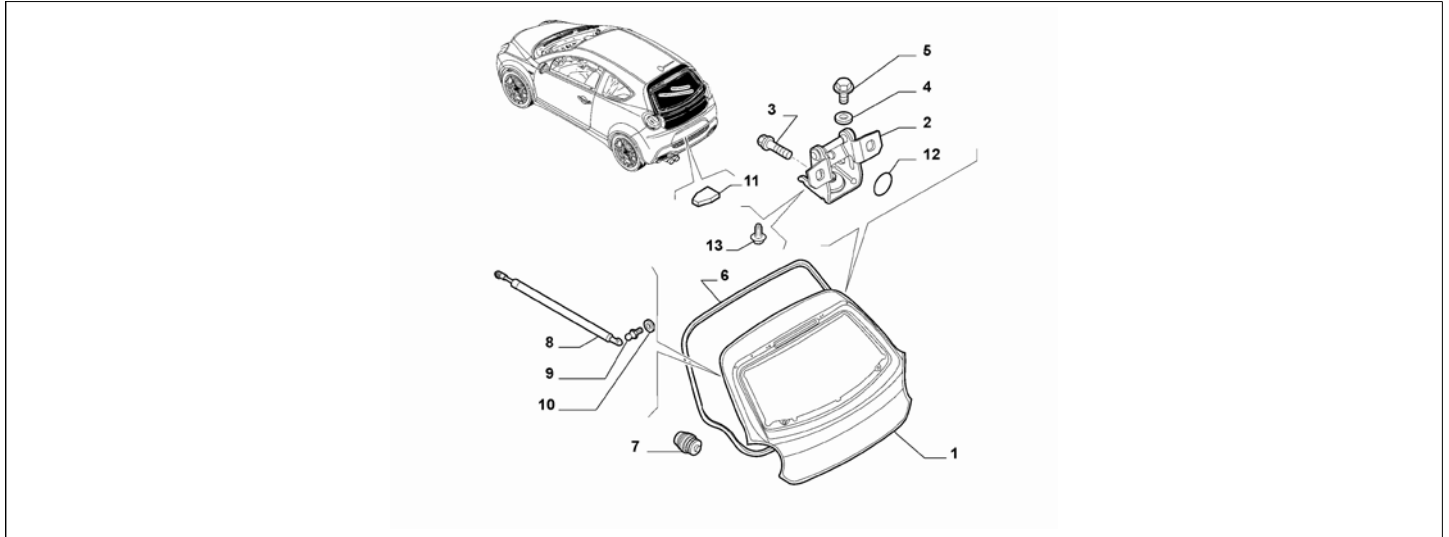


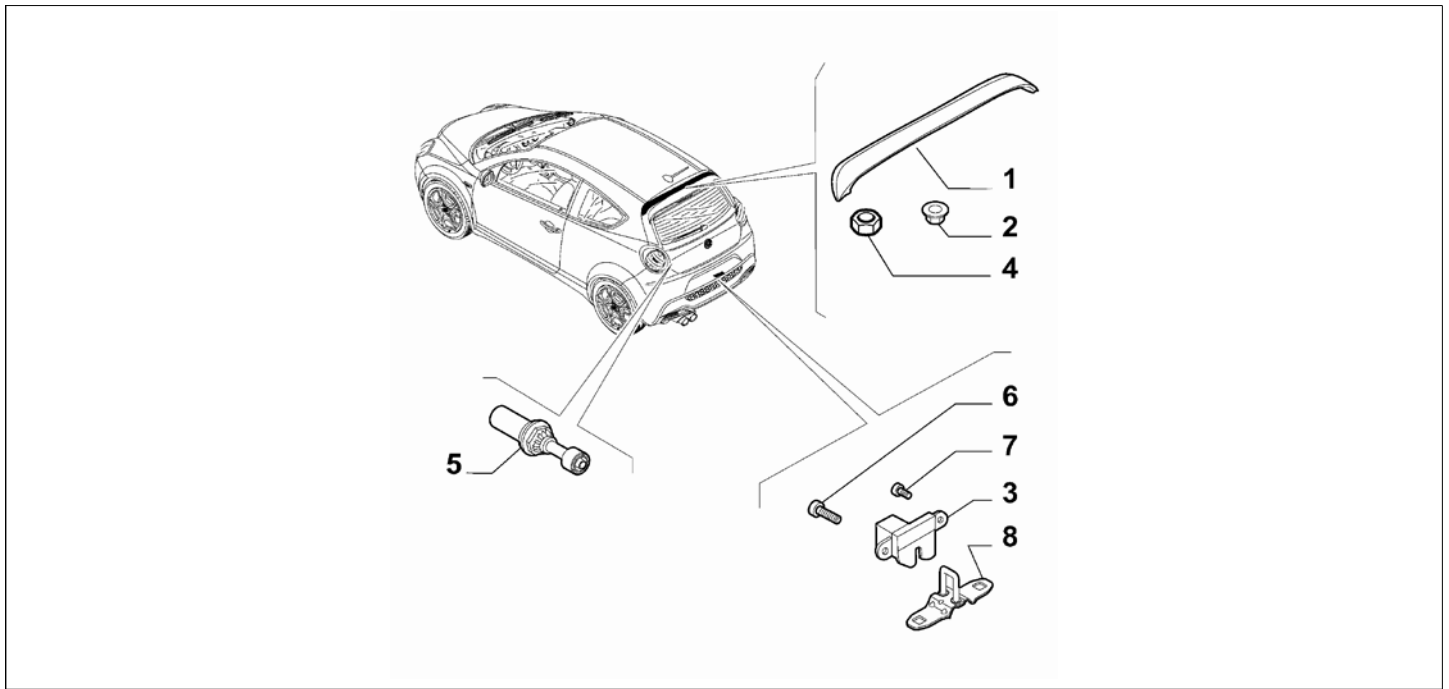
Catalogue	MITO 2008-2011	
Category	21.6 BACK DOOR	
Var.	01	
Rev.	00	



Part Num.	Description	Compatibility	Modif.	Qty	Notes	Col.	Reman.
1	50508704 DOOR	!923	C12995	01			
1	50512980 DOOR	923	C12995	01			
1	50516574 DOOR	!923	D12995	01			
1	50516576 DOOR	923	D12995	01			
2	52024838 HINGE			02			
3	55192179 SCREW, M6X16			04			
4	7602995 LOCK WASHER			02			
5	7770727 SCREW, M8X20			02			
6	50528840 SEAL GASKET			01			
7	52136574 PAD			02			
8	50515442 PROP			02			
9	51823863 PIN			02			
10	51816695 PLUG			02			
11	7755809 COVERING			02			
12	46462523 ADHESIV			02			
13	46824090 SCREW			2			

Legend	
923	SPOILER
12995	NEW HATCHBACK DOOR UPPER INTERNAL COVERING FOR VARIATION OF CHASSIS [DAT 15/09/2008, VET 0008977]

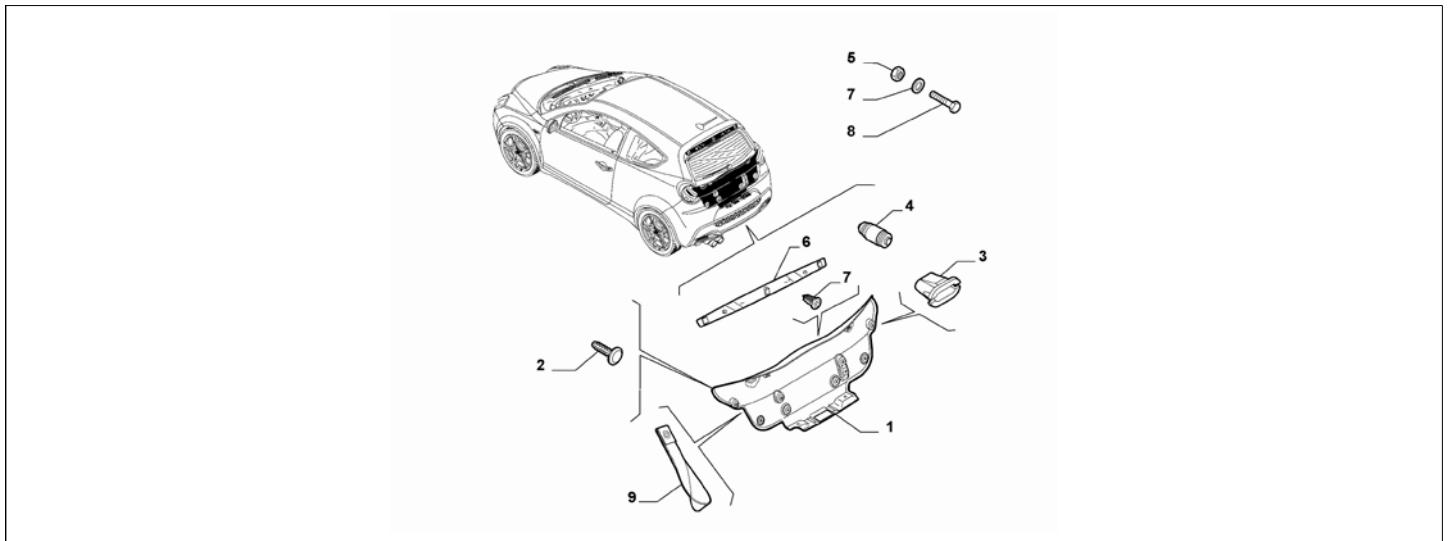
Catalogue	MITO 2008-2011	
Category	21.6 BACK DOOR	
Var.	02	
Rev.	00	



Part Num.	Description	Compatibility	Modif.	Qty	Notes	Col.	Reman.
1	156088763 SPOILER	923		01		COL-099	
2	14040611 NUT, M6	923		02			
3	50513866 LOCK			01			
4	14059114 NUT	923		02			
5	51813174 VESSEL			01			
6	46548355 SCREW			02			
7	11618424 SCREW AND WASHER ASSY, M6X20			02			
8	51812149 STRIKER PLATE			01			

Legend	
923	SPOILER
COL-099	PREPARED FOR PAINTING

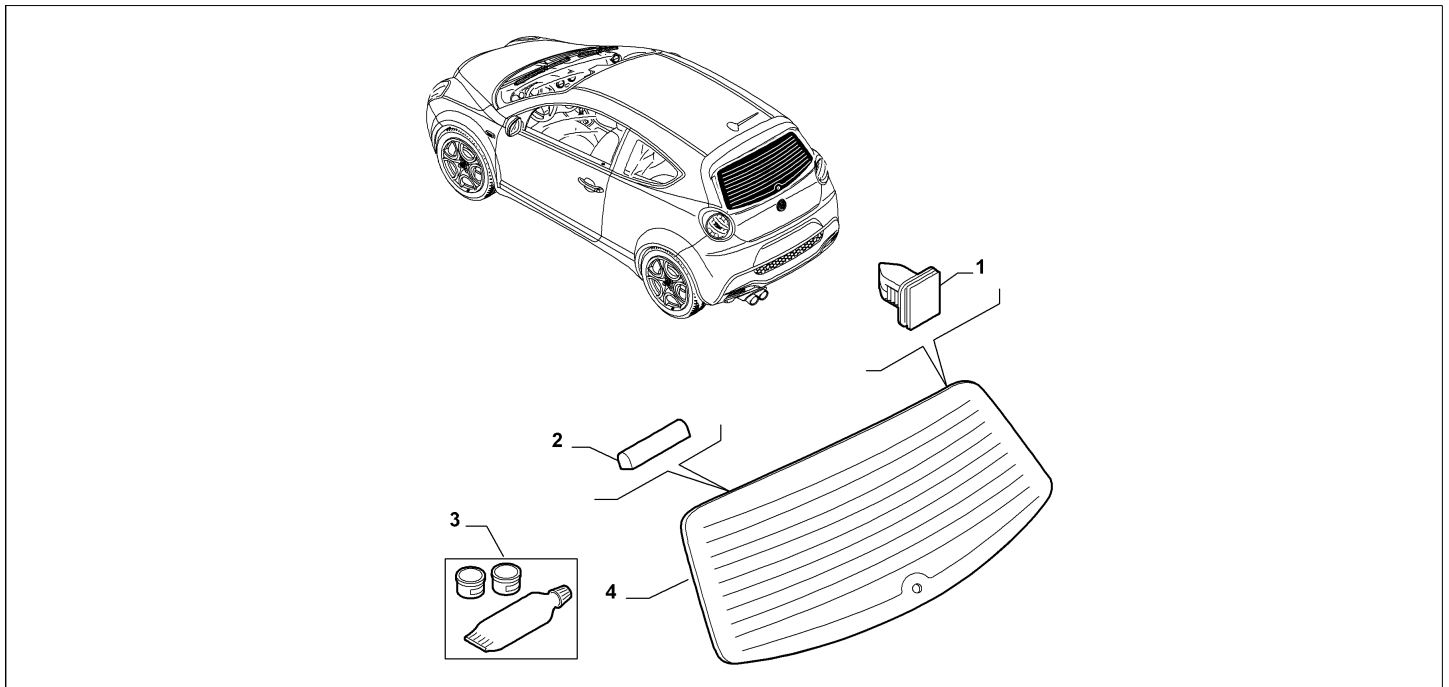
Catalogue	MITO 2008-2011	
Category	21.6 BACK DOOR	
Var.	03	
Rev.	00	



Part Num.	Description	Compatibility	Modif.	Qty	Notes	Col.	Reman.
1	156087992 COVERING, INF			01			
2	14506587 PLUG			01			
3	7754387 PAD			02			
4	50514636 PAD, 20X30			02			
5	14648290 NUT, M6			01			
6	156087787 COVERING, SUP		C12995	01			
6	156088807 COVERING, SUP		D12995	01			
7	735398155 BUTTON			10			
8	11568127 SCREW, M6X20			01			
9	156088792 HANDLE		C14124	01			
9	156094698 HANDLE		D14124	01			

Legend	
12995	NEW HATCHBACK DOOR UPPER INTERNAL COVERING FOR VARIATION OF CHASSIS [DAT 15/09/2008, VET 0008977]
14124	NEW TRUNK HANDLE IN CORDURA [DAT 10/12/2009]

Catalogue	MITO 2008-2011	
Category	21.6 BACK DOOR	
Var.	04	
Rev.	00	



Part Num.	Description	Compatibility	Modif.	Qty	Notes	Col.	Reman.
1	46537978 PIN, L=19			02			
2	46532398 PAD			04			
3	71730189 SEALER			01			
4	50508561 ATHERMAL CRYSTAL	!070+!4CU+!5VZ+!717		1			
4	50508562 ATHERMAL CRYSTAL	070+!4CU+!5VZ+!717		1			
4	50508563 ATHERMAL CRYSTAL	!070+717		1			
4	50508563 ATHERMAL CRYSTAL	!070+4CU		1			
4	50508563 ATHERMAL CRYSTAL	!070+5VZ		1			
4	50508564 ATHERMAL CRYSTAL	070+717		1			
4	50508564 ATHERMAL CRYSTAL	070+4CU		1			
4	50508564 ATHERMAL CRYSTAL	070+5VZ		1			

Legend	
070	TINTED WINDOWS
4CU	MAP RADIO NAVIGATOR
5VZ	MAP RADIO NAVIGATOR WITH TMC PRO
717	RADIO EXTRA SERIES 2