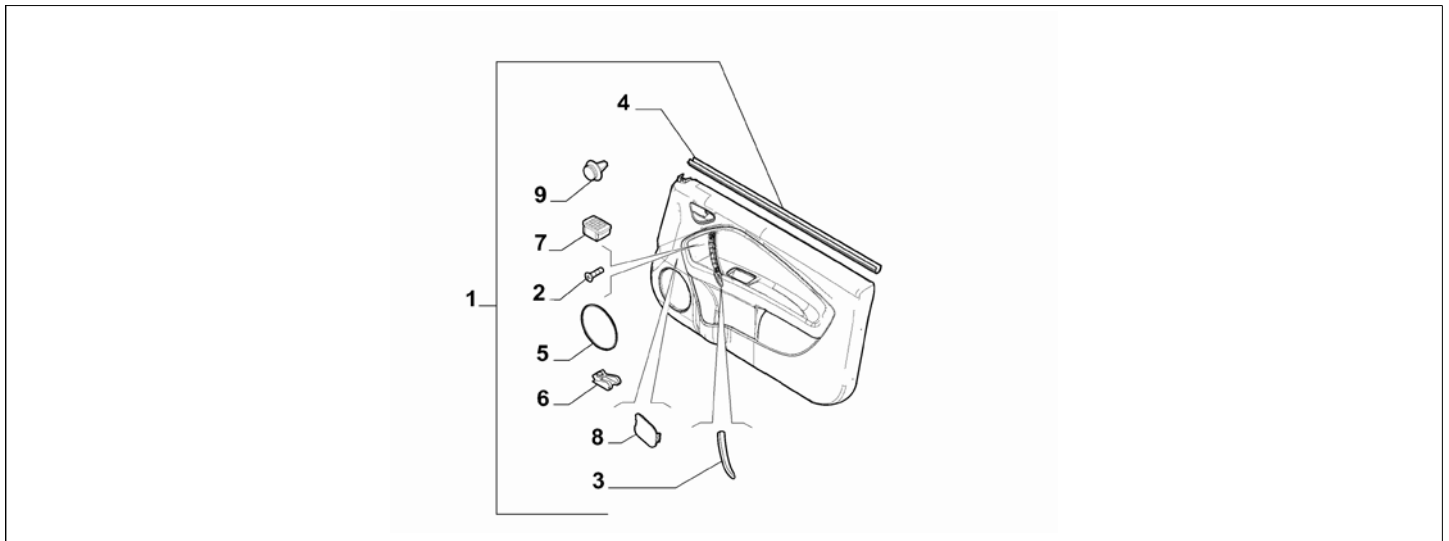


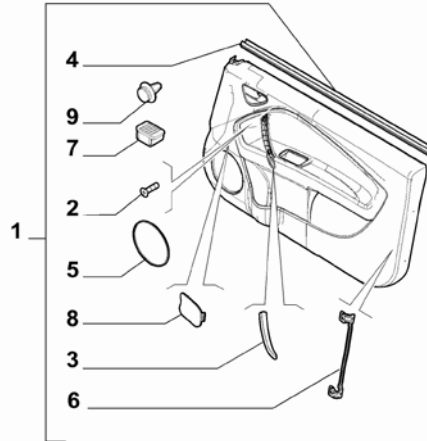
Catalogue	MITO 2008-2011	
Category	21.4 INTERIOR PANELS FOR FRONT SIDE DOORS	
Var.	01	LL0
Rev.	00	



Part Num.	Description	Compatibility	Modif.	Qty	Notes	Col.	Reman.
1	156089062	PANEL, RIGHT	C14804	01		PLALM-808	
1	156097722	PANEL, RIGHT	D14804	01		PLALM-808	
1	156089065	PANEL, RIGHT	C14804	01		PLALM-105	
1	156097986	PANEL, RIGHT	D14804	01		PLALM-105	
1	156089067	PANEL, LEFT	C14804	01		PLALM-808	
1	156097725	PANEL, LEFT	D14804	01		PLALM-808	
1	156089070	PANEL, LEFT	C14804	01		PLALM-105	
1	156097987	PANEL, LEFT	D14804	01		PLALM-105	
2	16083807	SCREW, M4X25		02			
3	156085950	ORNAMENT, RIGHT		01			
3	156085949	ORNAMENT, LEFT		01			
4	71752129	SEAL GASKET		02			
5	71752130	SEAL GASKET		02	BLACK		
5	71752131	SEAL GASKET		02	TITANIUM		
6	50515516	BRACKET, RIGHT	C13043	01			
6	50516937	BRACKET, RIGHT	D13043	01			
6	50515588	BRACKET, LEFT	C13043	01			
6	50516938	BRACKET, LEFT	D13043	01			
7	50500214	PAD		02			
8	156085953	PLUG, RIGHT		01			
8	156085954	PLUG, LEFT		01			
9	71769495	PIN		22			

Legend	
LL0	TRIM LEVEL:PROGRESSION
13043	NEW RIGHT AND LEFT PANEL FIXTURE BRACKET [DAT 15/11/2008]
14804	ADOPTION OF MATT PAINTING ON PLASTIC ITEMS [DAT 15/10/2010]
PLALM-105	RED DASHBOARD
PLALM-808	BLACK DASHBOARD

Catalogue	MITO 2008-2011	
Category	21.4 INTERIOR PANELS FOR FRONT SIDE DOORS	
Var.	01	LL2
Rev.	00	



Part Num.	Description	Compatibility	Modif.	Qty	Notes	Col.	Reman.
1	156089063	PANEL, RIGHT	C14804	01		PLALM-808	
1	156097723	PANEL, RIGHT	D14804	01		PLALM-808	
1	156089064	PANEL, RIGHT	C14804	01		PLALM-106	
1	156097724	PANEL, RIGHT	D14804	01		PLALM-106	
1	156089066	PANEL, RIGHT	C14804	01		PLALM-414	
1	156089068	PANEL, LEFT	C14804	01		PLALM-808	
1	156097726	PANEL, LEFT	D14804	01		PLALM-808	
1	156089069	PANEL, LEFT	C14804	01		PLALM-106	
1	156097727	PANEL, LEFT	D14804	01		PLALM-106	
1	156089071	PANEL, LEFT	C14804	01		PLALM-414	
2	16083807	SCREW, M4X25		02			
3	156085950	ORNAMENT, RIGHT		01			
3	156085949	ORNAMENT, LEFT		01			
4	71752129	SEAL GASKET		02			
5	71752130	SEAL GASKET		02	BLACK		
5	71752131	SEAL GASKET		02	TITANIUM		
6	50515516	BRACKET, RIGHT	C13043	01			
6	50516937	BRACKET, RIGHT	D13043	01			
6	50515588	BRACKET, LEFT	C13043	01			
6	50516938	BRACKET, LEFT	D13043	01			
7	50500214	PAD		02			
8	156085953	PLUG, RIGHT		01			
8	156085954	PLUG, LEFT		01			
9	71769495	PIN		22			

Legend	
LL2	TRIM LEVEL: DISTINCTIVE
13043	NEW RIGHT AND LEFT PANEL FIXTURE BRACKET [DAT 15/11/2008]
14804	ADOPTION OF MATT PAINTING ON PLASTIC ITEMS [DAT 15/10/2010]
PLALM-106	RED DASHBOARD
PLALM-414	BLUE DASHBOARD
PLALM-808	BLACK DASHBOARD