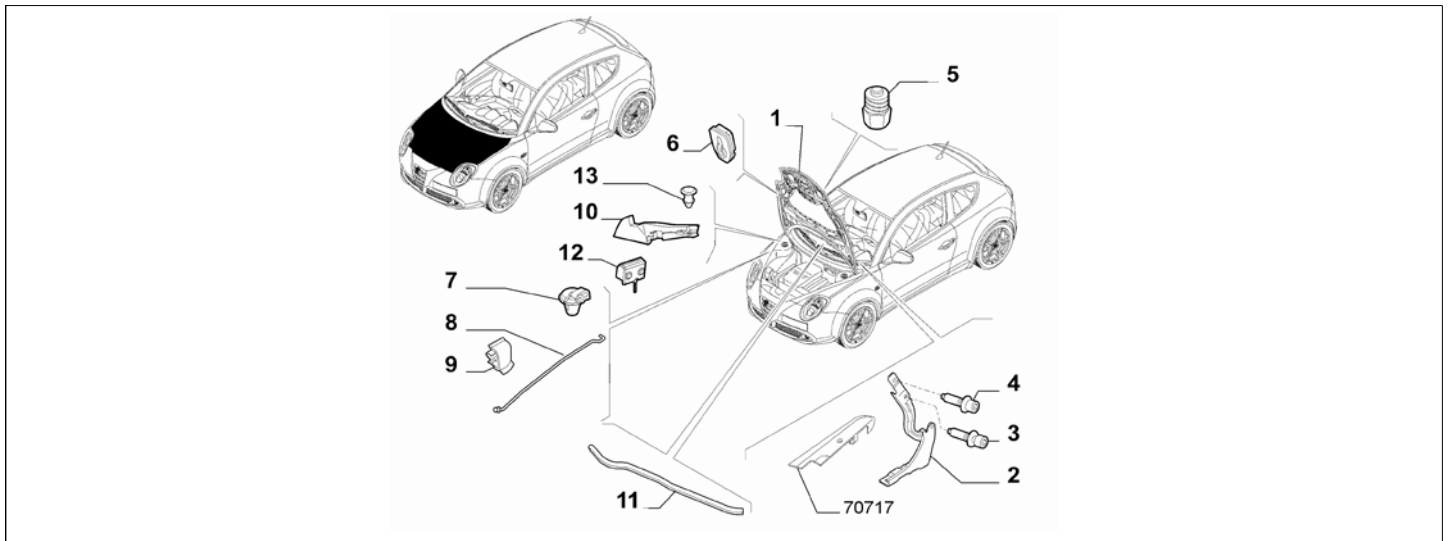
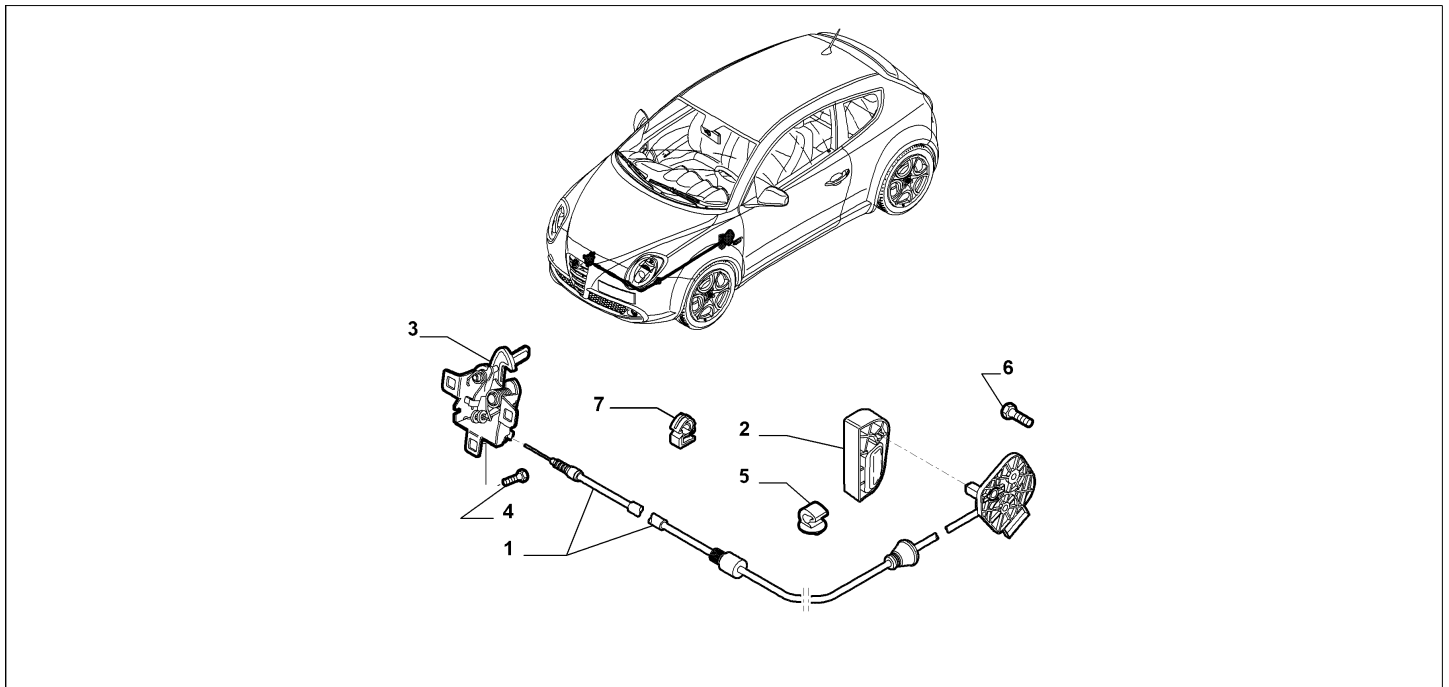


Catalogue	MITO 2008-2011	
Category	21.1 ENGINE COMPARTMENT LID	
Var.	01	
Rev.	00	



Part Num.	Description	Compatibility	Modif.	Qty	Notes	Col.	Reman.
1	50508702 HOOD			01			
2	50508688 HINGE, RH			01			
2	50508689 HINGE, LH			01			
3	1346457080 SCREW, M6X25			04			
4	51748914 SCREW AND WASHER ASSY, M8X30			04			
5	7781964 PAD			01			
6	60607024 BUSH			01			
7	7739088 CLIP			01			
8	50509162 PROP			01			
9	51767633 CLIP			01			
10	50509111 SEAL GASKET, LH			01			
10	50509112 SEAL GASKET, RH			01			
11	50527074 SEAL GASKET			01			
12	50513337 PAD, RH			01			
12	50513439 PAD, LH			01			
13	4380742 BUTTON			02			

Catalogue	MITO 2008-2011	
Category	21.1 ENGINE COMPARTMENT LID	
Var.	02	
Rev.	00	



Part Num.	Description	Compatibility	Modif.	Qty	Notes	Col.	Reman.
1	51733007 FLEX/SHAFT			01			
2	735410607 LEVER			01			
3	50509152 LOCK	1213		01			
3	50513728 LOCK	213		01			
4	11731024 SCREW, M6X18			03			
5	14572480 CLIP			03			
6	11566520 SCREW AND WASHER ASSY, M5X20			01			
7	7766072 CLIP			01			

Legend	
213	ALARM SYSTEM