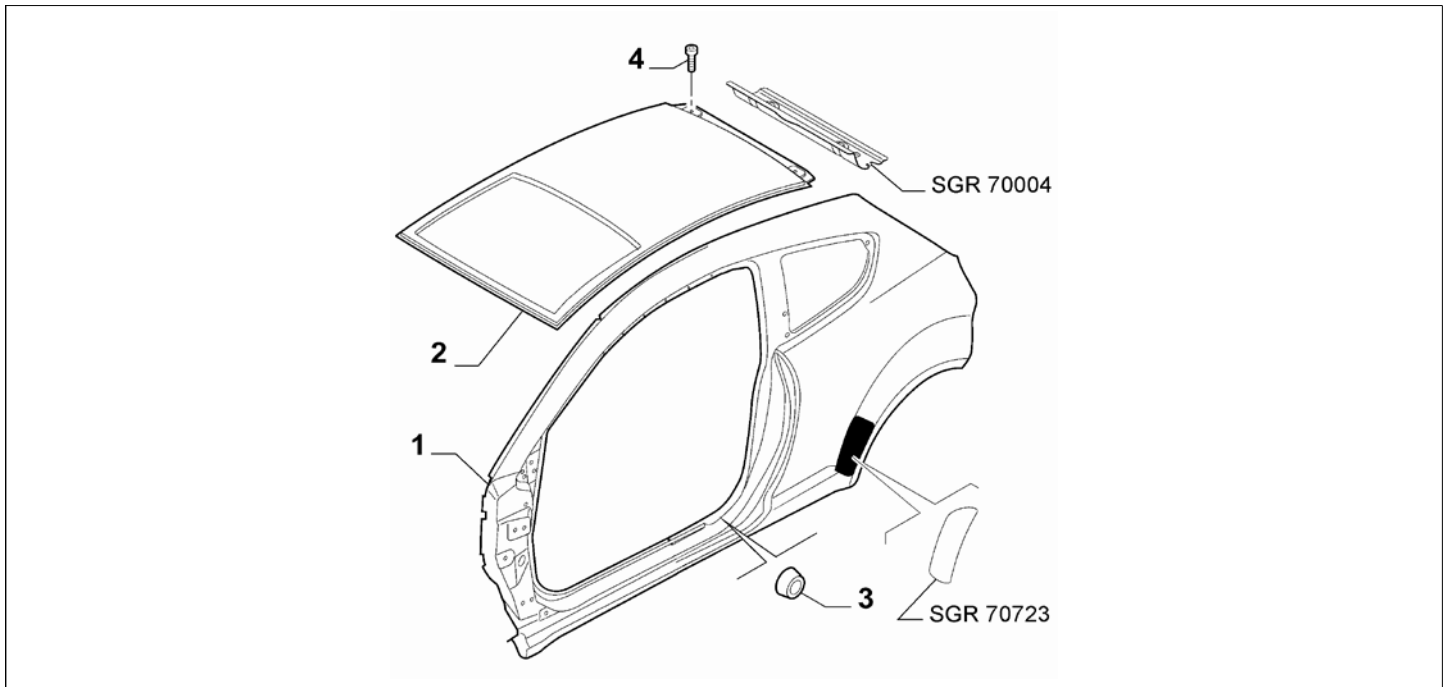


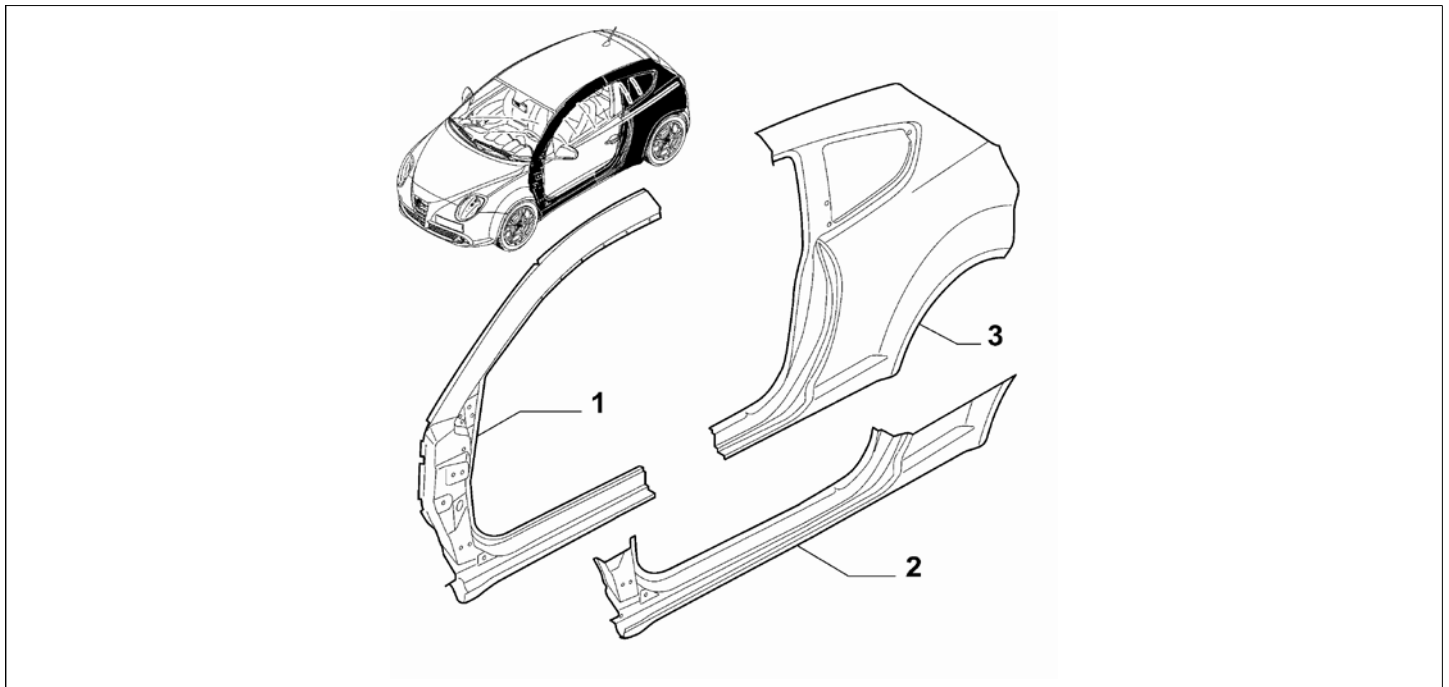
Catalogue	MITO 2008-2011	
Category	20.7 BODYSHELL, PANELS (CENTRAL PART)	
Var.	01	
Rev.	00	



Part Num.	Description	Compatibility	Modif.	Qty	Notes	Col.	Reman.
1	50509081	SIDE PANEL, RH		C12949	01		
1	50516423	SIDE PANEL, RH		D12949	01		
1	50509085	SIDE PANEL, LH		C12949	01		
1	50516424	SIDE PANEL, LH		D12949	01		
2	50510816	ROOF PANEL	!400	C14201	01		
2	50518335	ROOF PANEL	!400	D14201	01		
2	50514294	ROOF PANEL	400	C14201	01		
2	50518336	ROOF PANEL	400	D14201	01		
3	46516811	WICK			02		
4	18750121	SCREW, M6X14	400		06		

Legend	
400	LONG OPENABLE ELECTRIC SUNROOF
12949	NEW EXTERNAL SIDE LEFT AND RIGHT DUE TO THE ADDITION OF SILL CARVING [DAT 15/07/2008, VET 1335]
14201	ROOF RACK BRACKET ESTHETIC IMPROVEMENT [DAT 25/08/2009]

Catalogue	MITO 2008-2011	
Category	20.7 BODYSHELL, PANELS (CENTRAL PART)	
Var.	02	
Rev.	00	



Part Num.	Description	Compatibility	Modif.	Qty	Notes	Col.	Reman.
1	71751479 METAL LINING, RH		C12949	01			
1	71753246 METAL LINING, RH		D12949	01			
1	71751480 METAL LINING, LH		C12949	01			
1	71753247 METAL LINING, LH		D12949	01			
2	71751481 METAL LINING, RH		C12949	01			
2	71753248 METAL LINING, RH		D12949	01			
2	71751482 METAL LINING, LH		C12949	01			
2	71753249 METAL LINING, LH		D12949	01			
3	71751483 REAR FENDER, RH		C12949	01			
3	71753250 REAR FENDER, RH		D12949	01			
3	71751484 REAR FENDER, LH		C12949	01			
3	71753251 REAR FENDER, LH		D12949	01			

Legend	
12949	NEW EXTERNAL SIDE LEFT AND RIGHT DUE TO THE ADDITION OF SILL CARVING [DAT 15/07/2008, VET 1335]