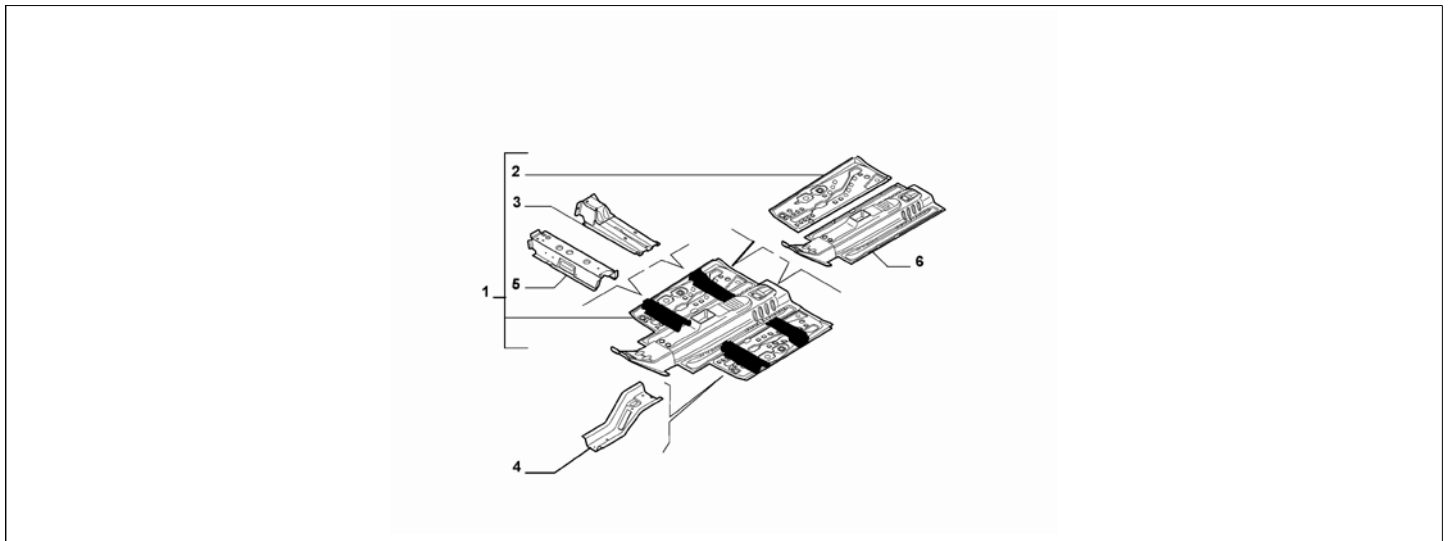
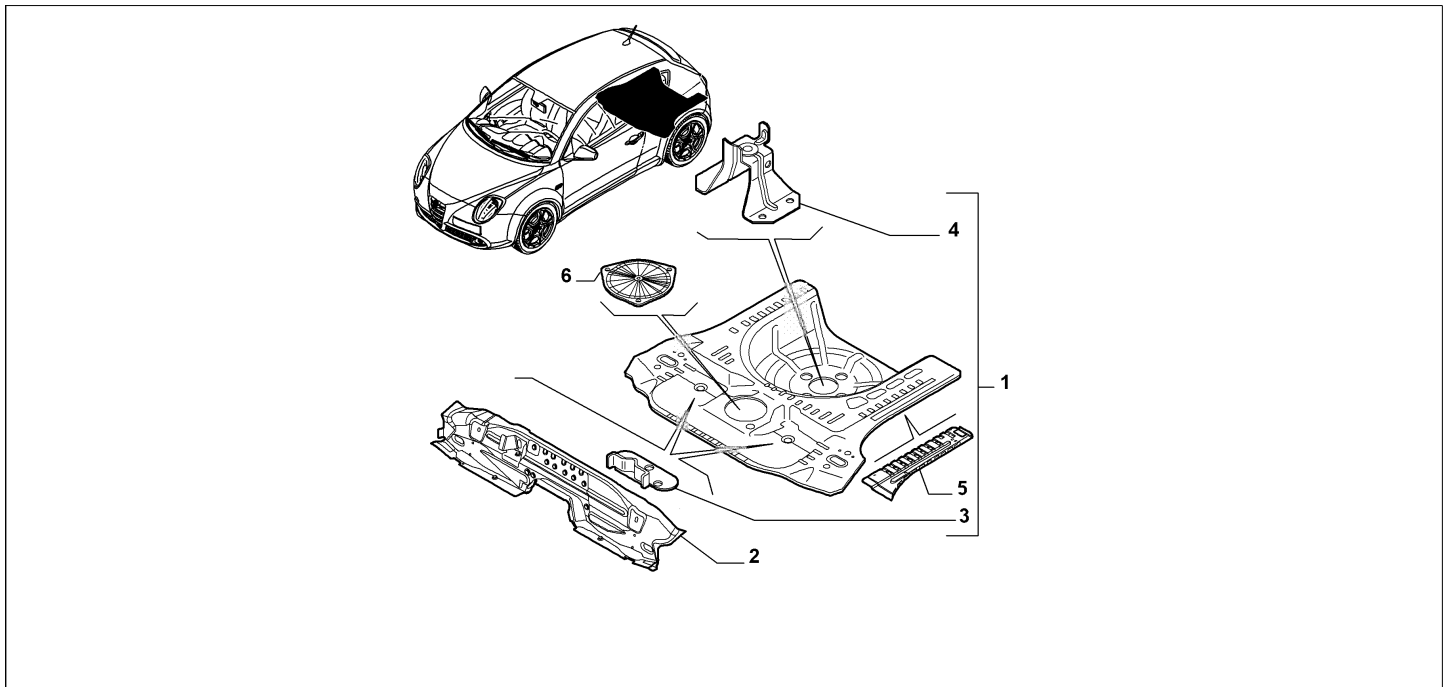


Catalogue	MITO 2008-2011	
Category	20.5 FLOOR	
Var.	01	
Rev.	00	



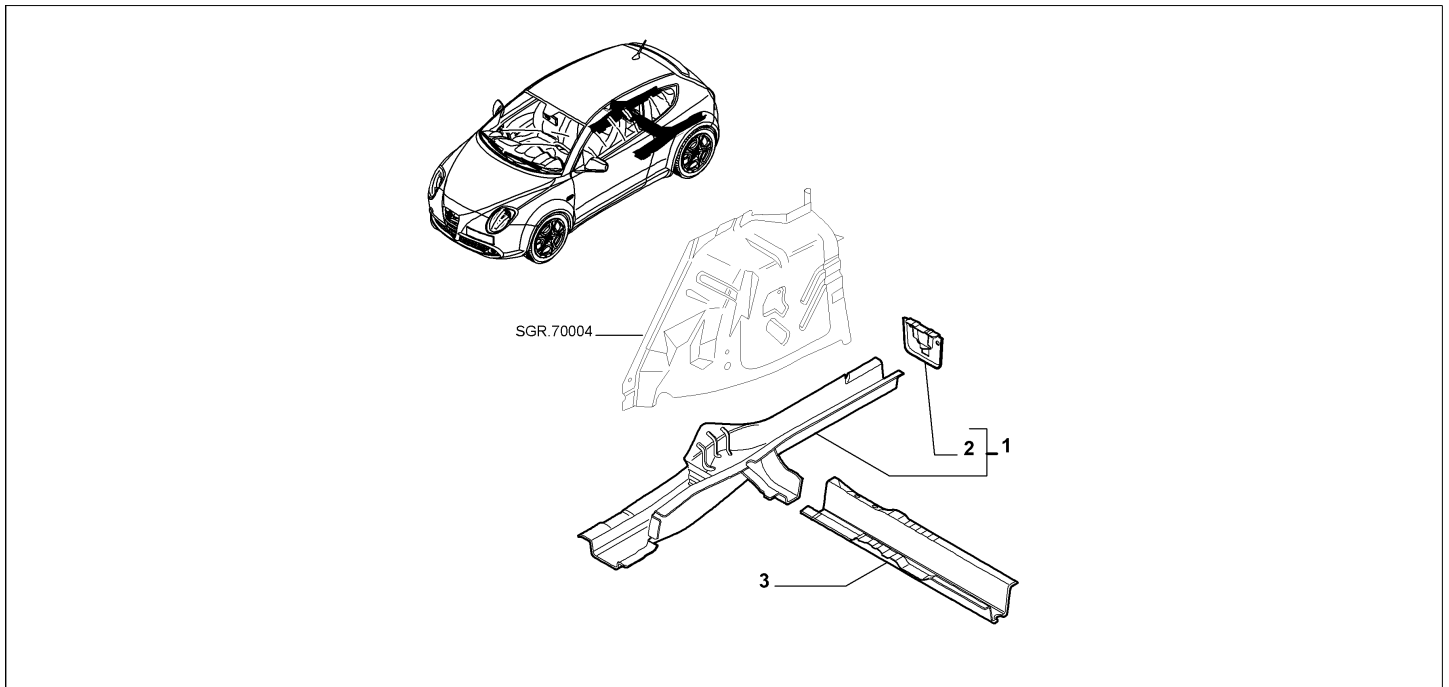
Part Num.	Description	Compatibility	Modif.	Qty	Notes	Col.	Reman.
1	50511142 FLOOR PAN, ANT. COMPL.			01			
2	55703531 FLOOR PAN, RH			01			
2	55703532 FLOOR PAN, LH			01			
3	51858865 CROSSRAIL, RH			01			
3	51858868 CROSSRAIL, LH			01			
4	55703704 SIDE MEMBER, RH			01			
4	55703701 SIDE MEMBER, LH			01			
5	55700052 CROSSRAIL, RH			01			
5	55700053 CROSSRAIL, LH			01			
6	50518717 FLOOR PAN			01			

Catalogue	MITO 2008-2011	
Category	20.5 FLOOR	
Var.	02	
Rev.	00	



Part Num.	Description	Compatibility	Modif.	Qty	Notes	Col.	Reman.
1	55700025 FLOOR PAN, REAR COMPL			01			
2	55703534 CROSSRAIL			01			
3	55702496 BRACKET			02			
4	55702205 BRACKET			01			
5	55700308 BOXED PANEL, LH			01			
6	51739855 COVER			01			

Catalogue	MITO 2008-2011	
Category	20.5 FLOOR	
Var.	03	
Rev.	00	



Part Num.	Description	Compatibility	Modif.	Qty	Notes	Col.	Reman.
1	51923137 SIDE MEMBER, RH			01			
1	51923138 SIDE MEMBER, LH			01			
2	50511474 PLATE, RH			01			
2	50511471 PLATE, LH			01			
3	55700274 CROSSRAIL			01			