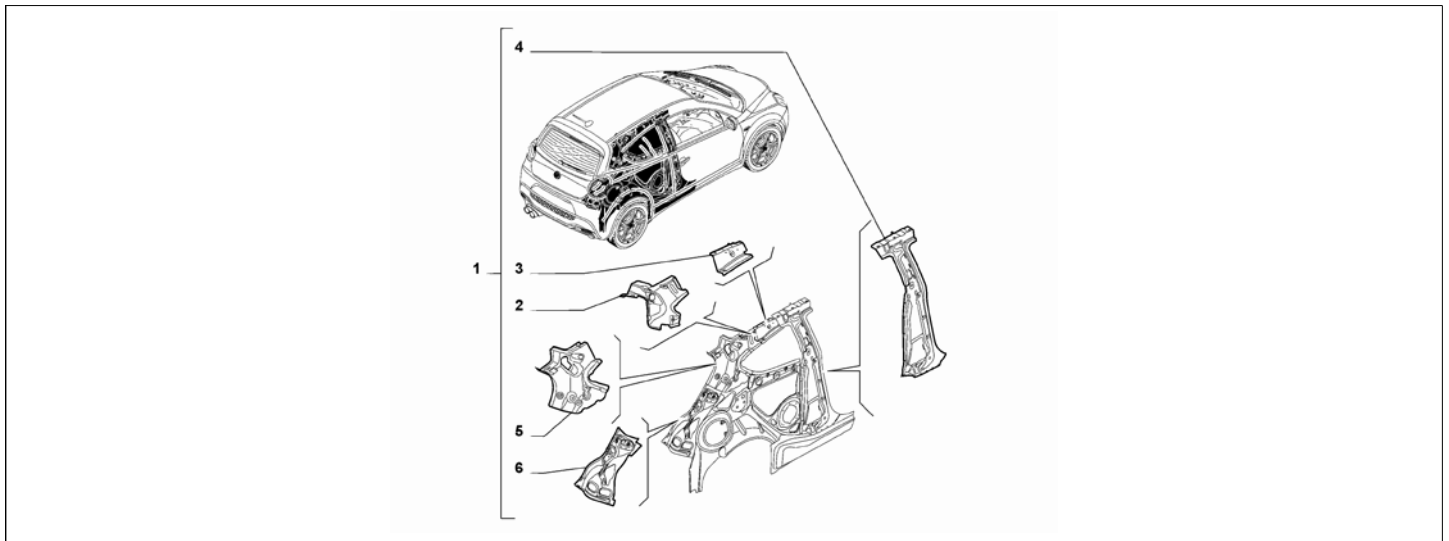


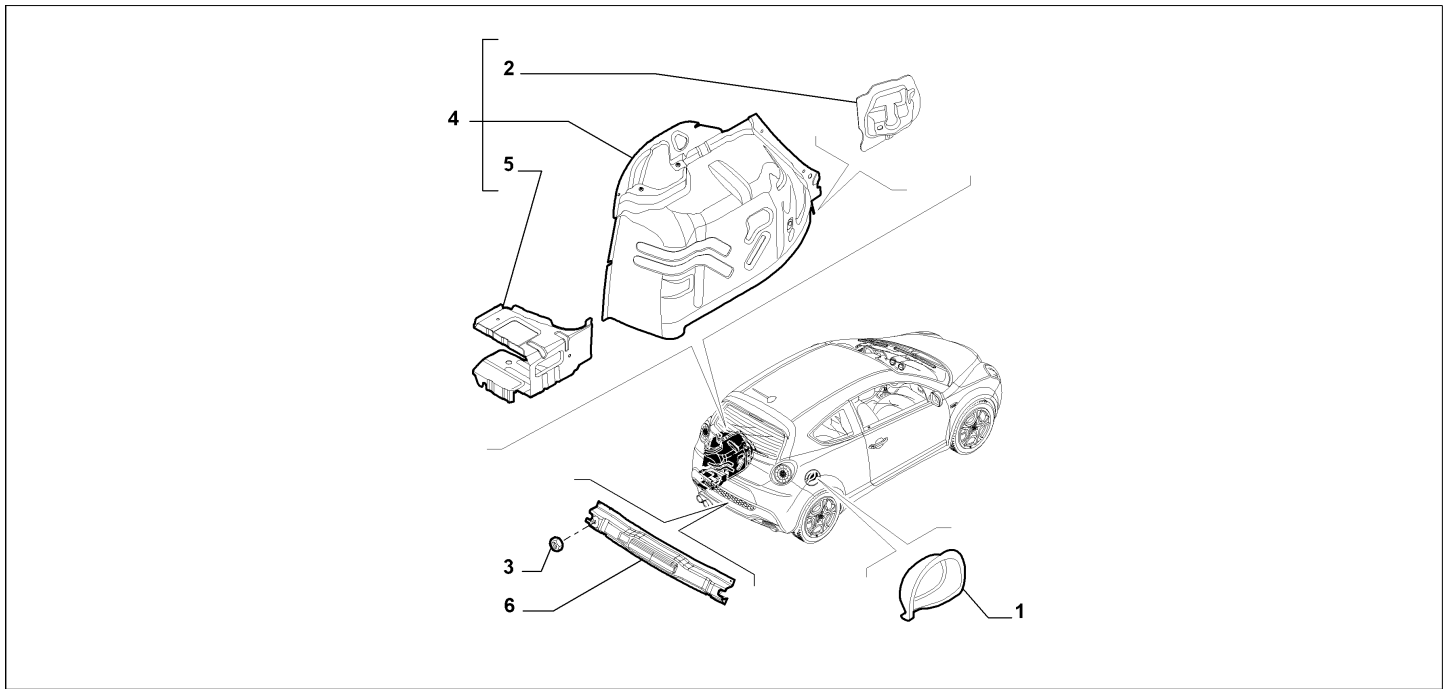
Catalogue	MITO 2008-2011	
Category	20.4 BODYSHELL,STRUCTURE (REAR PART)	
Var.	01	
Rev.	00	



Part Num.	Description	Compatibility	Modif.	Qty	Notes	Col.	Reman.
1	50508745 FRAMING, RH COMPL			01			
1	50508894 FRAMING, LH COMPL		C14112	01			
1	50517175 FRAMING, LH COMPL		D14112	01			
2	50508889 REINFORCEMENT, RH			01			
2	50508909 REINFORCEMENT, LH			01			
3	50518337 SIDE RAIL, RH			01			
3	50518338 SIDE RAIL, LH			01			
4	50508885 BOXED PANEL, RH			01			
4	50508905 BOXED PANEL, LH			01			
5	50508882 BOXED PANEL, RH		C14224	01			
5	50518456 BOXED PANEL, RH		D14224	01			
5	50508902 BOXED PANEL, LH		C14224	01			
5	50518457 BOXED PANEL, LH		D14224	01			
6	50508877 FRAMING, RH			01			
6	50508897 FRAMING, LH			01			

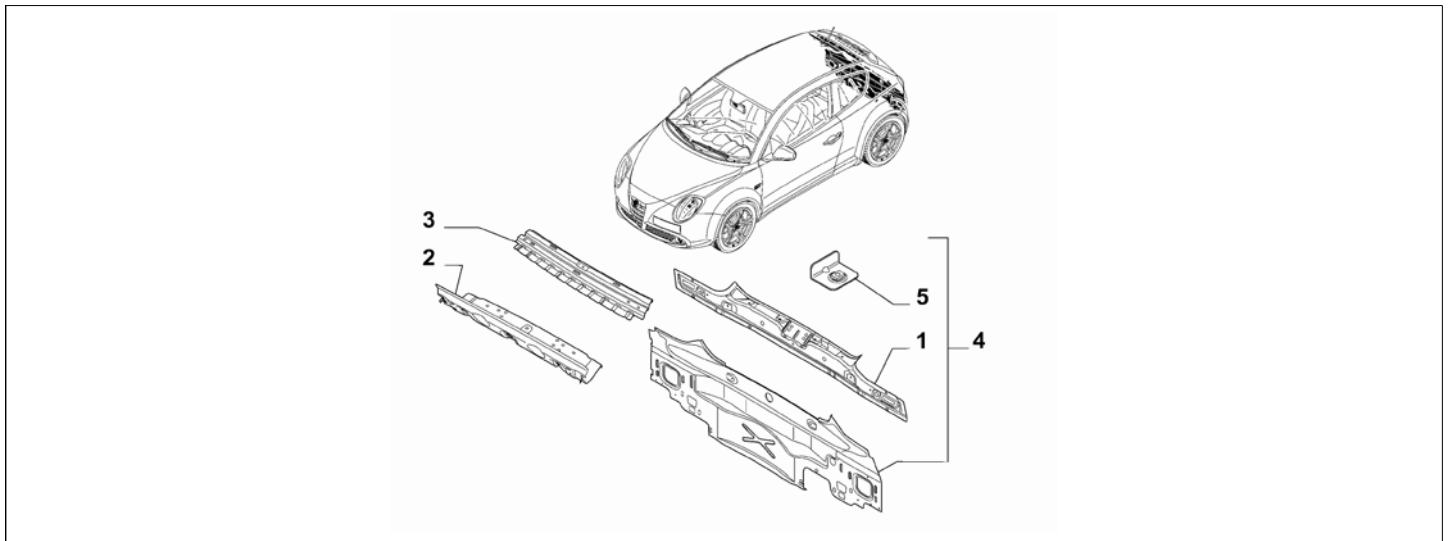
Legend	
14112	NEW LEFT REAR SIDE FRAME [DAT 19/02/2009]
14224	NEW REAR PILLAR CASINGS [DAT 11/01/2010]

Catalogue	MITO 2008-2011	
Category	20.4 BODYSHELL,STRUCTURE (REAR PART)	
Var.	02	
Rev.	00	



Part Num.	Description	Compatibility	Modif.	Qty	Notes	Col.	Reman.
1	50508879 END PLATE			01			
2	55700302 REINFORCEMENT, RH			01			
2	55701427 REINFORCEMENT, LH			01			
3	12578321 NUT, M10X1,25			04			
4	50508624 REAR WHEELHOUSE, RH COMPL			01			
4	50508628 REAR WHEELHOUSE, LH COMPL			01			
5	55700300 BRACKET, RH			01			
5	55700764 BRACKET, LH			01			
6	50509382 CROSSRAIL			01			

Catalogue	MITO 2008-2011	
Category	20.4 BODYSHELL,STRUCTURE (REAR PART)	
Var.	03	
Rev.	00	



Part Num.	Description	Compatibility	Modif.	Qty	Notes	Col.	Reman.
1	50509178 METAL LINING			01			
2	50509068 CROSSRAIL			01			
3	50509069 BOW	400		01			
4	50509178 METAL LINING, COMPL			01			
5	51754382 BRACKET			01			

Legend	
400	LONG OPENABLE ELECTRIC SUNROOF