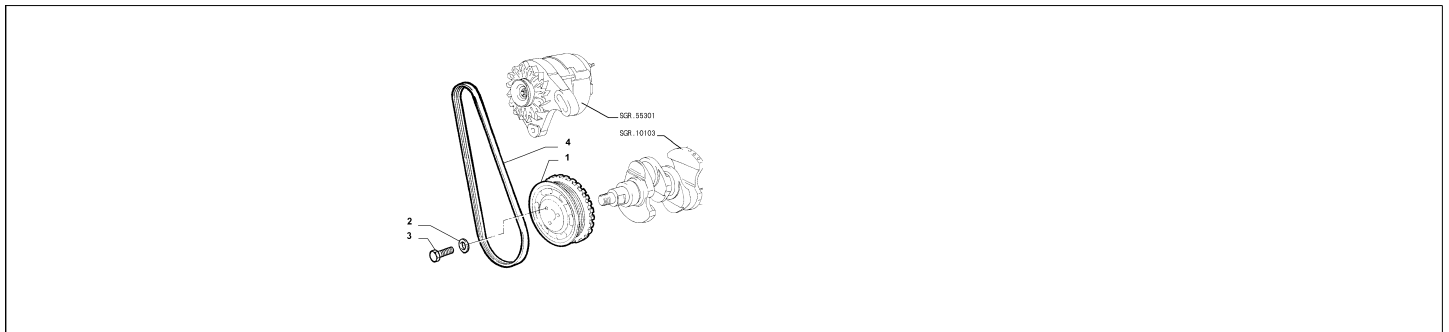


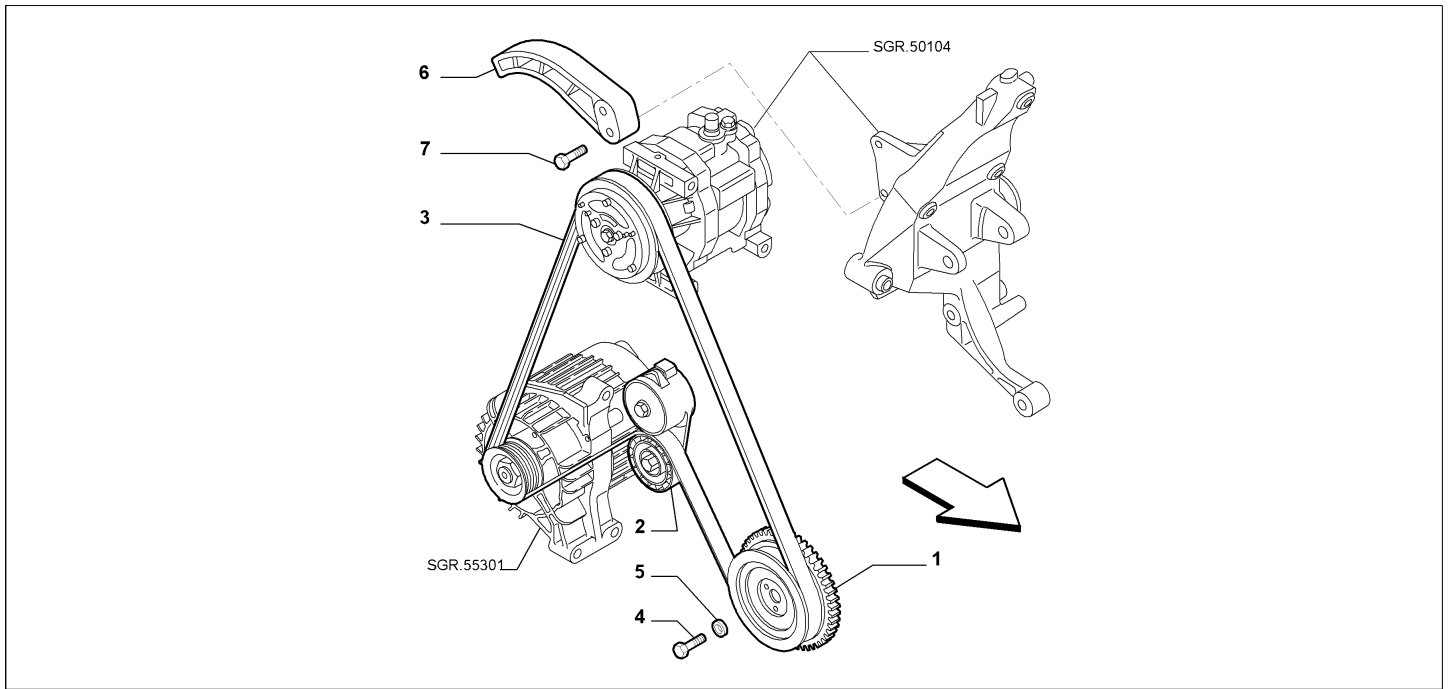
Catalogue	MITO 2008-2011	
Category	2.7 VARIOUS CONTROL BELTS AND PULLEYS	
Var.	01	1.4 + PETROL + (78HP, 105HP, 120HP, 155HP, 135HP, 170HP) + !((025, 140))
Rev.	00	



Part Num.	Description	Compatibility	Modif.	Qty	Notes	Col.	Reman.
1	55189263 DRIVING PULLEY			01			
2	11198074 LOCK WASHER			03			
3	16043324 SCREW			03			
4	46736814 BELT			01			

Legend	
025	AIR CONDITIONER 1
140	CLIMATE CONTROL 2
1.4	HORSE POWER (MARKET):1370
PETROL	FUEL:PETROL
155HP	POWER:1.4 FIRE 16V TURBO 155HP (EURO 5)
170HP	POWER:1.4 FIRE 16V TURBO MULTIAIR 170HP EURO 5
78HP	POWER:1.4 FIRE 16V 78HP EURO5
105HP	POWER:1.4 FIRE 16V MULTIAIR 105HP (EURO 5)
120HP	POWER:120HP
135HP	POWER:1.4 FIRE 16V TURBO MULTIAIR 135 HP EURO 5

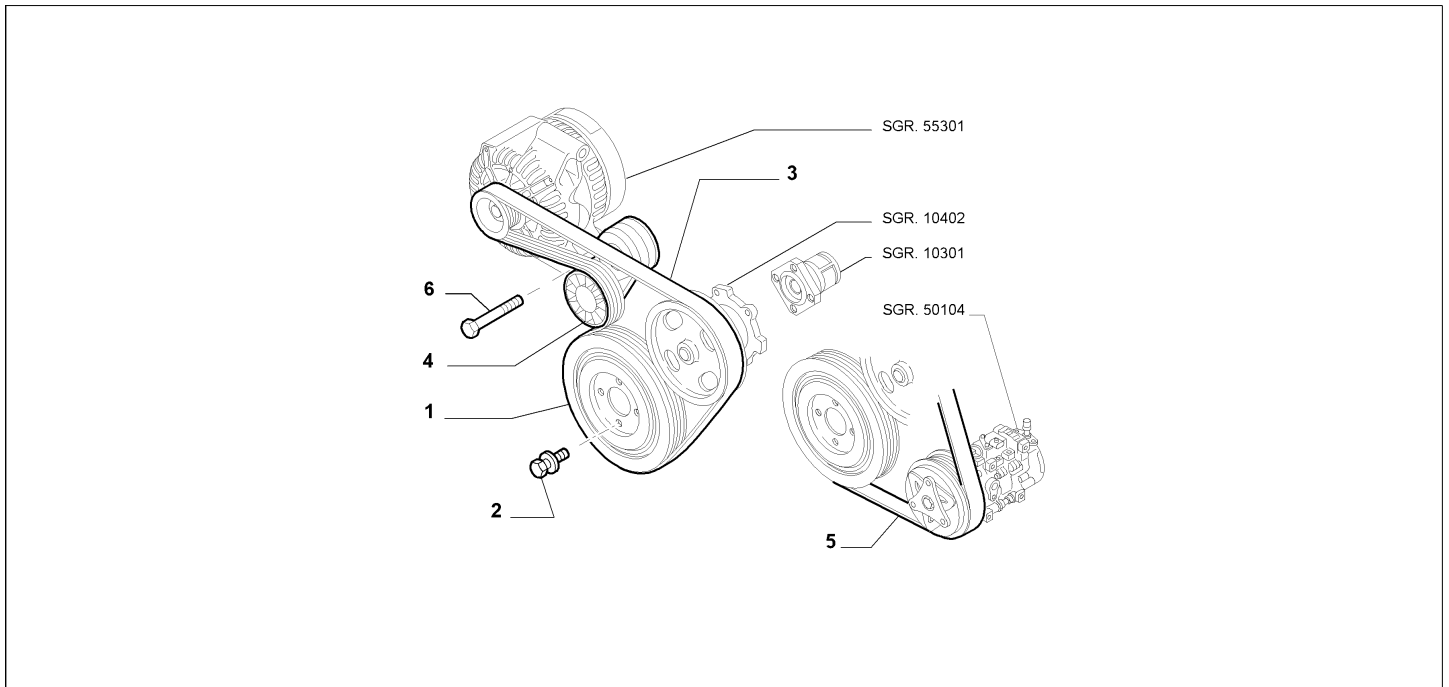
Catalogue	MITO 2008-2011	
Category	2.7 VARIOUS CONTROL BELTS AND PULLEYS	
Var.	02	1.4 + PETROL + (78HP, 105HP, 120HP, 155HP, 135HP, 170HP) + (025, 140)
Rev.	00	



Part Num.	Description	Compatibility	Modif.	Qty	Notes	Col.	Reman.
1	55217836 DRIVING PULLEY			01			
2	55232827 ADJUSTABLE TIGHTENER			01			
3	55249822 BELT			01			
4	11198074 LOCK WASHER			03			
5	16043324 SCREW			03			
6	46548455 PROTECTION			01			
7	16286624 SCREW			02			

Legend	
025	AIR CONDITIONER 1
140	CLIMATE CONTROL 2
1.4	HORSE POWER (MARKET):1370
PETROL	FUEL:PETROL
155HP	POWER:1.4 FIRE 16V TURBO 155HP (EURO 5)
170HP	POWER:1.4 FIRE 16V TURBO MULTIAIR 170HP EURO 5
78HP	POWER:1.4 FIRE 16V 78HP EURO5
105HP	POWER:1.4 FIRE 16V MULTIAIR 105HP (EURO 5)
120HP	POWER:120HP
135HP	POWER:1.4 FIRE 16V TURBO MULTIAIR 135 HP EURO 5

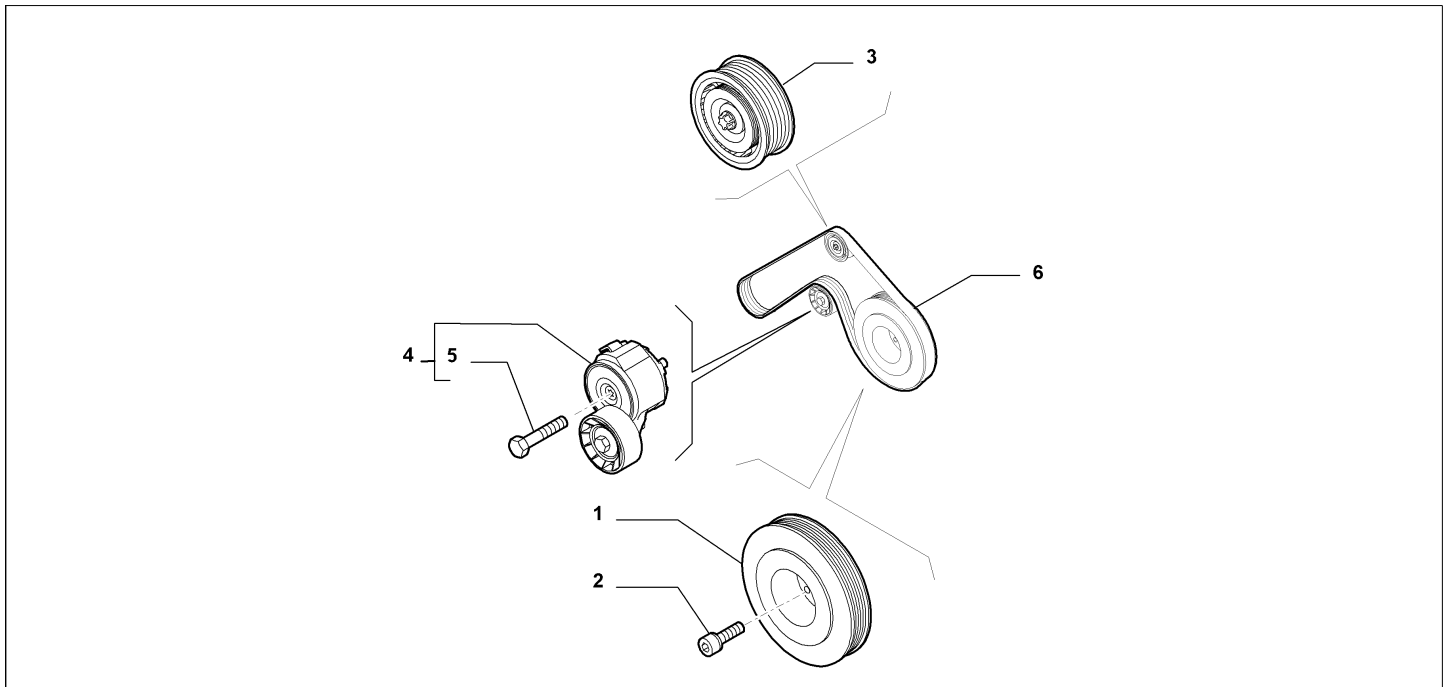
Catalogue	MITO 2008-2011	
Category	2.7 VARIOUS CONTROL BELTS AND PULLEYS	
Var.	01	1.3D + DIESEL + 90HP + EURO4
Rev.	00	



Part Num.	Description	Compatibility	Modif.	Qty	Notes	Col.	Reman.
1	55200498 DRIVING PULLEY			01			
2	55189544 SCREW AND WASHER ASSY, M8X12			04			
3	55185077 BELT	1025+1140		01			
4	55185074 ADJUSTABLE TIGHTENER		C12982	01			
4	51821653 ADJUSTABLE TIGHTENER		D12982	01			
5	55194731 BELT, L=1323	025, 140		01			
6	51773571 SCREW		C12982	01			

Legend	
025	AIR CONDITIONER 1
140	CLIMATE CONTROL 2
1.3D	HORSE POWER (MARKET):1.3
DIESEL	FUEL:DIESEL
EURO4	ECOLOGY:EEC LIM. STAGE 4
90HP	POWER:1.3 SDE 90HP EURO4
12982	NEW AUTOMATIC TURNBUCKLE COMPLETE WITH FIXTURE SCREWS AT THE BASE [DAT 15/02/2009 (M72)]

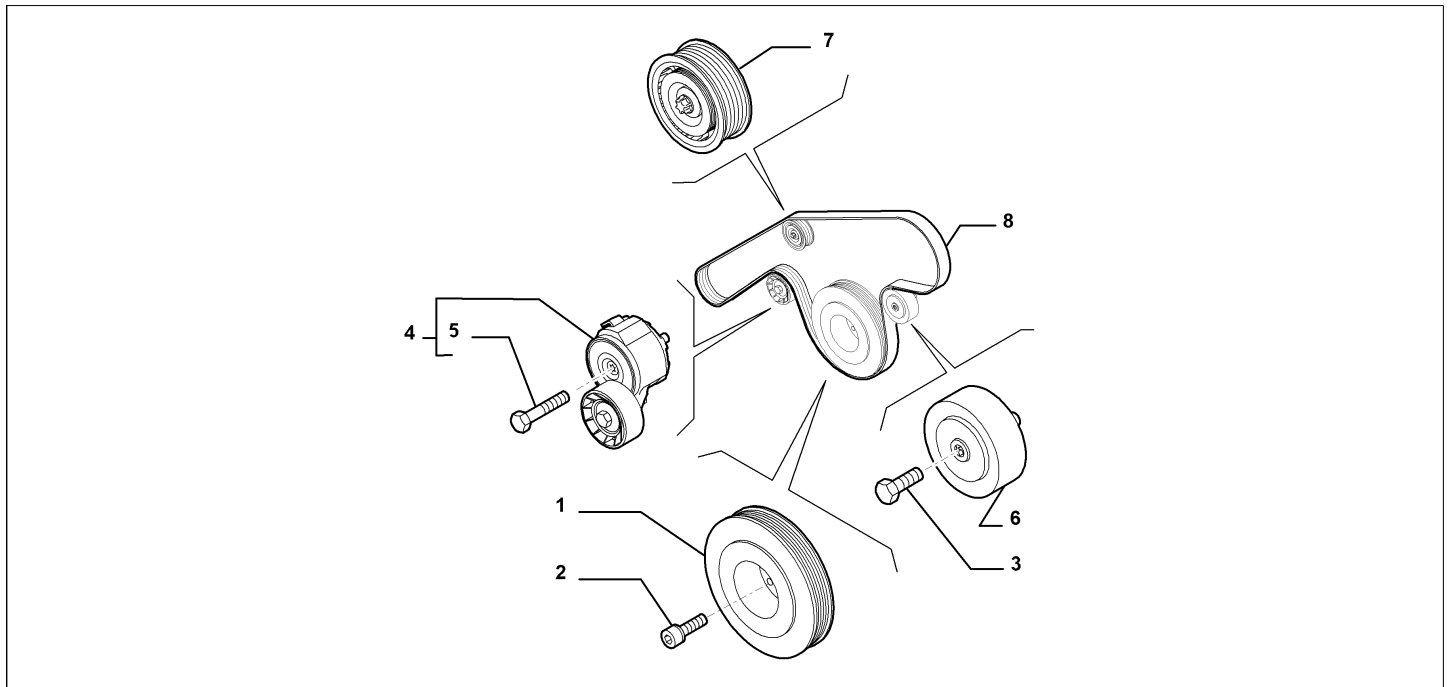
Catalogue	MITO 2008-2011	
Category	2.7 VARIOUS CONTROL BELTS AND PULLEYS	
Var.	01	1.6D + !140, 1.6D + !025
Rev.	00	



Part Num.	Description	Compatibility	Modif.	Qty	Notes	Col.	Reman.
1	55208280 DRIVING PULLEY		C14195	01			
1	55265660 DRIVING PULLEY		D14195	01			
2	55261930 SCREW			04			
3	51800046 FIXED TIGHTENER			01			
4	51773551 ADJUSTABLE TIGHTENER, COMPL			01			
5	16044524 SCREW			01			
6	55192075 BELT			01			

Legend	
025	AIR CONDITIONER 1
140	CLIMATE CONTROL 2
1.6D	HORSE POWER (MARKET):1598
14195	New engine ECU, wiring harness and pulley [MOT 6432412]

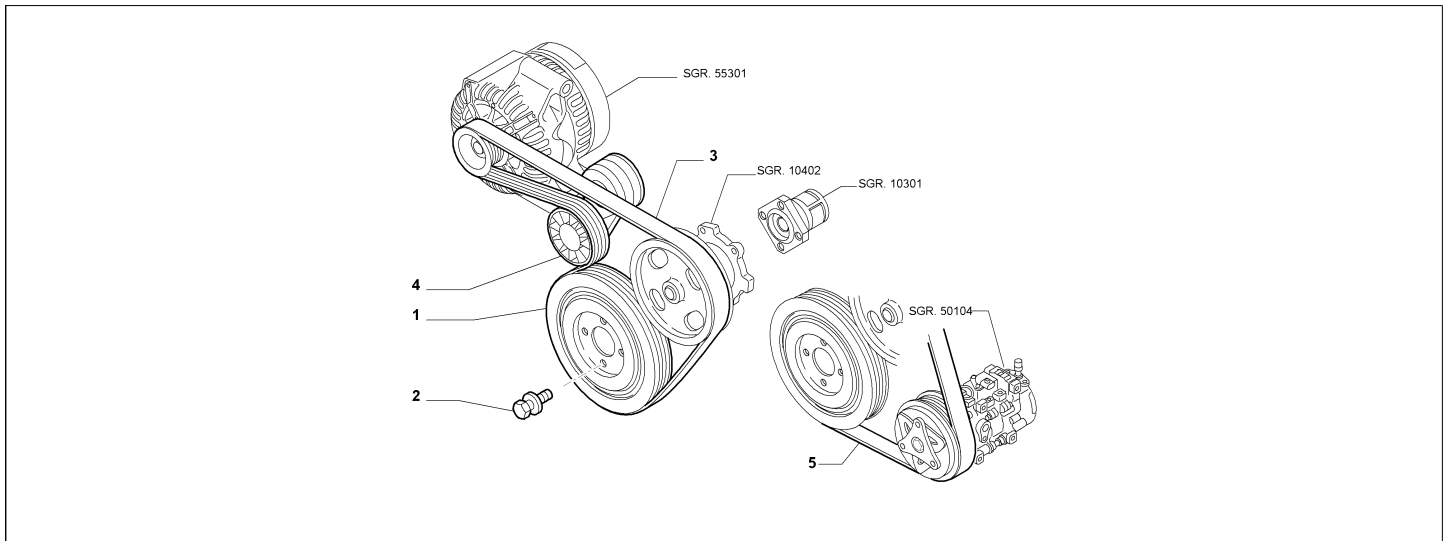
Catalogue	MITO 2008-2011	
Category	2.7 VARIOUS CONTROL BELTS AND PULLEYS	
Var.	01	1.6D + 025, 1.6D + 140
Rev.	00	



Part Num.	Description	Compatibility	Modif.	Qty	Notes	Col.	Reman.
1	55208280 DRIVING PULLEY		C14195	01			
1	55265660 DRIVING PULLEY		D14195	01			
2	55261930 SCREW			04			
3	16288934 SCREW, M10X50			01			
4	51773551 ADJUSTABLE TIGHTENER, COMPL			01			
5	16044524 SCREW			01			
6	51758383 FIXED TIGHTENER			02			
7	51800046 FIXED TIGHTENER			01			
8	55203815 BELT			01			

Legend	
025	AIR CONDITIONER 1
140	CLIMATE CONTROL 2
1.6D	HORSE POWER (MARKET):1598
14195	New engine ECU, wiring harness and pulley [MOT 6432412]

Catalogue	MITO 2008-2011	
Category	2.7 VARIOUS CONTROL BELTS AND PULLEYS	
Var.	01	1.3D + DIESEL + (95HP, 85HP) + EURO5
Rev.	00	



Part Num.	Description	Compatibility	Modif.	Qty	Notes	Col.	Reman.
1	55200498 DRIVING PULLEY			01			
2	55189544 SCREW AND WASHER ASSY, M8X12			04			
3	55185077 BELT	1025+1140		01			
4	51821652 ADJUSTABLE TIGHTENER			01			
5	55202621 BELT	025, 140		1			

Legend	
025	AIR CONDITIONER 1
140	CLIMATE CONTROL 2
1.3D	HORSE POWER (MARKET):1.3
DIESEL	FUEL:DIESEL
EURO5	ECOLOGY:LIM.ECC PHASE 5
85HP	POWER:1.3 SDE 85HP EURO5
95HP	POWER:95HP