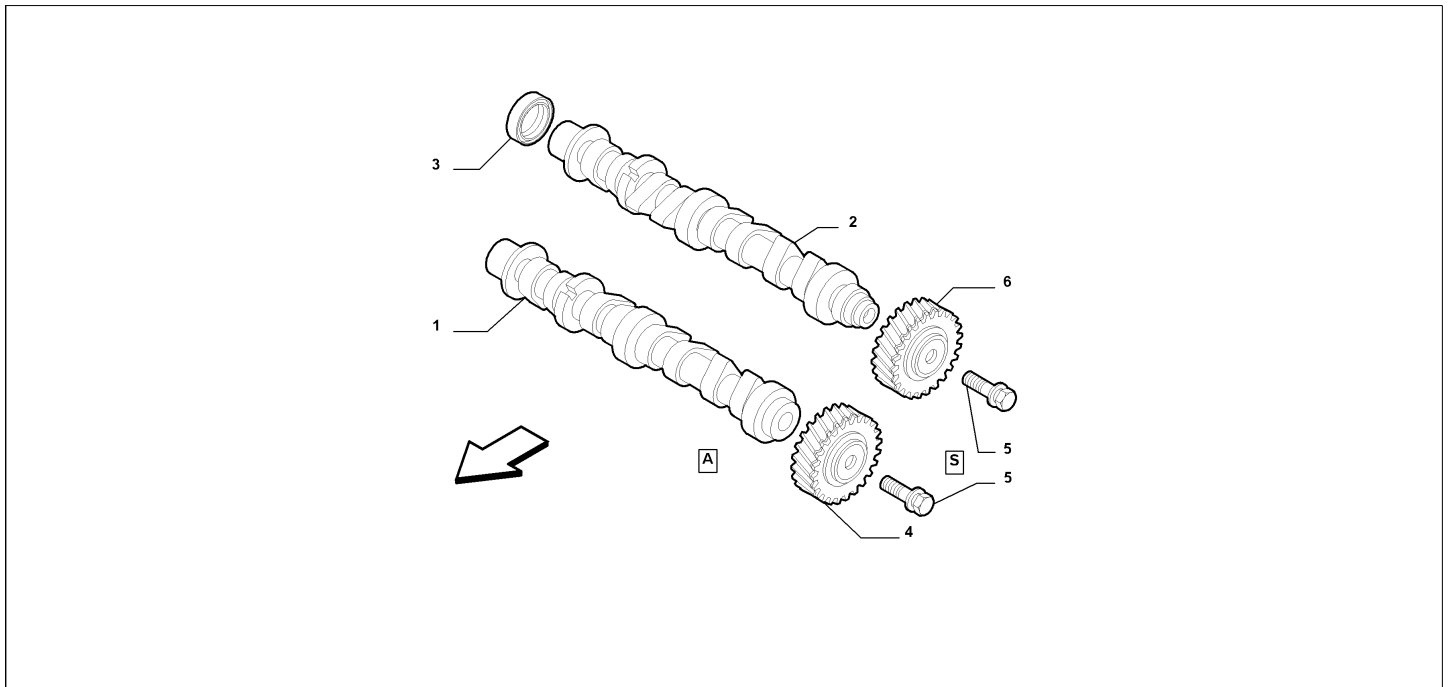


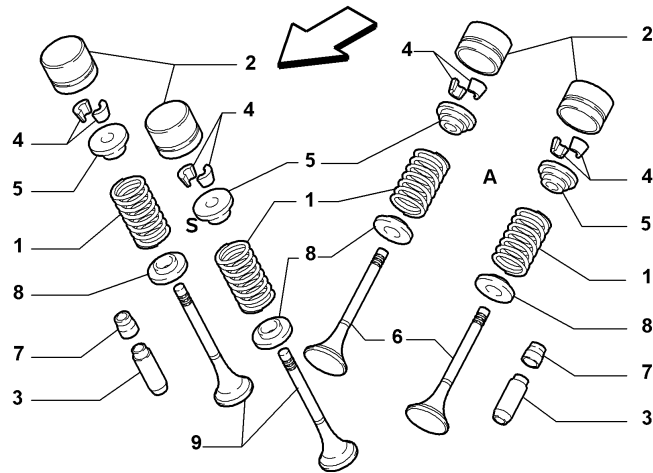
Catalogue	MITO 2008-2011	
Category	2.6 DISTRIBUTION	
Var.	01	1.4 + PETROL + 78HP
Rev.	00	



Part Num.	Description	Compatibility	Modif.	Qty	Notes	Col.	Reman.
1	55226480 CAMSHAFT, ASP.			01			
2	55226481 CAMSHAFT, EXHAUST			01			
3	55195339 SEAL GASKET			01			
4	55188792 GEAR			01			
5	46467909 SCREW			02			
6	55181249 GEAR			01			

Legend	
1.4	HORSE POWER (MARKET):1370
PETROL	FUEL:PETROL
78HP	POWER:1.4 FIRE 16V 78HP EURO5

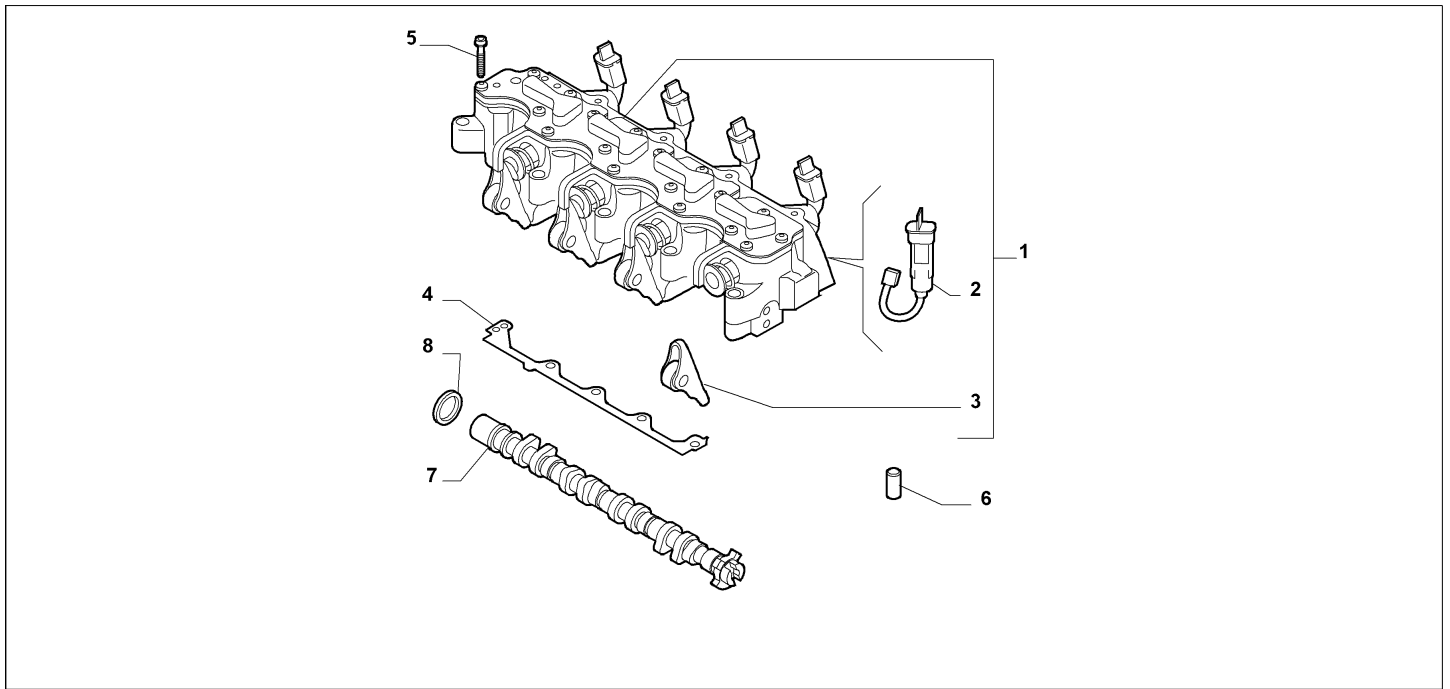
Catalogue	MITO 2008-2011	
Category	2.6 DISTRIBUTION	
Var.	02	1.4 + PETROL + 78HP
Rev.	00	



Part Num.	Description	Compatibility	Modif.	Qty	Notes	Col.	Reman.
1	55272089 SPRING			16			
2	55193839 TAPPET			16			
3	73500256 VALVE GUIDE+0.05			16			
3	73500257 VALVE GUIDE+0.1			16			
3	73500258 VALVE GUIDE +0.25			16			
4	14194670 SEMI-CONE TAPPETS			32			
5	55185029 SEAL			16			
6	55185028 INTAKE VALVE			08			
7	46470334 SEAL			16			
8	55185030 CUP			16			
9	55185080 EXHAUST VALVE			08			

Legend	
1.4	HORSE POWER (MARKET):1370
PETROL	FUEL:PETROL
78HP	POWER:1.4 FIRE 16V 78HP EURO5

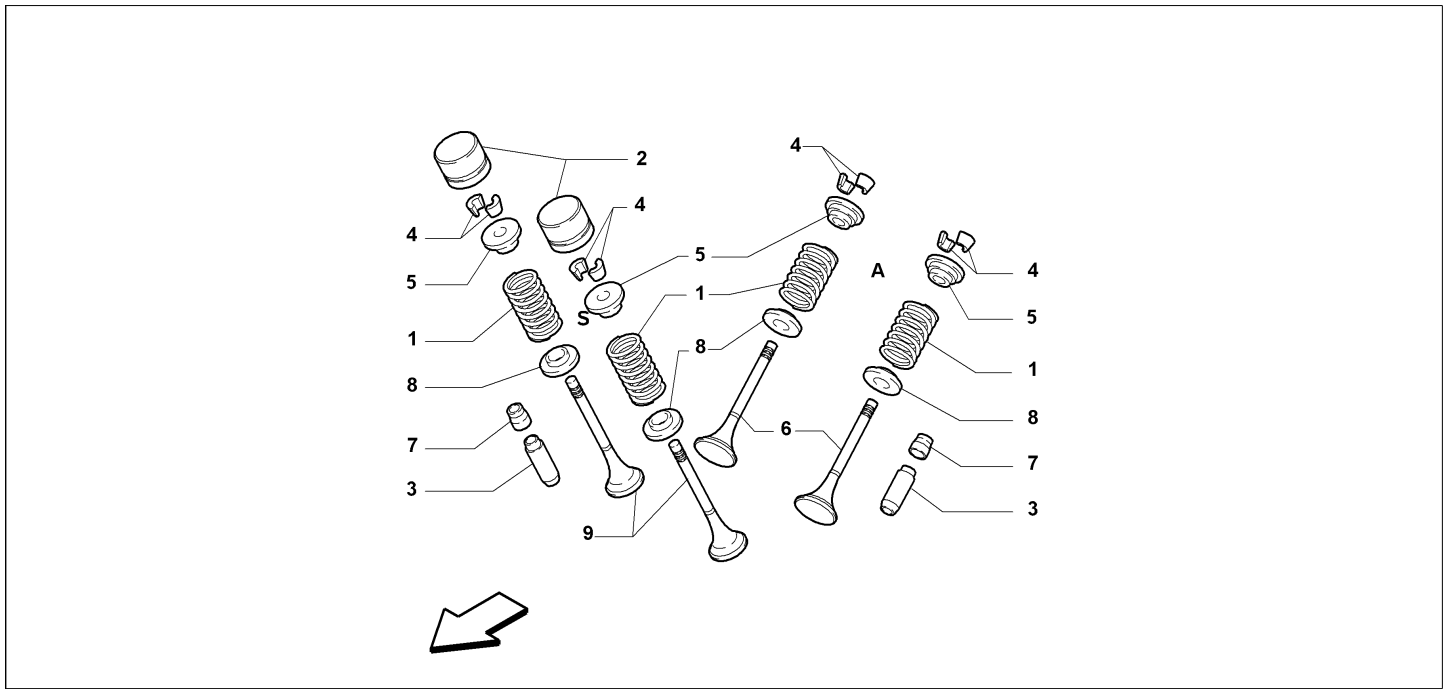
Catalogue	MITO 2008-2011	
Category	2.6 DISTRIBUTION	
Var.	01	1.4 + PETROL + (105HP, 135HP, 170HP)
Rev.	00	



Part Num.	Description	Compatibility	Modif.	Qty	Notes	Col.	Reman.
1	55228221	ACTUATOR	C15001	01			
1	55272426	ACTUATOR	D15001	1			
2	55217822	SENDING UNIT		01			
3	55245751	ROCKER		04			
4	55222222	SEAL GASKET		01			
5	55266119	SCREW		09			
6	55228331	BUSH		03			
7	55242842	CAMSHAFT	NOTURBO	01			
7	55242843	CAMSHAFT	135HP	01			
7	55242844	CAMSHAFT	170HP	01			
8	55189997	SEAL GASKET		01			

Legend	
NOTURBO	(ASPIRATED/TURBO):EXHAUST FAN
1.4	HORSE POWER (MARKET):1370
PETROL	FUEL:PETROL
170HP	POWER:1.4 FIRE 16V TURBO MULTIAIR 170HP EURO 5
105HP	POWER:1.4 FIRE 16V MULTIAIR 105HP (EURO 5)
135HP	POWER:1.4 FIRE 16V TURBO MULTIAIR 135 HP EURO 5
15001	NEW TIMING ACTUATOR [DAT 24/01/2011]

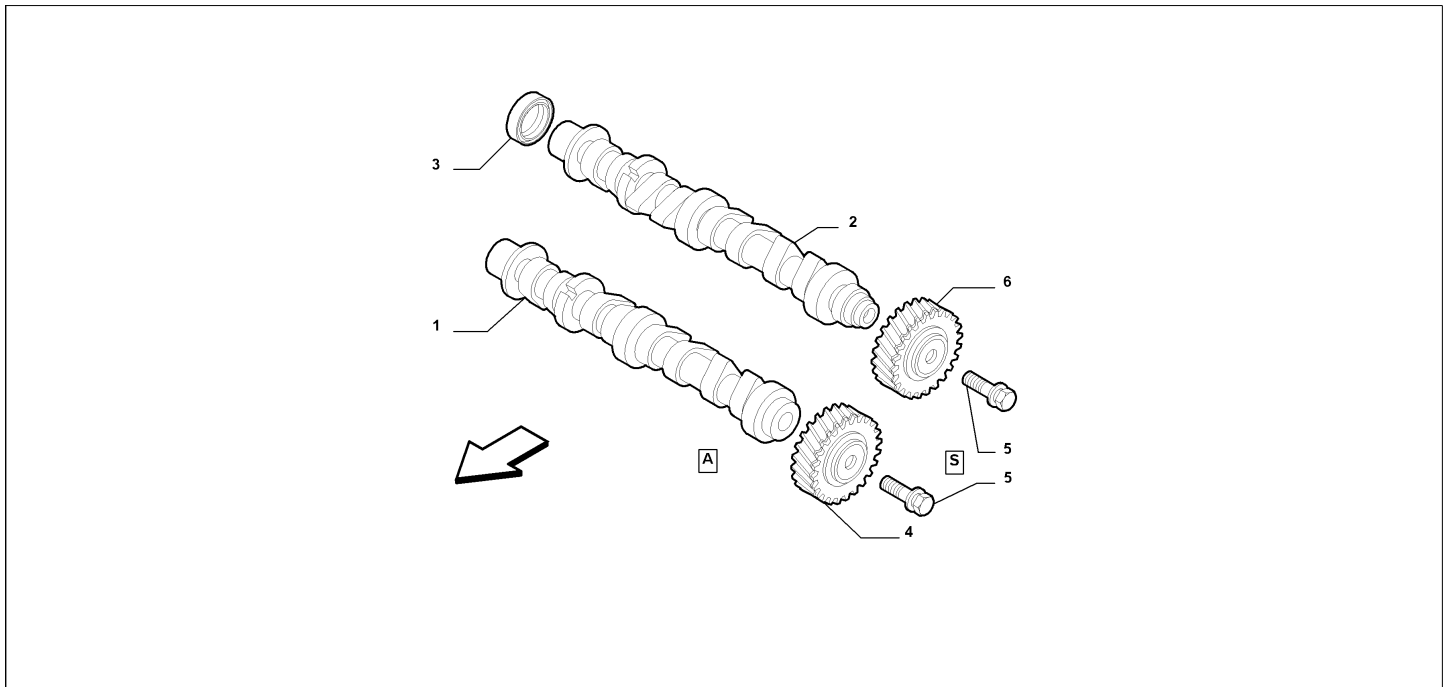
Catalogue	MITO 2008-2011	
Category	2.6 DISTRIBUTION	
Var.	02	1.4 + PETROL + (105HP, 135HP, 170HP)
Rev.	00	



Part Num.	Description	Compatibility	Modif.	Qty	Notes	Col.	Reman.
1	55269586 SPRING			16			
2	55258832 TAPPET			08			
3	73500256 VALVE GUIDE+0.05			16			
3	73500257 VALVE GUIDE+0.1			16			
3	73500258 VALVE GUIDE +0.25			16			
4	14194670 SEMI-CONE TAPPETS			32			
5	55212937 CUP			16			
6	55185028 INTAKE VALVE			08			
7	46470334 SEAL			16			
8	55212209 CUP, ASP			08			
8	55212208 CUP, SCAR			08			
9	55185080 EXHAUST VALVE	NOTURBO		08			
9	55239748 EXHAUST VALVE	135HP, 170HP		08			

Legend	
NOTURBO	(ASPIRATED/TURBO):EXHAUST FAN
1.4	HORSE POWER (MARKET):1370
PETROL	FUEL:PETROL
170HP	POWER:1.4 FIRE 16V TURBO MULTIAIR 170HP EURO 5
105HP	POWER:1.4 FIRE 16V MULTIAIR 105HP (EURO 5)
135HP	POWER:1.4 FIRE 16V TURBO MULTIAIR 135 HP EURO 5

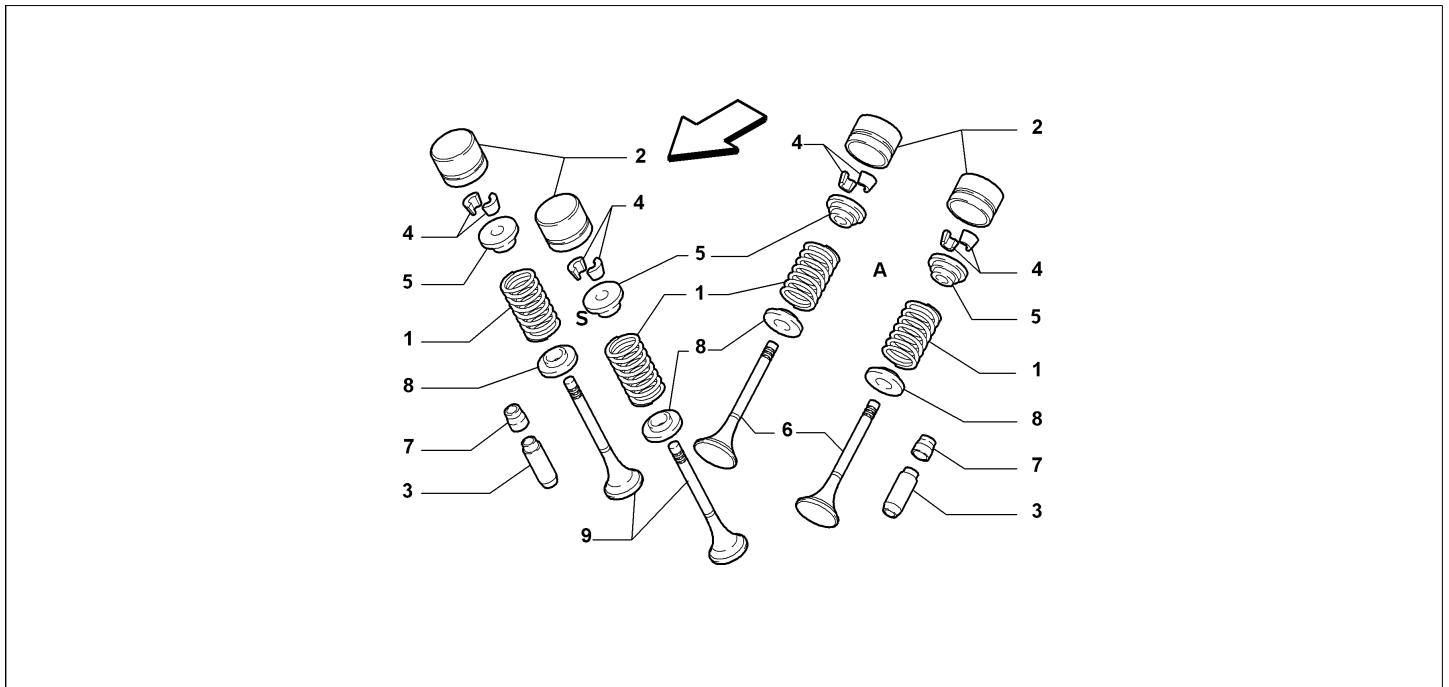
Catalogue	MITO 2008-2011	
Category	2.6 DISTRIBUTION	
Var.	01	1.4 + PETROL + (155HP, 120HP)
Rev.	00	



Part Num.	Description	Compatibility	Modif.	Qty	Notes	Col.	Reman.
1	55208474 CAMSHAFT, ASP.	155HP		01			
1	55209529 CAMSHAFT, ASP.	120HP		01			
2	55208532 CAMSHAFT, SC.	155HP		01			
2	55206064 CAMSHAFT, SC.	120HP		01			
3	55195339 SEAL GASKET			01			
4	46465558 GEAR			01			
5	46467909 SCREW			02			
6	46465562 GEAR			01			

Legend	
1.4	HORSE POWER (MARKET):1370
PETROL	FUEL:PETROL
155HP	POWER:1.4 FIRE 16V TURBO 155HP (EURO 5)
120HP	POWER:120HP

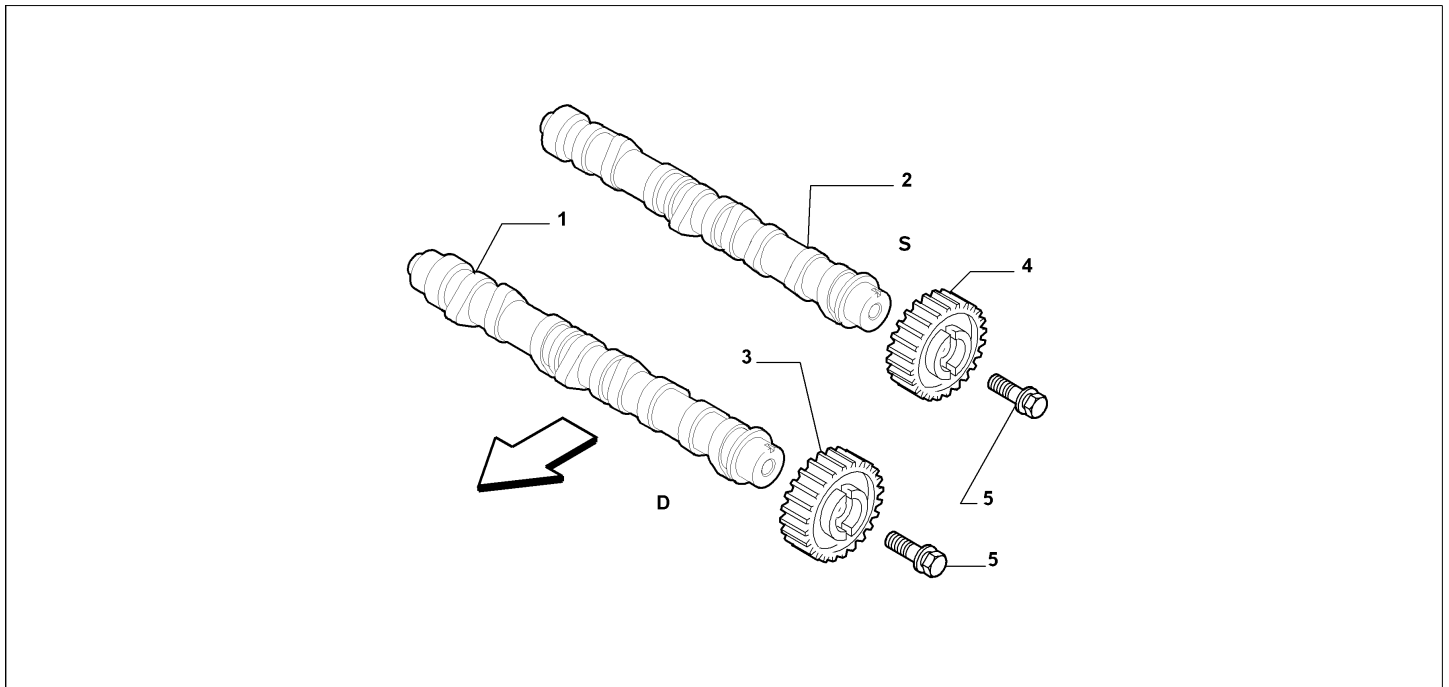
Catalogue	MITO 2008-2011	
Category	2.6 DISTRIBUTION	
Var.	02	1.4 + PETROL + (155HP, 120HP)
Rev.	00	



Part Num.	Description	Compatibility	Modif.	Qty	Notes	Col.	Reman.
1	55272089 SPRING			16			
2	55193839 TAPPET			16			
3	73500256 VALVE GUIDE+0.05			16			
3	73500257 VALVE GUIDE+0.1			16			
3	73500258 VALVE GUIDE +0.25			16			
4	14194670 SEMI-CONE TAPPETS			32			
5	55185029 SEAL			16			
6	55185028 INTAKE VALVE, ASP.			08			
7	46470334 SEAL			16			
8	55185030 CUP			16			
9	55239748 EXHAUST VALVE, SC.			08			

Legend	
1.4	HORSE POWER (MARKET):1370
PETROL	FUEL:PETROL
155HP	POWER:1.4 FIRE 16V TURBO 155HP (EURO 5)
120HP	POWER:120HP

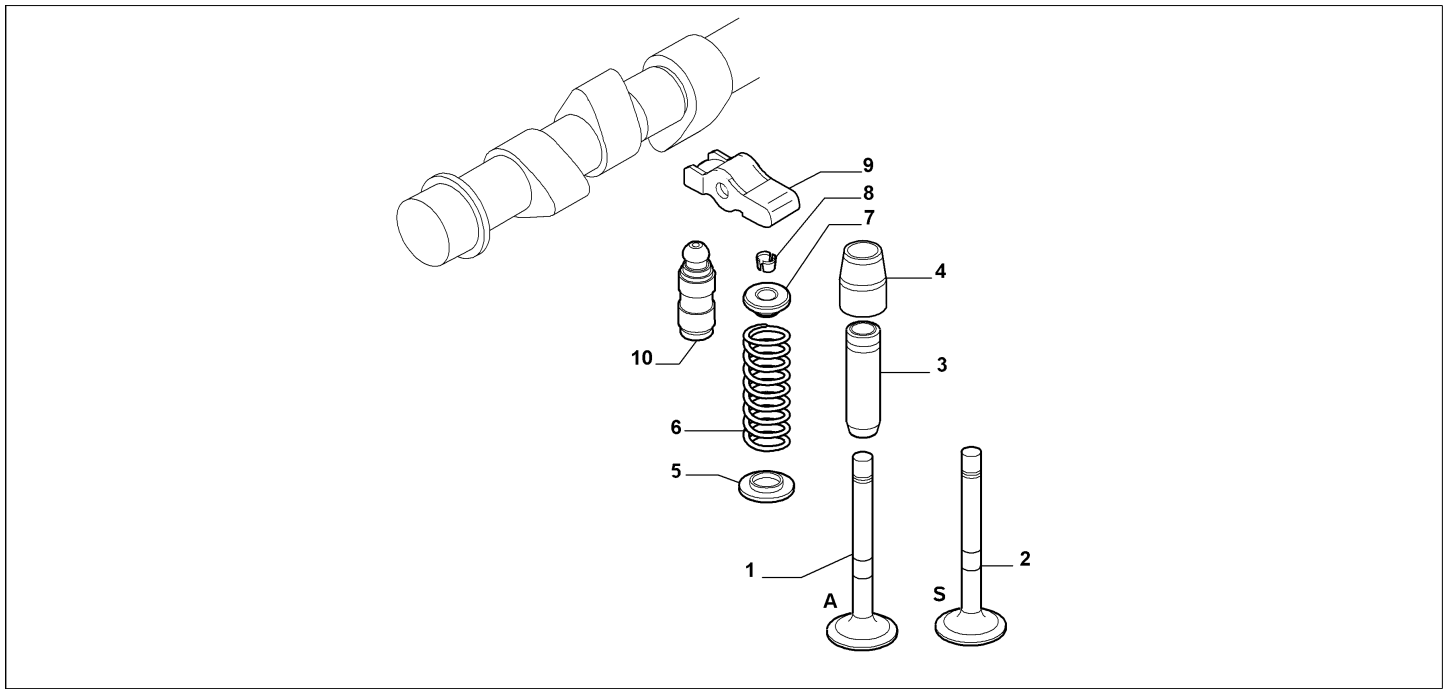
Catalogue	MITO 2008-2011	
Category	2.6 DISTRIBUTION	
Var.	01	1.3D + DIESEL + 90HP + EURO4
Rev.	00	



Part Num.	Description	Compatibility	Modif.	Qty	Notes	Col.	Reman.
1	46823507 CAMSHAFT, RH			01			
2	46823508 CAMSHAFT, LH			01			
3	55199707 GEAR, RH			01			
4	55199706 GEAR, LH			01			
5	46441027 SCREW, M12X33			02			

Legend	
1.3D	HORSE POWER (MARKET):1.3
DIESEL	FUEL:DIESEL
EURO4	ECOLOGY:EEC LIM. STAGE 4
90HP	POWER:1.3 SDE 90HP EURO4

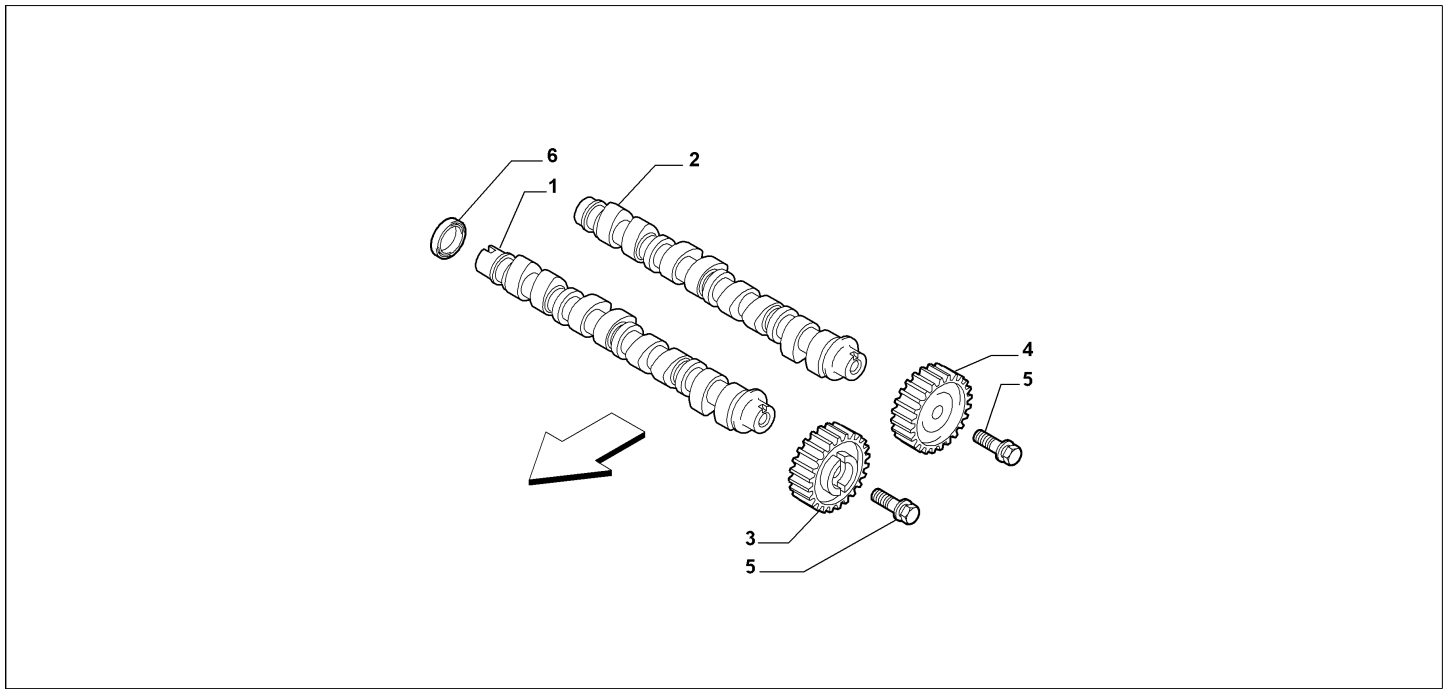
Catalogue	MITO 2008-2011	
Category	2.6 DISTRIBUTION	
Var.	02	1.3D + DIESEL + 90HP + EURO4
Rev.	00	



	Part Num.	Description	Compatibility	Modif.	Qty	Notes	Col.	Reman.
1	55219966	VALVE, ASP			08			
2	59116026	VALVE, SCAR			08			
3	46816601	VALVE GUIDE+0.05, +0,05			16			
3	46816602	VALVE GUIDE+0.1, +0,10			16			
3	46816604	VALVE GUIDE +0.25, +0,25			16			
4	46556651	SEAL			16			
5	46817524	CUP			16			
6	55262539	SPRING			16			
7	46514612	CUP			16			
8	14194670	SEMI-CONE TAPPETS			32			
9	73501138	ROCKER			16			
10 A	46475925	TAPPET			16			
10 A	6000100127	TAPPET			16			

Legend	
1.3D	HORSE POWER (MARKET):1.3
DIESEL	FUEL:DIESEL
EURO4	ECOLOGY:EEC LIM. STAGE 4
90HP	POWER:1.3 SDE 90HP EURO4

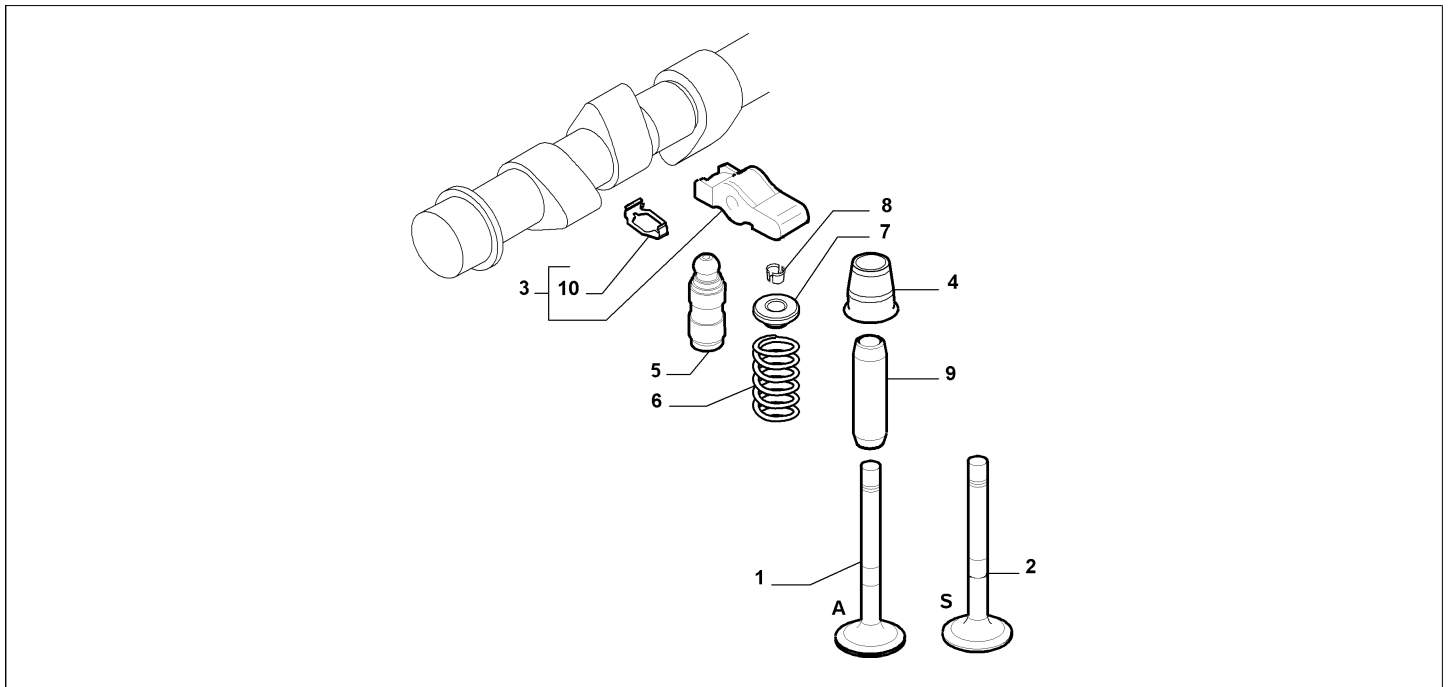
Catalogue	MITO 2008-2011	
Category	2.6 DISTRIBUTION	
Var.	01	1.6D
Rev.	00	



Part Num.	Description	Compatibility	Modif.	Qty	Notes	Col.	Reman.
1	73501374 CAMSHAFT, SCAR			01			
2	55206425 CAMSHAFT, SUCTION			01			
3	46811045 DRIVEN GEAR, SCAR			01			
4	46811044 DRIVEN GEAR, SUCTION			01			
5	46441027 SCREW, M12X33			02			
6	46802577 SEAL GASKET, 30X45X7			01			

Legend	
1.6D	HORSE POWER (MARKET):1598

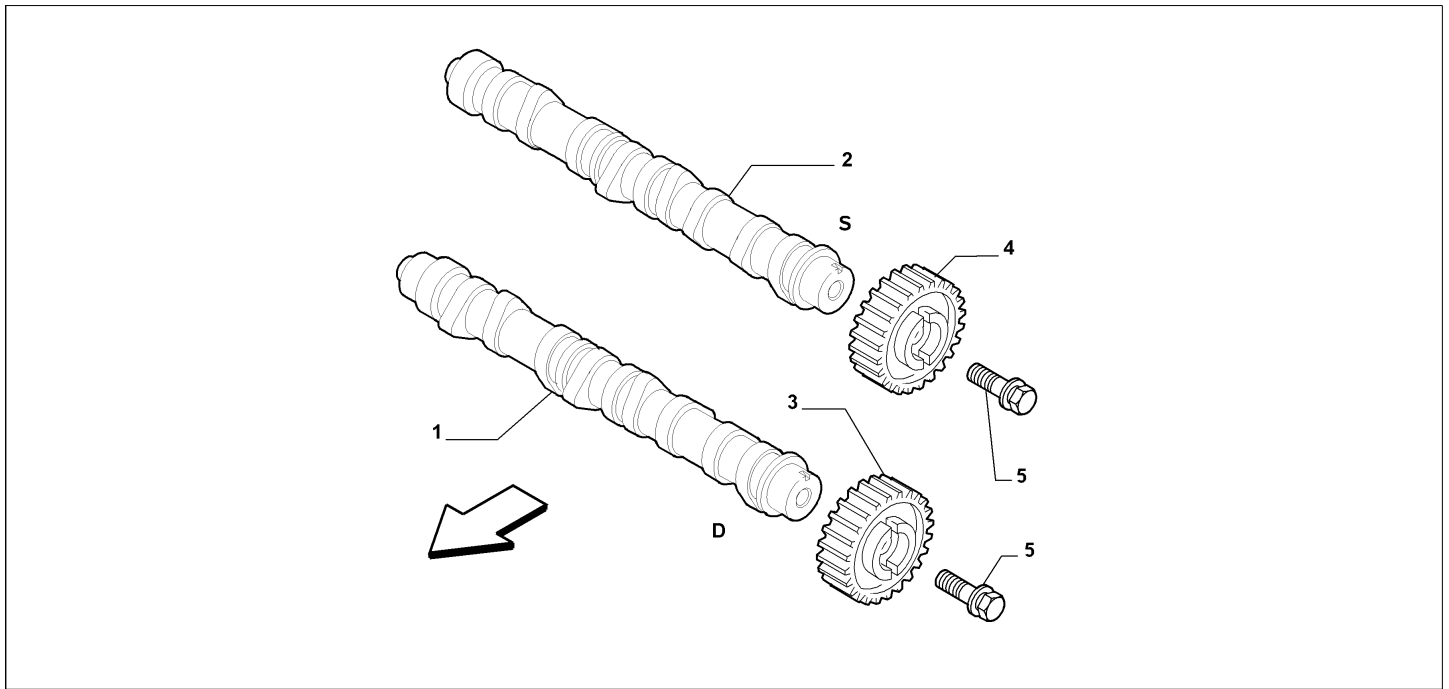
Catalogue	MITO 2008-2011	
Category	2.6 DISTRIBUTION	
Var.	02	1.6D
Rev.	00	



Part Num.	Description	Compatibility	Modif.	Qty	Notes	Col.	Reman.
1	55225891 INTAKE VALVE			08			
2	55207955 EXHAUST VALVE		C13303	08			
2	55220016 EXHAUST VALVE		D13303	08			
3 A	55186463 ROCKER			16			
3 A	6000100129 ROCKER			16			
4	55183812 SEAL			16			
5 A	46475925 TAPPET			16			
5 A	6000100127 TAPPET			16			
6	55204136 SPRING			16			
7	55183811 CUP			16			
8	10592470 SEMI-CONE TAPPETS			32			
9	55210015 VALVE GUIDE, +0,05			16			
9	55210016 VALVE GUIDE, +0,10			16			
9	55210017 VALVE GUIDE, +0,25			16			
10	71752906 SPRING			16			

Legend	
1.6D	HORSE POWER (MARKET):1598
13303	NEW EXHAUST VALVE AND NEW CYLINDER HEAD [DAT 15/05/2009]

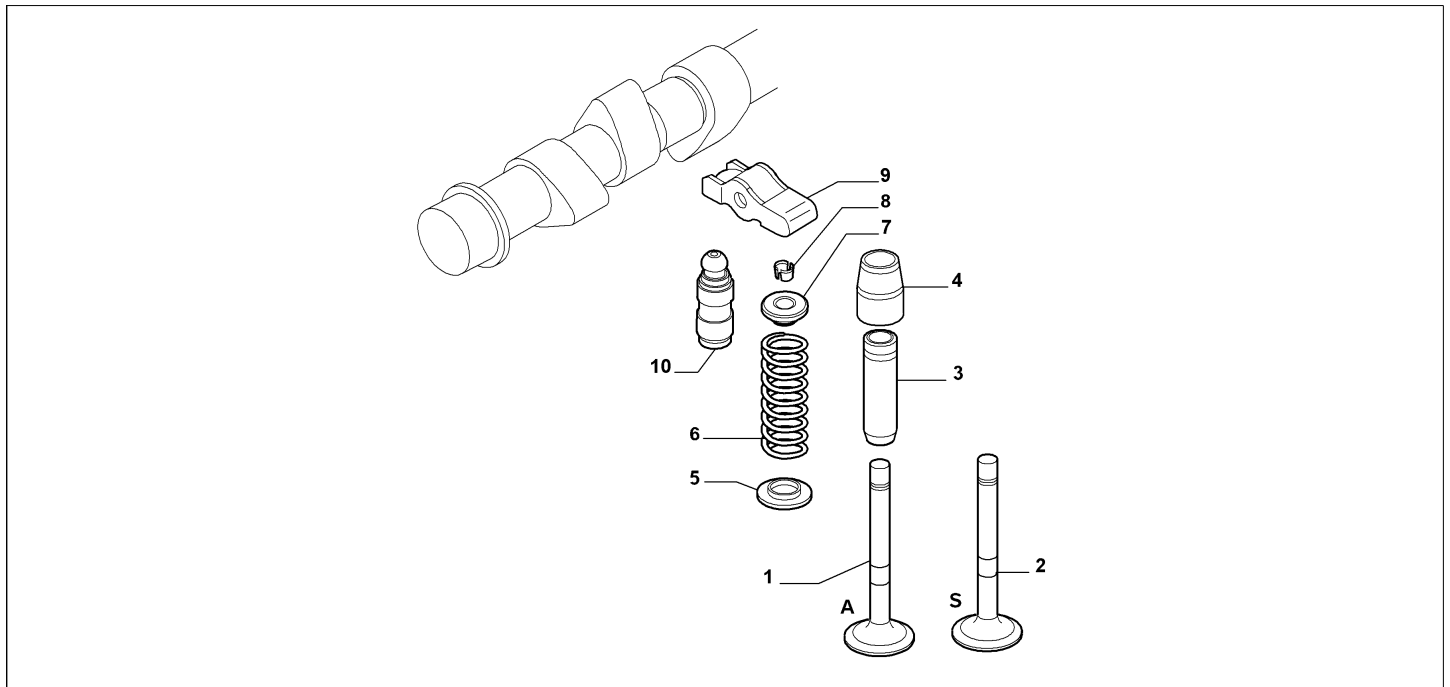
Catalogue	MITO 2008-2011	
Category	2.6 DISTRIBUTION	
Var.	01	1.3D + DIESEL + (95HP, 85HP) + EURO5
Rev.	00	



Part Num.	Description	Compatibility	Modif.	Qty	Notes	Col.	Reman.
1	55206897 CAMSHAFT, RH			01			
2	55206898 CAMSHAFT, LH			01			
3	55212083 GEAR, RH			01			
4	55212082 GEAR, LH			01			
5	46441027 SCREW, M12X33			02			

Legend	
1.3D	HORSE POWER (MARKET):1.3
DIESEL	FUEL:DIESEL
EURO5	ECOLOGY:LIM.ECC PHASE 5
85HP	POWER:1.3 SDE 85HP EURO5
95HP	POWER:95HP

Catalogue	MITO 2008-2011	
Category	2.6 DISTRIBUTION	
Var.	02	1.3D + DIESEL + (95HP, 85HP) + EURO5
Rev.	00	



Part Num.	Description	Compatibility	Modif.	Qty	Notes	Col.	Reman.
1	55204574 VALVE, ASP			08			
2	55270169 VALVE, SCAR			08			
3	46816601 VALVE GUIDE+0.05, +0,05			16			
3	46816602 VALVE GUIDE+0.1, +0,10			16			
3	46816604 VALVE GUIDE +0.25, +0,25			16			
4	46556651 SEAL			16			
5	46817524 CUP			16			
6	55262539 SPRING			16			
7	46514612 CUP			16			
8	14194670 SEMI-CONE TAPPETS			32			
9	73501138 ROCKER			16			
10 A	46475925 TAPPET			16			
10 A	6000100127 TAPPET			16			

Legend	
1.3D	HORSE POWER (MARKET):1.3
DIESEL	FUEL:DIESEL
EURO5	ECOLOGY:LIM.ECC PHASE 5
85HP	POWER:1.3 SDE 85HP EURO5
95HP	POWER:95HP