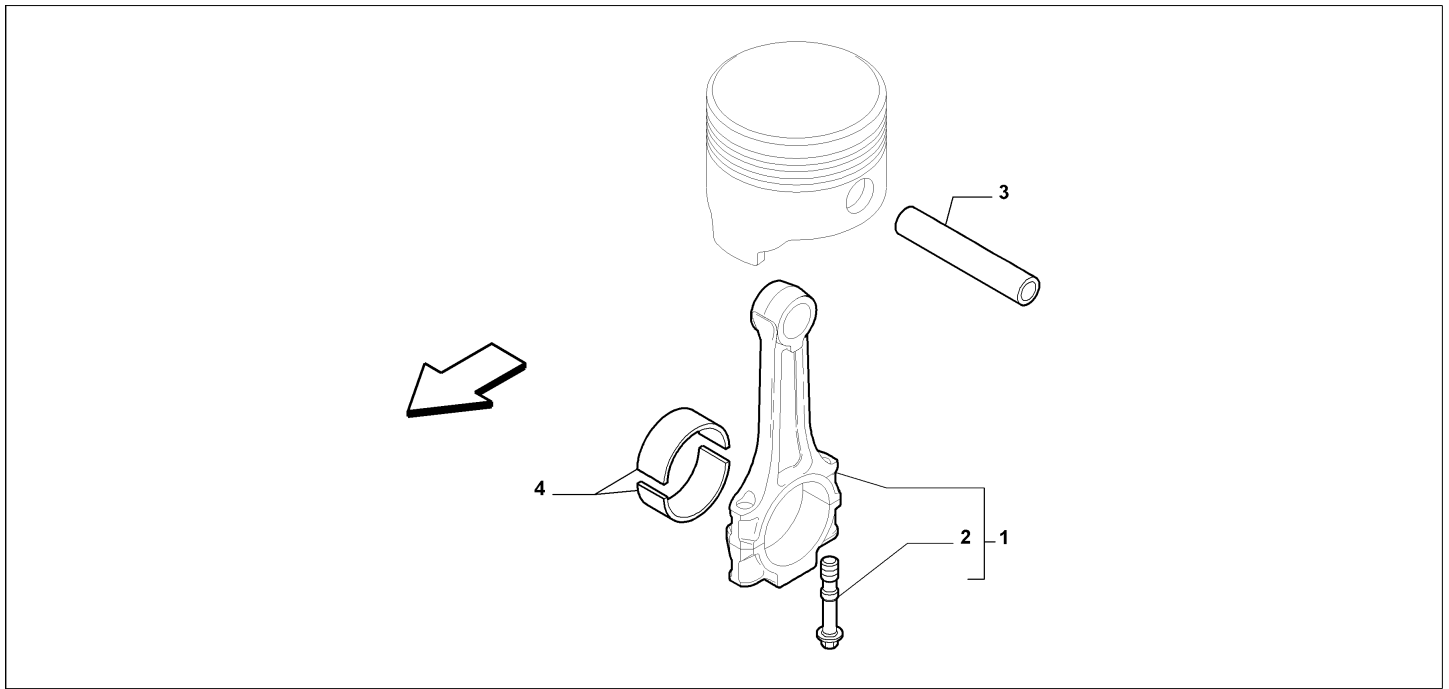


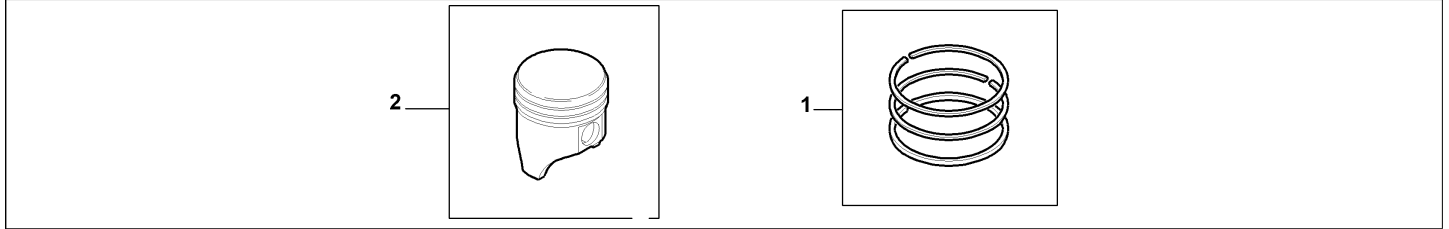
Catalogue	MITO 2008-2011	
Category	2.4 CONNECTING RODS AND PISTONS	
Var.	01	1.4 + PETROL + (78HP, 105HP)
Rev.	00	



	Part Num.	Description	Compatibility	Modif.	Qty	Notes	Col.	Reman.
1	A 55277579	CONNECTING ROD			04			
1	A 6000100133	CONNECTING ROD			04			
2	46747070	BOLT			08			
3	46740345	PISTON PIN			04			
4	55192670	BIG END SHELLS, -0,000			08			
4	46776773	HALF BEARING -0.127, -0,127			08			

Legend	
1.4	HORSE POWER (MARKET):1370
PETROL	FUEL:PETROL
78HP	POWER:1.4 FIRE 16V 78HP EURO5
105HP	POWER:1.4 FIRE 16V MULTIAIR 105HP (EURO 5)

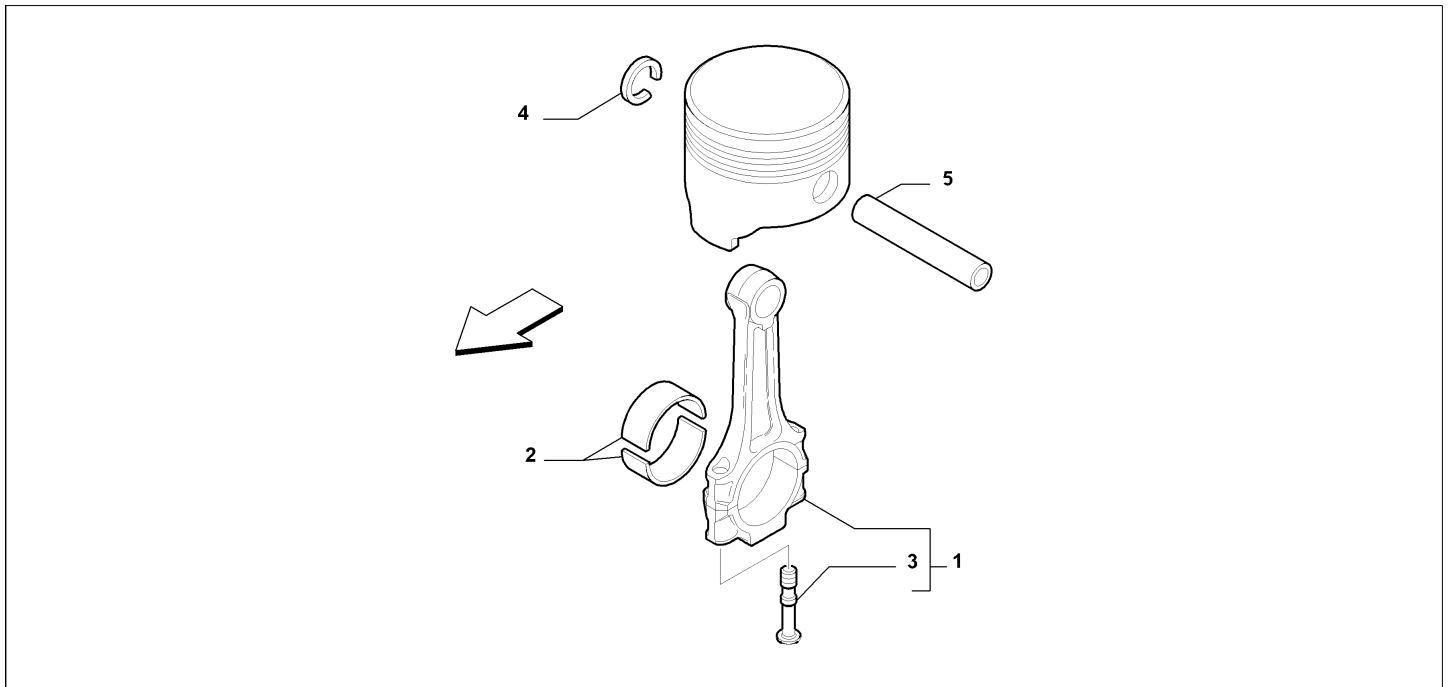
Catalogue	MITO 2008-2011	
Category	2.4 CONNECTING RODS AND PISTONS	
Var.	02	1.4 + PETROL + (78HP, 105HP)
Rev.	00	



Part Num.	Description	Compatibility	Modif.	Qty	Notes	Col.	Reman.
1	71732631	PISTON RINGS SET, +0,0		04			
1	71732632	RING SET +0.10, +0,1		04			
2	55196916	PISTON, RINGS A, CL.A	78HP	04			
2	55196918	PISTON, RINGS B, CL.B	78HP	04			
2	55196919	PISTON, RINGS C, CL.C	78HP	04			
2	55196920	PISTON +0.1, CL.A+0,1	78HP	04			
2	55196921	PISTON +0.1, CL.B+0,1	78HP	04			
2	55197154	PISTON +0.1, CL.C+0,1	78HP	04			
2	55272806	PISTON, RINGS A, CL.A	105HP	04			
2	55272807	PISTON, RINGS B, CL.B	105HP	04			
2	55272808	PISTON, RINGS C, CL.C	105HP	04			
2	55272809	PISTON +0.1, CL.A+0,1	105HP	04			
2	55272810	PISTON +0.1, CL.B+0,1	105HP	04			
2	55272811	C CLASS PISTON, CL.C+0,1	105HP	04			

Legend	
1.4	HORSE POWER (MARKET):1370
PETROL	FUEL:PETROL
78HP	POWER:1.4 FIRE 16V 78HP EURO5
105HP	POWER:1.4 FIRE 16V MULTIAIR 105HP (EURO 5)

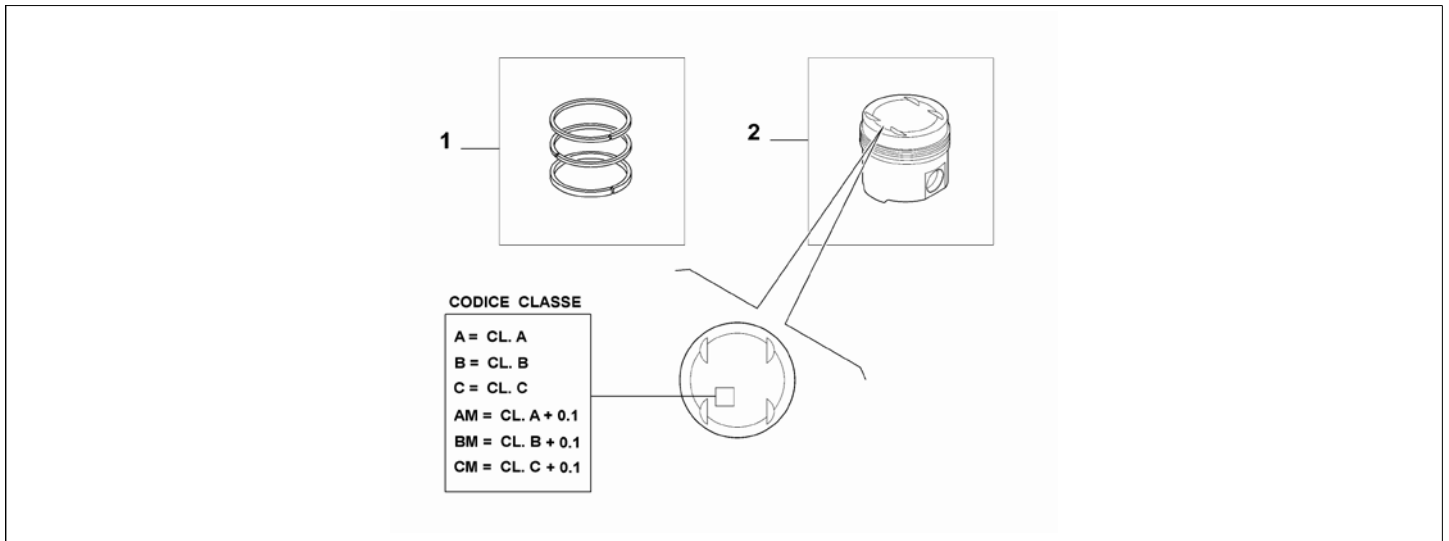
Catalogue	MITO 2008-2011	
Category	2.4 CONNECTING RODS AND PISTONS	
Var.	01	1.4 + 16V + PETROL + (155HP, 120HP)
Rev.	00	



Part Num.	Description	Compatibility	Modif.	Qty	Notes	Col.	Reman.
1	55208465 CONNECTING ROD			04			
2	55209528 BIG END SHELLS, -0,000			08			
2	55209530 BIG END SHELLS, -0,127			08			
3	46747070 BOLT			08			
4	55278646 RING			08			
5	55204421 PISTON PIN			04			

Legend	
1.4	HORSE POWER (MARKET):1370
PETROL	FUEL:PETROL
155HP	POWER:1.4 FIRE 16V TURBO 155HP (EURO 5)
120HP	POWER:120HP
16V	TOTAL NUMBER OF VALVES:16 VALVES

Catalogue	MITO 2008-2011	
Category	2.4 CONNECTING RODS AND PISTONS	
Var.	02	1.4 + 16V + PETROL + (155HP, 120HP)
Rev.	00	

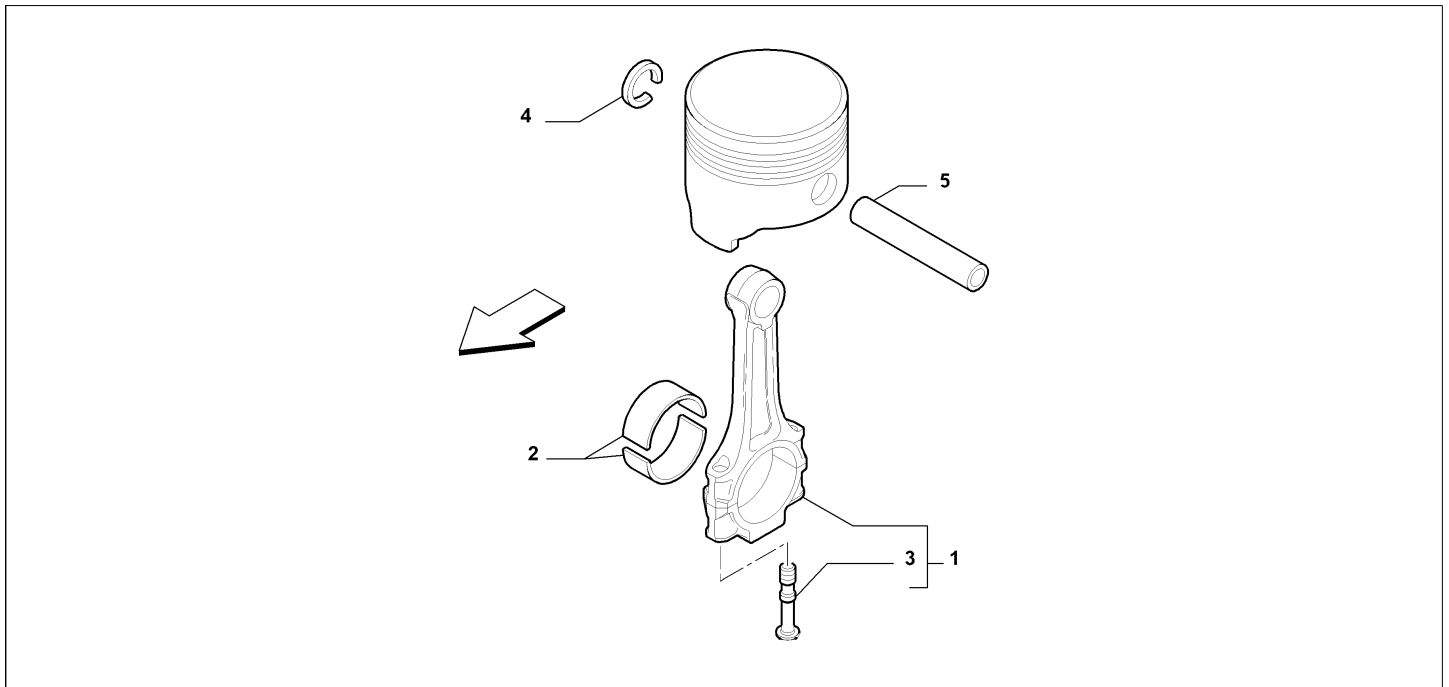


Part Num.	Description	Compatibility	Modif.	Qty	Notes	Col.	Reman.
1	71749111	PISTON RINGS SET, +0,0	120HP	C13249	04		
1	71753734	PISTON RINGS SET, +0,0	120HP	D13249	04		
1	71749111	PISTON RINGS SET, +0,0	155HP	C13249	04		
1	71753734	PISTON RINGS SET, +0,0	155HP	D13249	04		
1	71749112	RING SET +0.10, +0,1	120HP	C13249	04		
1	71753735	RING SET +0.10, +0,1	120HP	D13249	04		
1	71749112	RING SET +0.10, +0,1	155HP	C13249	04		
1	71753735	RING SET +0.10, +0,1	155HP	D13249	04		
2	55210597	PISTON, RINGS A, CL A	120HP	C13249	04		
2	55224128	PISTON, RINGS A, CL A	120HP	D13249	04		
2	55210597	PISTON, RINGS A, CL A	155HP	C13249	04		
2	55224128	PISTON, RINGS A, CL A	155HP	D13249	04		
2	55210598	PISTON, RINGS B, CL B	120HP	C13249	04		
2	55224130	PISTON, RINGS B, CL B	120HP	D13249	04		
2	55210598	PISTON, RINGS B, CL B	155HP	C13249	04		
2	55224130	PISTON, RINGS B, CL B	155HP	D13249	04		
2	55210599	PISTON, RINGS C, CL C	120HP	C13249	04		
2	55224132	PISTON, RINGS C, CL C	120HP	D13249	04		
2	55210599	PISTON, RINGS C, CL C	155HP	C13249	04		
2	55224132	PISTON, RINGS C, CL C	155HP	D13249	04		
2	55210600	PISTON +0.1, CL A+0,1	120HP	C13249	04		
2	55224134	PISTON +0.1, CL A+0,1	120HP	D13249	04		
2	55210600	PISTON +0.1, CL A+0,1	155HP	C13249	04		
2	55224134	PISTON +0.1, CL A+0,1	155HP	D13249	04		
2	55210601	PISTON +0.1, CL B+0,1	120HP	C13249	04		
2	55224145	PISTON +0.1, CL B+0,1	120HP	D13249	04		
2	55210601	PISTON +0.1, CL B+0,1	155HP	C13249	04		
2	55224145	PISTON +0.1, CL B+0,1	155HP	D13249	04		
2	55210602	PISTON +0.1, CL C+0,1	120HP	C13249	04		
2	55224147	PISTON +0.1, CL C+0,1	120HP	D13249	04		
2	55210602	PISTON +0.1, CL C+0,1	155HP	C13249	04		
2	55224147	PISTON +0.1, CL C+0,1	155HP	D13249	04		

<b>Legend</b>	
1.4	HORSE POWER (MARKET):1370

PETROL	FUEL:PETROL
155HP	POWER:1.4 FIRE 16V TURBO 155HP (EURO 5)
120HP	POWER:120HP
16V	TOTAL NUMBER OF VALVES:16 VALVES
13249	NEW PISTONS [DAT 01/02/2011]

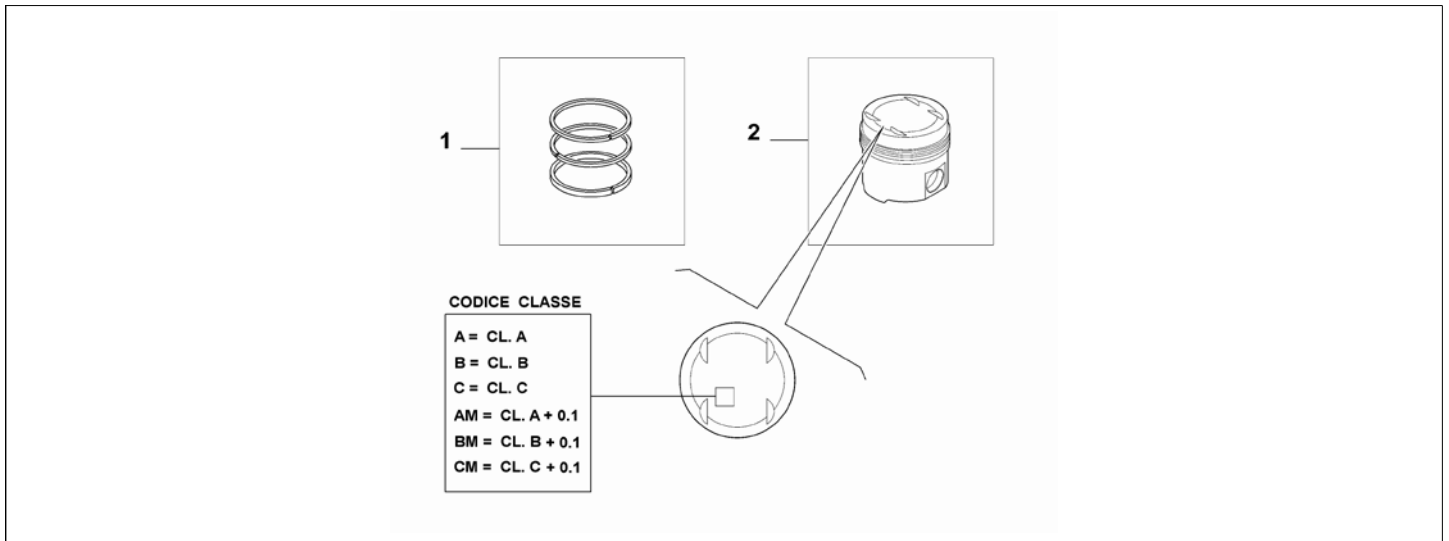
Catalogue	MITO 2008-2011	
Category	2.4 CONNECTING RODS AND PISTONS	
Var.	01	1.4 + 16V + PETROL + (135HP, 170HP)
Rev.	00	



Part Num.	Description	Compatibility	Modif.	Qty	Notes	Col.	Reman.
1	55208465	CONNECTING ROD		04			
2	55209528	BIG END SHELLS, -0,000		08			
2	55209530	BIG END SHELLS, -0,127		08			
3	46747070	BOLT		08			
4	55278646	RING		08			
5	55204421	PISTON PIN		04			

Legend	
1.4	HORSE POWER (MARKET):1370
PETROL	FUEL:PETROL
170HP	POWER:1.4 FIRE 16V TURBO MULTIAIR 170HP EURO 5
135HP	POWER:1.4 FIRE 16V TURBO MULTIAIR 135 HP EURO 5
16V	TOTAL NUMBER OF VALVES:16 VALVES

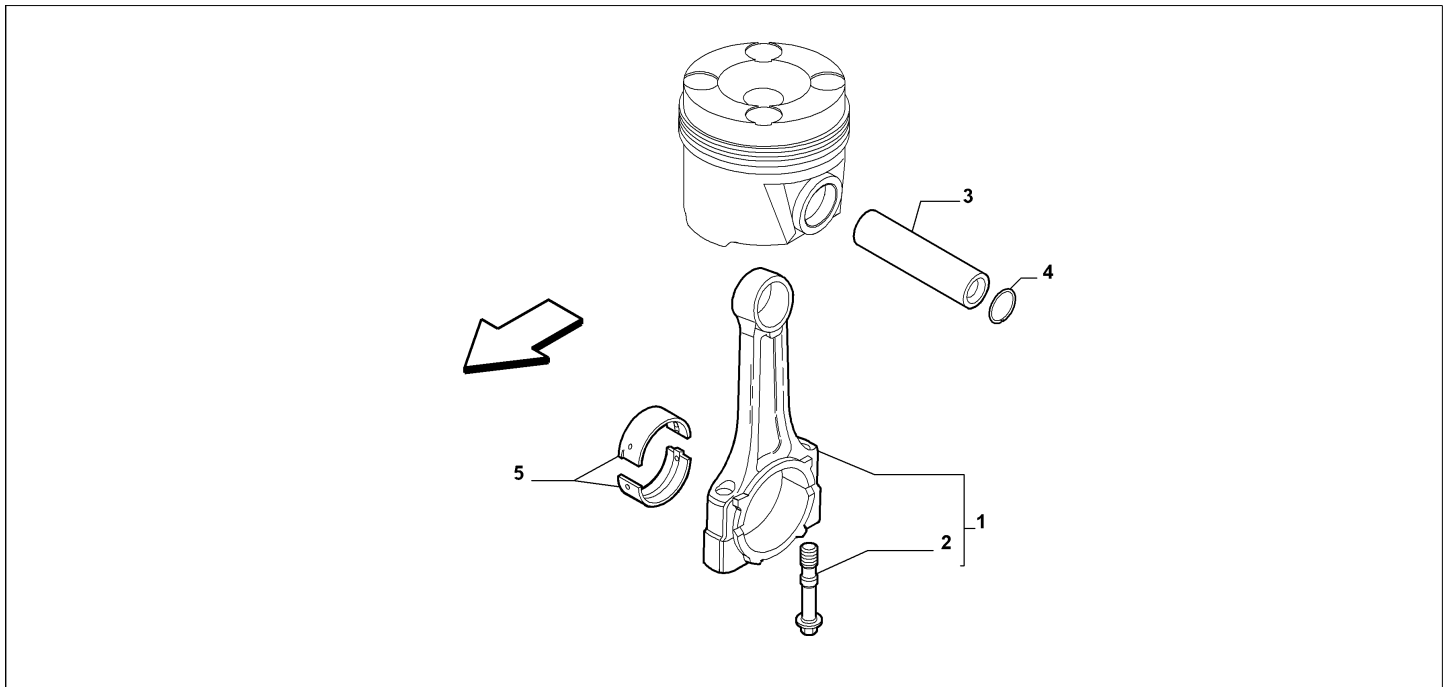
Catalogue	MITO 2008-2011	
Category	2.4 CONNECTING RODS AND PISTONS	
Var.	02	1.4 + 16V + PETROL + (135HP, 170HP)
Rev.	00	



Part Num.	Description	Compatibility	Modif.	Qty	Notes	Col.	Reman.
1	71753734	PISTON RINGS SET, +0,0		04			
1	71753735	RING SET +0.10, +0,1		04			
2	55224149	PISTON, RINGS A, CL A		04			
2	55224151	PISTON, RINGS B, CL B		04			
2	55224155	PISTON, RINGS C, CL C		04			
2	55224157	PISTON +0.1, CL A+,1		04			
2	55224159	PISTON +0.1, CL B+,1		04			
2	55224161	PISTON +0.1, CL C+,1		04			

Legend	
1.4	HORSE POWER (MARKET):1370
PETROL	FUEL:PETROL
170HP	POWER:1.4 FIRE 16V TURBO MULTIAIR 170HP EURO 5
135HP	POWER:1.4 FIRE 16V TURBO MULTIAIR 135 HP EURO 5
16V	TOTAL NUMBER OF VALVES:16 VALVES

Catalogue	MITO 2008-2011	
Category	2.4 CONNECTING RODS AND PISTONS	
Var.	01	1.3D + DIESEL + 90HP + EURO4
Rev.	00	

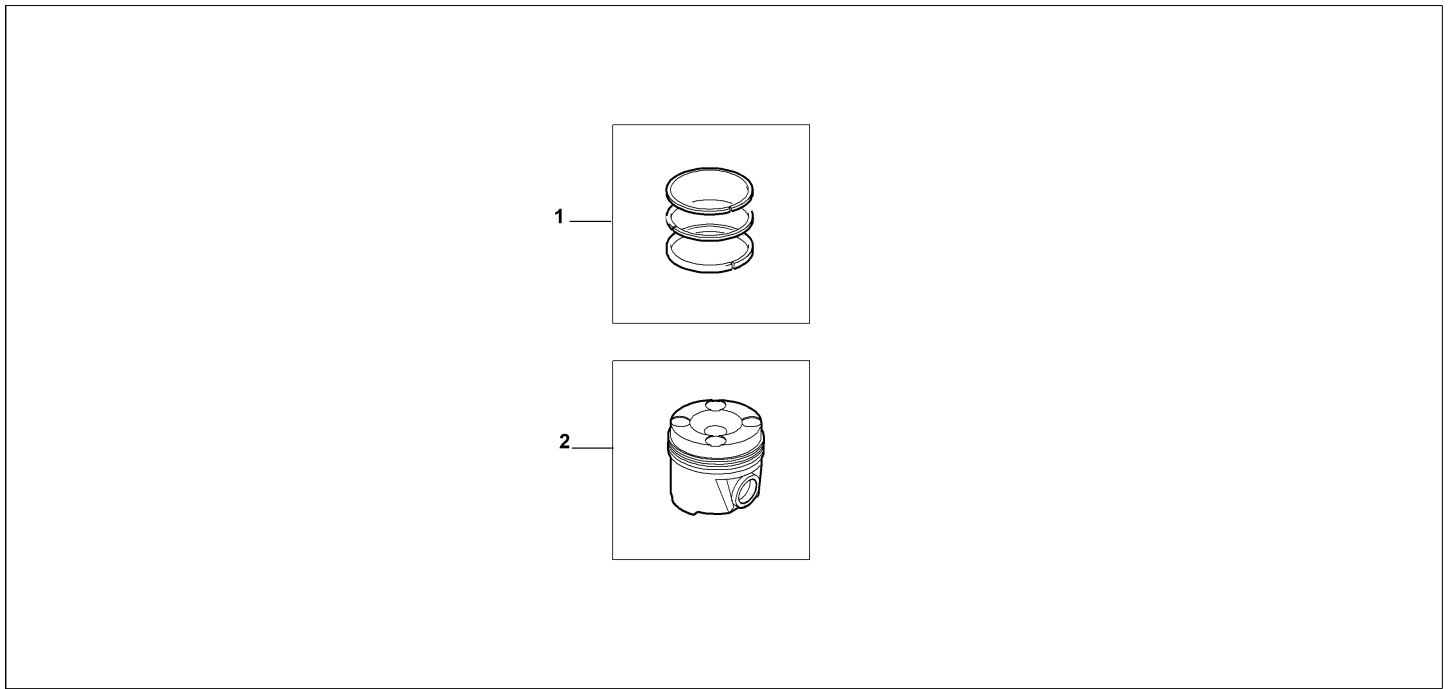


Part Num.	Description	Compatibility	Modif.	Qty	Notes	Col.	Reman.
1	55208624 CONNECTING ROD, COMPL			04			
2	46747070 BOLT			08			
3	73500468 PISTON PIN			04			
4	46782798 RETAINER			08			
5	71754218 HALF BEARING COUPLE, -0,000			04		COL-AN1	
5	71754219 HALF BEARING COUPLE, -0,000			04		COL-BN2	
5	71754220 HALF-BEAR. TOR.-0,127, -0,127			04		COL-AM6	
5	71754221 HALF-BEAR. TOR.-0,127, -0,127			04		COL-BM7	

Legend	
1.3D	HORSE POWER (MARKET):1.3
DIESEL	FUEL:DIESEL
EURO4	ECOLOGY:EEC LIM. STAGE 4
90HP	POWER:1.3 SDE 90HP EURO4
COL-AM6	BROWN
COL-AN1	RED
COL-BM7	GREEN
COL-BN2	BLUE



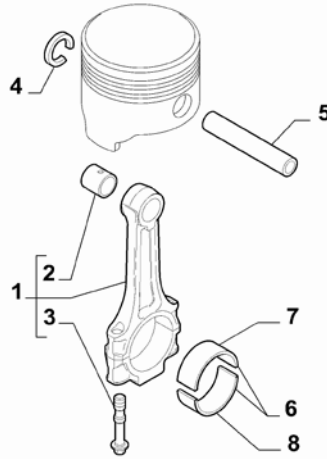
Catalogue	MITO 2008-2011	
Category	2.4 CONNECTING RODS AND PISTONS	
Var.	02	1.3D + DIESEL + 90HP + EURO4
Rev.	00	



Part Num.	Description	Compatibility	Modif.	Qty	Notes	Col.	Reman.
1	71752645	PISTON RINGS SET, +0,0		04			
1	71752646	RING SET +0.10, +0,1		04			
1	71752647	RING SET +0.4, +0,4		04			
2	55197996	PISTON, RINGS A, CLASSE A		04			
2	55197998	PISTON, RINGS B, CLASSE B		04			
2	55198000	PISTON, RINGS C, CLASSE C		04			
2	71748393	PISTON PIVOT RING +0.4, +0,4		04			
2	55198002	PISTON +0,1 CL.A, CL.A+0,1		04			
2	55198004	PISTON +0,1 CL.B, CL.B+0,1		04			
2	55198006	PISTON +0,1 CL.C, CL.C+0,1		04			

Legend	
1.3D	HORSE POWER (MARKET):1.3
DIESEL	FUEL:DIESEL
EURO4	ECOLOGY:EEC LIM. STAGE 4
90HP	POWER:1.3 SDE 90HP EURO4

Catalogue	MITO 2008-2011	
Category	2.4 CONNECTING RODS AND PISTONS	
Var.	01	1.6D
Rev.	00	

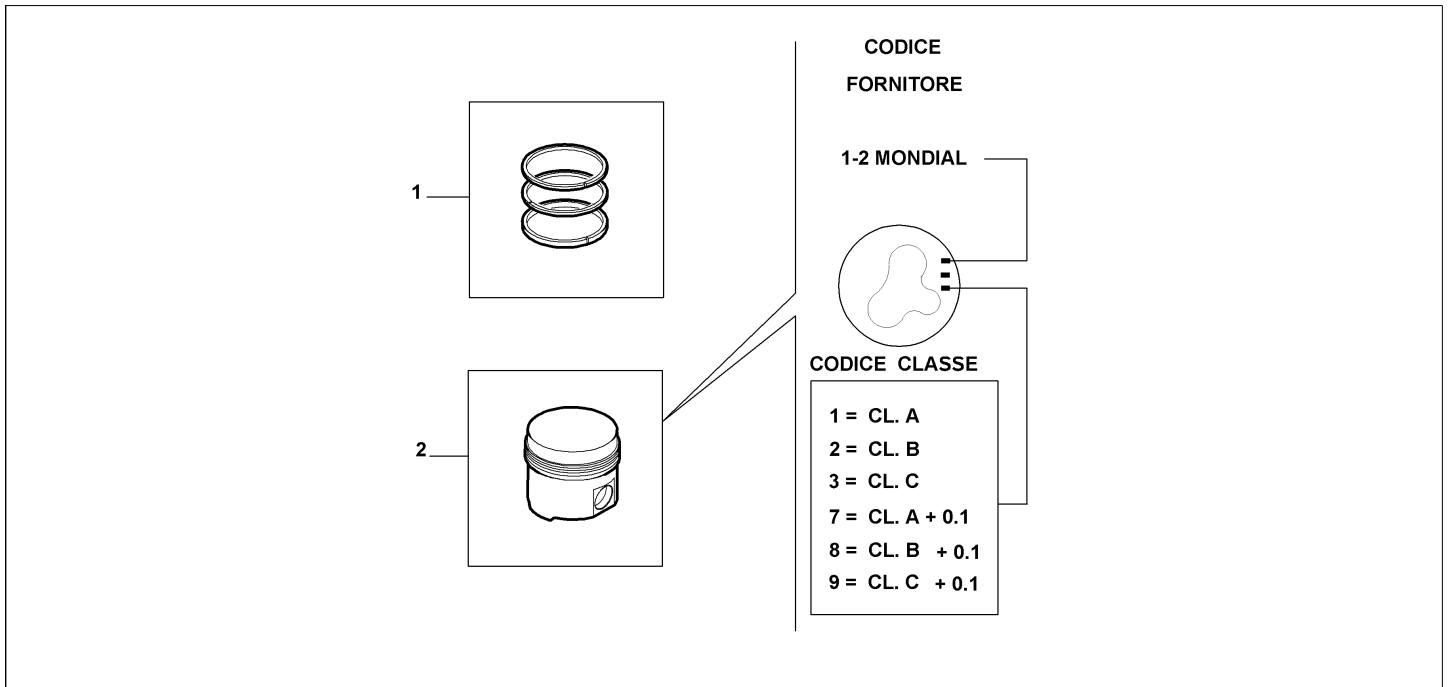


Part Num.	Description	Compatibility	Modif.	Qty	Notes	Col.	Reman.
1	55202821	CONNECTING ROD, COMPLETE	C13931	04			
1	55228871	CONNECTING ROD, COMPLETE	D13931	04			
2	55201616	BUSH	C13931	04			
2	55228870	BUSH	D13931	04			
3	46410834	BOLT		08			
4	55206741	LOCKRING		08			
5	55270469	PISTON PIN		04			
6	71753021	HALF BEARING COUPLE, AN1 RED SP.1.538-1.542	C14585	04		COL-AN1	
6	71753022	HALF BEARING COUPLE, BN2 BLUE SP.1.541-1.545	C14585	04			
6	71753023	HALF BEARING COUPLE, CN3 YELLOW SP.1.544-1.548	C14585	04		COL-CN3	
6	71753024	HALF BEARING COUPLE, AM6 BROWN SP.1.602-1.606	C14585	04		COL-AM6	
6	71753025	HALF BEARING COUPLE, BM7 GREEN SP.1.605-1.609	C14585	04		COL-BM7	
6	71753026	HALF BEARING COUPLE, CM8 BLACK SP.1.608 - 1.612	C14585	04		COL-CM8	
7	55231431	BIG END SHELLS, AN1 RED SP.1.538-1.542	D14585	04			
7	55231432	BIG END SHELLS, BN2 BLUE SP.1.541-1.545	D14585	04			
7	55231433	BIG END SHELLS, CN3 YELLOW SP.1.544-1.548	D14585	04			
7	55231609	BIG END SHELLS, AM6 BROWN SP.1.602-1.606	D14585	04			
7	55231435	BIG END SHELLS, BM7 GREEN SP.1.605-1.609	D14585	04			
7	55231436	BIG END SHELLS, CM8 BLACK SP.1.608 - 1.612	D14585	04			
8	55231439	BIG END SHELLS, AN1 RED SP.1.538-1.542	D14585	04			
8	55231440	BIG END SHELLS, BN2 BLUE SP.1.541-1.545	D14585	04			

8	55231441	BIG END SHELLS, CN3 YELLOW SP.1,544-1,548		D14585	04			
8	55231442	BIG END SHELLS, AM6 BROWN SP.1,602-1,606		D14585	04			
8	55231443	BIG END SHELLS, BM7 GREEN SP.1,605-1,609		D14585	04			
8	55231444	BIG END SHELLS, CM8 BLACK SP.1,608 - 1.612		D14585	04			

Legend	
1.6D	HORSE POWER (MARKET):1598
13931	New connecting rods and new bushes [DAT 01/07/2009]
14585	NEW CRANKSHAFT WITH HALF-BEARINGS [DAT 01/12/2010]
COL-AM6	BROWN
COL-AN1	RED
COL-BM7	GREEN
COL-CM8	BLACK
COL-CN3	YELLOW

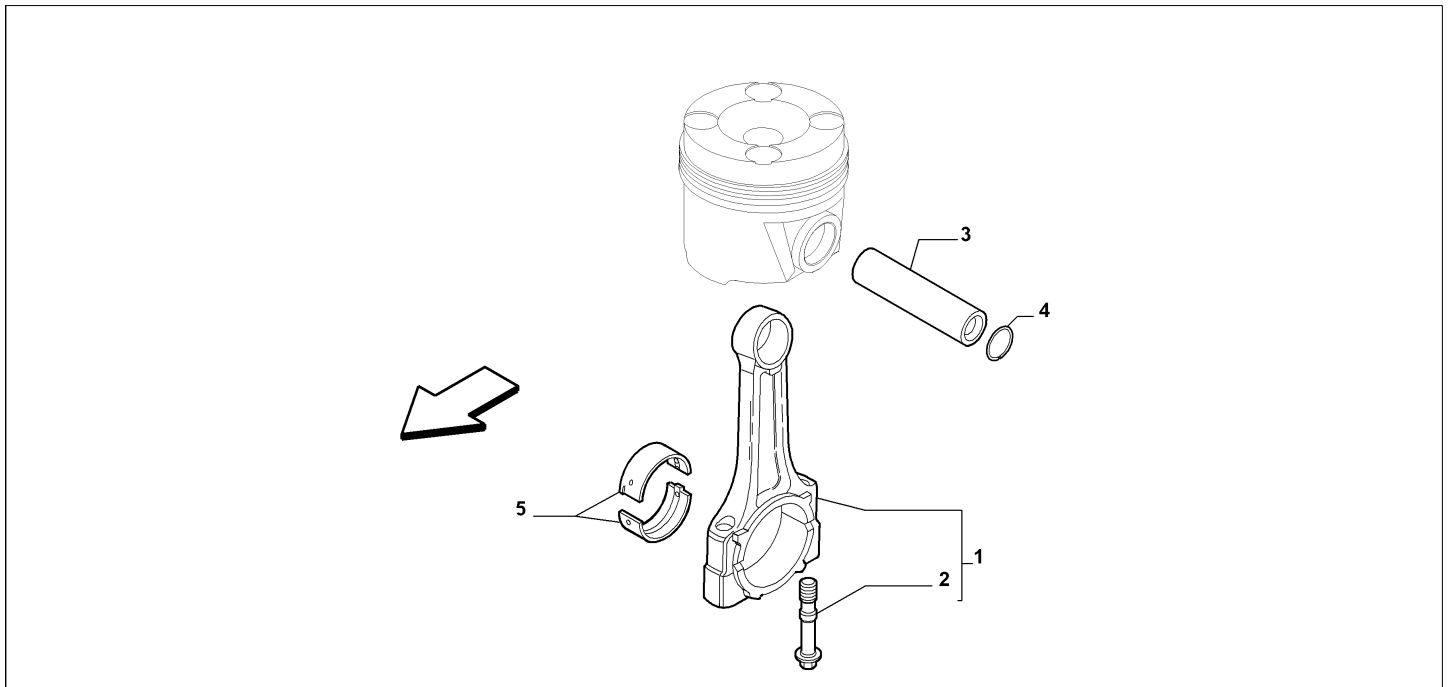
Catalogue	MITO 2008-2011	
Category	2.4 CONNECTING RODS AND PISTONS	
Var.	02	1.6D
Rev.	00	



Part Num.	Description	Compatibility	Modif.	Qty	Notes	Col.	Reman.
1	71749467 PISTON RINGS SET, +0,0			04			
1	71749468 RING SET +0.10, +0,1			04			
1	71749469 RING SET +0.4, +0,4			04			
2	55237737 PISTON, RINGS A, CL.A MONDIAL			04			
2	55237738 PISTON, RINGS B, CL.B MONDIAL			04			
2	55237739 PISTON, RINGS C, CL.C MONDIAL			04			
2	55237740 PISTON +0.1, CL.A+0,1 MOND.			04			
2	55237741 PISTON +0.1, CL.B+0,1 MOND.			04			
2	55237742 PISTON +0.1, CL.C+0,1 MOND.			04			
2	55216551 PISTON PIVOT RING +0.4, +0,4 Federal Mogul			04			

Legend	
1.6D	HORSE POWER (MARKET):1598

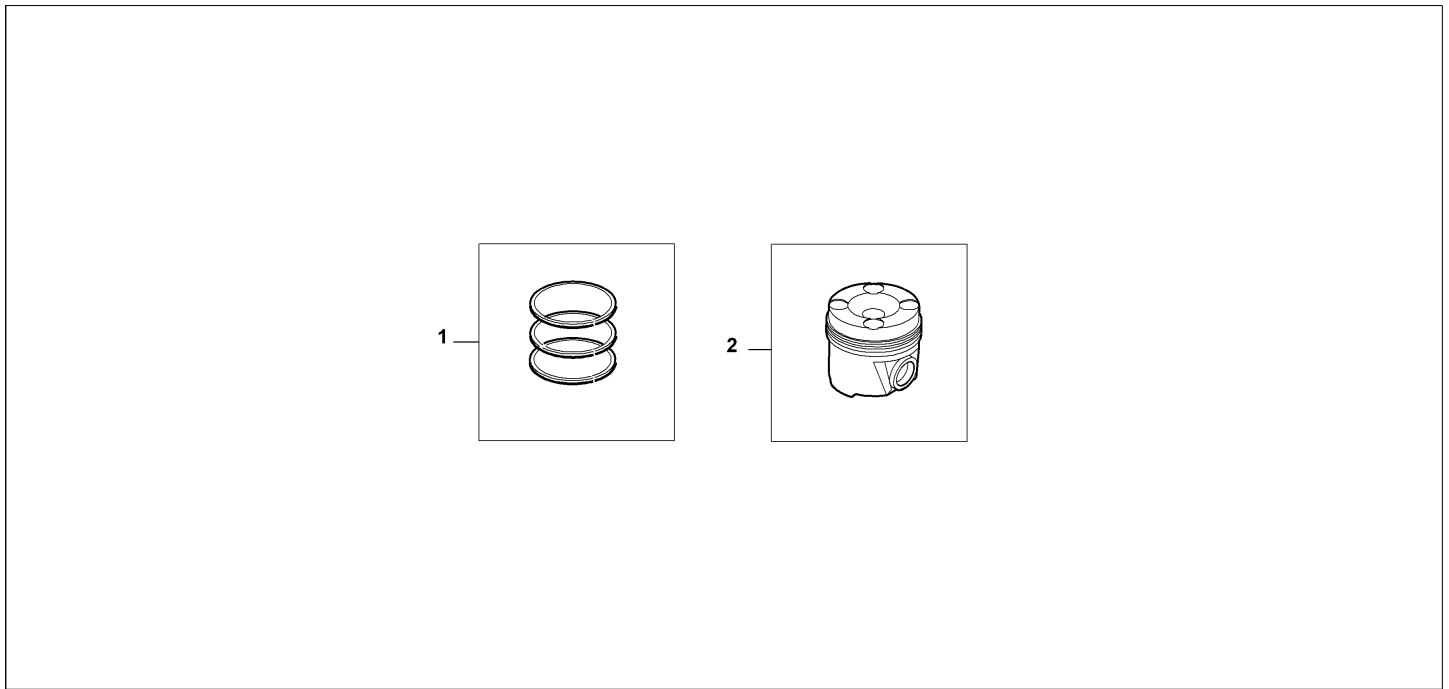
Catalogue	MITO 2008-2011	
Category	2.4 CONNECTING RODS AND PISTONS	
Var.	01	1.3D + DIESEL + (95HP, 85HP) + EURO5
Rev.	00	



Part Num.	Description	Compatibility	Modif.	Qty	Notes	Col.	Reman.
1	55208624	CONNECTING ROD, COMPL		04			
2	46747070	BOLT		08			
3	73500468	PISTON PIN		04			
4	46782798	RETAINER		08			
5	71754218	HALF BEARING COUPLE, -0,000		04		COL-060	
5	71754219	HALF BEARING COUPLE, -0,000		04		COL-014	
5	71754220	HALF-BEAR. TOR.-0,127, -0,127		04		COL-040	
5	71754221	HALF-BEAR. TOR.-0,127, -0,127		04		COL-080	

Legend	
1.3D	HORSE POWER (MARKET):1.3
DIESEL	FUEL:DIESEL
EURO5	ECOLOGY:LIM.ECC PHASE 5
85HP	POWER:1.3 SDE 85HP EURO5
95HP	POWER:95HP
COL-014	BLUE
COL-040	BROWN
COL-060	RED
COL-080	GREEN

Catalogue	MITO 2008-2011	
Category	2.4 CONNECTING RODS AND PISTONS	
Var.	02	1.3D + DIESEL + (95HP, 85HP) + EURO5
Rev.	00	



Part Num.	Description	Compatibility	Modif.	Qty	Notes	Col.	Reman.
1	71749353	PISTON RINGS SET, +0,0		04			
1	71749355	RING SET +0.4, +0,4		04			
1	71749354	RING SET +0.10, +0,1		04			
2	55229807	PISTON, RINGS A, CLASSE A		04			
2	55229809	PISTON, RINGS B, CLASSE B		04			
2	55229811	PISTON, RINGS C, CLASSE C		04			
2	55229819	PISTON PIVOT RING +0.4, +0,4		04			
2	55229813	PISTON, RINGS A, CLASSE A +0,1		04			
2	55229815	PISTON, RINGS B, CLASSE B +0,1		04			
2	55229817	PISTON, RINGS C, CLASSE C +0,1		04			

Legend	
1.3D	HORSE POWER (MARKET):1.3
DIESEL	FUEL:DIESEL
EURO5	ECOLOGY:LIM.ECC PHASE 5
85HP	POWER:1.3 SDE 85HP EURO5
95HP	POWER:95HP