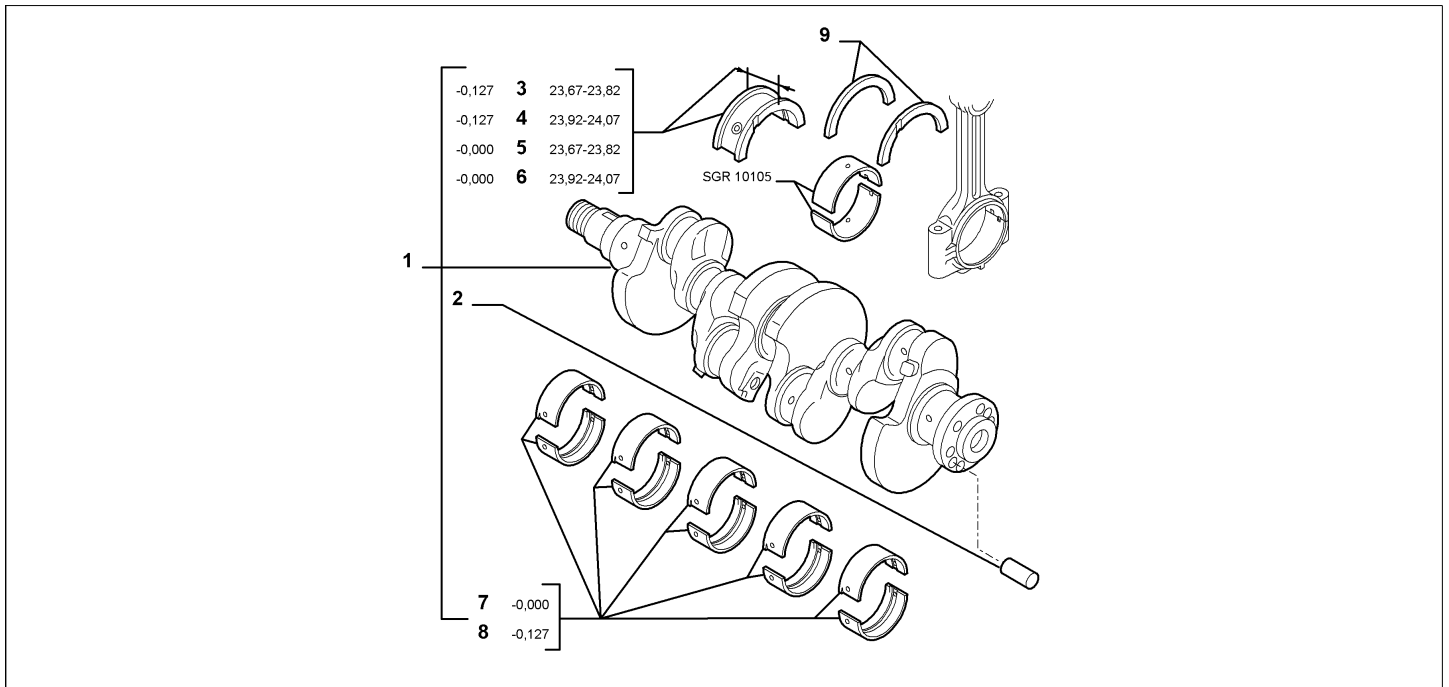


Catalogue	MITO 2008-2011	
Category	2.3 CRANKSHAFT AND FLYWHEEL	
Var.	01	1.4 + PETROL + (78HP, 105HP, 120HP, 155HP, 135HP, 170HP)
Rev.	00	

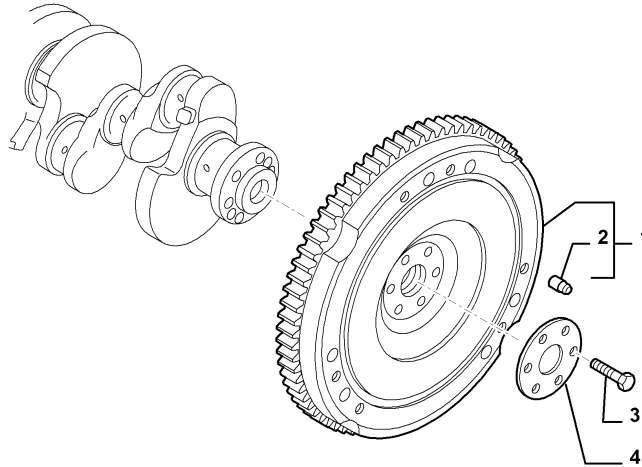


Part Num.	Description	Compatibility	Modif.	Qty	Notes	Col.	Reman.
1	71732627	CRANKSHAFT WITH HALF-BEARINGS, COMPL	78HP, 105HP		01		71783582
1	71749110	CRANKSHAFT WITH HALF-BEARINGS, COMPL	120HP, 155HP, 135HP, 170HP		01		71797050
2	55266005	DOWEL			01		
3	46459601	HALF BEARING -0.127, SP=1,899-1,903			01	COL-AN1	
3	46772223	HALF BEARING -0.127, SP=1,906-1,910			01	COL-BN2	
3	46772224	HALF BEARING -0.127, SP=1,911-1,915			01	COL-CN3	
4	46459603	HALF BEARING -0.127, SP=1,899-1,903			01	COL-AN1	
4	46772227	HALF BEARING -0.127, SP=1,906-1,910			01	COL-BN2	
4	46772228	HALF BEARING -0.127, SP=1,911-1,915			01	COL-CN3	
5	46459600	BIG END SHELLS, SP=1,836-1,840			01	COL-AN1	
5	46772221	BIG END SHELLS, SP=1,843-1,847			01	COL-BN2	
5	46772222	BIG END SHELLS, SP=1,848-1,852			01	COL-CN3	
6	46459602	BIG END SHELLS, SP=1,836-1,840			01	COL-AN1	
6	46772225	BIG END SHELLS, SP=1,843-1,847			01	COL-BN2	
6	46772226	BIG END SHELLS, SP=1,848-1,852			01	COL-CN3	
7	71731844	HALF BEARING COUPLE, SP=1,836-1,840			05	COL-AN1	

7	71731845	HALF BEARING COUPLE, SP=1,843-1,847		05		COL-BN2	
7	71731846	HALF BEARING COUPLE, SP=1,848-1,852		05		COL-CN3	
8	71731847	HALF-BEAR. TOR.-0,127, SP=1,899-1,903		05		COL-AN1	
8	71731848	HALF-BEAR. TOR.-0,127, SP=1,906-1,910		05		COL-BN2	
8	71731849	HALF-BEAR. TOR.-0,127, SP=1,911-1,915		05		COL-CN3	
9	6000626631	SET OF HALF RINGS, +0,000		01			
9	6000626632	SET OF HALF RINGS, +0,127		01			

Legend	
1.4	HORSE POWER (MARKET):1370
PETROL	FUEL:PETROL
155HP	POWER:1.4 FIRE 16V TURBO 155HP (EURO 5)
170HP	POWER:1.4 FIRE 16V TURBO MULTIAIR 170HP EURO 5
78HP	POWER:1.4 FIRE 16V 78HP EURO5
105HP	POWER:1.4 FIRE 16V MULTIAIR 105HP (EURO 5)
120HP	POWER:120HP
135HP	POWER:1.4 FIRE 16V TURBO MULTIAIR 135 HP EURO 5
COL-AN1	RED
COL-BN2	BLUE
COL-CN3	YELLOW

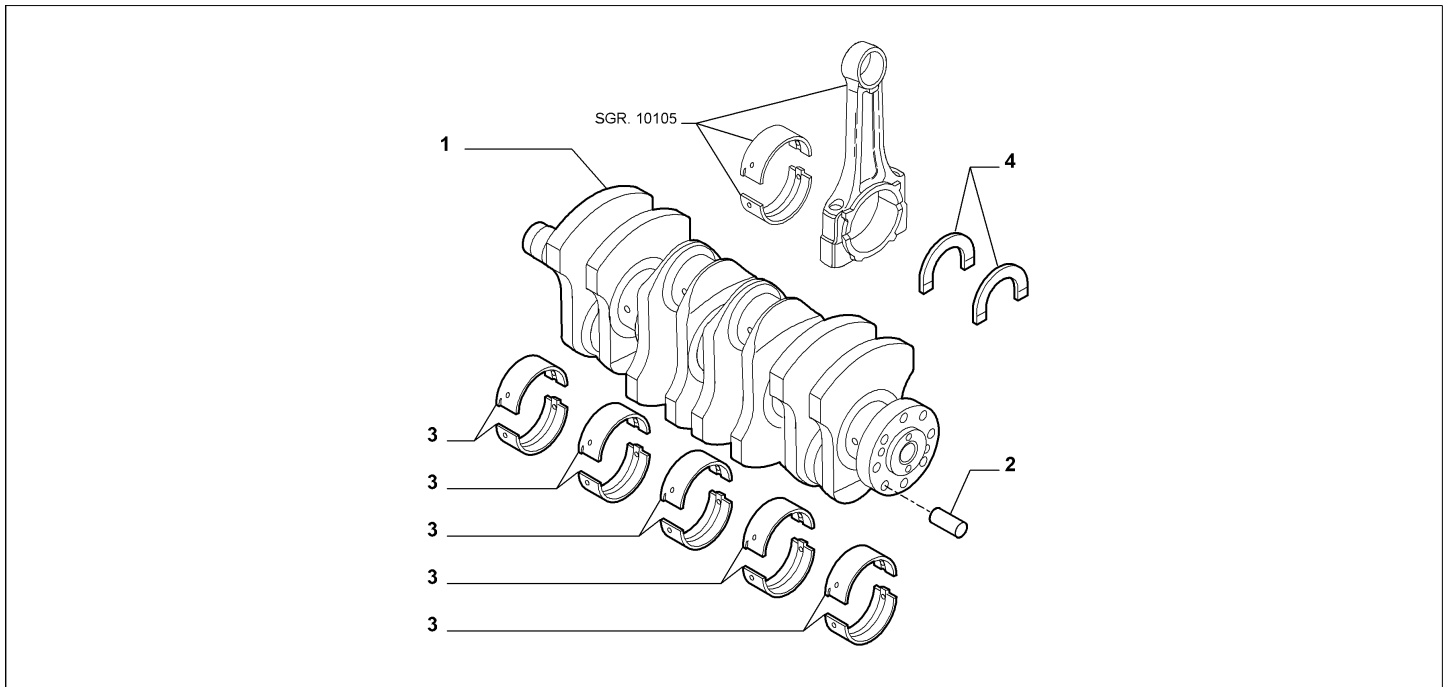
Catalogue	MITO 2008-2011	
Category	2.3 CRANKSHAFT AND FLYWHEEL	
Var.	02	1.4 + PETROL + (78HP, 105HP, 120HP, 155HP, 135HP, 170HP)
Rev.	00	



Part Num.	Description	Compatibility	Modif.	Qty	Notes	Col.	Reman.
1	46746600	FLYWHEEL, COMPL	78HP	01			71787826
1	55214825	FLYWHEEL, COMPL	105HP	01			
1	55217579	FLYWHEEL, COMPL	120HP, 155HP	C13945	01		71793547
1	55219903	FLYWHEEL	120HP, 155HP	D13945	01		71724279
1	55219903	FLYWHEEL, COMPL	135HP+TCT		01		71724279
1	55229774	FLYWHEEL, COMPL	135HP+TCT	C14719	01		
1	55232911	FLYWHEEL	135HP+TCT	D14719, C17358	01		71795081
1	55243780	FLYWHEEL	135HP+TCT	D17358	01		71795085
1	55219969	FLYWHEEL, COMPL	170HP		01		
2	4111201	DOWEL	78HP, 105HP		03		
3	55211902	SCREW	78HP, 105HP		06		
3	55209531	SCREW	120HP, 155HP, 135HP, 170HP		06		
3	55231630	SCREW	TCT		06		
4	46515721	PLANE WASHER	78HP, 105HP		01		

Legend	
TCT	SPECIFIC GEARBOX
1.4	HORSE POWER (MARKET):1370
PETROL	FUEL:PETROL
155HP	POWER:1.4 FIRE 16V TURBO 155HP (EURO 5)
170HP	POWER:1.4 FIRE 16V TURBO MULTIAIR 170HP EURO 5
78HP	POWER:1.4 FIRE 16V 78HP EURO5
105HP	POWER:1.4 FIRE 16V MULTIAIR 105HP (EURO 5)
120HP	POWER:120HP
135HP	POWER:1.4 FIRE 16V TURBO MULTIAIR 135 HP EURO 5
13945	New engine flywheel [DAT 01/02/2010]
14719	New flywheel [DAT 03/01/2011]
17358	new flywheel [DAT 02/10/2013]

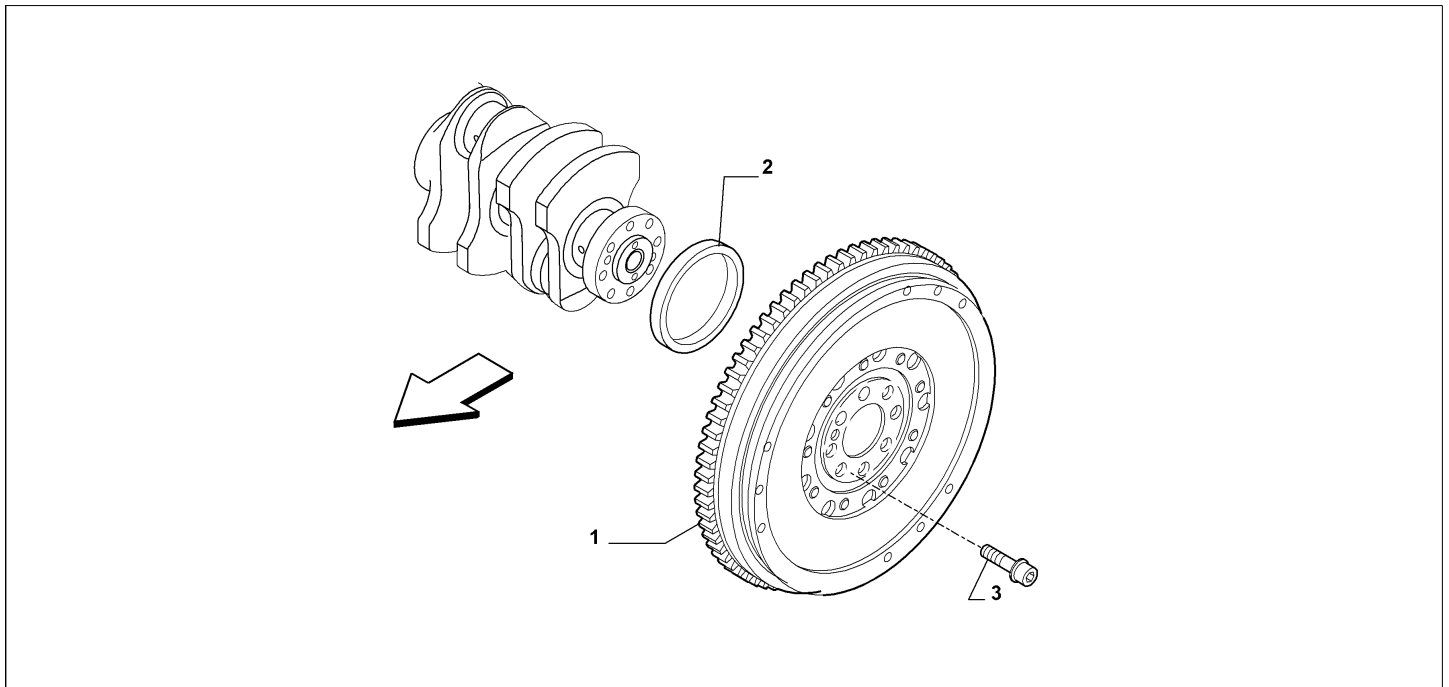
Catalogue	MITO 2008-2011	
Category	2.3 CRANKSHAFT AND FLYWHEEL	
Var.	01	1.3D + DIESEL + 90HP + EURO4
Rev.	00	



Part Num.	Description	Compatibility	Modif.	Qty	Notes	Col.	Reman.
1	55200307 CRANKSHAFT WITHOUT HALF-BEARINGS, COMPL			01			71788727
2	55192266 DOWEL			01			
3	71753747 HALF BEARING COUPLE, -0,000			05		COL-AN1	
3	71753748 HALF BEARING COUPLE, -0,000			05		COL-BN2	
3	71753749 HALF BEARING COUPLE, -0,000			05		COL-CN3	
3	71747646 HALF-BEAR. TOR.-0,127, -0,127			05		COL-AM6	
3	71747647 HALF-BEAR. TOR.-0,127, -0,127			05		COL-BM7	
3	71747648 HALF-BEAR. TOR.-0,127, -0,127			05		COL-CM8	
4	71732982 SET OF HALF RINGS, +0,000			01			
4	71732983 SET OF HALF RINGS, +0,127			01			

Legend	
1.3D	HORSE POWER (MARKET):1.3
DIESEL	FUEL:DIESEL
EURO4	ECOLOGY:EEC LIM. STAGE 4
90HP	POWER:1.3 SDE 90HP EURO4
COL-AM6	BROWN
COL-AN1	RED
COL-BM7	GREEN
COL-BN2	BLUE
COL-CM8	BLACK
COL-CN3	YELLOW

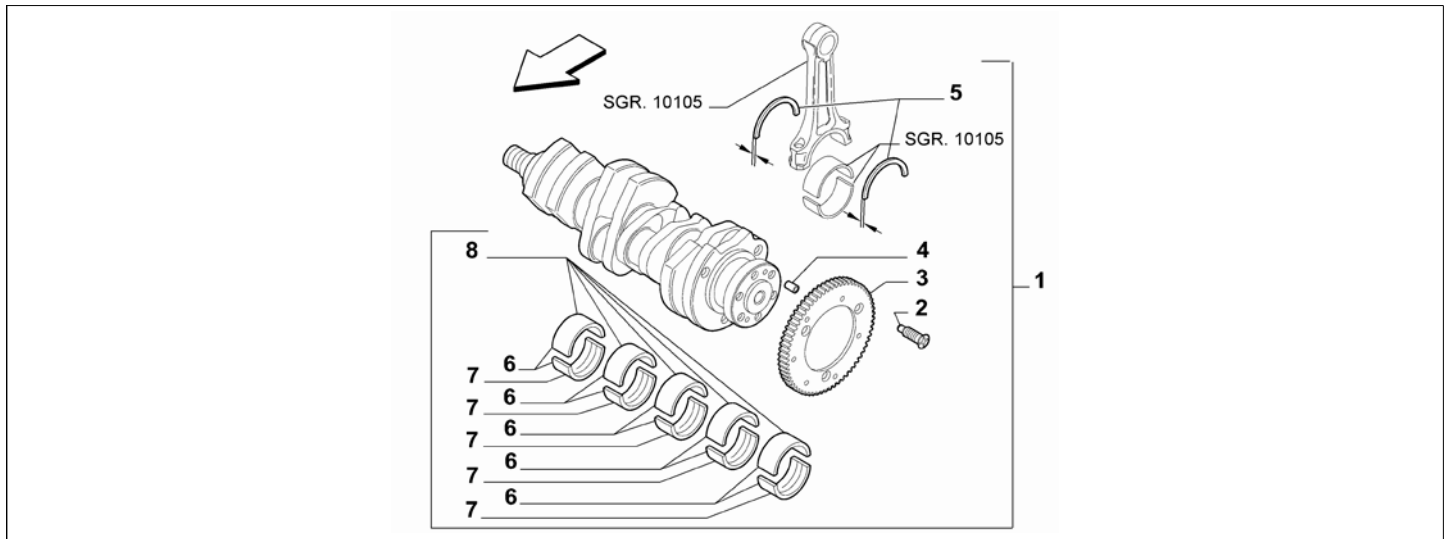
Catalogue	MITO 2008-2011	
Category	2.3 CRANKSHAFT AND FLYWHEEL	
Var.	02	1.3D + DIESEL + 90HP + EURO4
Rev.	00	



Part Num.	Description	Compatibility	Modif.	Qty	Notes	Col.	Reman.
1	55219387 FLYWHEEL, COMPL		C13421	01			71793364
1	55227944 FLYWHEEL, COMPL		D13421, C14441	01			71794446
1	55227945 FLYWHEEL, COMPL		D14441	01			71794560
2	55180937 SEAL GASKET, 78X100X9			01			
3	55258458 SCREW, M8X1,25			08			

Legend	
1.3D	HORSE POWER (MARKET):1.3
DIESEL	FUEL:DIESEL
EURO4	ECOLOGY:EEC LIM. STAGE 4
90HP	POWER:1.3 SDE 90HP EURO4
13421	NEW FLYWHEEL [DAT 15/08/2009 (M72)]
14441	New flywheel [DAT 05/11/2010]

Catalogue	MITO 2008-2011	
Category	2.3 CRANKSHAFT AND FLYWHEEL	
Var.	01	1.6D
Rev.	00	

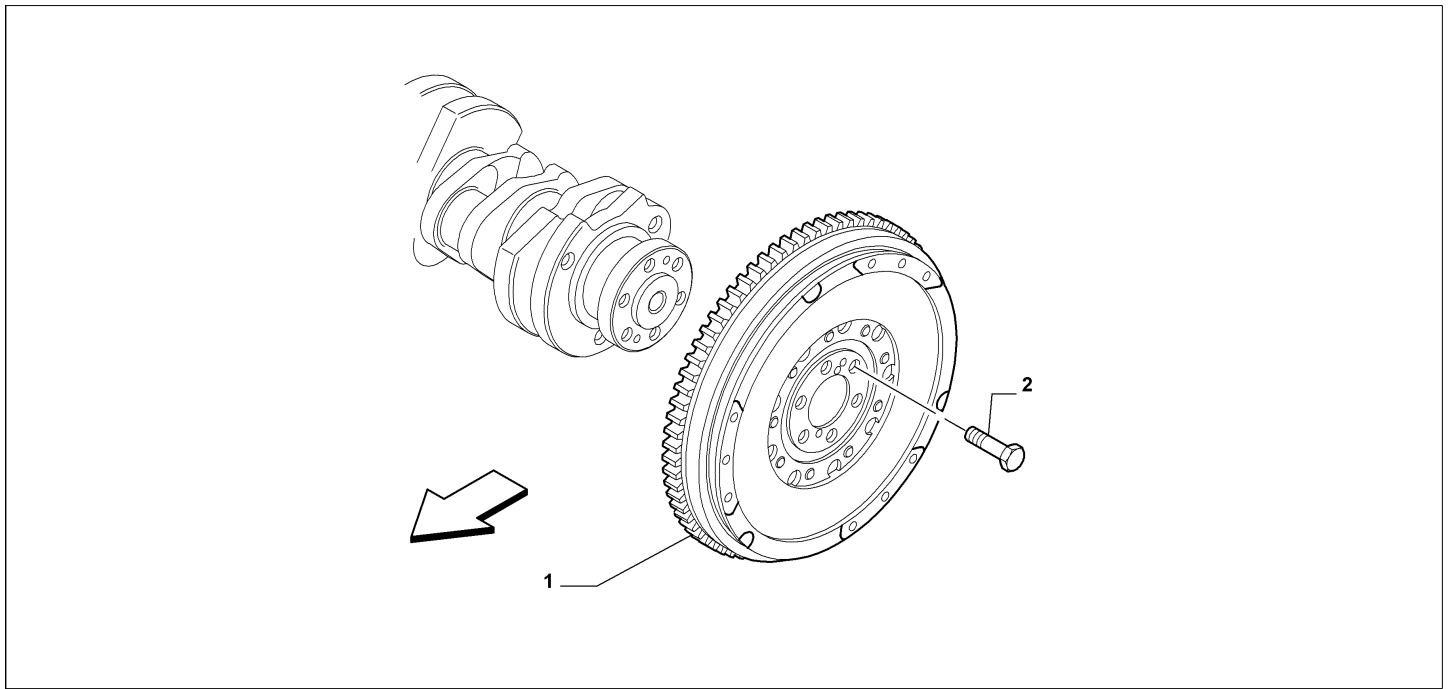


Part Num.	Description	Compatibility	Modif.	Qty	Notes	Col.	Reman.
1	71753030	CRANKSHAFT WITH HALF-BEARINGS, COMPLETE	C14585	01			
1	71769903	CRANKSHAFT WITH HALF-BEARINGS, COMPLETE	D14585	01			
2	55189542	SCREW		03			
3	55221390	TOOTHED WHEEL		01			
4	55266005	DOWEL		01			
5	71749704	SET OF HALF RINGS, +0,000	C14585	01			
5	55204019	HALF RING	D14585	02			
5	71749705	SET OF HALF RINGS, +0,127	C14585	01			
5	55207879	HALF RING	D14585	02			
6	71753015	HALF BEARING COUPLE, AN1 RED SP.1,831-1,837	C14585	05		COL-AN1	
6	71753016	HALF BEARING COUPLE, BN2 BLUE SP.1,836-1,844	C14585	05			
6	71753017	HALF BEARING COUPLE, CN3 YELLOW THK.1.543-1.549	C14585	05		COL-CN3	
6	71753018	HALF BEARING COUPLE, AM6 BROWN SP.1,894 - 1.900	C14585	05		COL-AM6	
6	71753019	HALF BEARING COUPLE, BM7 GREEN SP.1,899 - 1.907	C14585	05		COL-BM7	
6	71753020	HALF BEARING COUPLE, CM8 BLACK SP.1,906 - 1.912	C14585	05			
6	71769306	HALF BEARING COUPLE, 0,254		05			
6	71769307	HALF BEARING COUPLE, 0,508		05			
7	55196015	BIG END SHELLS, AN1 RED SP.1,831-1,837	D14585	05			
7	55207855	BIG END SHELLS, BN2 BLUE SP.1,836-1,844	D14585	05			
7	55207856	BIG END SHELLS, CN3 YELLOW THK.1.543-1.549	D14585	05			
7	55207857	BIG END SHELLS, AM6 BROWN SP.1,894 - 1.900	D14585	05			
7	55207858	BIG END SHELLS, BM7 GREEN SP.1,899 - 1.907	D14585	05			

7	55207859	BIG END SHELLS, CM8 BLACK SP.1,906 - 1.912		D14585	05			
8	55196140	BIG END SHELLS, AN1 RED SP.1,831-1,837		D14585	05			
8	55207860	BIG END SHELLS, BN2 BLUE SP.1,836-1,844		D14585	05			
8	55207861	BIG END SHELLS, CN3 YELLOW THK.1.543-1.549		D14585	05			
8	55207862	BIG END SHELLS, AM6 BROWN SP.1,894 - 1.900		D14585	05			
8	55207863	BIG END SHELLS, BM7 GREEN SP.1,899 - 1.907		D14585	05			
8	55207864	BIG END SHELLS, CM8 BLACK SP.1,906 - 1.912		D14585	05			

Legend	
1.6D	HORSE POWER (MARKET):1598
14585	NEW CRANKSHAFT WITH HALF-BEARINGS [DAT 01/12/2010]
COL-AM6	BROWN
COL-AN1	RED
COL-BM7	GREEN
COL-CN3	YELLOW

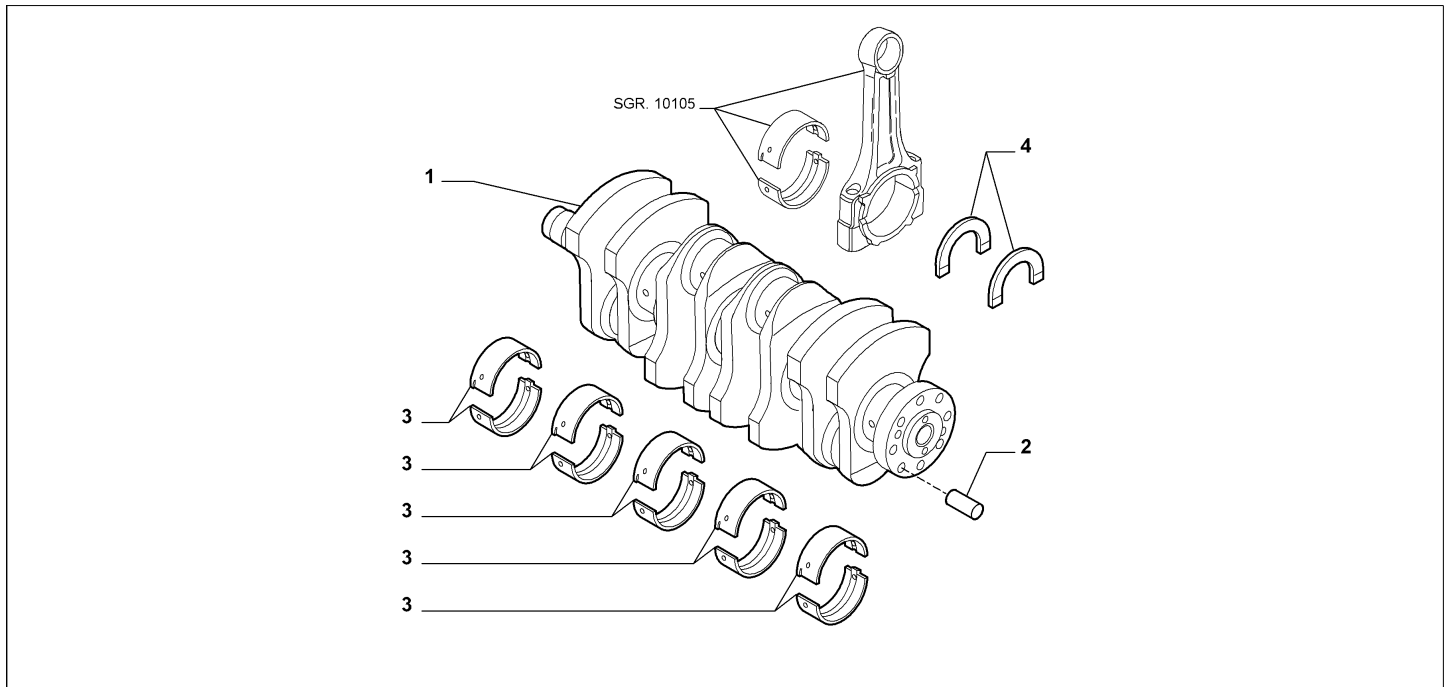
Catalogue	MITO 2008-2011	
Category	2.3 CRANKSHAFT AND FLYWHEEL	
Var.	02	1.6D
Rev.	00	



Part Num.	Description	Compatibility	Modif.	Qty	Notes	Col.	Reman.
1	55207746 FLYWHEEL	s/s		01			71793548
1	55220821 FLYWHEEL	s/s		01			
2	55282093 SCREW			06			

Legend	
S/S	STOP&START
1.6D	HORSE POWER (MARKET):1598

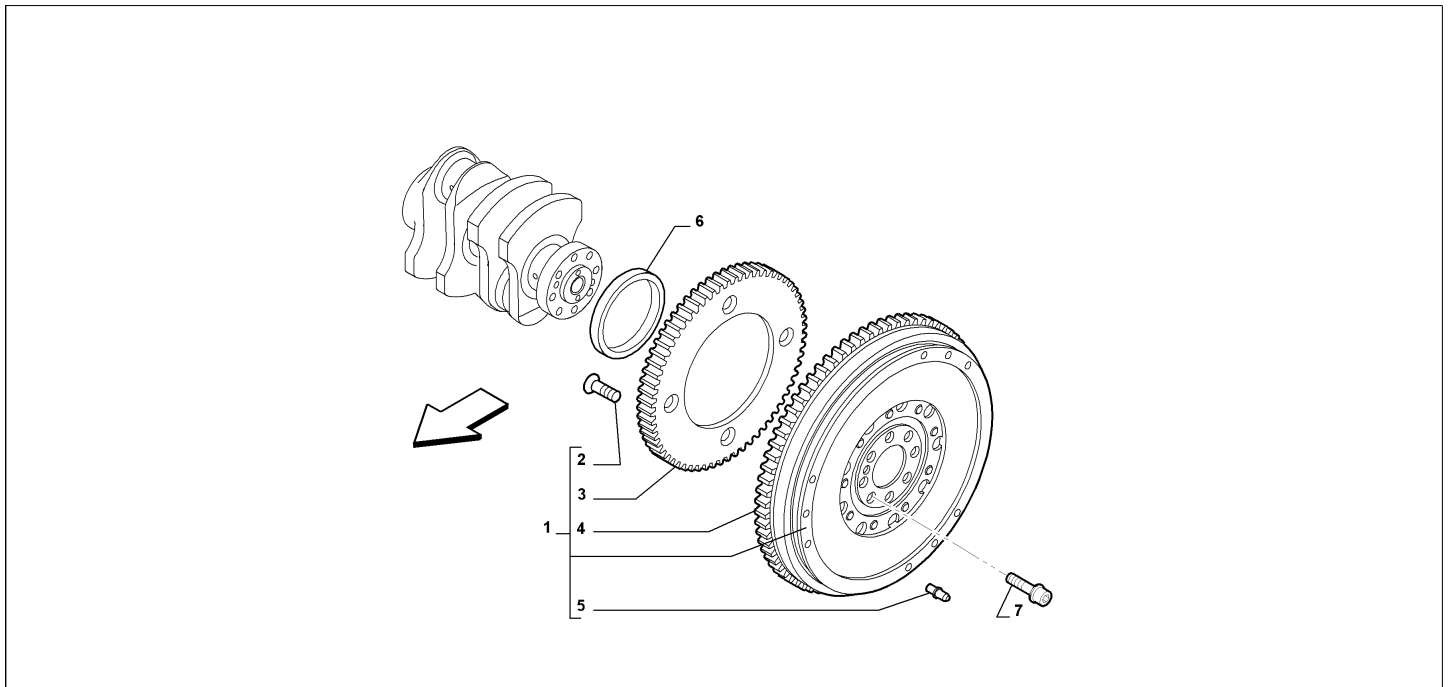
Catalogue	MITO 2008-2011	
Category	2.3 CRANKSHAFT AND FLYWHEEL	
Var.	01	1.3D + DIESEL + (95HP, 85HP) + EURO5
Rev.	00	



Part Num.	Description	Compatibility	Modif.	Qty	Notes	Col.	Reman.
1	55200307 CRANKSHAFT WITHOUT HALF-BEARINGS, COMPL			01			71788727
2	55192266 DOWEL			01			
3	71753747 HALF BEARING COUPLE, -0,000			05		COL-AN1	
3	71753748 HALF BEARING COUPLE, -0,000			05		COL-BN2	
3	71753749 HALF BEARING COUPLE, -0,000			05		COL-CN3	
3	71753750 HALF-BEAR. TOR.-0,127, -0,127			05		COL-AM6	
3	71753751 HALF-BEAR. TOR.-0,127, -0,127			05		COL-BM7	
3	71753752 HALF-BEAR. TOR.-0,127, -0,127			05		COL-CM8	
3	71753753 HALF BEARING COUPLE, -0.254			05			
4	71732982 SET OF HALF RINGS, +0,000			01			
4	71732983 SET OF HALF RINGS, +0,127			01			

Legend	
1.3D	HORSE POWER (MARKET):1.3
DIESEL	FUEL:DIESEL
EURO5	ECOLOGY:LIM.ECC PHASE 5
85HP	POWER:1.3 SDE 85HP EURO5
95HP	POWER:95HP
COL-AM6	BROWN
COL-AN1	RED
COL-BM7	GREEN
COL-BN2	BLUE
COL-CM8	BLACK
COL-CN3	YELLOW

Catalogue	MITO 2008-2011	
Category	2.3 CRANKSHAFT AND FLYWHEEL	
Var.	02	1.3D + DIESEL + (95HP, 85HP) + EURO5
Rev.	00	



Part Num.	Description	Compatibility	Modif.	Qty	Notes	Col.	Reman.
1	55223363	FLYWHEEL, COMPL	95HP				71796926
1	55231765	FLYWHEEL, COMPL	85HP				71796924
2	55189542	SCREW, M6X16		04			
3	46785460	TOOTHED WHEEL		01			
4	55223361	RING GEAR		01			
5	4291511	DOWEL		03			
6	55180937	SEAL GASKET, 78X100X9		01			
7	55258458	SCREW, M8X1.25		08			

Legend	
1.3D	HORSE POWER (MARKET):1.3
DIESEL	FUEL:DIESEL
EURO5	ECOLOGY:LIM.ECC PHASE 5
85HP	POWER:1.3 SDE 85HP EURO5
95HP	POWER:95HP