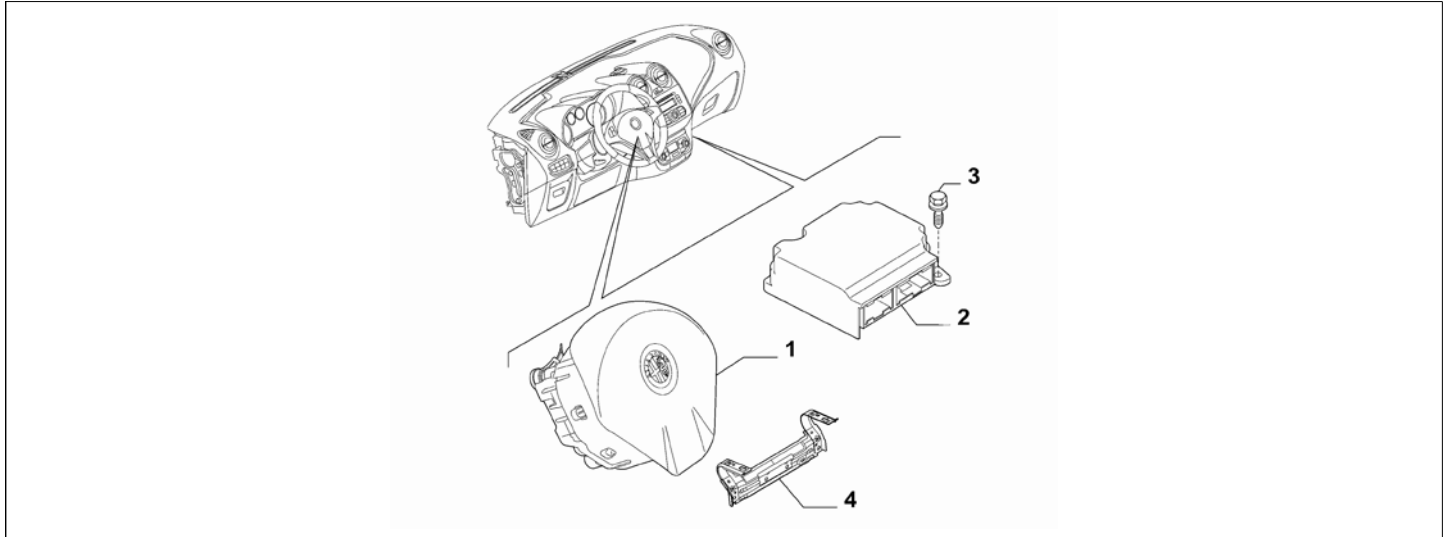


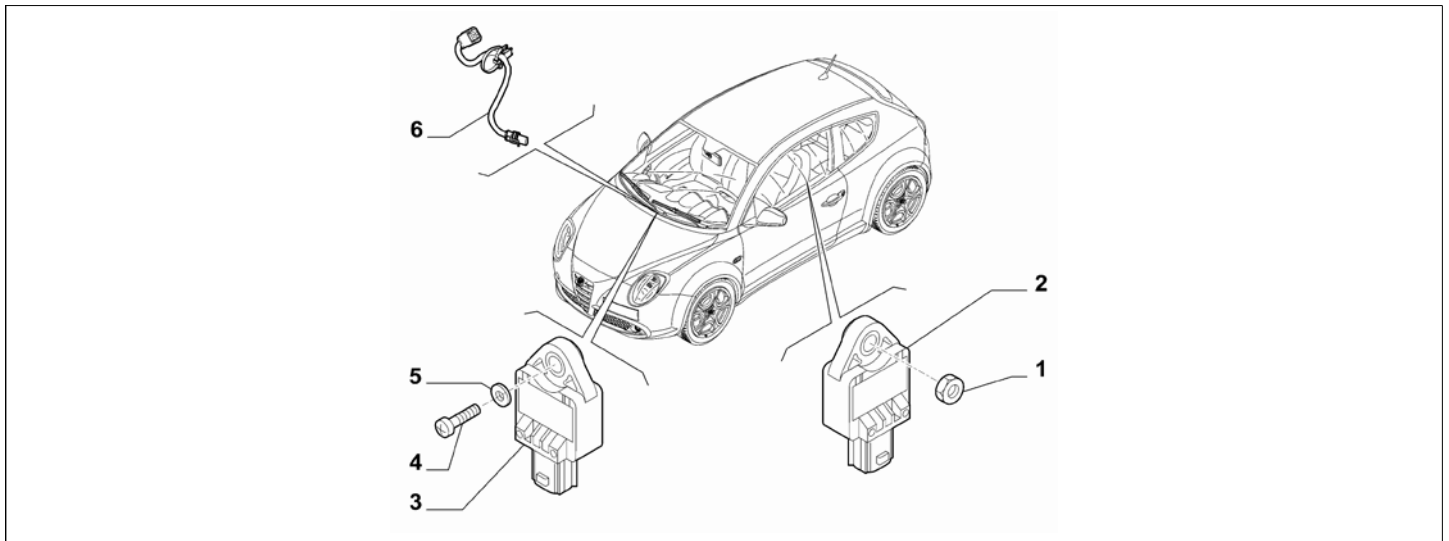
Catalogue	MITO 2008-2011	
Category	18.4 AIR-BAG DEVICES	
Var.	01	
Rev.	00	



Part Num.	Description	Compatibility	Modif.	Qty	Notes	Col.	Reman.
1	156089175 AIR-BAG			1			
2	50508413 CONTROL UNIT FOR AIRBAG		C14196	01			
2	50518368 CONTROL UNIT FOR AIRBAG		D14196, C14121	01			
2	50518756 CONTROL UNIT FOR AIRBAG		D14121, C14700	01			
2	50524710 CONTROL UNIT FOR AIRBAG		D14700	01			
3	14059210 NUT, M6			03			
4	50513946 BRACKET	RHD		01			

Legend	
RHD	STEERING:RIGHT
14121	NEW AIR-BAG CONTROL UNIT [DAT 23/07/2010]
14196	ADOPTION OF A NEW AIRBAG ECU FOR A SOFTWARE UPDATE [DAT 07/10/2009, VET 75328]
14700	Mars 4 airbag ECU SW modified [DAT 25/03/2011]

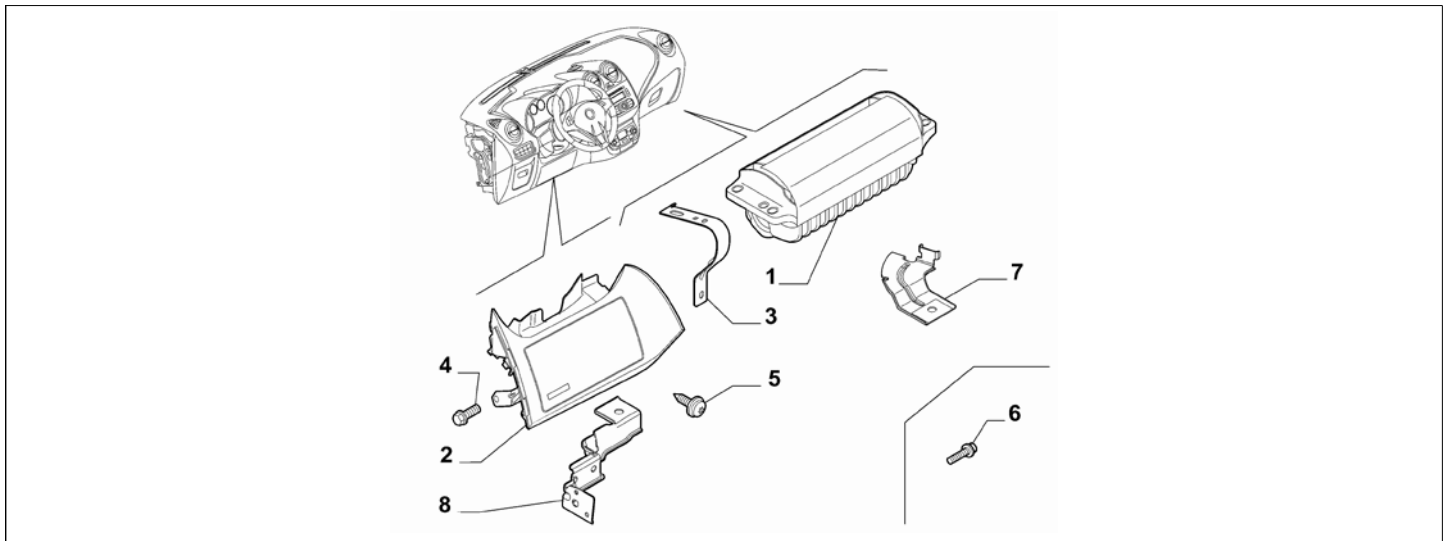
Catalogue	MITO 2008-2011	
Category	18.4 AIR-BAG DEVICES	
Var.	02	
Rev.	00	



Part Num.	Description	Compatibility	Modif.	Qty	Notes	Col.	Reman.
1	14084211 NUT, M6			02			
2	51854049 SENSOR, LATERALE		C14121	02			
2	51870158 SENSOR, LATERALE		D14121	02			
3	51854107 SENSOR, FRONTALE		C14121	01			
4	46459437 SCREW AND WASHERASSY, M6X45			02			
5	51775239 SPACER			01			
6	50514634 CABLE HARNESS		C14121	1			

Legend	
14121	NEW AIR-BAG CONTROL UNIT [DAT 23/07/2010]

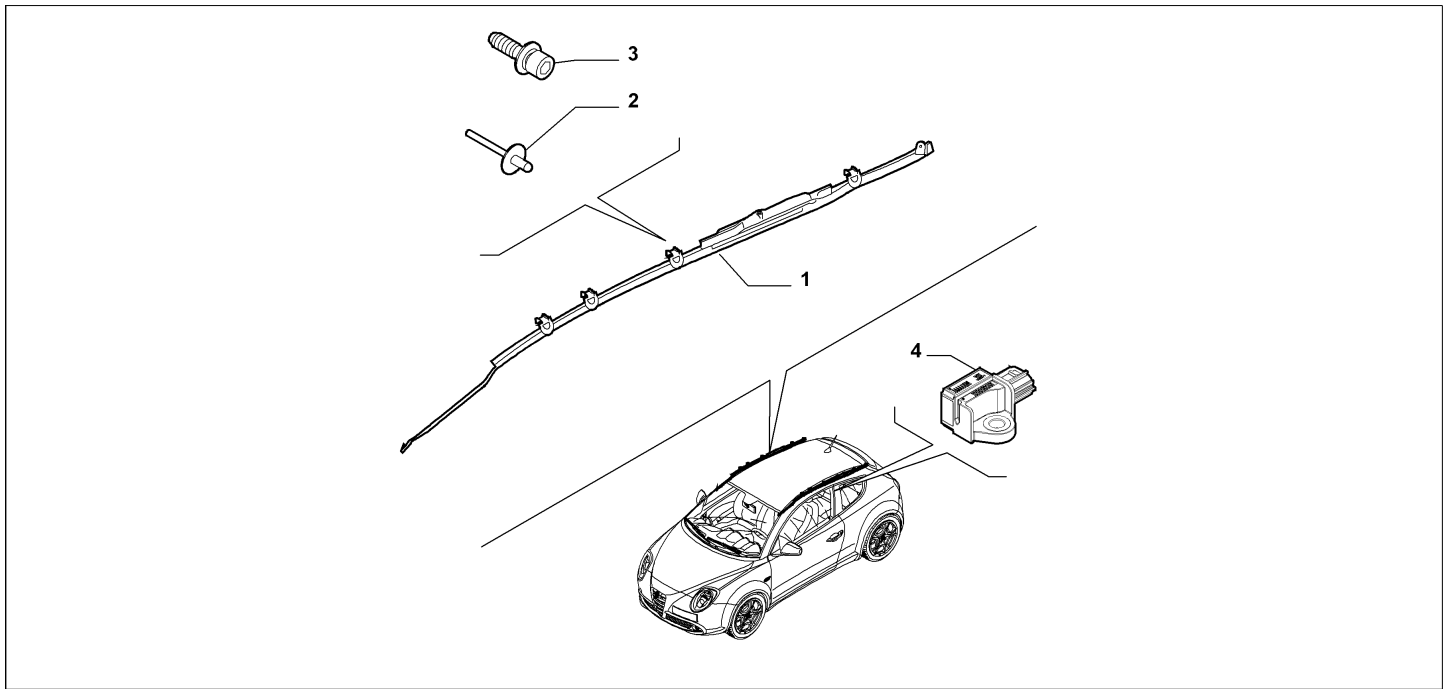
Catalogue	MITO 2008-2011	
Category	18.4 AIR-BAG DEVICES	
Var.	03	
Rev.	00	



Part Num.	Description	Compatibility	Modif.	Qty	Notes	Col.	Reman.
1	50528411 AIR-BAG	LHD		01			
1	50528411 AIR-BAG	RHD		01			
2	156101373 AIR-BAG	LHD		01			
2	156101374 AIR-BAG	RHD		01			
3	50512625 BRACKET, RIGHT	LHD		01			
3	50512626 BRACKET, LEFT	LHD		01			
3	50513946 BRACKET	RHD		01			
4	11570024 SCREW, M6X22			02			
5	46558583 SCREW			01			
6	11568024 SCREW AND WASHER ASSY, M6X18			2			
7	50513944 BRACKET, RIGHT	RHD		1			
8	50513772 BRACKET, LEFT	RHD		1			

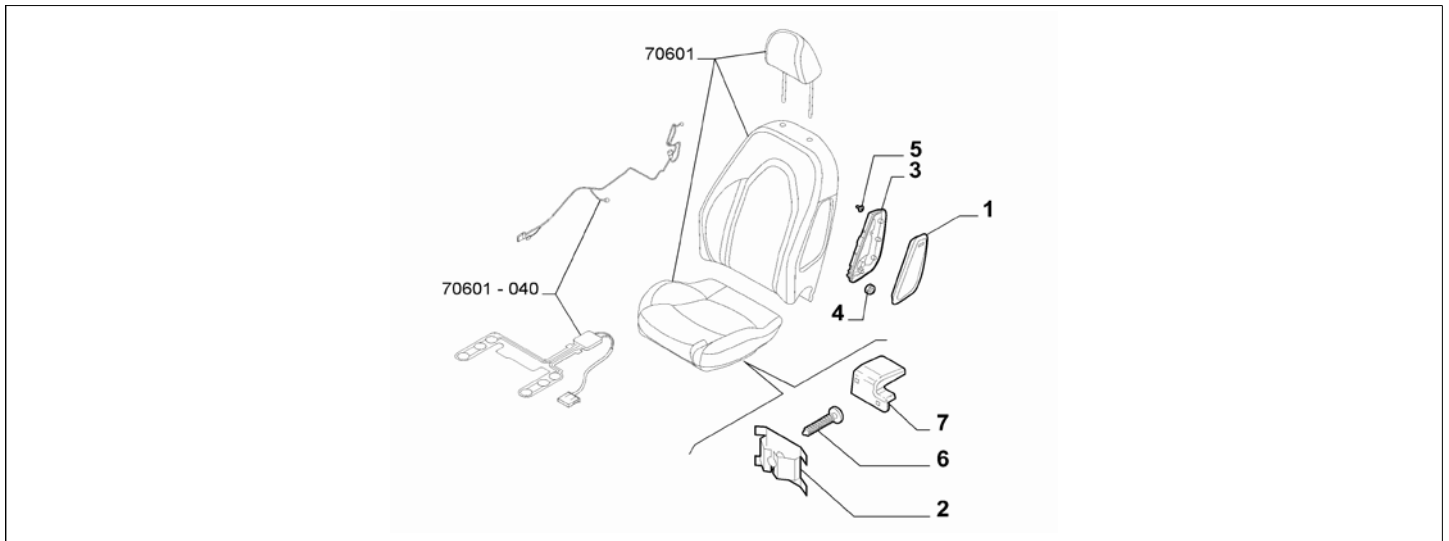
Legend	
RHD	STEERING:RIGHT
LHD	STEERING:LEFT

Catalogue	MITO 2008-2011	
Category	18.4 AIR-BAG DEVICES	
Var.	04	
Rev.	00	



Part Num.	Description	Compatibility	Modif.	Qty	Notes	Col.	Reman.
1	50518978 WINDOW BAG, RH			01			
1	50518979 WINDOW BAG, LH			01			
2	51765588 CLIP			02			
3	11567624 SCREW, M6X14			04			
4	51854107 SENSOR			01			

Catalogue	MITO 2008-2011	
Category	18.4 AIR-BAG DEVICES	
Var.	05	
Rev.	00	



Part Num.	Description	Compatibility	Modif.	Qty	Notes	Col.	Reman.
1	71752082 AIR-BAG, RH			01			
1	71752081 AIR-BAG, LH			01			
2	7770156 BRACKET			2			
3	51775950 ORNAMENT, RH			01			
3	51775949 ORNAMENT, LH			01			
4	13832101 NUT, M6			02			
5	46997981 RIVET			06			
6	46555555 SCREW			2			
7	735410637 PROTECTION, RIGHT			1			
7	735410638 PROTECTION, LEFT			1			