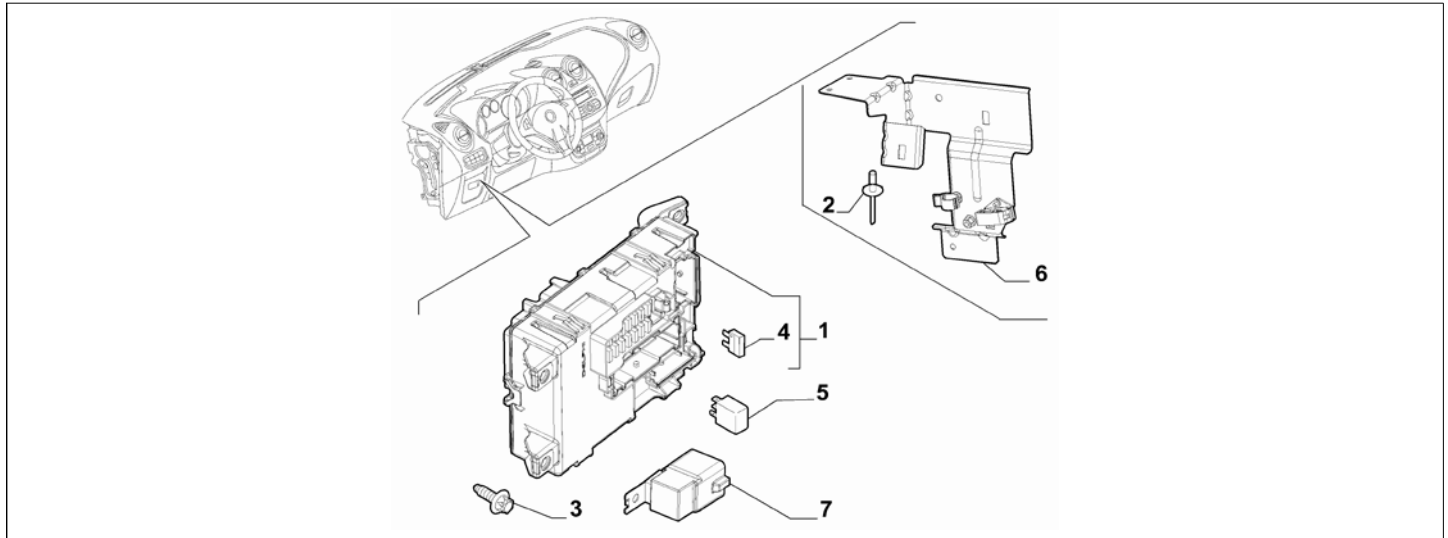


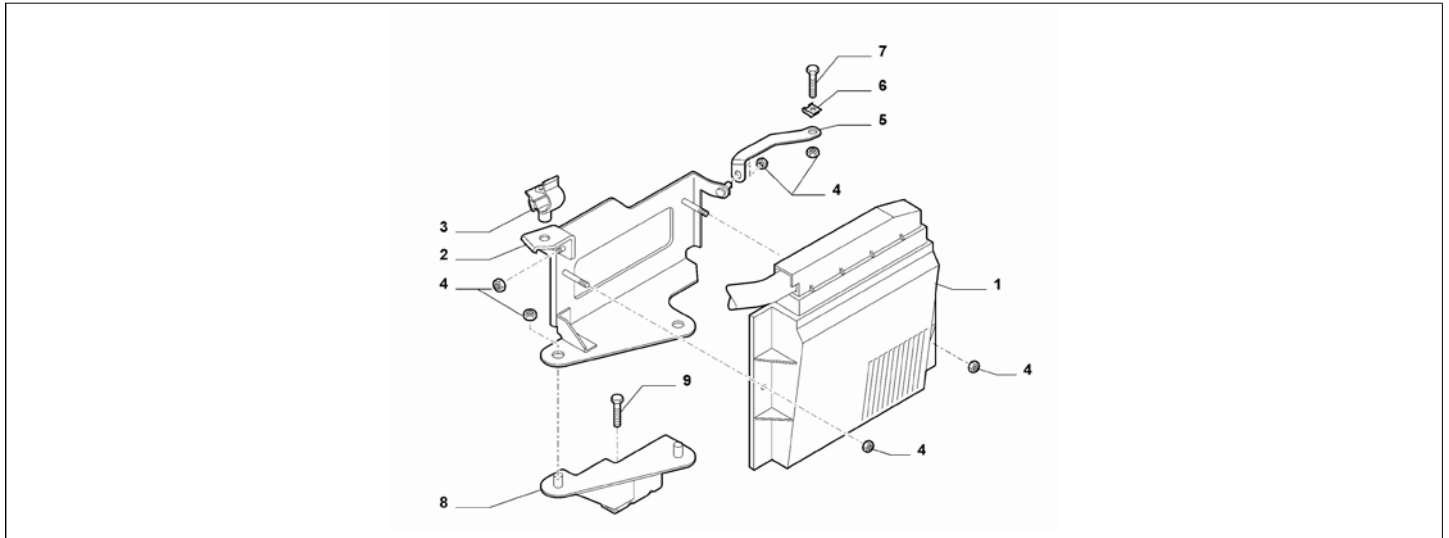
Catalogue	MITO 2008-2011	
Category	18.2 INTERCONNECTION AND REMOTE CONTROL SWITCH	
Var.	01	
Rev.	00	



Part Num.	Description	Compatibility	Modif.	Qty	Notes	Col.	Reman.
1	50508459	BODY COMPUTER	I230	C13157	01		
1	50516704	BODY COMPUTER	I230	D13157, C13747	01		
1	50518120	BODY COMPUTER	I230	D13747, C14073	01		
1	50508654	BODY COMPUTER	230	C13157	01		
1	50516705	BODY COMPUTER	230	D13157, C13747	01		
1	50518122	BODY COMPUTER	230	D13747, C14073	01		
1	50518121	BODY COMPUTER	I230	D14073	01		
1	50518123	BODY COMPUTER	230	D14073	01		
1	50518366	BODY COMPUTER	AM26+I230		01		
1	50518367	BODY COMPUTER	AM26+230		01		
2	51756626	RIVET, RIVET	TCT		1		
3	811900002	SCREW			03		
4	11055090	FUSE, 15A			02		
4	11055390	FUSE, 30A			01		
5	11130787	RELAY			03		
6	50520406	BRACKET, STAFFA	TCT		1		
7	46520438	RELAY, 12V-30A/40A	LPG		1		

Legend	
TCT	SPECIFIC GEARBOX
230	GAS DISCHARGE HEADLIGHTS
LPG	LPG POWER SUPPLY (ITALY STANDARD)
AM26	MARKET VERSION: JAPAN
13157	NEW BODY COMPUTER [DAT 15/10/2008]
13747	NUOVI BODY COMPUTER STOP & START [DAT 08/01/2010, VET 90973]
14073	BODY COMPUTER RATIONALIZATION [DAT 13/04/2010]

Catalogue	MITO 2008-2011	
Category	18.2 INTERCONNECTION AND REMOTE CONTROL SWITCH	
Var.	02	
Rev.	00	



Part Num.	Description	Compatibility	Modif.	Qty	Notes	Col.	Reman.
1	71754623 ELECTRONIC CONTROL UNIT	LPG		1			
2	71754628 BRACKET, support for control unit replacement	LPG		1			
3	50517940 CLIP, D21,5	LPG		1			
4	13046114 NUT, M6	LPG		6			
5	71754637 BRACKET, centr. install. to front-end	LPG		1			
6	14189071 BRACKET, m6x21.9x15	LPG		1			
7	55192179 SCREW, M6X16	LPG		1			
8	71754629 BRACKET	LPG		1			
9	18752621 SCREW, M8X30	LPG		2			

Legend	
LPG	LPG POWER SUPPLY (ITALY STANDARD)