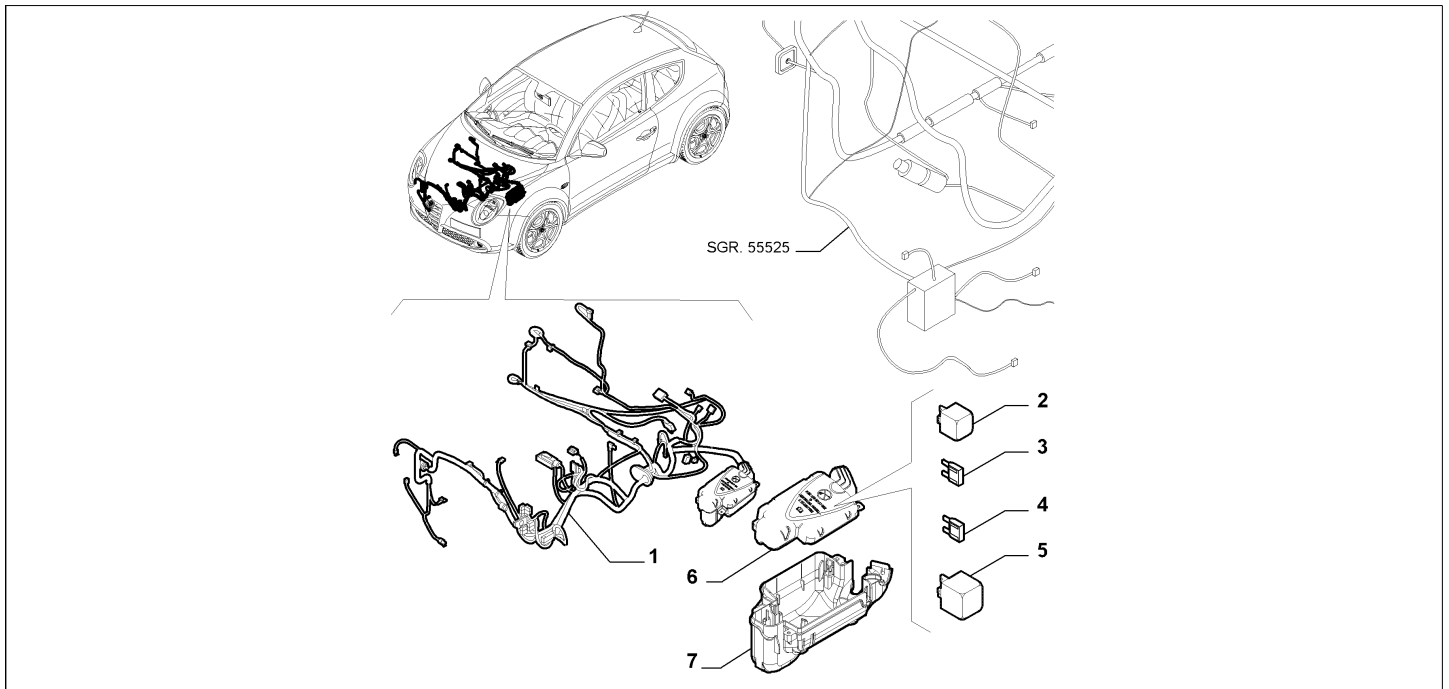


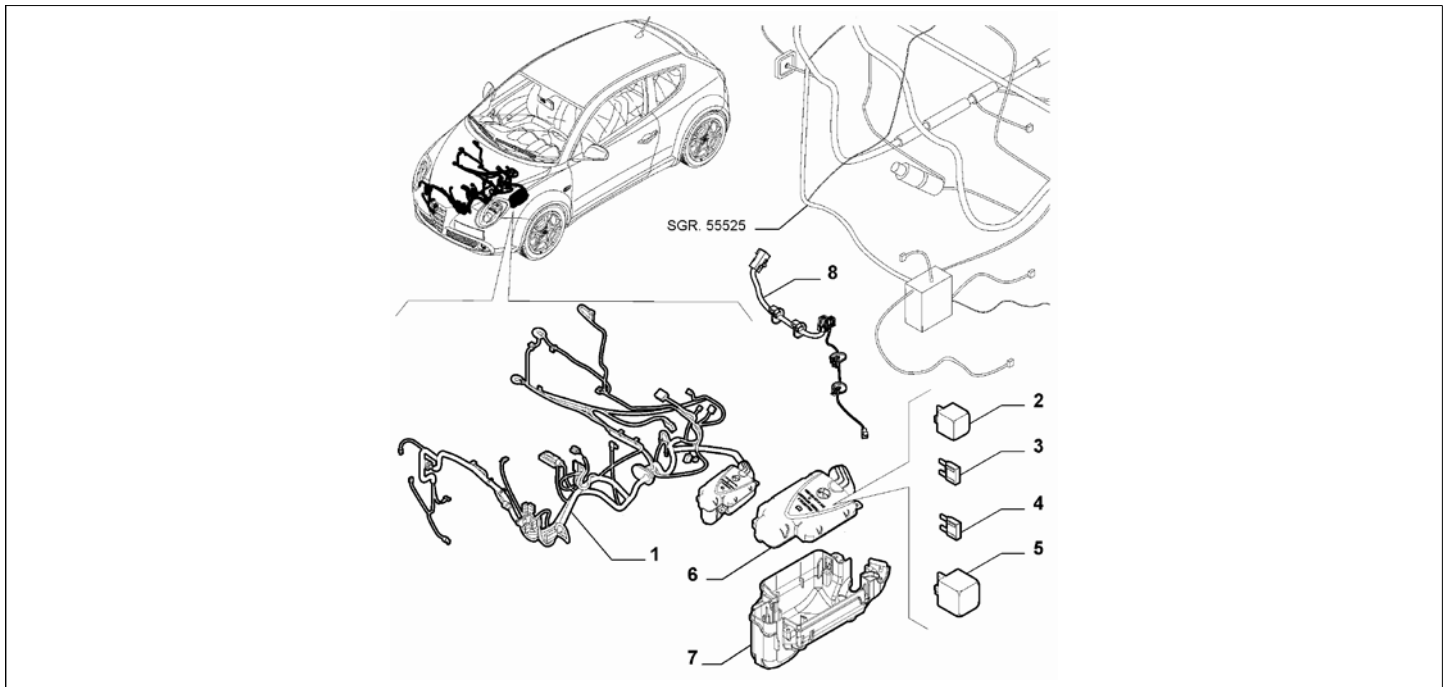
Catalogue	MITO 2008-2011	
Category	18.10 CABLE HARNESS (FRONT)	
Var.	01	LHD + (78HP, 105HP)
Rev.	00	



Part Num.	Description	Compatibility	Modif.	Qty	Notes	Col.	Reman.
1	X08103	Matricola traceability		-			
2	11129787	RELAY, 12V 20A		03			
2	11129885	RELAY, 12V 30A		03			
2	11130287	RELAY, 12V 50A		01			
3	11055990	FUSE, 20A		01			
3	11056090	FUSE, 30A		01			
3	11055490	FUSE, 40A		01			
3	11055590	FUSE, 50A		01			
3	11055690	FUSE, 60A		01			
3	11055790	FUSE, 70A		01			
4	10399690	FUSE, 10A		01			
4	10401090	FUSE, 15A		01			
4	10401190	FUSE, 20A		01			
4	10402190	FUSE, 30A		01			
5	11130885	RELAY, 30A		02			
5	11131585	RELAY, 30A		01			
5	11131087	RELAY, 50A		01			
6	50509531	COVER		01			
7	50509532	SUPPORT		01			

Legend	
LHD	STEERING:LEFT
78HP	POWER:1.4 FIRE 16V 78HP EURO5
105HP	POWER:1.4 FIRE 16V MULTIAIR 105HP (EURO 5)

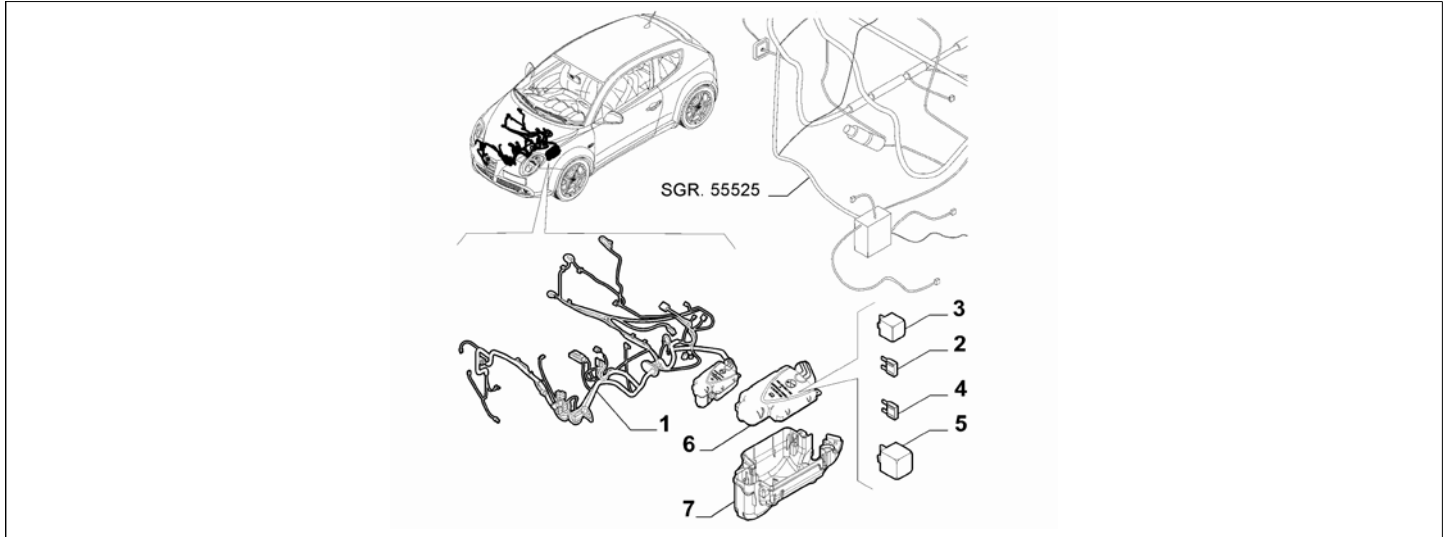
Catalogue	MITO 2008-2011	
Category	18.10 CABLE HARNESS (FRONT)	
Var.	01	RHD + (78HP, 105HP)
Rev.	00	



Part Num.	Description	Compatibility	Modif.	Qty	Notes	Col.	Reman.
1	X08103	Matricola traceability		-			
2	11129787	RELAY, 12V 20A		03			
2	11129885	RELAY, 12V 30A		03			
2	11130287	RELAY, 12V 50A		01			
3	11055990	FUSE, 20A		01			
3	11056090	FUSE, 30A		01			
3	11055490	FUSE, 40A		01			
3	11055590	FUSE, 50A		01			
3	11055690	FUSE, 60A		01			
3	11055790	FUSE, 70A		01			
4	10399690	FUSE, 10A		01			
4	10401090	FUSE, 15A		01			
4	10401190	FUSE, 20A		01			
4	10402190	FUSE, 30A		01			
5	11130885	RELAY, 30A		02			
5	11131585	RELAY, 30A		01			
5	11131087	RELAY, 50A		01			
6	50509531	COVER		01			
7	50509532	SUPPORT		01			
8	50517780	CABLE HARNESS, POT		01			
8	50517781	CABLE HARNESS, SEGN		01			

Legend	
RHD	STEERING:RIGHT
78HP	POWER:1.4 FIRE 16V 78HP EURO5
105HP	POWER:1.4 FIRE 16V MULTIAIR 105HP (EURO 5)

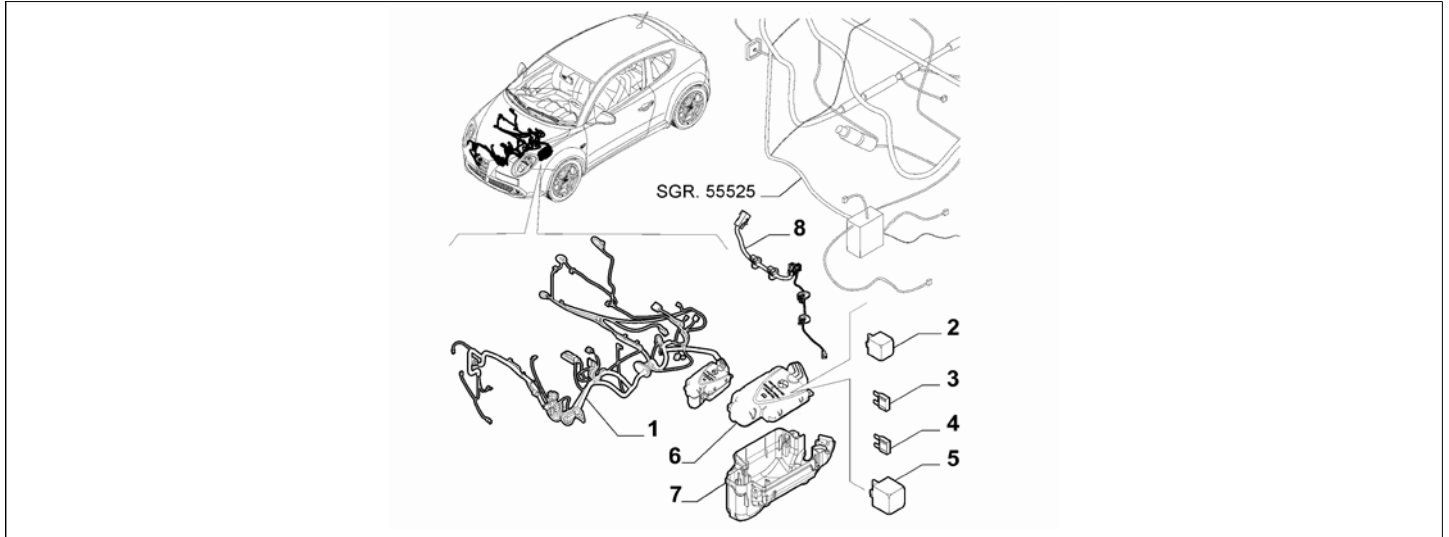
Catalogue	MITO 2008-2011	
Category	18.10 CABLE HARNESS (FRONT)	
Var.	01	LHD + (1.4 + 120HP, 155HP, 135HP, 170HP)
Rev.	00	



Part Num.	Description	Compatibility	Modif.	Qty	Notes	Col.	Reman.
1	X08103	Matricola traceability		-			
2	11055990	FUSE, 20A		01			
2	11056090	FUSE, 30A		01			
2	11055490	FUSE, 40A		01			
2	11055590	FUSE, 50A		01			
2	11055690	FUSE, 60A		01			
2	11055790	FUSE, 70A		01			
3	11129787	RELAY, 12V 20A		03			
3	11129885	RELAY, 12V 30A		03			
3	11130287	RELAY, 12V 50A		01			
4	10399690	FUSE, 10A		01			
4	10401090	FUSE, 15A		01			
4	10401190	FUSE, 20A		01			
4	10402190	FUSE, 30A		01			
5	11130885	RELAY, 30A		02			
5	11131585	RELAY, 30A		01			
5	11131087	RELAY, 50A		01			
6	50509531	COVER		01			
7	50509532	SUPPORT		01			

Legend	
1.4	HORSE POWER (MARKET):1370
LHD	STEERING:LEFT
155HP	POWER:1.4 FIRE 16V TURBO 155HP (EURO 5)
170HP	POWER:1.4 FIRE 16V TURBO MULTIAIR 170HP EURO 5
120HP	POWER:120HP
135HP	POWER:1.4 FIRE 16V TURBO MULTIAIR 135 HP EURO 5

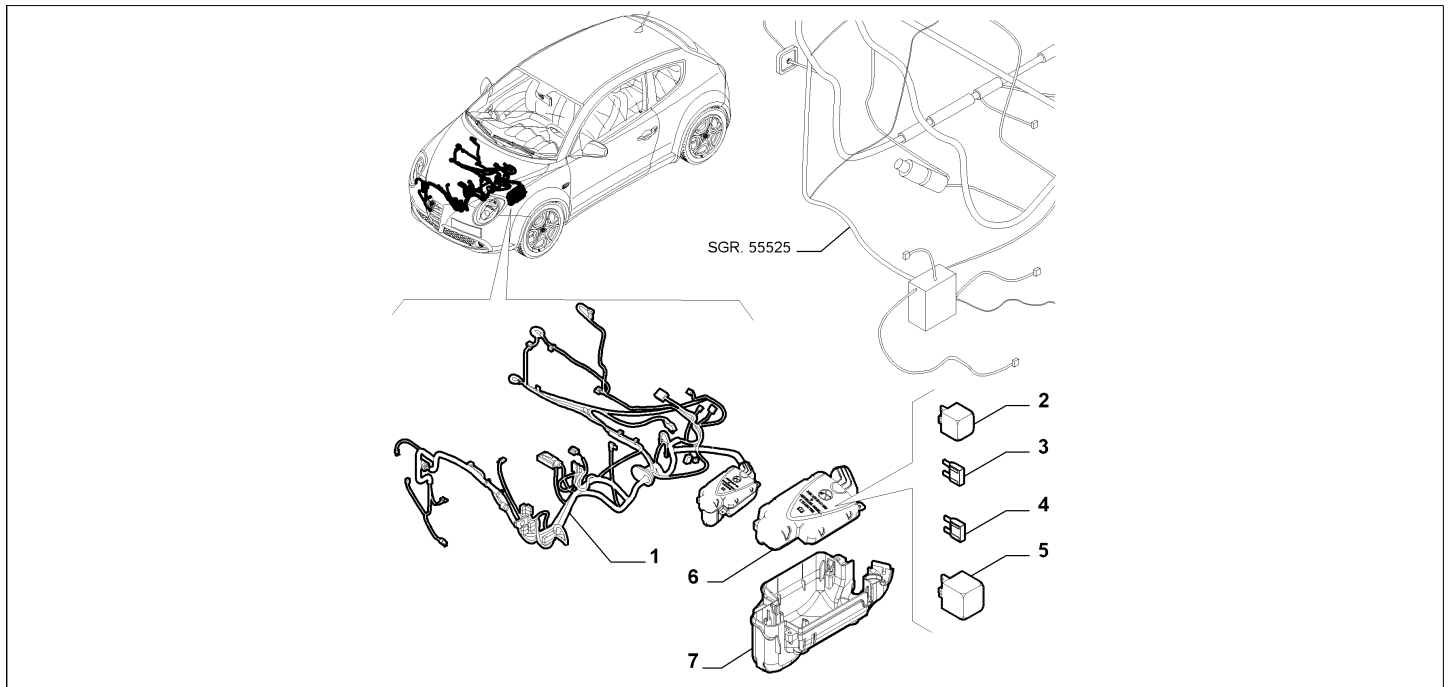
Catalogue	MITO 2008-2011	
Category	18.10CABLE HARNESS (FRONT)	
Var.	01	RHD + (155HP, 1.4 + 120HP, 135HP, 170HP)
Rev.	00	



Part Num.	Description	Compatibility	Modif.	Qty	Notes	Col.	Reman.
1	X08103	Matricola traceability		-			
2	11129787	RELAY, 12V 20A		03			
2	11129885	RELAY, 12V 30A		03			
2	11130287	RELAY, 12V 50A		01			
3	11055990	FUSE, 20A		01			
3	11056090	FUSE, 30A		01			
3	11055490	FUSE, 40A		01			
3	11055590	FUSE, 50A		01			
3	11055690	FUSE, 60A		01			
3	11055790	FUSE, 70A		01			
4	10399690	FUSE, 10A		01			
4	10401090	FUSE, 15A		01			
4	10401190	FUSE, 20A		01			
4	10402190	FUSE, 30A		01			
5	11130885	RELAY, 30A		02			
5	11131585	RELAY, 30A		01			
5	11131087	RELAY, 50A		01			
6	50509531	COVER		01			
7	50509532	SUPPORT		01			
8	50517780	CABLE HARNESS, POT		01			
8	50517781	CABLE HARNESS, SEGN		01			

Legend	
1.4	HORSE POWER (MARKET):1370
RHD	STEERING:RIGHT
155HP	POWER:1.4 FIRE 16V TURBO 155HP (EURO 5)
170HP	POWER:1.4 FIRE 16V TURBO MULTIAIR 170HP EURO 5
120HP	POWER:120HP
135HP	POWER:1.4 FIRE 16V TURBO MULTIAIR 135 HP EURO 5

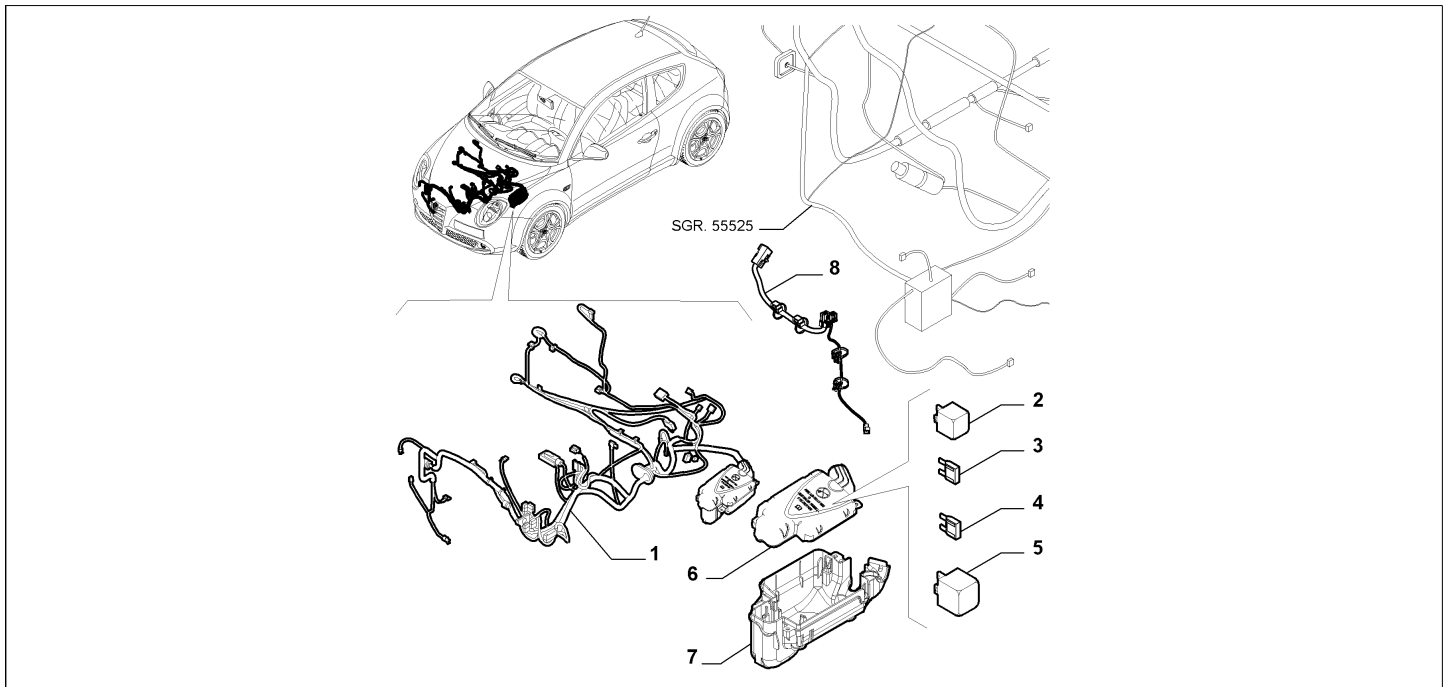
Catalogue	MITO 2008-2011	
Category	18.10 CABLE HARNESS (FRONT)	
Var.	01	LHD + 1.6D
Rev.	00	



Part Num.	Description	Compatibility	Modif.	Qty	Notes	Col.	Reman.
1	X08103	Matricola traceability		-			
2	11129787	RELAY, 12V 20A		03			
2	11129885	RELAY, 12V 30A		03			
2	11130287	RELAY, 12V 50A		01			
3	11055990	FUSE, 20A		01			
3	11056090	FUSE, 30A		01			
3	11055490	FUSE, 40A		01			
3	11055590	FUSE, 50A		01			
3	11055690	FUSE, 60A		01			
3	11055790	FUSE, 70A		01			
4	10399690	FUSE, 10A		01			
4	10401090	FUSE, 15A		01			
4	10401190	FUSE, 20A		01			
4	10402190	FUSE, 30A		01			
5	11130885	RELAY, 30A		02			
5	11131585	RELAY, 30A		01			
5	11131087	RELAY, 50A		01			
6	50509531	COVER		01			
7	50509532	SUPPORT		01			

Legend	
1.6D	HORSE POWER (MARKET):1598
LHD	STEERING:LEFT

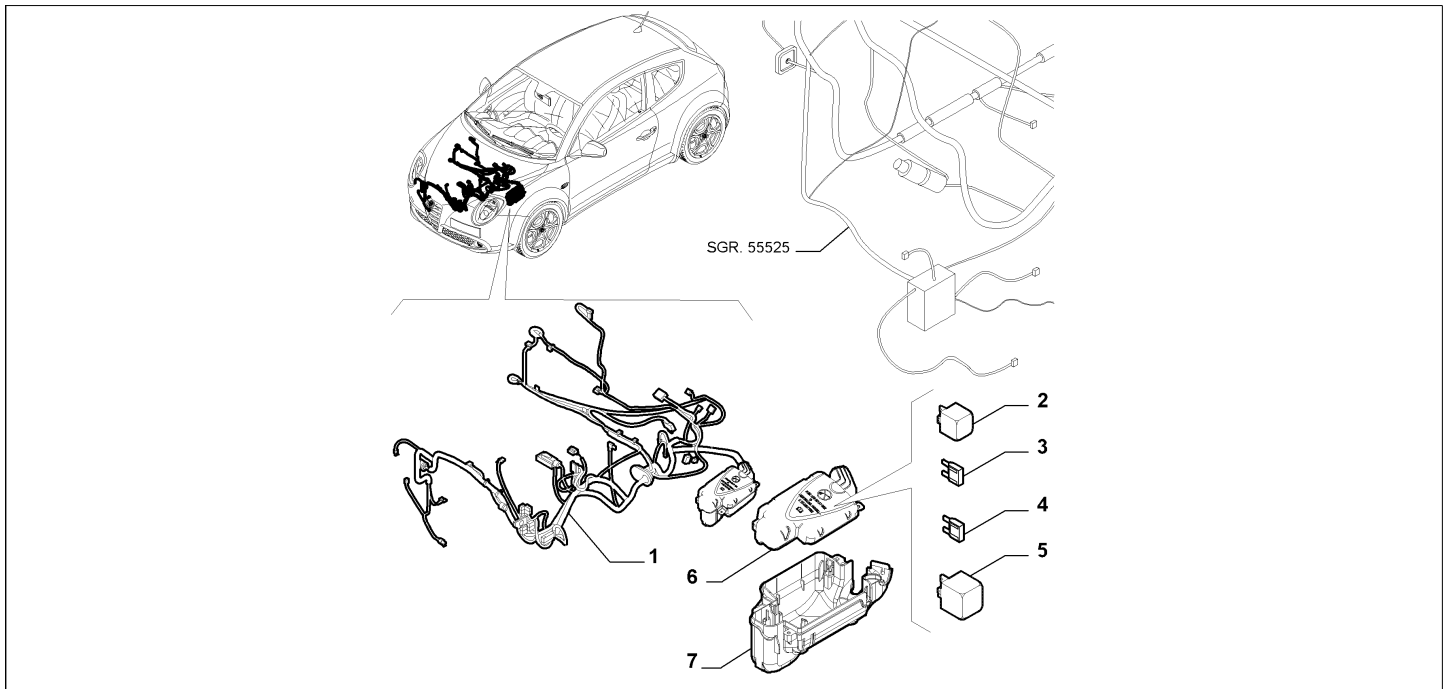
Catalogue	MITO 2008-2011	
Category	18.10 CABLE HARNESS (FRONT)	
Var.	01	RHD + 1.6D
Rev.	00	



Part Num.	Description	Compatibility	Modif.	Qty	Notes	Col.	Reman.
1	X08103	Matricola traceability		-			
2	11129787	RELAY, 12V 20A		03			
2	11129885	RELAY, 12V 30A		03			
2	11130287	RELAY, 12V 50A		01			
3	11055990	FUSE, 20A		01			
3	11056090	FUSE, 30A		01			
3	11055490	FUSE, 40A		01			
3	11055590	FUSE, 50A		01			
3	11055690	FUSE, 60A		01			
3	11055790	FUSE, 70A		01			
4	10399690	FUSE, 10A		01			
4	10401090	FUSE, 15A		01			
4	10401190	FUSE, 20A		01			
4	10402190	FUSE, 30A		01			
5	11130885	RELAY, 30A		02			
5	11131585	RELAY, 30A		01			
5	11131087	RELAY, 50A		01			
6	50509531	COVER		01			
7	50509532	SUPPORT		01			
8	50517780	CABLE HARNESS, POT		01			
8	50517781	CABLE HARNESS, SEGN		01			

Legend	
1.6D	HORSE POWER (MARKET):1598
RHD	STEERING:RIGHT

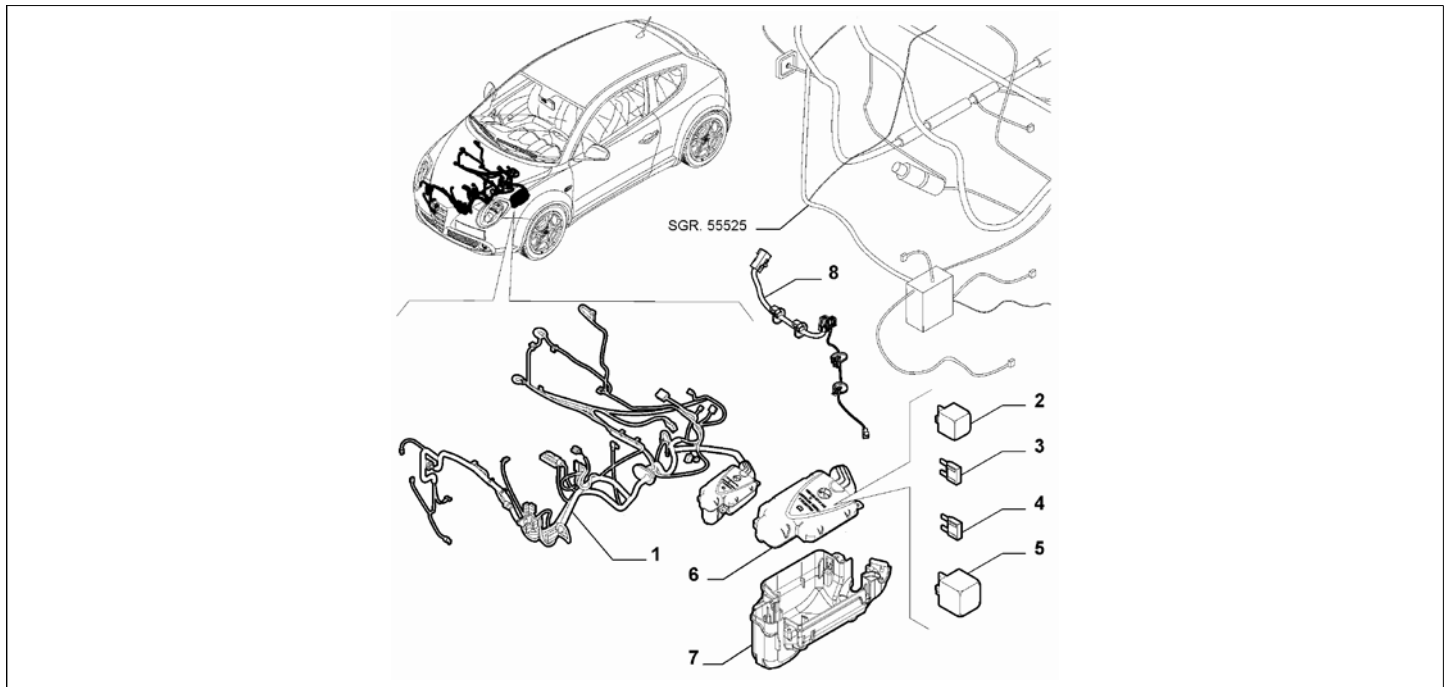
Catalogue	MITO 2008-2011	
Category	18.10 CABLE HARNESS (FRONT)	
Var.	01	LHD + 90HP
Rev.	00	



Part Num.	Description	Compatibility	Modif.	Qty	Notes	Col.	Reman.
1	X08103	Matricola traceability		-			
2	11129787	RELAY, 12V 20A		03			
2	11129885	RELAY, 12V 30A		03			
2	11130287	RELAY, 12V 50A		01			
3	11055990	FUSE, 20A		01			
3	11056090	FUSE, 30A		01			
3	11055490	FUSE, 40A		01			
3	11055590	FUSE, 50A		01			
3	11055690	FUSE, 60A		01			
3	11055790	FUSE, 70A		01			
4	10399690	FUSE, 10A		01			
4	10401090	FUSE, 15A		01			
4	10401190	FUSE, 20A		01			
4	10402190	FUSE, 30A		01			
5	11130885	RELAY, 30A		02			
5	11131585	RELAY, 30A		01			
5	11131087	RELAY, 50A		01			
6	50509531	COVER		01			
7	50509532	SUPPORT		01			

Legend	
LHD	STEERING:LEFT
90HP	POWER:1.3 SDE 90HP EURO4

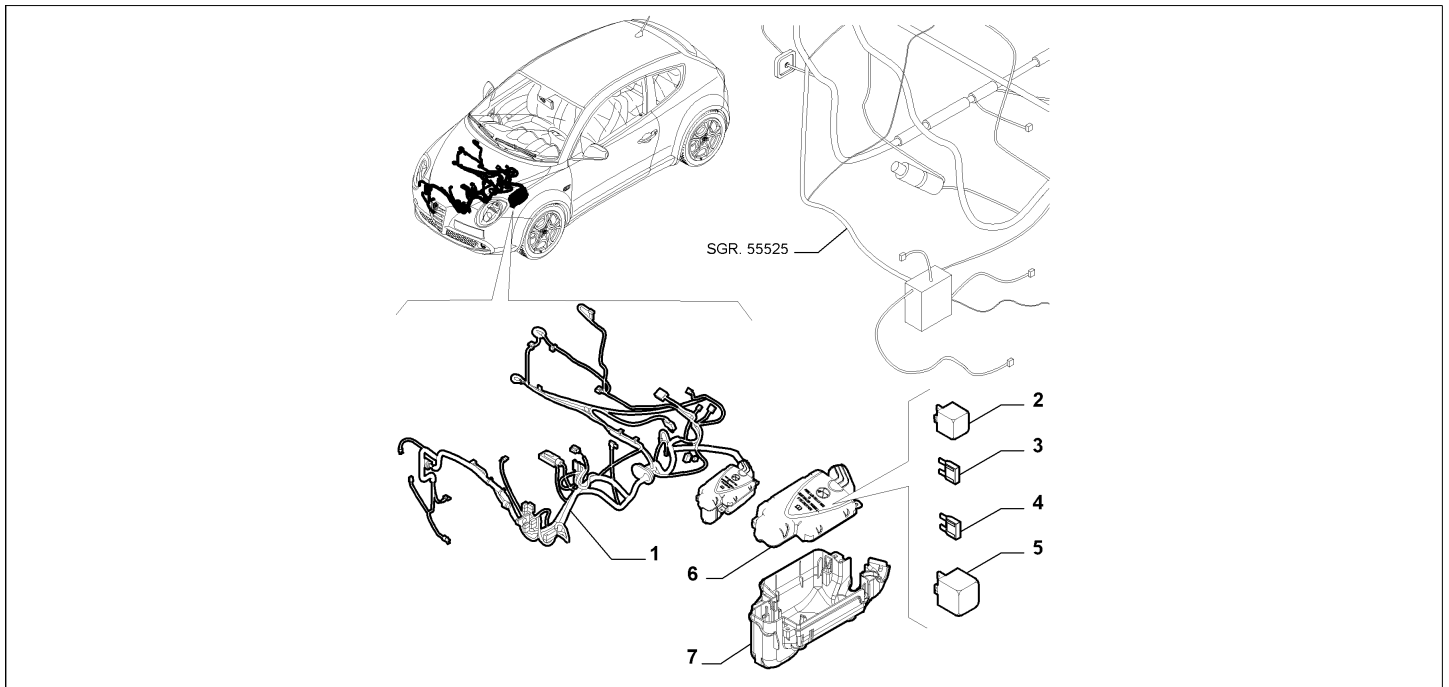
Catalogue	MITO 2008-2011	
Category	18.10 CABLE HARNESS (FRONT)	
Var.	01	RHD + 90HP
Rev.	00	



Part Num.	Description	Compatibility	Modif.	Qty	Notes	Col.	Reman.
1	X08103	Matricola traceability		-			
2	11129787	RELAY, 12V 20A		03			
2	11129885	RELAY, 12V 30A		03			
2	11130287	RELAY, 12V 50A		01			
3	11055990	FUSE, 20A		01			
3	11056090	FUSE, 30A		01			
3	11055490	FUSE, 40A		01			
3	11055590	FUSE, 50A		01			
3	11055690	FUSE, 60A		01			
3	11055790	FUSE, 70A		01			
4	10399690	FUSE, 10A		01			
4	10401090	FUSE, 15A		01			
4	10401190	FUSE, 20A		01			
4	10402190	FUSE, 30A		01			
5	11130885	RELAY, 30A		02			
5	11131585	RELAY, 30A		01			
5	11131087	RELAY, 50A		01			
6	50509531	COVER		01			
7	50509532	SUPPORT		01			
8	50517780	CABLE HARNESS, POT		1			
8	50517781	CABLE HARNESS, SEGN		1			

Legend	
RHD	STEERING:RIGHT
90HP	POWER:1.3 SDE 90HP EURO4

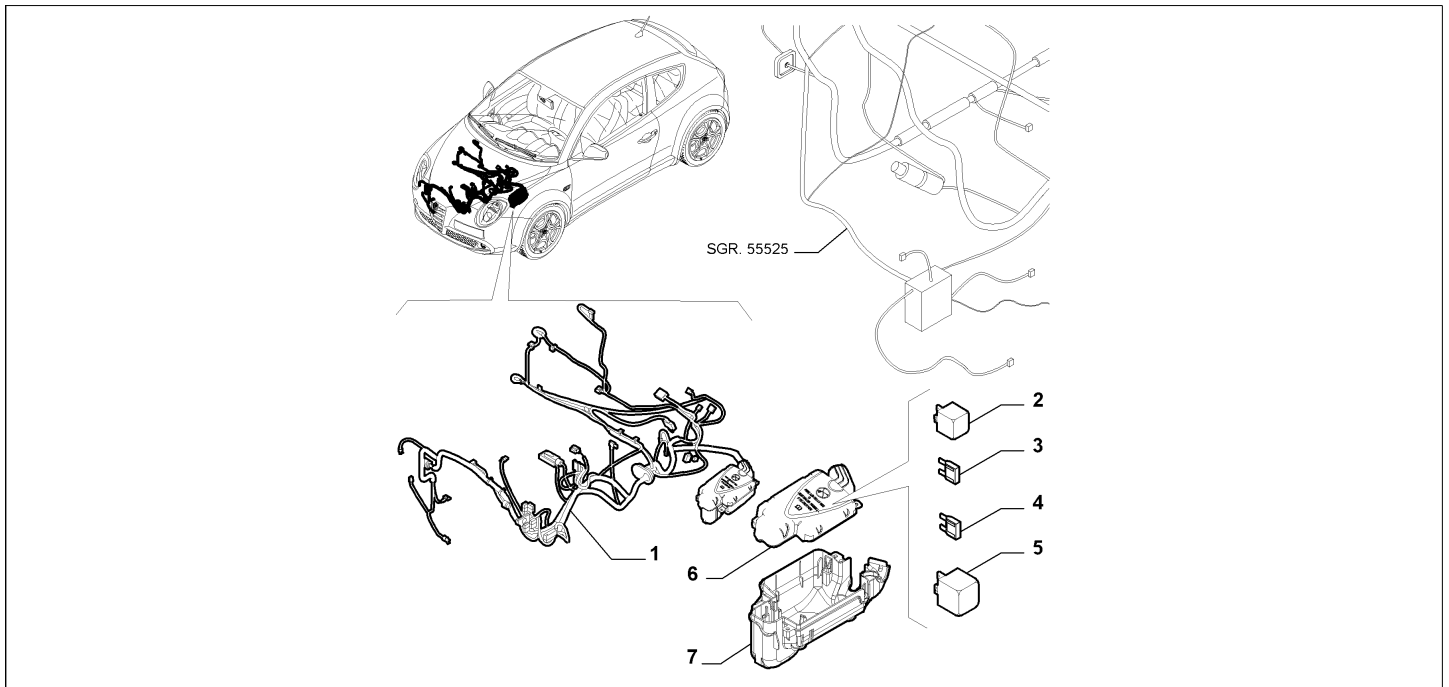
Catalogue	MITO 2008-2011	
Category	18.10 CABLE HARNESS (FRONT)	
Var.	01	RHD + 95HP
Rev.	00	



Part Num.	Description	Compatibility	Modif.	Qty	Notes	Col.	Reman.
1	X08103	Matricola traceability		-			
2	11129787	RELAY, 12V 20A		03			
2	11129885	RELAY, 12V 30A		03			
2	11130287	RELAY, 12V 30A		01			
3	11055990	FUSE, 20A		01			
3	11056090	FUSE, 30A		01			
3	11055490	FUSE, 40A		01			
3	11055590	FUSE, 50A		01			
3	11055790	FUSE, 70A		01			
4	10399690	FUSE, 10A		01			
4	10401090	FUSE, 15A		01			
4	10401190	FUSE, 20A		01			
4	10402190	FUSE, 30A		01			
5	11130885	RELAY, 30A		02			
5	11131585	RELAY, 30A		01			
5	11131087	RELAY, 50A		01			
6	50509531	COVER		01			
7	50509532	SUPPORT		01			

Legend	
RHD	STEERING:RIGHT
95HP	POWER:95HP

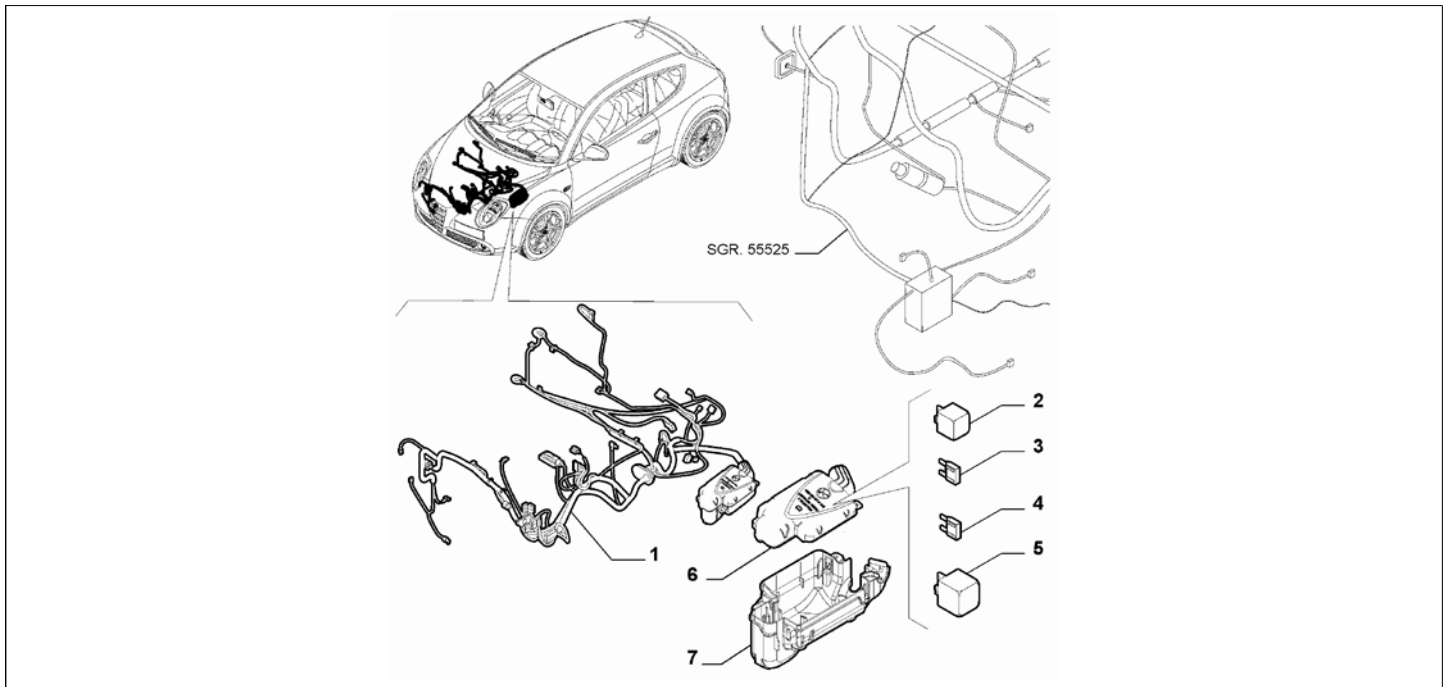
Catalogue	MITO 2008-2011	
Category	18.10 CABLE HARNESS (FRONT)	
Var.	01	RHD + 1.6D + S/S
Rev.	00	



Part Num.	Description	Compatibility	Modif.	Qty	Notes	Col.	Reman.
1	X08103	Matricola traceability		-			
2	11129787	RELAY, 12V 20A		03			
2	11129885	RELAY, 12V 30A		03			
2	11130287	RELAY, 12V 50A		01			
3	11055990	FUSE, 20A		01			
3	11056090	FUSE, 30A		01			
3	11055490	FUSE, 40A		01			
3	11055590	FUSE, 50A		01			
3	11055690	FUSE, 60A		01			
3	11055790	FUSE, 70A		01			
4	10399690	FUSE, 10A		01			
4	10401090	FUSE, 15A		01			
4	10401190	FUSE, 20A		01			
4	10402190	FUSE, 30A		01			
5	11130885	RELAY, 30A		02			
5	11131585	RELAY, 30A		01			
5	11131087	RELAY, 50A		01			
6	50509531	COVER		01			
7	50509532	SUPPORT		01			

Legend	
S/S	STOP&START
1.6D	HORSE POWER (MARKET):1598
RHD	STEERING:RIGHT

Catalogue	MITO 2008-2011	
Category	18.10 CABLE HARNESS (FRONT)	
Var.	01	LHD + 95HP
Rev.	00	



Part Num.	Description	Compatibility	Modif.	Qty	Notes	Col.	Reman.
1	X08103	Matricola traceability		-			
2	11129787	RELAY, 12V 20A CONTACTOR		3			
2	11129885	RELAY, 12V 30A CONTACTOR		3			
2	11130287	RELAY, 12V 30A CONTACTOR		1			
3	11055990	FUSE, 20A FUSE		1			
3	11056090	FUSE, 30A FUSE		1			
3	11055490	FUSE, 40A FUSE		1			
3	11055590	FUSE, 50A FUSE		1			
3	11055790	FUSE, 70A FUSE		1			
4	10399690	FUSE, 10A FUSE		1			
4	10401090	FUSE, 15A FUSE		1			
4	10401190	FUSE, 20A FUSE		1			
4	10402190	FUSE, 30A FUSE		1			
5	11130885	RELAY, 30A CONTACTOR		1			
5	11131585	RELAY, 30A CONTACTOR		1			
5	11131087	RELAY, 50A CONTACTOR		1			
6	50509531	COVER, COVER		1			
7	50509532	SUPPORT, SUPPORTO		1			

Legend	
LHD	STEERING:LEFT
95HP	POWER:95HP