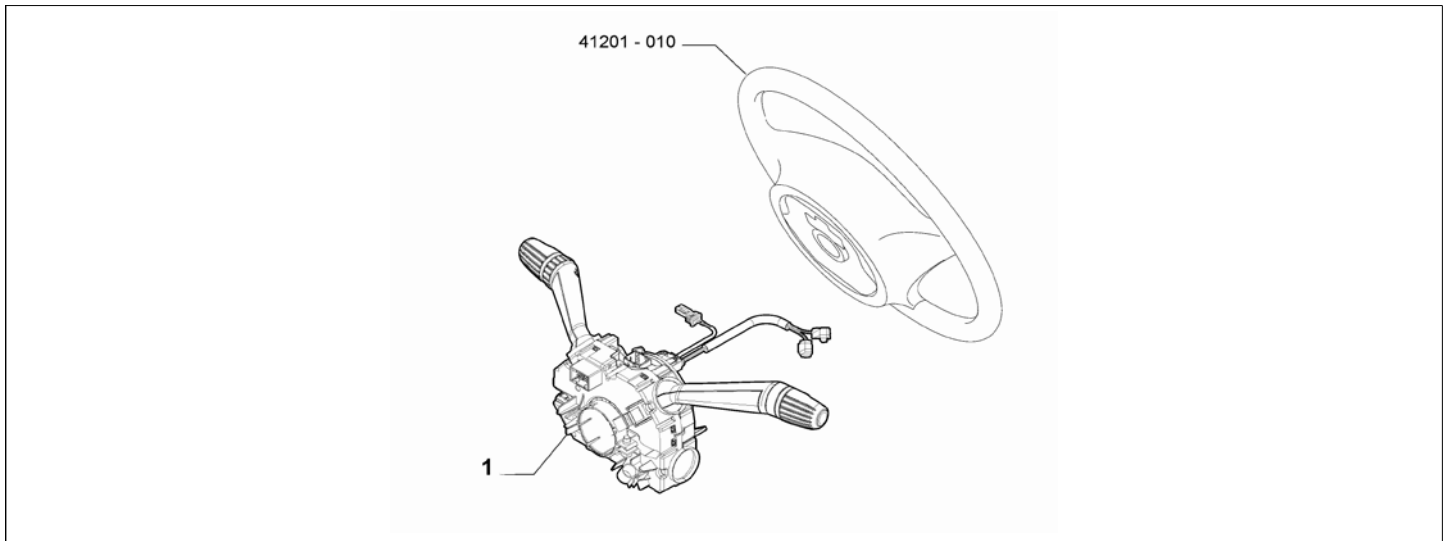


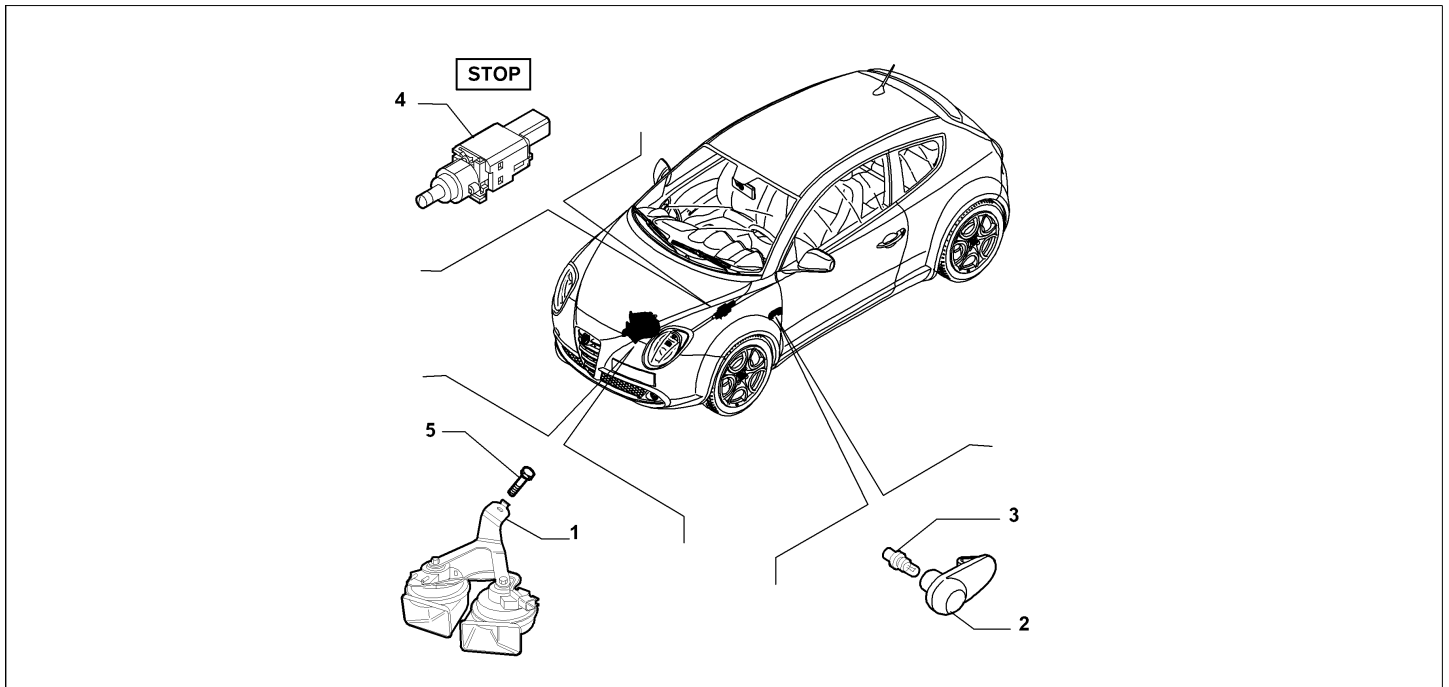
Catalogue	MITO 2008-2011	
Category	18.1 SIGNALLING DEVICES	
Var.	01	
Rev.	00	



Part Num.	Description	Compatibility	Modif.	Qty	Notes	Col.	Reman.
1	156105935	SWITCH UNIT	!051+!245+!347+!416+!5BH+!709	1			
1	156105928	SWITCH UNIT	!051+!245+!347+!416+!5BH+!709	1			
1	156105929	SWITCH UNIT	051+!245+347+!416+!5BH+!709	1			
1	156105930	SWITCH UNIT	!051+245+!347+!416+!5BH+!709	1			
1	156105930	SWITCH UNIT	!051+!245+!347+!416+!5BH+709	1			
1	156105930	SWITCH UNIT	!051+!347+!416+5BH	1			
1	156105931	SWITCH UNIT	051+!245+347+!416+!5BH+!709	1			
1	156105932	SWITCH UNIT	!051+245+!347+!416+!5BH+!709	1			
1	156105932	SWITCH UNIT	!051+!245+!347+!416+!5BH+709	1			
1	156105932	SWITCH UNIT	!051+!347+!416+5BH	1			
1	156105933	SWITCH UNIT	051+245+347+!416+!5BH+!709	1			
1	156105933	SWITCH UNIT	051+!245+347+!416+!5BH+709	1			
1	156105933	SWITCH UNIT	051+347+!416+5BH	1			
1	156105934	SWITCH UNIT	051+245+347+!416+!5BH+!709	1			
1	156105934	SWITCH UNIT	051+!245+347+!416+!5BH+709	1			
1	156105934	SWITCH UNIT	051+347+!416+5BH	1			

Legend	
051	AUTOMATIC HEADLAMP ACTIVATION DEVICE (DUSK)
245	STEERING WHEEL CONTROLS
347	RAIN SENSOR
416	CRUISE CONTROL
5BH	STEERING WHEEL CONTROLS 2
709	PHONE/RADIO CONTROLS ON THE STEERING WHEEL

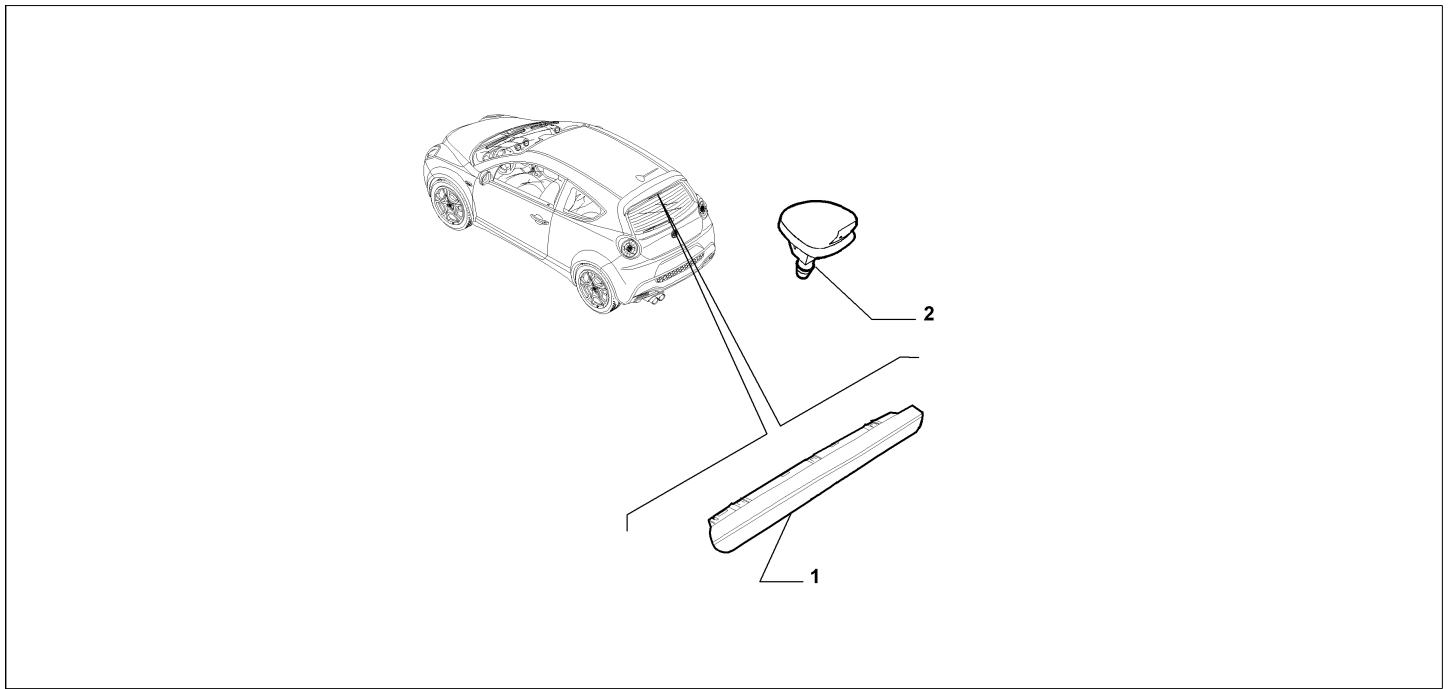
Catalogue	MITO 2008-2011	
Category	18.1 SIGNALLING DEVICES	
Var.	02	
Rev.	00	



Part Num.	Description	Compatibility	Modif.	Qty	Notes	Col.	Reman.
1	50510965	WARNING HORN	LHD	1			
1	50511791	WARNING HORN	RHD	1			
2	51822766	SIDE LAMP		02			
3	14144191	BULB, 5W		02			
4	50512681	SWITCH		01			
5	55192179	SCREW, M6X16		01			

Legend	
RHD	STEERING:RIGHT
LHD	STEERING:LEFT

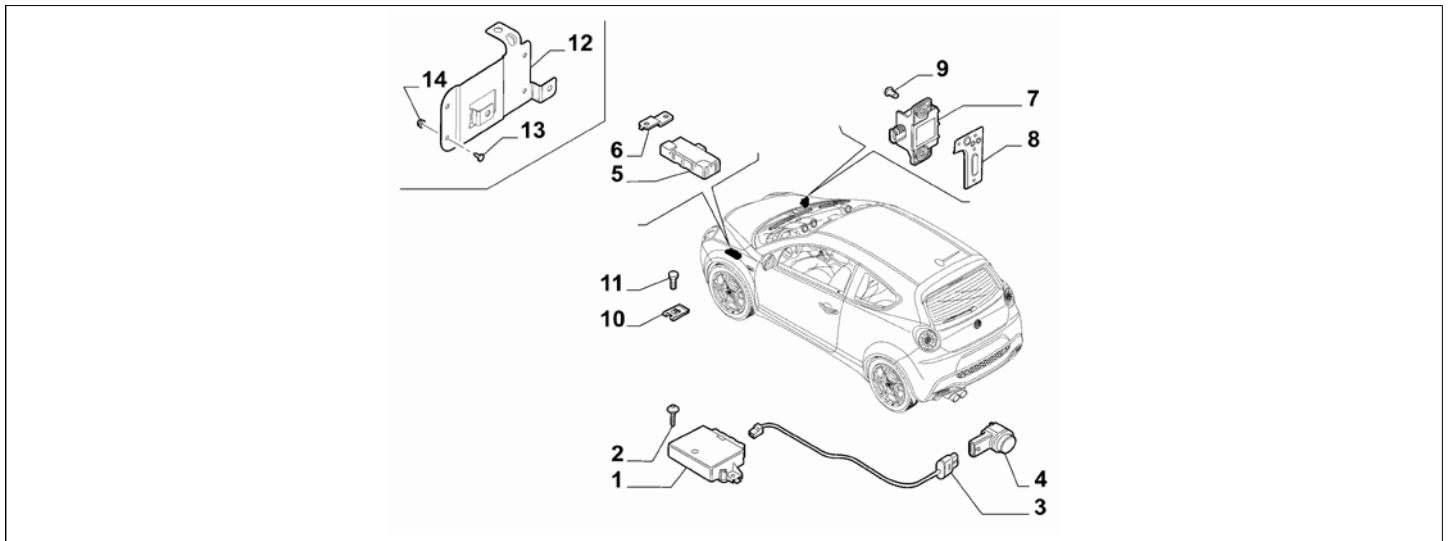
Catalogue	MITO 2008-2011	
Category	18.1 SIGNALLING DEVICES	
Var.	03	
Rev.	00	



Part Num.	Description	Compatibility	Modif.	Qty	Notes	Col.	Reman.
1	50508598 TAIL LAMP		C14718	1			
1	50521013 TAIL LAMP		D14718	1			
2	735465214 SPRINKLE			1			

Legend	
14718	New high-mounted stop light due to condensers added [DAT 28/01/2011]

Catalogue	MITO 2008-2011	
Category	18.1 SIGNALLING DEVICES	
Var.	04	
Rev.	00	



Part Num.	Description	Compatibility	Modif.	Qty	Notes	Col.	Reman.
1	50524069	ELECTRONIC CONTROL UNIT	508		1		
2	16082201	SCREW, 3X10	365		04		
3	50515642	CABLE HARNESS	508		01		
4	71753101	SENSOR	508		02	COL-099	
4	51903464	SENSOR	508		02		
5	50508458	ELECTRONIC CONTROL UNIT	365		01		
6	51750628	BRACKET	365		02		
7	51703622	SENDING UNIT, ANTENNA	365		04		
8	51769442	BRACKET, RH REAR	365		01		
8	51769443	BRACKET, LH REAR	365		01		
9	14640790	RIVET			12		
10	14189776	PLATE	365		02		
11	15690801	SCREW	365		02		
12	50517624	BRACKET, ECU BRACKET	TCT		1		
13	51756626	RIVET	TCT		1		
14	14059211	NUT	TCT		1		

Legend	
TCT	SPECIFIC GEARBOX
365	TPMS (TIREFPRESSURE MONITORING SYSTEM)
508	PARKING SENSOR
COL-099	PREPARED FOR PAINTING