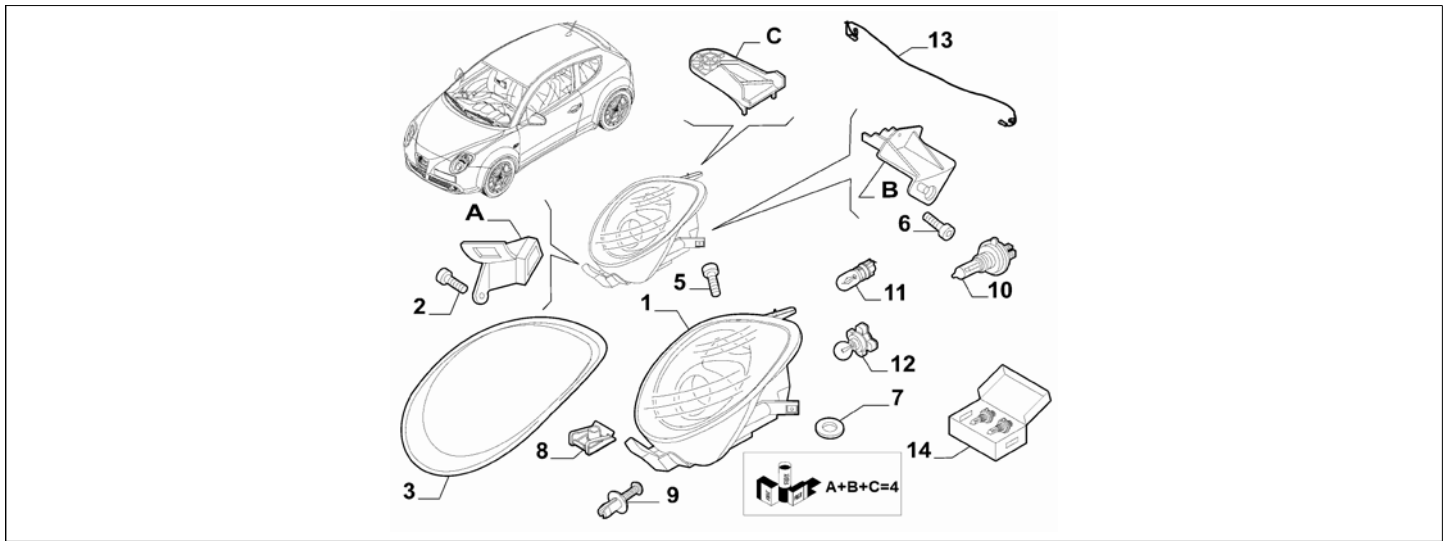


Catalogue	MITO 2008-2011	
Category	17.1 OUTER LIGHTING	
Var.	01	
Rev.	00	



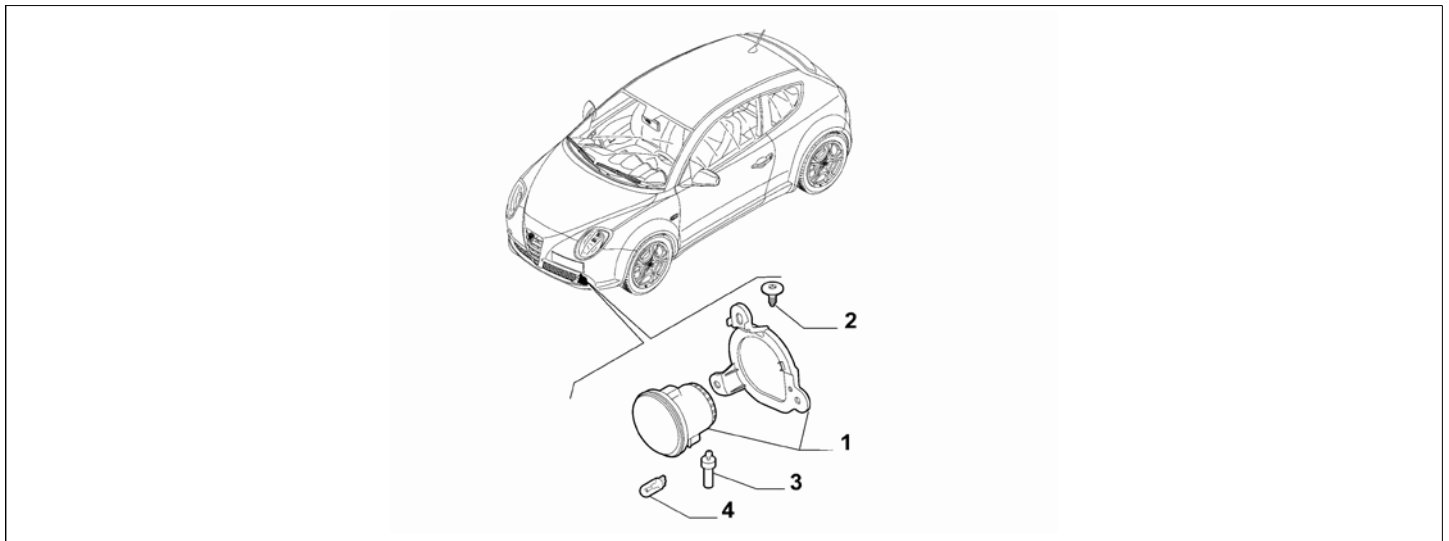
Part Num.	Description	Compatibility	Modif.	Qty	Notes	Col.	Reman.
1	50518343	HEADLAMP, RIGHT	093+1230+5EM	C13990	01		
1	50520252	HEADLAMP, RIGHT	093+1230+5EM	D13990, C14458	01		
1	50521534	HEADLAMP, RIGHT	093+1230+5EM	D14458	01		
1	50518342	HEADLAMP, LEFT	093+1230+5EM	C13990	01		
1	50520256	HEADLAMP, LEFT	093+1230+5EM	D13990, C14458	01		
1	50521533	HEADLAMP, LEFT	093+1230+5EM	D14458	01		
1	50518345	HEADLAMP, RIGHT	093+230+5EM	C13990	01		
1	50520253	HEADLAMP, RIGHT	093+230+5EM	D13990, C14458	01		
1	50521537	HEADLAMP, RIGHT	093+230+5EM	D14458	01		
1	50518344	HEADLAMP, LEFT	093+230+5EM	C13990	01		
1	50520257	HEADLAMP, LEFT	093+230+5EM	D13990, C14458	01		
1	50521540	HEADLAMP, LEFT	093+230+5EM	D14458	01		
1	50518347	HEADLAMP, RIGHT	094+1230+5EM	C13990	01		
1	50520254	HEADLAMP, RIGHT	094+1230+5EM	D13990, C14458	01		
1	50521535	HEADLAMP, RIGHT	094+1230+5EM	D14458	01		
1	50518346	HEADLAMP, LEFT	094+1230+5EM	C13990	01		
1	50520258	HEADLAMP, LEFT	094+1230+5EM	D13990, C14458	01		
1	50521536	HEADLAMP, LEFT	094+1230+5EM	D14458	01		
1	50518349	HEADLAMP, RIGHT	094+230+5EM	C13990	01		
1	50520255	HEADLAMP, RIGHT	094+230+5EM	D13990, C14458	01		
1	50521538	HEADLAMP, RIGHT	094+230+5EM	D14458	01		
1	50518348	HEADLAMP, LEFT	094+230+5EM	C13990	01		
1	50520259	HEADLAMP, LEFT	094+230+5EM	D13990, C14458	01		
1	50521539	HEADLAMP, LEFT	094+230+5EM	D14458	01		
1	50508590	HEADLAMP, RIGHT	093+1230+15EM		1		
1	50508591	HEADLAMP, RIGHT	094+1230+15EM		1		
1	50508592	HEADLAMP, LEFT	093+1230+15EM		1		

1	50508593	HEADLAMP, LEFT	094+1230+15EM		1		
1	50508617	HEADLAMP, RIGHT	093+230+15EM		1		
1	50508618	HEADLAMP, RIGHT	094+230+15EM		1		
1	50508619	HEADLAMP, LEFT	093+230+15EM		1		
1	50508620	HEADLAMP, LEFT	094+230+15EM		1		
2	15902609	SCREW			10		
3	156087326	FRAME, RIGHT	5D9		1	SATIN-FINISHED TITANIUM	
3	156085843	FRAME, RIGHT	5DA		1	MATT ANTHRACITE	
3	156085844	FRAME, RIGHT	5DB		1	SHINING CHROME	
3	156085845	FRAME, RIGHT	5DC		1	SATIN-FINISHED ICE CHROME	
3	156087427	FRAME, RIGHT	5IF, 5IG, 5IH, 5II, 5IK, 5IM		1	WITH PRIMER	
3	156087427	FRAME, RIGHT	5IN, 5IP, 5IQ, 5IR		1	WITH PRIMER	
3	156087316	FRAME, LEFT	5D9		1	SATIN-FINISHED TITANIUM	
3	156085847	FRAME, LEFT	5DA		1	MATT ANTHRACITE	
3	156085848	FRAME, LEFT	5DB		1	SHINING CHROME	
3	156085849	FRAME, LEFT	5DC		1	SATIN-FINISHED ICE CHROME	
3	156087426	FRAME, LEFT	5IF, 5IG, 5IH, 5II, 5IK, 5IM		1	WITH PRIMER	
3	156087426	FRAME, LEFT	5IN, 5IP, 5IQ, 5IR		1	SUPPLIED WITH PRIMER	
4	50514988	CLAMPING KIT, RIGHT			01		
4	50514989	CLAMPING KIT, LEFT			01		
5	10872914	SCREW, M6X25			04		
6	10903224	SCREW, M6X40			02		
7	12647604	PLANE WASHER, 6X16			02		
8	14189071	BRACKET, M6			02		
9	7556533	RIVET			02		
10	A 14145090	BULB, ABB.H7 55W			02		
10	A 6001073398	BULB, ESSENTIAL PARTS			02		
10	A 14145090	BULB, ANAB. H7 55W			02		
10	A 6001073398	BULB, ESSENTIAL PARTS			02		
10	71779057	BULB, ANAB. E230			02		
11	71753190	BULB, POS.W21/5W			02		
12	77364975	BULB HOLDER			02		
13	50515643	CABLE HARNESS			1		
14	6000625011	KIT BULBS, H7 PRIME YELLOW			1		
14	6000625012	KIT BULBS, H7 PRIME BLUE			1		
14	6000625013	KIT BULBS, H7 PRIME PURPLE			1		
14	6000625014	KIT BULBS, H7 PRIME GREEN			1		
14	6000625004	KIT BULBS, H7 PRIME DEEP VISION			1		
14	6000625006	KIT BULBS, H7 PRIME XENON EFFECT			1		

Legend	
093	HEADLAMPS FOR VIABILITY ON RIGHT SIDE
094	HEADLAMPS FOR VIABILITY ON LEFT SIDE
230	GAS DISCHARGE HEADLIGHTS
5D9	AESTHETIC KIT 4
5DA	AESTHETIC KIT 5
5DB	AESTHETIC KIT 6
5DC	AESTHETIC KIT 7
5EM	SPECIFIC HEADLIGHTS
5IF	FRAMES 1
5IG	FRAMES 2
5IH	FRAMES 3
5II	FRAMES 4
5IK	FRAMES 6

5IM	FRAMES 8
5IN	FRAMES 9
5IP	FRAMES 10
5IQ	FRAMES 11
5IR	FRAMES 12
13990	NEW QUADRIFOGLIO VERDE HEADLIGHTS [DAT 10/09/2010]
14458	NEW HEADLAMPS FOR INNER MASKING TREATMENT CHANGE [DAT 15/09/2010]

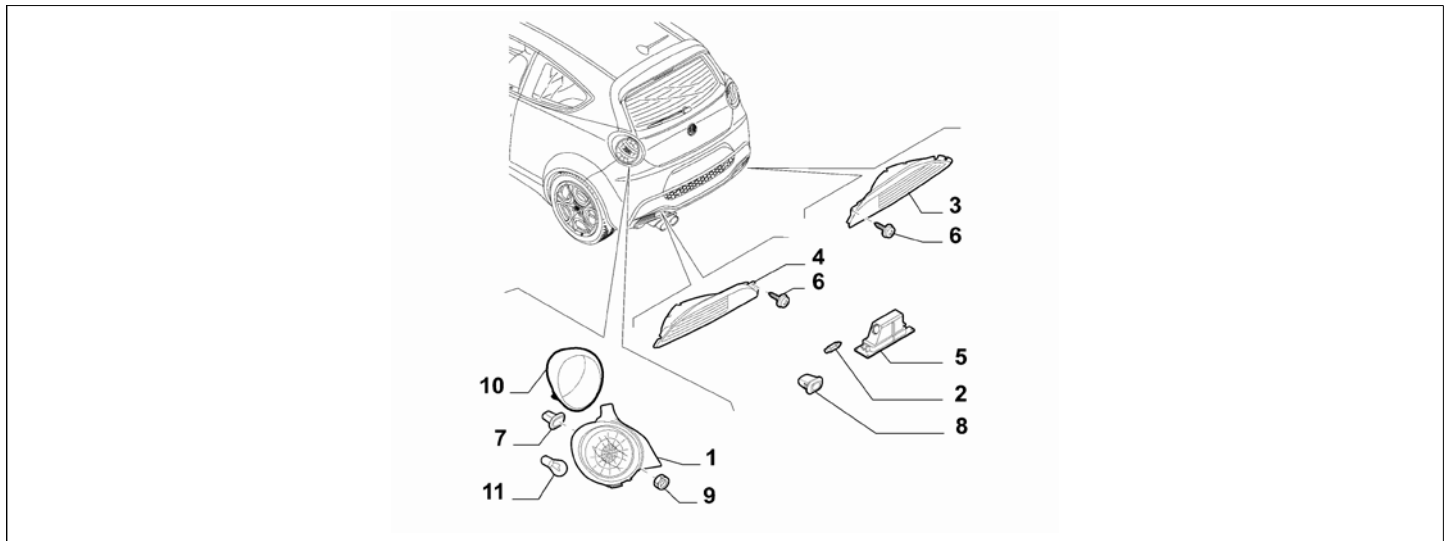
Catalogue	MITO 2008-2011	
Category	17.1 OUTER LIGHTING	
Var.	02	
Rev.	00	



Part Num.	Description	Compatibility	Modif.	Qty	Notes	Col.	Reman.
1	50508594 FOG LAMP, RH	097		1			
1	50508595 FOG LAMP, LH	097		1			
2	46430568 CLAMPING KIT	097		06			
3	71753060 PLUG	097		02			
4 A	14151095 BULB, H1 12V			1			
4 A	6001073401 BULB, ESSENTIAL PARTS			1			

Legend	
097	FOG LIGHT

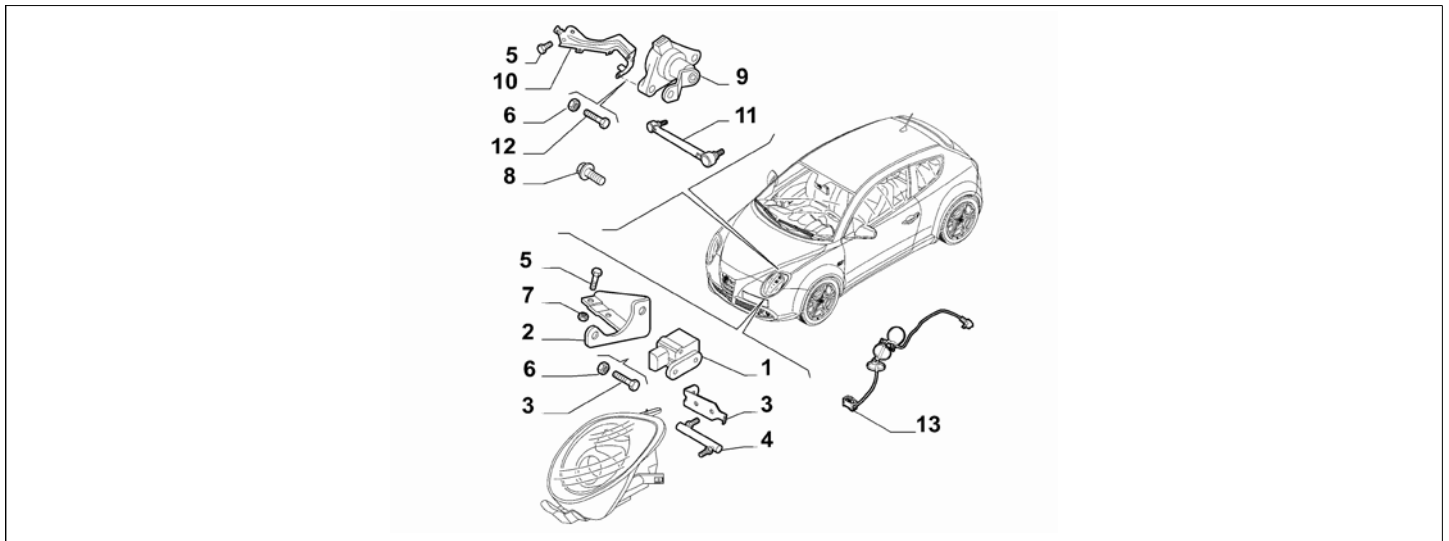
Catalogue	MITO 2008-2011	
Category	17.1 OUTER LIGHTING	
Var.	03	
Rev.	00	



Part Num.	Description	Compatibility	Modif.	Qty	Notes	Col.	Reman.
1	71752162	TAIL LAMP, RIGHT		01			
1	71752163	TAIL LAMP, LEFT		01			
2	14144190	BULB		02			
3	51718011	BACK-UP LAMP	093	1			
3	51718013	BACK-UP LAMP	094	1			
4	51718012	FOGLIGHT	093+1793	1			
4	51718014	FOGLIGHT	094	1			
4	51718013	BACK-UP LAMP	093+793	1			
5	51767932	NUMBER PLATE LAMP, RIGHT		1			
5	51762788	NUMBER PLATE LAMP, LEFT		1			
6	15903901	SCREW, 10X16		02			
7	51780668	SPACER		02			
8	1384112080	BOOT, 7X12		02			
9	13046118	NUT, M6		06			
10	71752164	FRAME, RIGHT	58H	01	WITH PRIMER		
10	71752165	FRAME, LEFT	58H	01	WITH PRIMER		
10	71752166	FRAME, RIGHT	5DA	01	MATT ANTHRACITE		
10	71752167	FRAME, LEFT	5DA	01	MATT ANTHRACITE		
10	71752168	FRAME, RIGHT	5DB	01	SHINING CHROME		
10	71752169	FRAME, LEFT	5DB	01	SHINING CHROME		
10	71752170	FRAME, RIGHT	5DC	01	SATIN-FINISHED ICE CHROME		
10	71752171	FRAME, LEFT	5DC	01	SATIN-FINISHED ICE CHROME		
10	71752172	FRAME, RIGHT	5D9	01	SATIN-FINISHED TITANIUM		
10	71752173	FRAME, LEFT	5D9	01	SATIN-FINISHED TITANIUM		
11 A	14148190	BULB		02			
11 A	6001073399	BULB, ESSENTIAL PARTS		02			

Legend	
093	HEADLAMPS FOR VIABILITY ON RIGHT SIDE
094	HEADLAMPS FOR VIABILITY ON LEFT SIDE
58H	PAINTED EXTERIOR TRIMS
5D9	AESTHETIC KIT 4
5DA	AESTHETIC KIT 5
5DB	AESTHETIC KIT 6
5DC	AESTHETIC KIT 7
793	ADDITIONAL REVERSE LIGHT

Catalogue	MITO 2008-2011	
Category	17.1 OUTER LIGHTING	
Var.	04	
Rev.	00	



Part Num.	Description	Compatibility	Modif.	Qty	Notes	Col.	Reman.
1	60684903 SWITCH, ANT	230		01			
2	50513124 BRACKET, ANT	230		01			
3	50513125 BRACKET, ANT	230		01			
4	60684908 LINK ROD, ANT	230		01			
5	13820114 SCREW, 5X20	230		02			
6	13046118 NUT, M6	230		02			
7	15609211 RIVET, M6X16	230		02			
8	11612624 SCREW AND WASHERASSY, M6X20	230		02			
9	50513123 SENDING UNIT, REAR	230		01			
10	50517936 BRACKET, REAR	230		01			
11	50513128 LINK ROD, REAR	230		01			
12	11612424 SCREW AND WASHERASSY, REAR	230		01			
13	50512099 ELECTRIC CABLE	230		1			

Legend	
230	GAS DISCHARGE HEADLIGHTS