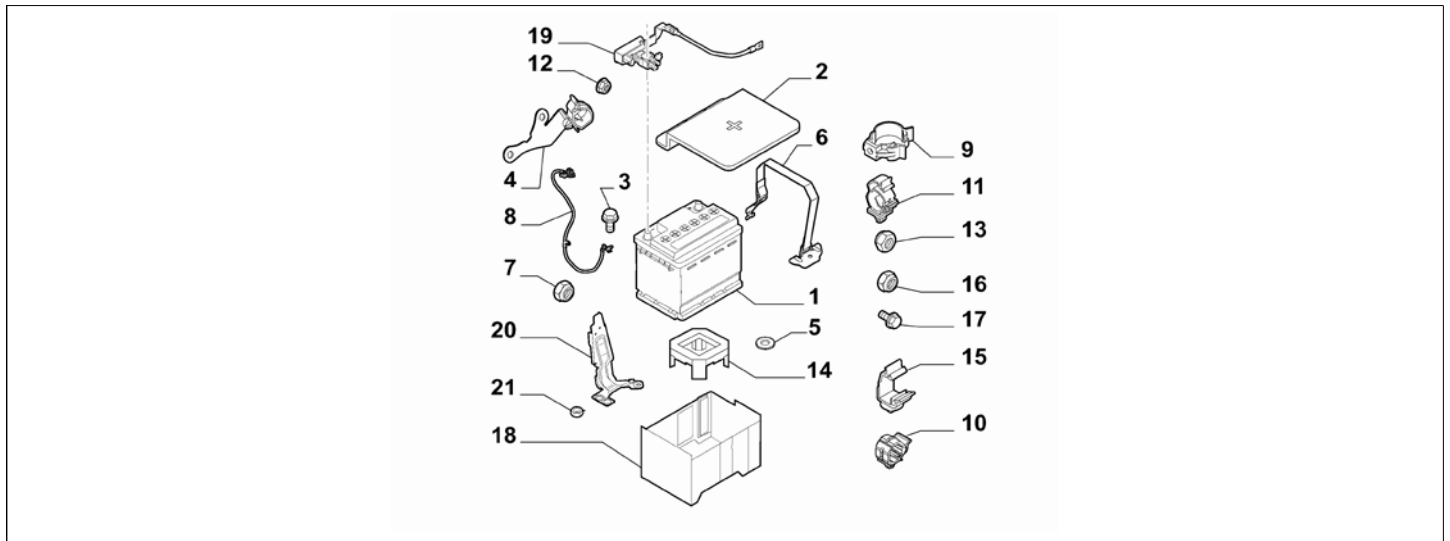


Catalogue	MITO 2008-2011	
Category	16.1 BATTERY	
Var.	01	
Rev.	00	



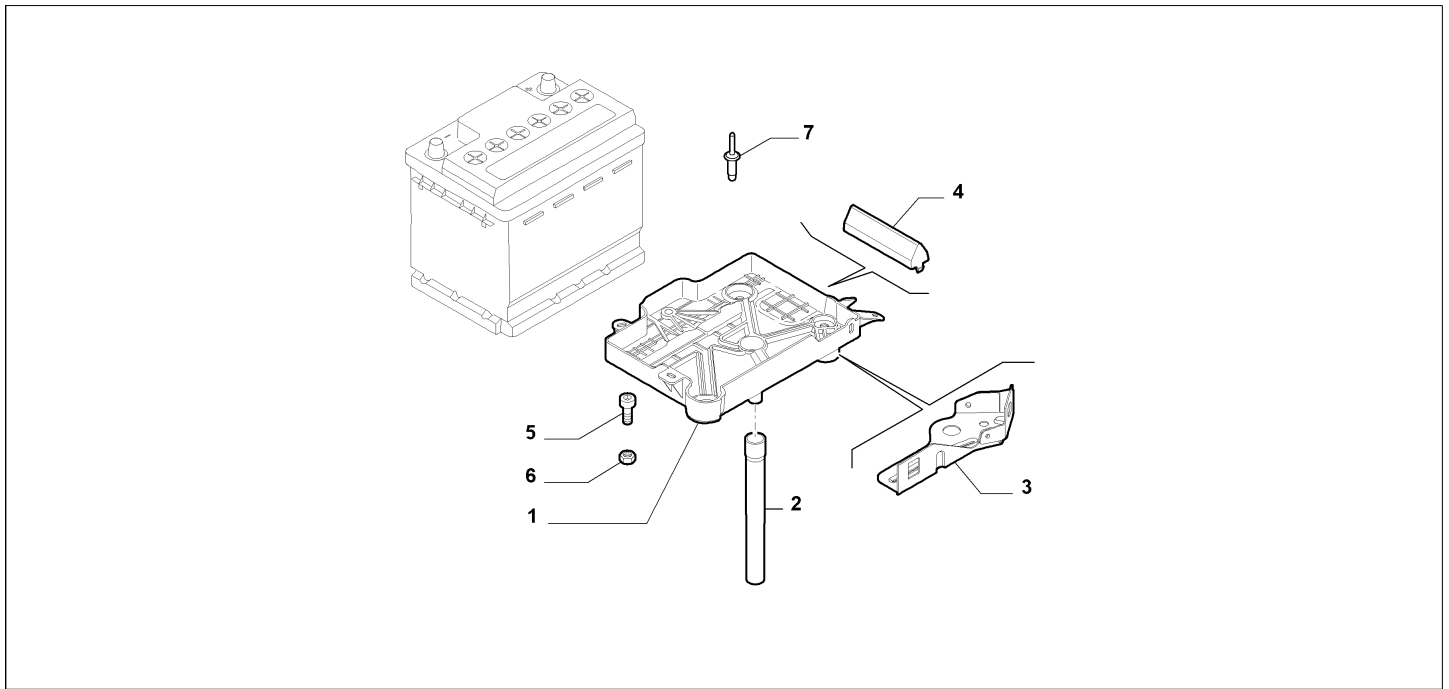
	Part Num.	Description	Compatibility	Modif.	Qty	Notes	Col.	Reman.
1	A 6000627549	BATTERY, 70AH 680(EN)			01			
1	A 6001073111	BATTERY, ESSENTIAL PARTS			01			
1	A 6000627544	BATTERY, 50AH/420(EN)			01			
1	A 6001073109	BATTERY, ESSENTIAL PARTS			01			
1	A 6000627546	BATTERY, 60AH 600 (EN)			01			
1	A 6001073110	BATTERY, ESSENTIAL PARTS			01			
1	A 71765419	BATTERY, 72AH-570A (EN)			01			
1	A 6001073467	BATTERY, ESSENTIAL PARTS			01			
1	A 71752830	BATTERY, 63AH-450A (EN)			01			
1	A 6001073466	BATTERY, ESSENTIAL PARTS			01			
2	46835554	PROTECTION			01			
3	811900330	SCREW, M8X20			01			
3	16287021	SCREW, M8X16			01			
4	51801847	BRACKET	1.4+155HP		01			
4	51801847	BRACKET	1.4+170HP	C14464	01			
4	51890539	BRACKET	1.4+170HP	D14464	01			
5	811900440	NUT, M8			01			
6	55701548	BRACKET			01			
6	51854759	BRACKET	S/S		01			
6	50510447	BRACKET	1.6D+129		01			
7	16104411	NUT	52Y		01			
8	50517114	GROUND CABLE	1.4+78HP+ITCT+IS/S		01			
8	50515939	GROUND CABLE	1.4+105HP+ITCT+S/S	C14108	01			
8	50518739	GROUND CABLE	1.4+105HP+ITCT+S/S	D14108	01			
8	50516538	GROUND CABLE	1.4+120HP+ITCT+IS/S		01			
8	50515941	GROUND CABLE	1.4+135HP+ITCT+S/S	C14108	01			
8	50518740	GROUND CABLE	1.4+135HP+ITCT+S/S	D14108	01			
8	50511580	GROUND CABLE	IS/S+ITCT+(90HP, 1.6D+120HP)		01			
8	50519024	GROUND CABLE	1.6D+120HP+S/S+ITCT		01			
8	50516538	GROUND CABLE	1.4+120HP+IS/S		01			

8	50517630	GROUND CABLE	1.3D+95HP+ITCT+S/S	C14108	01			
8	50518738	GROUND CABLE	1.3D+95HP+ITCT+S/S	D14108	01			
8	50515942	GROUND CABLE	1.4+135HP+TCT+S/S	C14108	01			
8	50520768	GROUND CABLE	1.4+135HP+TCT+S/S	D14108	01			
8	50515940	GROUND CABLE	1.4+170HP+ITCT+S/S	C14108	01			
8	50518735	GROUND CABLE	1.4+170HP+ITCT+S/S	D14108	01			
8	50511579	GROUND CABLE	1.4+155HP+ITCT+S/S		1			
8	50518738	GROUND CABLE	1.3D+85HP		01			
9	51790498	CLIP			01			
10	51755832	CLIP			01			
11	46817858	CLIP	1.6D		01			
12	14059211	NUT	78HP, 105HP, 1.4+120HP, 155HP, 135HP, 170HP		02			
13	16104115	NUT	1.6D		01			
14	10523887	INSERT			01			
15	51708765	CLIP			01			
16	14075811	NUT	78HP, 105HP, 1.4+120HP, 155HP, 135HP, 170HP		01			
17	16287021	SCREW	1.6D		01			
18	46549036	PROTECTION	1.4+105HP+NOTURBO, 1.4+TURBO+5SF		01			
18	60671269	PROTECTION	5SF		01			
19	51868876	BRANCH CONTROL UNIT	S/S	C14107	01			
19	51872951	BRANCH CONTROL UNIT	S/S	D14107	01			
20	50516582	BRACKET	S/S		01			
21	14059311	NUT	S/S		01			

Legend

129	ADAPTED FOR COLD COUNTRIES
TCT	SPECIFIC GEARBOX
52Y	PTC HEATER FOR DIESEL
S/S	STOP&START
5SF	SPECIFIC FOR SASO MARKET
NOTURBO	(ASPIRATED/TURBO):EXHAUST FAN
TURBO	(ASPIRATED/TURBO):TURBO
1.3D	HORSE POWER (MARKET):1.3
1.4	HORSE POWER (MARKET):1370
1.6D	HORSE POWER (MARKET):1598
155HP	POWER:1.4 FIRE 16V TURBO 155HP (EURO 5)
170HP	POWER:1.4 FIRE 16V TURBO MULTIAIR 170HP EURO 5
78HP	POWER:1.4 FIRE 16V 78HP EURO5
85HP	POWER:1.3 SDE 85HP EURO5
90HP	POWER:1.3 SDE 90HP EURO4
95HP	POWER:95HP
105HP	POWER:1.4 FIRE 16V MULTIAIR 105HP (EURO 5)
120HP	POWER:120HP
135HP	POWER:1.4 FIRE 16V TURBO MULTIAIR 135 HP EURO 5
14107	CHARGE STATUS SENSOR WITH RADSOK CONNECTOR [DAT 12/02/2010]
14108	NEW NEGATIVE BATTERY CABLES WITH RADSOK CONNECTOR [DAT 17/03/2010]
14464	ADOPTION OF NEW BATTERY CABLE [DAT 26/11/2010]

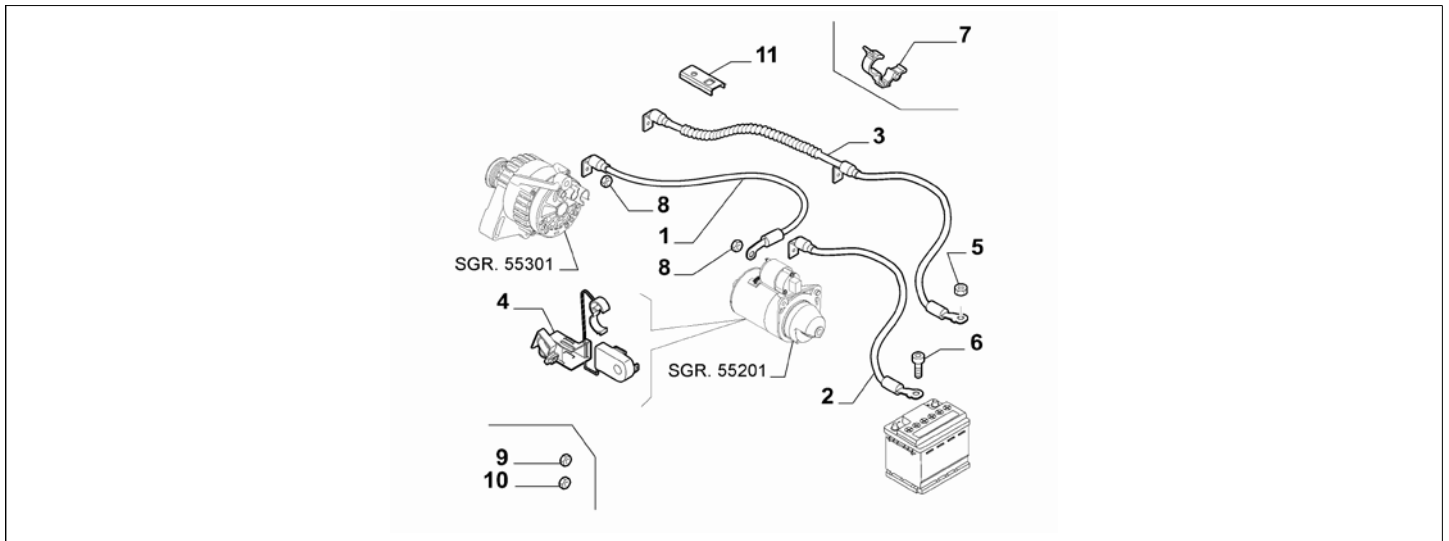
Catalogue	MITO 2008-2011	
Category	16.1 BATTERY	
Var.	02	
Rev.	00	



Part Num.	Description	Compatibility	Modif.	Qty	Notes	Col.	Reman.
1	51895380 CARRIER	NOTURBO+IS/S		1			
1	51895380 CARRIER	1.3D+IS/S		1			
1	51813683 CARRIER	1.6D+1129+IS/S	C14253	1			
1	51888056 CARRIER	1.6D+1129+IS/S	D14253	1			
1	51813683 CARRIER	1.4+TURBO+IS/S	C14253	1			
1	51888056 CARRIER	1.4+TURBO+IS/S	D14253	1			
1	50518764 CARRIER	1.6D+129		01			
1	50518765 CARRIER, COMPL	1.6D+129+IS/S		1			
1	50517255 CARRIER, COMPL	S/S	C14091	1			
1	50518765 CARRIER, COMPL	S/S	D14091	1			
2	55703562 HOSE	1.3D+129+IS/S, 1.4+129+IS/S		1			
2	55703562 HOSE	1129+IS/S		1			
2	50517256 HOSE	1.6D+129+IS/S		1			
2	50517256 HOSE	S/S		1			
3	51913763 BRACKET			01			
3	51913763 BRACKET	S/S		01			
4	46791083 SPACER			01			
5	811900330 SCREW, M8X30			02			
6	811900440 NUT, M8			01			
7	14415790 RIVET	129		02			

Legend	
129	ADAPTED FOR COLD COUNTRIES
S/S	STOP&START
NOTURBO	(ASPIRATED/TURBO):EXHAUST FAN
TURBO	(ASPIRATED/TURBO):TURBO
1.3D	HORSE POWER (MARKET):1.3
1.4	HORSE POWER (MARKET):1370
1.6D	HORSE POWER (MARKET):1598
14091	NEW START & STOP BATTERY TRAY [DAT 17/03/2010]
14253	NEW BATTERY DRIP TRAY [DAT 14/05/2010]

Catalogue	MITO 2008-2011	
Category	16.1 BATTERY	
Var.	03	
Rev.	00	



Part Num.	Description	Compatibility	Modif.	Qty	Notes	Col.	Reman.
1	50509512	ELECTRIC CABLE	1.6D+IS/S	1			
1	50518050	ELECTRIC CABLE	1.6D+S/S	1			
2	51775641	ELECTRIC CABLE		01			
3	50515936	ELECTRIC CABLE	135HP+TCT	1			
3	50516294	ELECTRIC CABLE	1.6D+IS/S	1			
3	50521435	ELECTRIC CABLE	1.6D+S/S	1			
3	50515938	ELECTRIC CABLE	95HP	1			
3	50515935	ELECTRIC CABLE	170HP+ITCT	1	C14464		
3	50515936	ELECTRIC CABLE	170HP+ITCT	1	D14464		
3	50514632	ELECTRIC CABLE	78HP	1			
3	50517696	ELECTRIC CABLE	90HP	1			
3	50515934	ELECTRIC CABLE	105HP	1			
3	50515935	ELECTRIC CABLE	135HP+ITCT	1			
3	50514633	ELECTRIC CABLE	1.4+120HP, 155HP	1			
4	46554401	SHIELD	1.4	1	C14422		
4	51855380	SHIELD	1.3D+S/S	1			
4	7739341	SHIELD	1.6D	1	C14422		
5	14076511	NUT, M8		01			
6	811900330	SCREW, M8X20		01			
7	51790498	CLIP		01			
8	14075611	NUT		01			
9	16104411	NUT, M8		01			
10	14118611	NUT, M5		03			
11	50518761	BRACKET	PETROL	1			

Legend	
TCT	SPECIFIC GEARBOX
S/S	STOP&START
1.3D	HORSE POWER (MARKET):1.3
1.4	HORSE POWER (MARKET):1370
1.6D	HORSE POWER (MARKET):1598
PETROL	FUEL:PETROL
155HP	POWER:1.4 FIRE 16V TURBO 155HP (EURO 5)
170HP	POWER:1.4 FIRE 16V TURBO MULTIAIR 170HP EURO 5

78HP	POWER:1.4 FIRE 16V 78HP EURO5
90HP	POWER:1.3 SDE 90HP EURO4
95HP	POWER:95HP
105HP	POWER:1.4 FIRE 16V MULTIAIR 105HP (EURO 5)
120HP	POWER:120HP
135HP	POWER:1.4 FIRE 16V TURBO MULTIAIR 135 HP EURO 5
14422	CONNECTION PROTECTION ON STARTER MOTOR DISCONTINUED [DAT 22/06/2010]
14464	ADOPTION OF NEW BATTERY CABLE [DAT 26/11/2010]