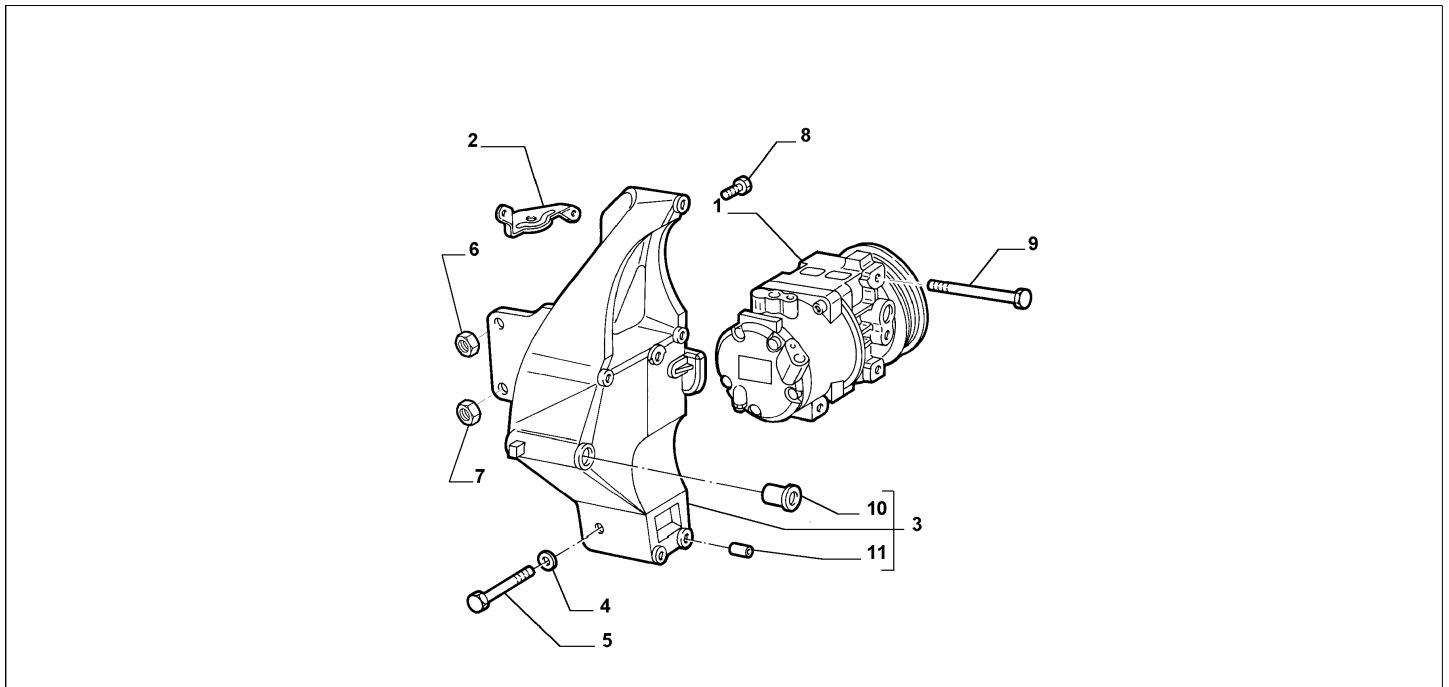


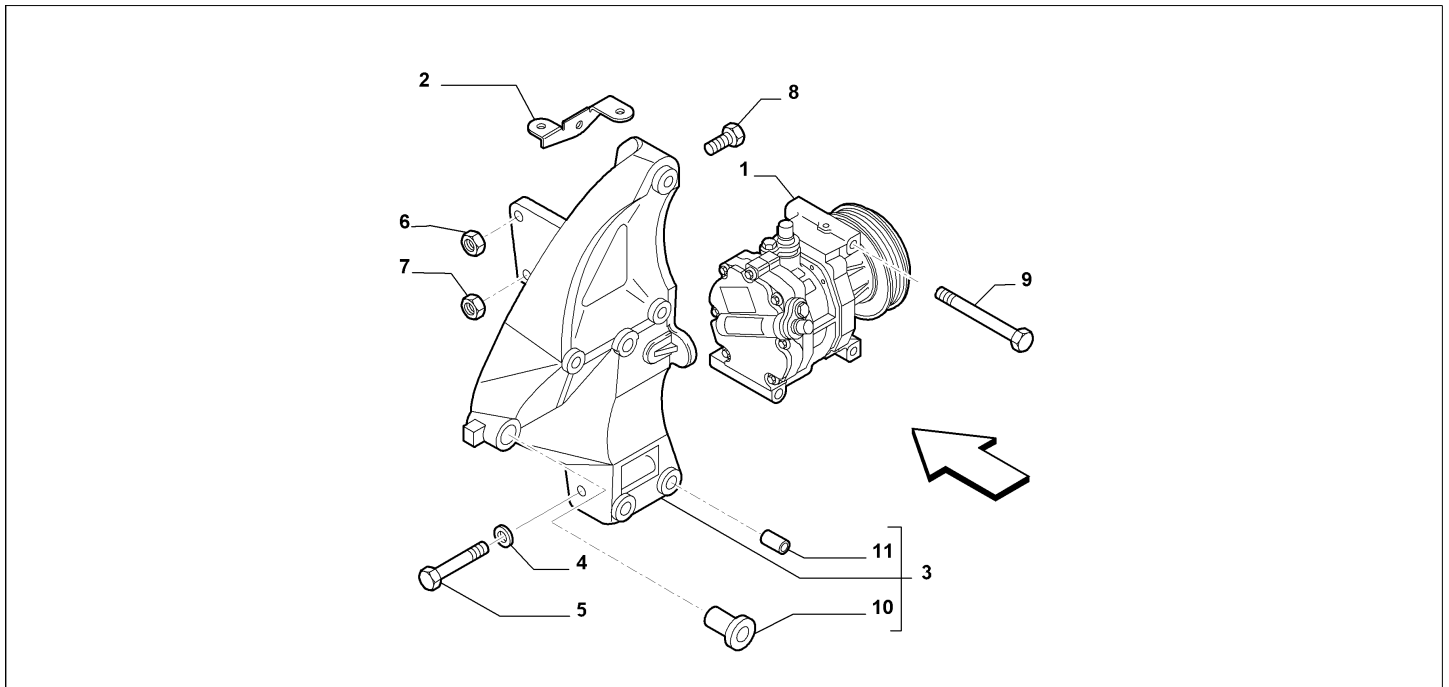
Catalogue	MITO 2008-2011	
Category	13.2 AIR CONDITIONING COMPRESSOR	
Var.	01	1.4 + PETROL + (78HP, 105HP)
Rev.	00	



Part Num.	Description	Compatibility	Modif.	Qty	Notes	Col.	Reman.
1	71795852 AIR COMPRESSOR			01			71795853
2	55194881 BRACKET			01			
3 A	46820386 SUPPORT			01			
3 A	6000100134 SUPPORT			01			
4	14496621 PLANE WASHER			01			
5	46544420 SCREW, M10X85			02			
5	16289134 SCREW, M10X60			01			
6	14059321 NUT, M8			01			
7	14059411 NUT, M10			01			
8	11586424 SCREW, M10X35			02			
9	16297321 SCREW, M8X108			03			
10	46820382 BUSH			01			
11	46434600 BUSH			02			

Legend	
1.4	HORSE POWER (MARKET):1370
PETROL	FUEL:PETROL
78HP	POWER:1.4 FIRE 16V 78HP EURO5
105HP	POWER:1.4 FIRE 16V MULTIAIR 105HP (EURO 5)

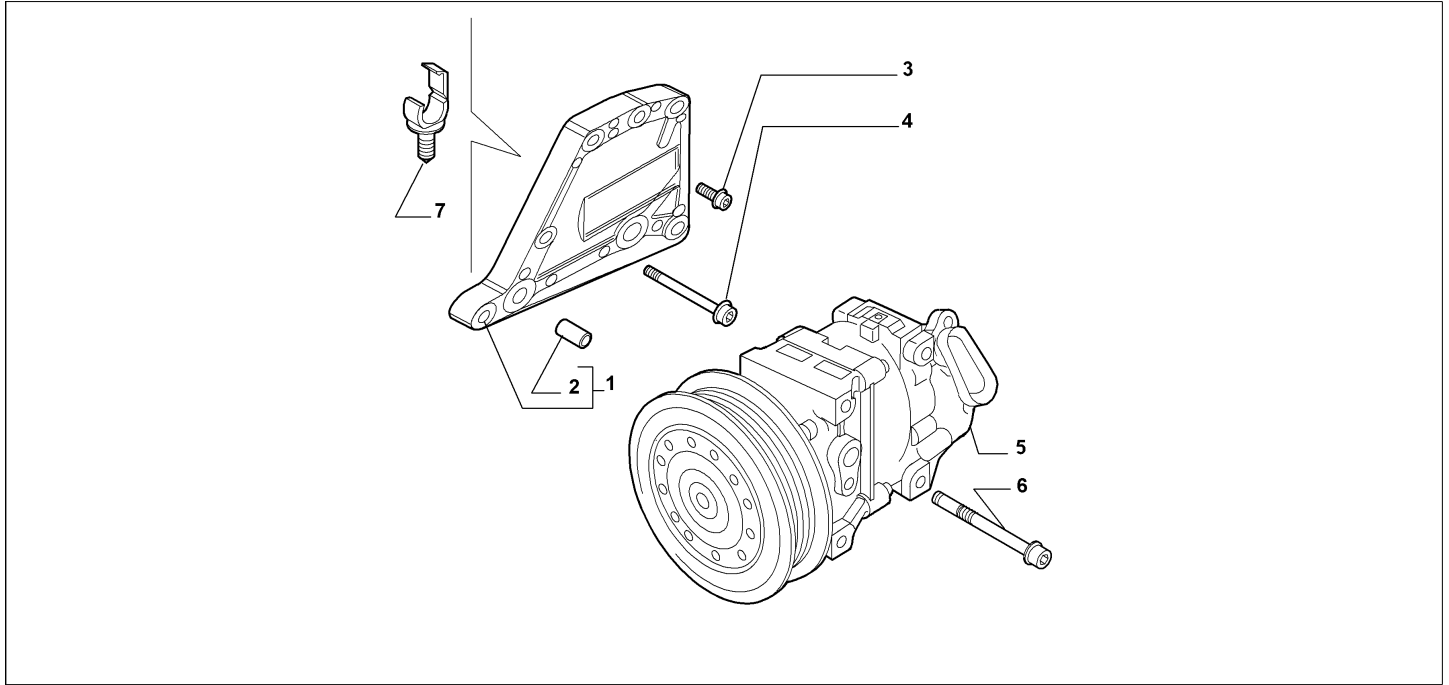
Catalogue	MITO 2008-2011	
Category	13.2 AIR CONDITIONING COMPRESSOR	
Var.	01	1.4 + PETROL + (155HP, 120HP, 135HP, 170HP)
Rev.	00	



Part Num.	Description	Compatibility	Modif.	Qty	Notes	Col.	Reman.
1	71724083 AIR COMPRESSOR			01			71793959
2	46814124 BRACKET			01			
3 A	46820386 SUPPORT			01			
3 A	6000100134 SUPPORT			01			
4	14496621 PLANE WASHER			01			
5	16289134 SCREW, M10X60			01			
5	46544420 SCREW, M10X85			01			
6	14059321 NUT, M8			01			
7	14059411 NUT, M10			01			
8	11586424 SCREW, M10X35			02			
9	16297321 SCREW, M8X108			03			
10	46820382 BUSH			01			
11	46434600 BUSH			02			

Legend	
1.4	HORSE POWER (MARKET):1370
PETROL	FUEL:PETROL
155HP	POWER:1.4 FIRE 16V TURBO 155HP (EURO 5)
170HP	POWER:1.4 FIRE 16V TURBO MULTIAIR 170HP EURO 5
120HP	POWER:120HP
135HP	POWER:1.4 FIRE 16V TURBO MULTIAIR 135 HP EURO 5

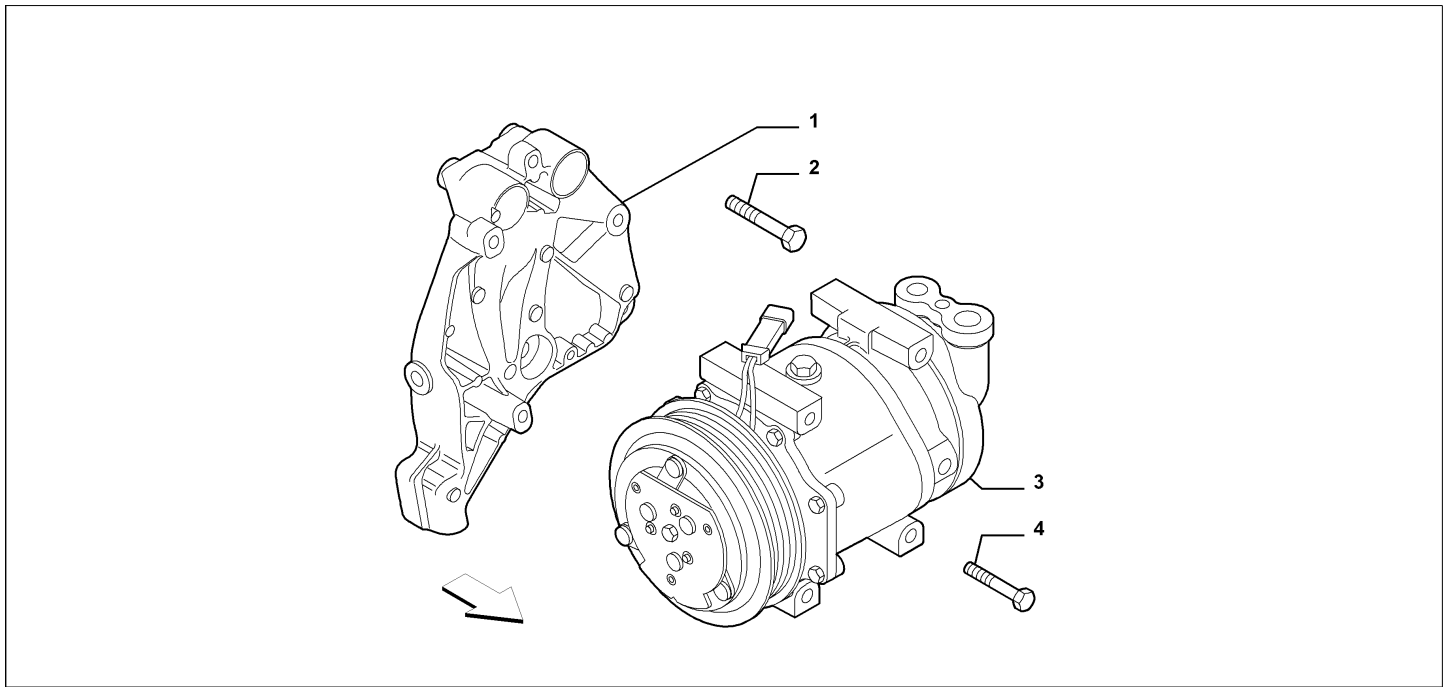
Catalogue	MITO 2008-2011	
Category	13.2 AIR CONDITIONING COMPRESSOR	
Var.	01	1.3D + DIESEL + 90HP + EURO4
Rev.	00	



Part Num.	Description	Compatibility	Modif.	Qty	Notes	Col.	Reman.
1	51769230 SUPPORT, COMPL			01			
2	46776158 DOWEL, 10X14			02			
3	55180045 SCREW AND WASHERASSY, M8X35			04			
4	16297124 SCREW, M10X85			02			
5	51803075 AIR COMPRESSOR			01			71792267
6	51805493 SCREW AND WASHERASSY, M8X90			03			
6	16297721 SCREW, M8X77			03			
7	46744435 CLIP			01			

Legend	
1.3D	HORSE POWER (MARKET):1.3
DIESEL	FUEL:DIESEL
EURO4	ECOLOGY:EEC LIM. STAGE 4
90HP	POWER:1.3 SDE 90HP EURO4

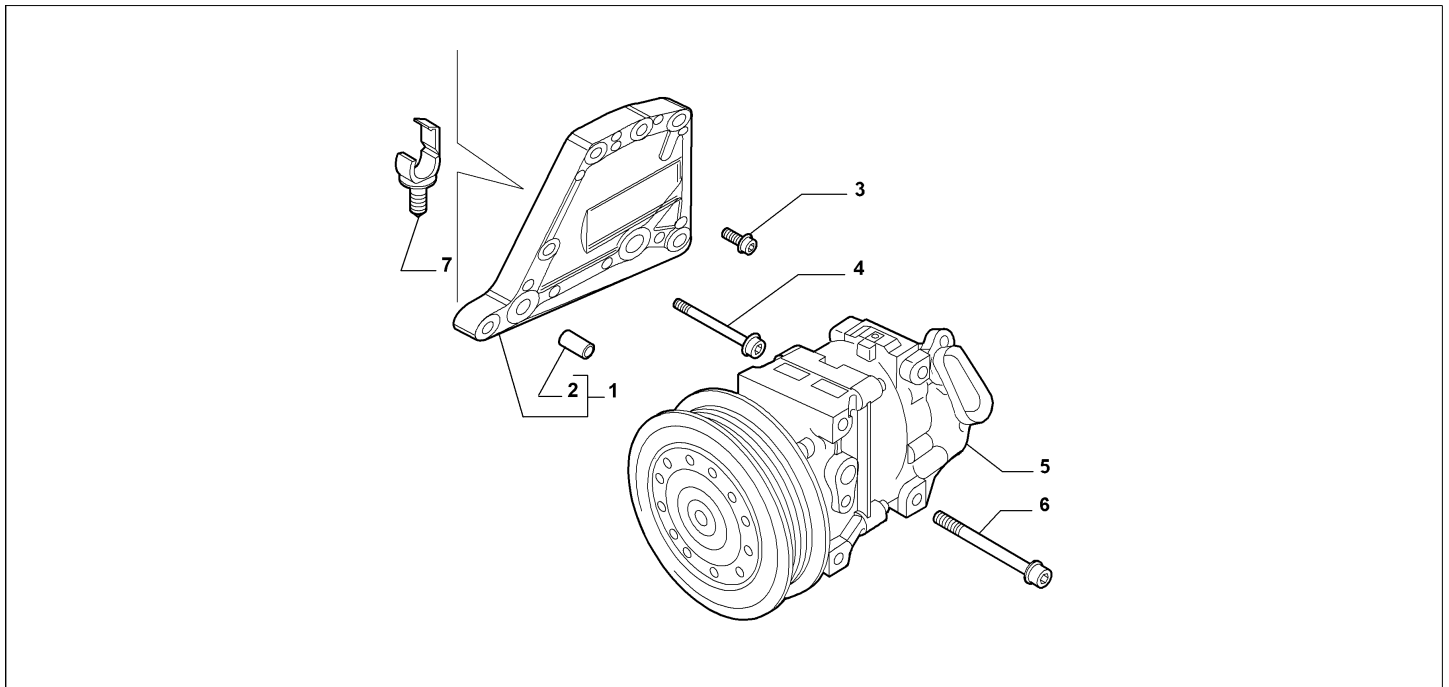
Catalogue	MITO 2008-2011	
Category	13.2 AIR CONDITIONING COMPRESSOR	
Var.	01	1.6D + (025, 140)
Rev.	00	



Part Num.	Description	Compatibility	Modif.	Qty	Notes	Col.	Reman.
1	51825921 SUPPORT			01			
2	16288824 SCREW			04			
3	51820448 AIR COMPRESSOR		C15138	01			71794687
3	51897475 AIR COMPRESSOR		D15138	01			71724362
4	16297721 SCREW, M8X77			02			
4	51837749 SCREW			01			
4	12646724 PLANE WASHER			01			

Legend	
025	AIR CONDITIONER 1
140	CLIMATE CONTROL 2
1.6D	HORSE POWER (MARKET):1598
15138	NEW AIR CONDITIONING COMPRESSOR [TEL 1156490]

Catalogue	MITO 2008-2011	
Category	13.2 AIR CONDITIONING COMPRESSOR	
Var.	01	1.3D + DIESEL + (95HP, 85HP) + EURO5
Rev.	00	



Part Num.	Description	Compatibility	Modif.	Qty	Notes	Col.	Reman.
1	51769230 SUPPORT, COMPL			01			
2	46776158 DOWEL, 10X14			02			
3	55180045 SCREW AND WASHERASSY, M8X35			04			
4	16297124 SCREW, M10X85			02			
5	51803075 AIR COMPRESSOR			01			71792267
6	51805493 SCREW AND WASHERASSY, M8X90			03			
7	46744435 CLIP			01			

Legend	
1.3D	HORSE POWER (MARKET):1.3
DIESEL	FUEL:DIESEL
EURO5	ECOLOGY:LIM.ECC PHASE 5
85HP	POWER:1.3 SDE 85HP EURO5
95HP	POWER:95HP