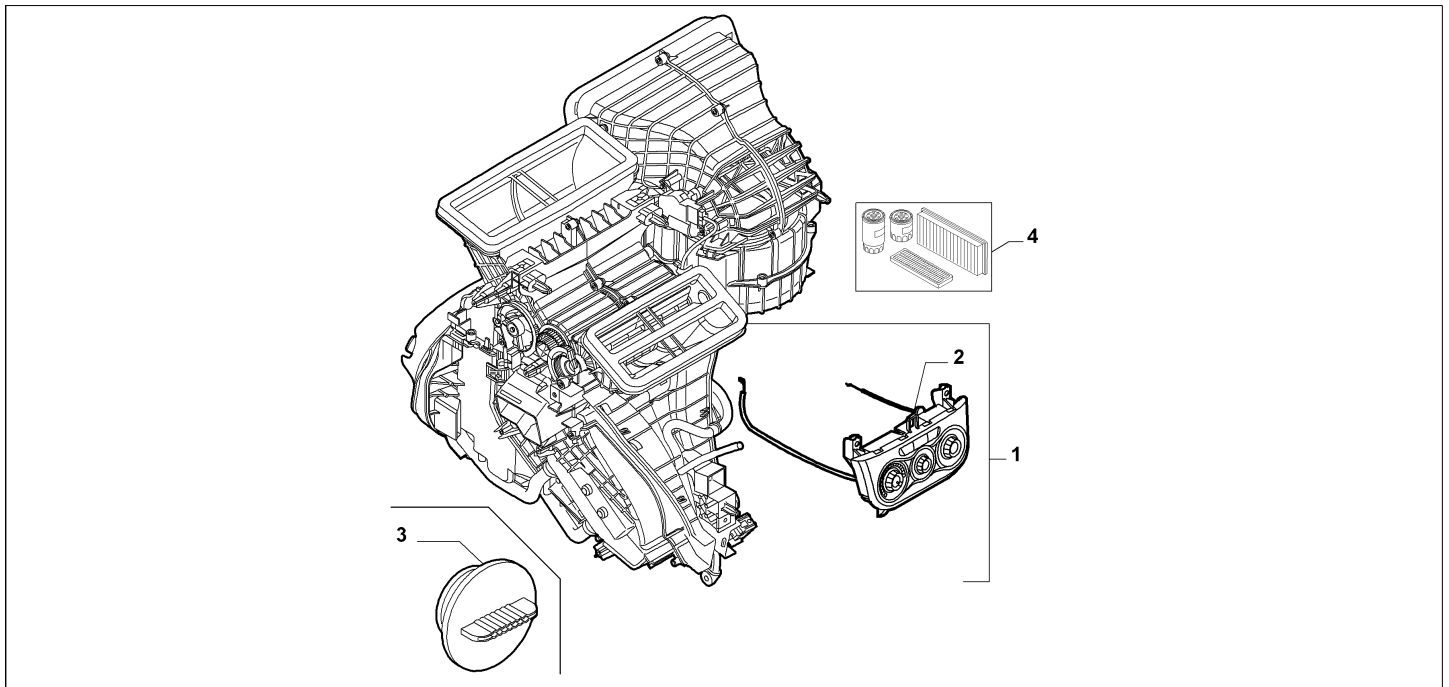


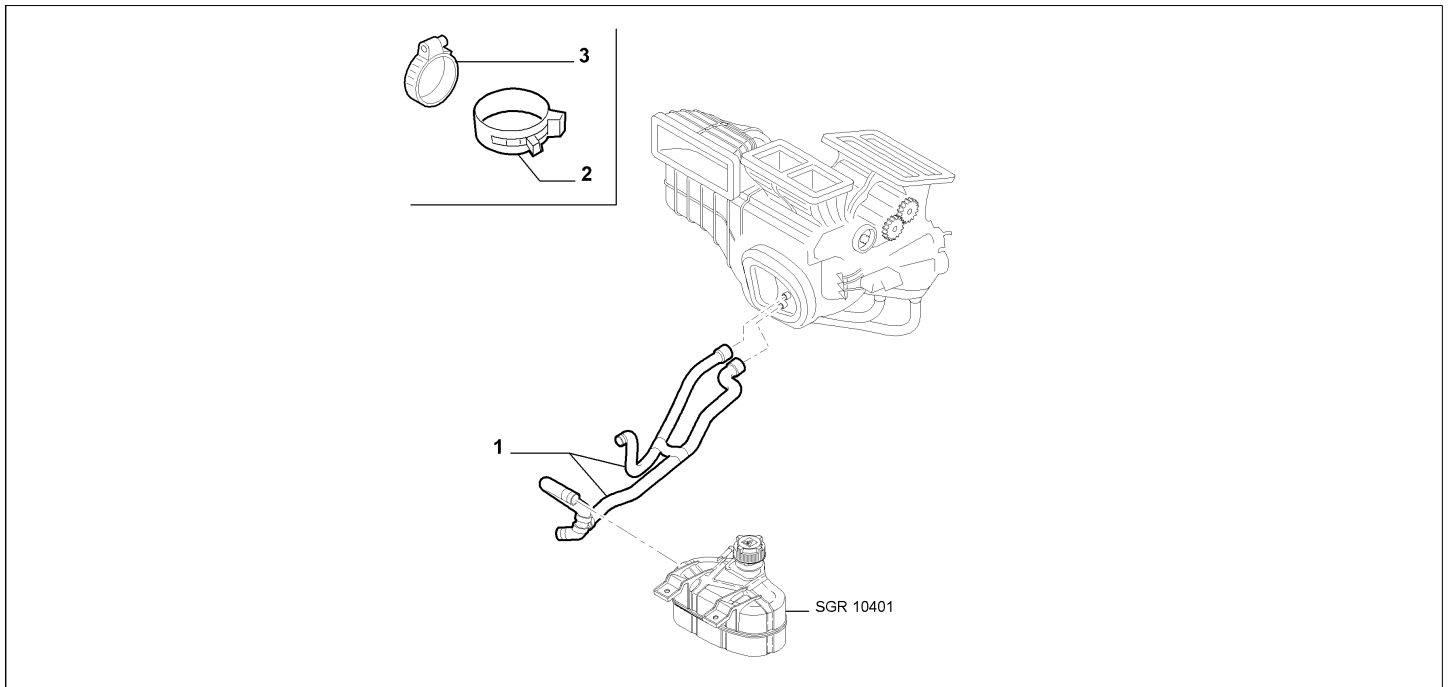
Catalogue	MITO 2008-2011	
Category	13.1 VENTILATION AND HEATING	
Var.	01	(78HP, 105HP) + !((025, 140))
Rev.	00	



Part Num.	Description	Compatibility	Modif.	Qty	Notes	Col.	Reman.
1	156083274 HEATER	LHD	C14804	1			
1	156097734 HEATER	LHD	D14804	1			
1	156083276 HEATER	RHD	C14804	1			
1	156097736 HEATER	RHD	D14804	1			
2	156083275 ORNAMENT	LHD	C14804	1			
2	156101289 ORNAMENT	LHD	D14804	1			
2	156083277 ORNAMENT	RHD	C14804	1			
2	156101292 ORNAMENT	RHD	D14804	1			
3	55702092 PLUG			1			
4	71765182 FILTER KIT			01	KIT		

Legend	
025	AIR CONDITIONER 1
140	CLIMATE CONTROL 2
RHD	STEERING:RIGHT
LHD	STEERING:LEFT
78HP	POWER:1.4 FIRE 16V 78HP EURO5
105HP	POWER:1.4 FIRE 16V MULTIAIR 105HP (EURO 5)
14804	ADOPTION OF MATT PAINTING ON PLASTIC ITEMS [DAT 15/10/2010]

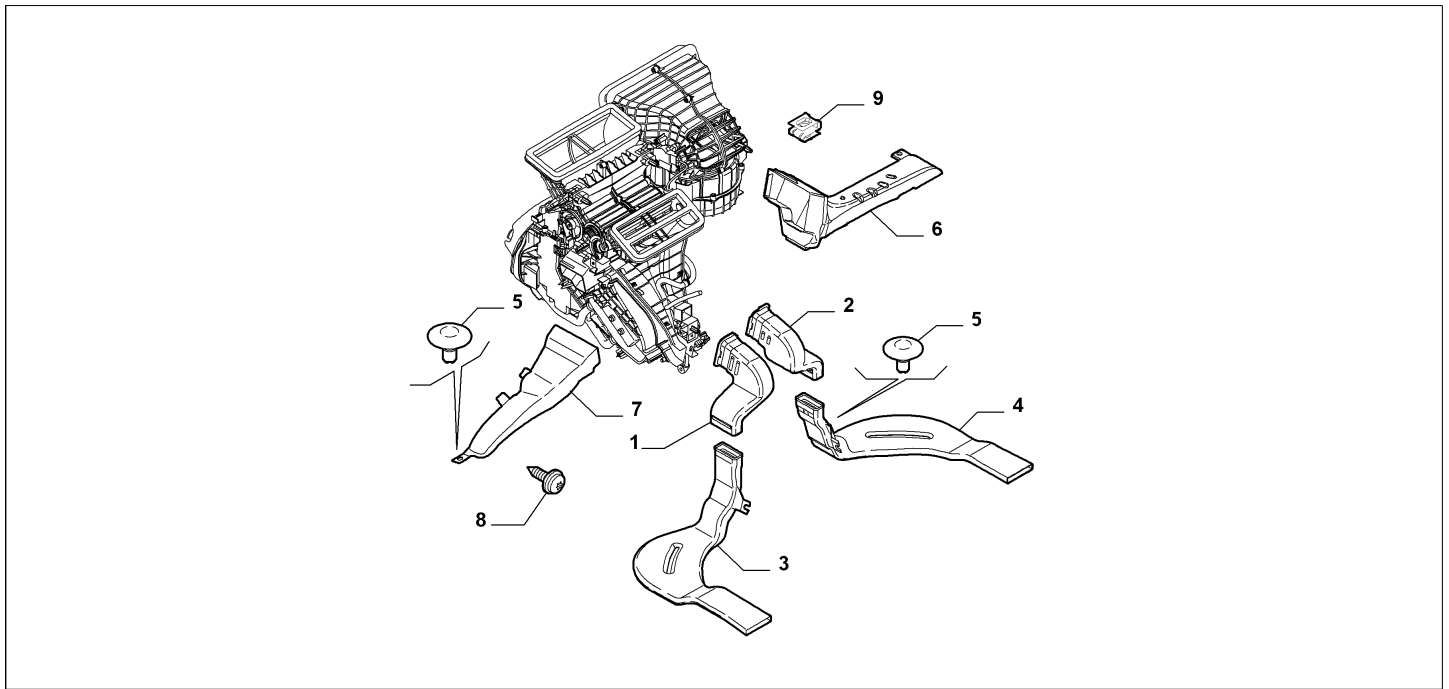
Catalogue	MITO 2008-2011	
Category	13.1 VENTILATION AND HEATING	
Var.	02	(78HP, 105HP) + !((025, 140))
Rev.	00	



Part Num.	Description	Compatibility	Modif.	Qty	Notes	Col.	Reman.
1	51773096 HOSE	78HP		1			
1	50522072 HOSE	105HP		1			
2	11448170 COLLAR			01			
3	11447570 COLLAR, DIAM 20,5-23,0			01			
3	13126270 COLLAR, DIAM 21,5			01			
3	13126370 COLLAR, DIAM 22,5			01			

Legend	
025	AIR CONDITIONER 1
140	CLIMATE CONTROL 2
78HP	POWER:1.4 FIRE 16V 78HP EURO5
105HP	POWER:1.4 FIRE 16V MULTIAIR 105HP (EURO 5)

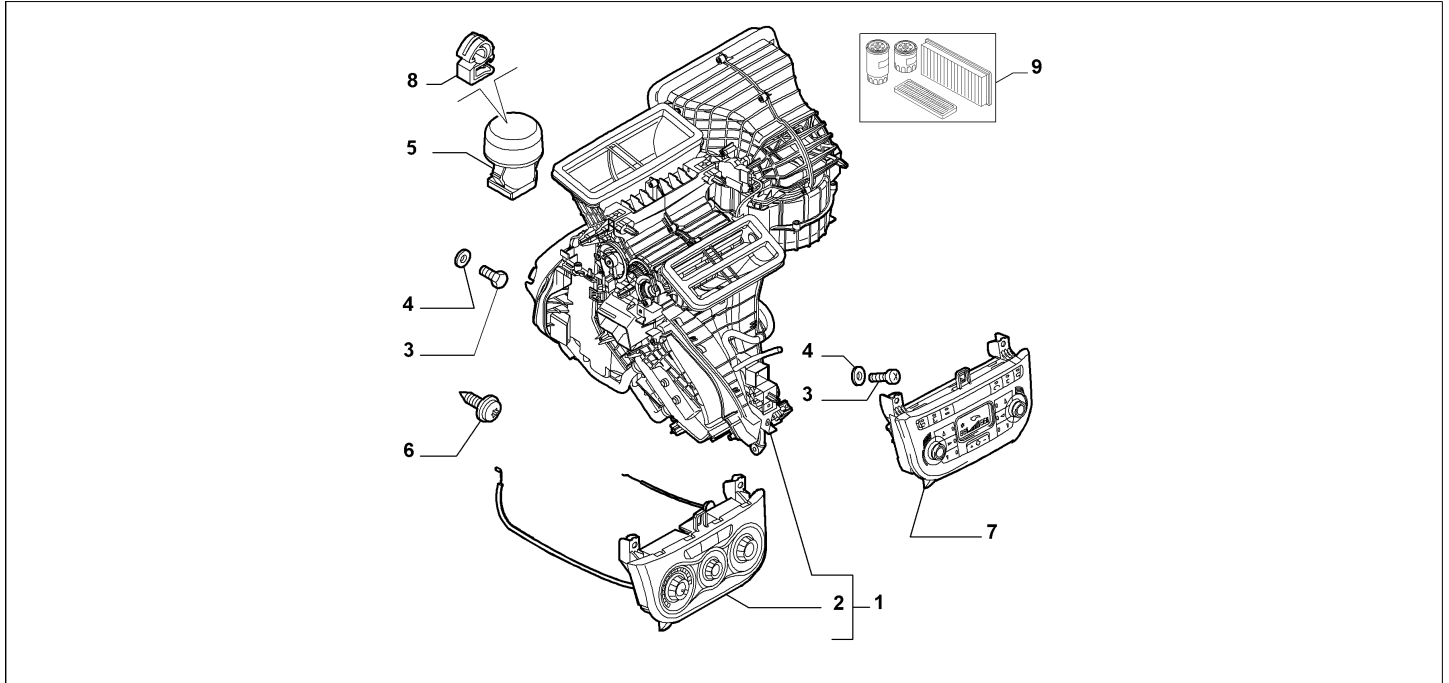
Catalogue	MITO 2008-2011	
Category	13.1 VENTILATION AND HEATING	
Var.	03	(78HP, 105HP) + !((025, 140))
Rev.	00	



Part Num.	Description	Compatibility	Modif.	Qty	Notes	Col.	Reman.
1	51815684 DUCTING, RH		D14105	01			
2	51815685 DUCTING, LH		D14105	01			
3	55701452 DUCTING, RH		D14105	01			
4	55701453 DUCTING, LH		D14105	01			
5	735266957 BUTTON			01			
6	51724242 DUCTING, LAT DS	LHD		1			
6	51760556 DUCTING, LAT DS	RHD		1			
7	51724243 DUCTING, LAT SN	LHD		1			
7	51760564 DUCTING, LAT SN	RHD		1			
8	46558583 SCREW			02			
9	60588997 BRACKET			01			

Legend	
025	AIR CONDITIONER 1
140	CLIMATE CONTROL 2
RHD	STEERING:RIGHT
LHD	STEERING:LEFT
78HP	POWER:1.4 FIRE 16V 78HP EURO5
105HP	POWER:1.4 FIRE 16V MULTIAIR 105HP (EURO 5)
14105	MATS STANDARDISED [DAT 17/06/2010]

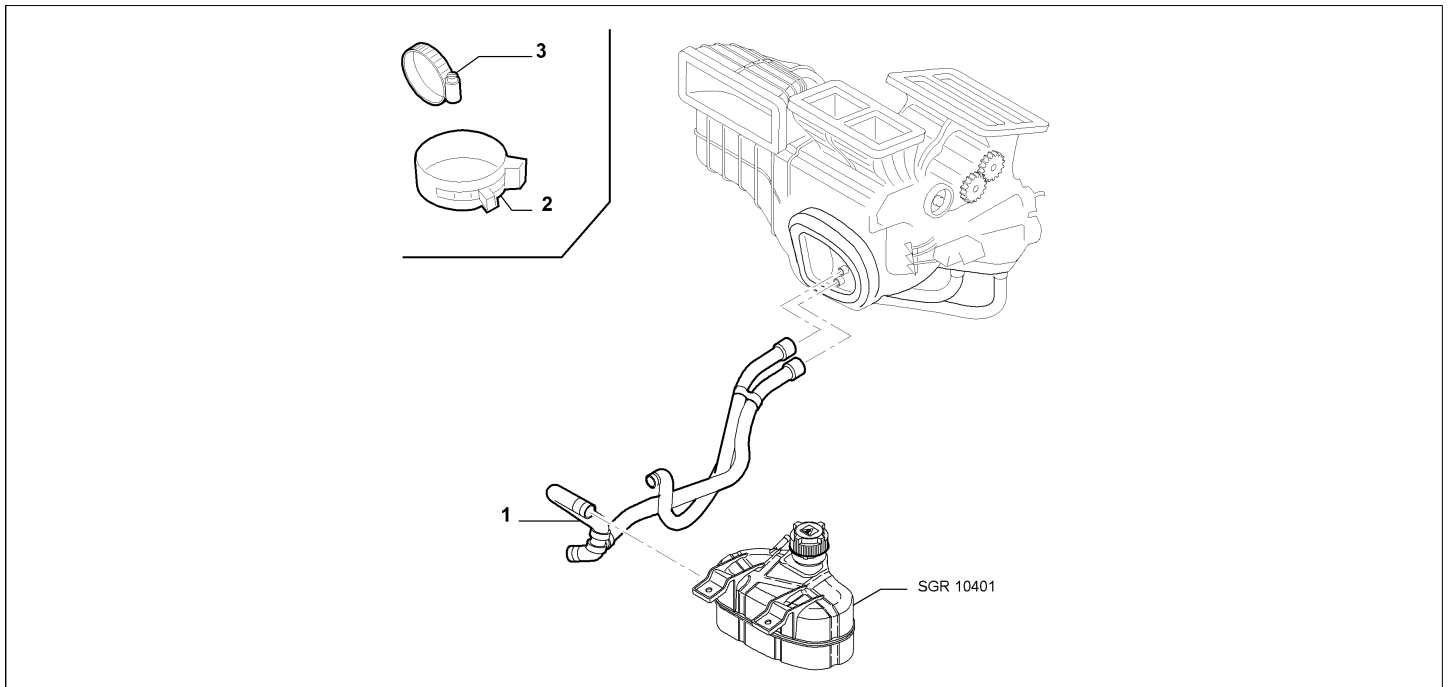
Catalogue	MITO 2008-2011	
Category	13.1 VENTILATION AND HEATING	
Var.	01	(78HP, 105HP) + (025, 140)
Rev.	00	



Part Num.	Description	Compatibility	Modif.	Qty	Notes	Col.	Reman.
1	156083328	AIR CONDITIONER	LHD+025	C14804	1		
1	156097728	AIR CONDITIONER	LHD+025	D14804	1		
1	156083332	AIR CONDITIONER	RHD+025	C14804	1		
1	156097730	AIR CONDITIONER	RHD+025	D14804	1		
1	50511627	AIR CONDITIONER	LHD+140		1		
1	50511628	AIR CONDITIONER	RHD+140		1		
2	156083331	ORNAMENT	LHD+025	C14804	1		
2	156101282	ORNAMENT	LHD+025	D14804	1		
2	156083333	ORNAMENT	RHD+025	C14804	1		
2	156101285	ORNAMENT	RHD+025	D14804	1		
3	811900002	SCREW, M6X1X16			04		
4	12647701	PLANE WASHER			04		
5	51777321	SENSOR	140		04		
6	46558583	SCREW, M6X1X16			04		
7	156083390	ELECTRONIC CONTROL UNIT	140	C12980	01		
7	156088743	ELECTRONIC CONTROL UNIT	140	D12980	01		
8	7766072	CLIP			01		
9	71765182	FILTER KIT			01	KIT	

Legend	
025	AIR CONDITIONER 1
140	CLIMATE CONTROL 2
RHD	STEERING:RIGHT
LHD	STEERING:LEFT
78HP	POWER:1.4 FIRE 16V 78HP EURO5
105HP	POWER:1.4 FIRE 16V MULTIAIR 105HP (EURO 5)
12980	NEW CONTROL FOR AIR-CONDITIONING [DAT 15/08/2008]
14804	ADOPTION OF MATT PAINTING ON PLASTIC ITEMS [DAT 15/10/2010]

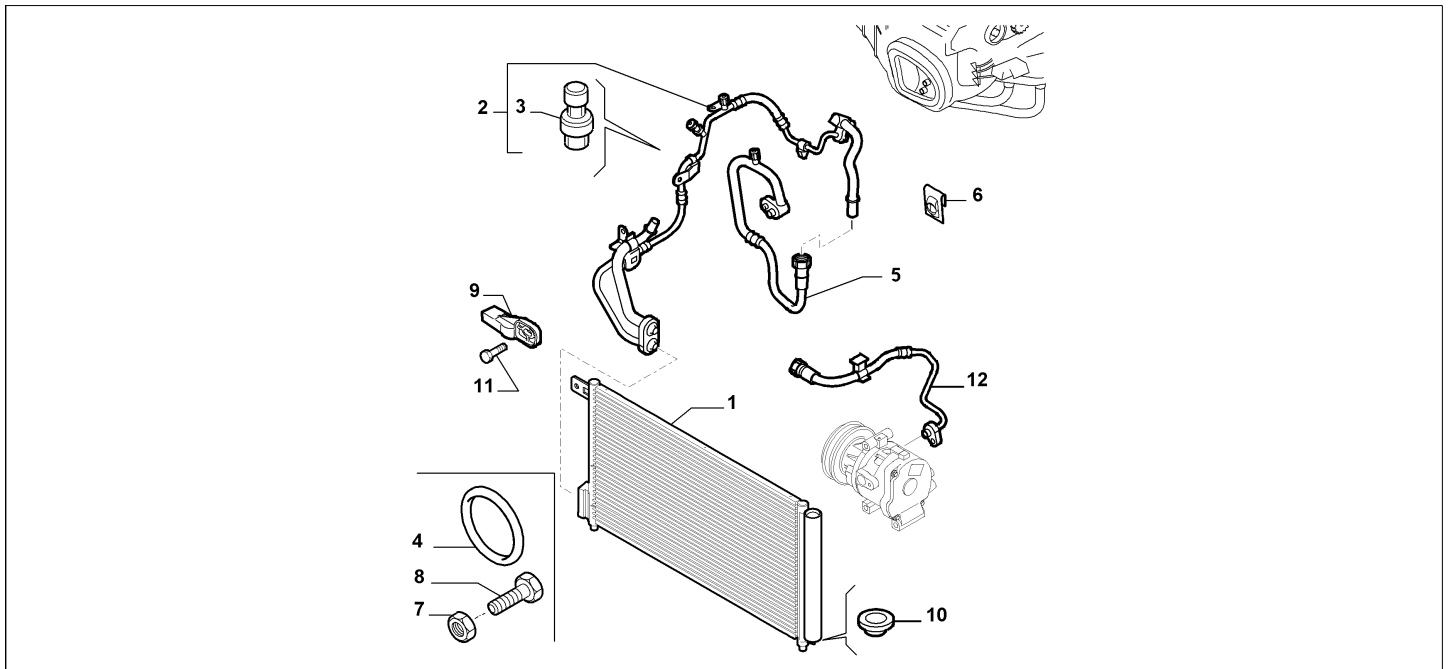
Catalogue	MITO 2008-2011	
Category	13.1 VENTILATION AND HEATING	
Var.	02	(78HP, 105HP) + (025, 140)
Rev.	00	



Part Num.	Description	Compatibility	Modif.	Qty	Notes	Col.	Reman.
1	51773096 HOSE	78HP		1			
1	50522072 HOSE	105HP		1			
2	11448170 COLLAR			01			
3	11447570 COLLAR, DIAM 20,5-23,0			04			
3	13126270 COLLAR, DIAM 21,5			01			
3	13126370 COLLAR, DIAM 22,5			01			

Legend	
025	AIR CONDITIONER 1
140	CLIMATE CONTROL 2
78HP	POWER:1.4 FIRE 16V 78HP EURO5
105HP	POWER:1.4 FIRE 16V MULTIAIR 105HP (EURO 5)

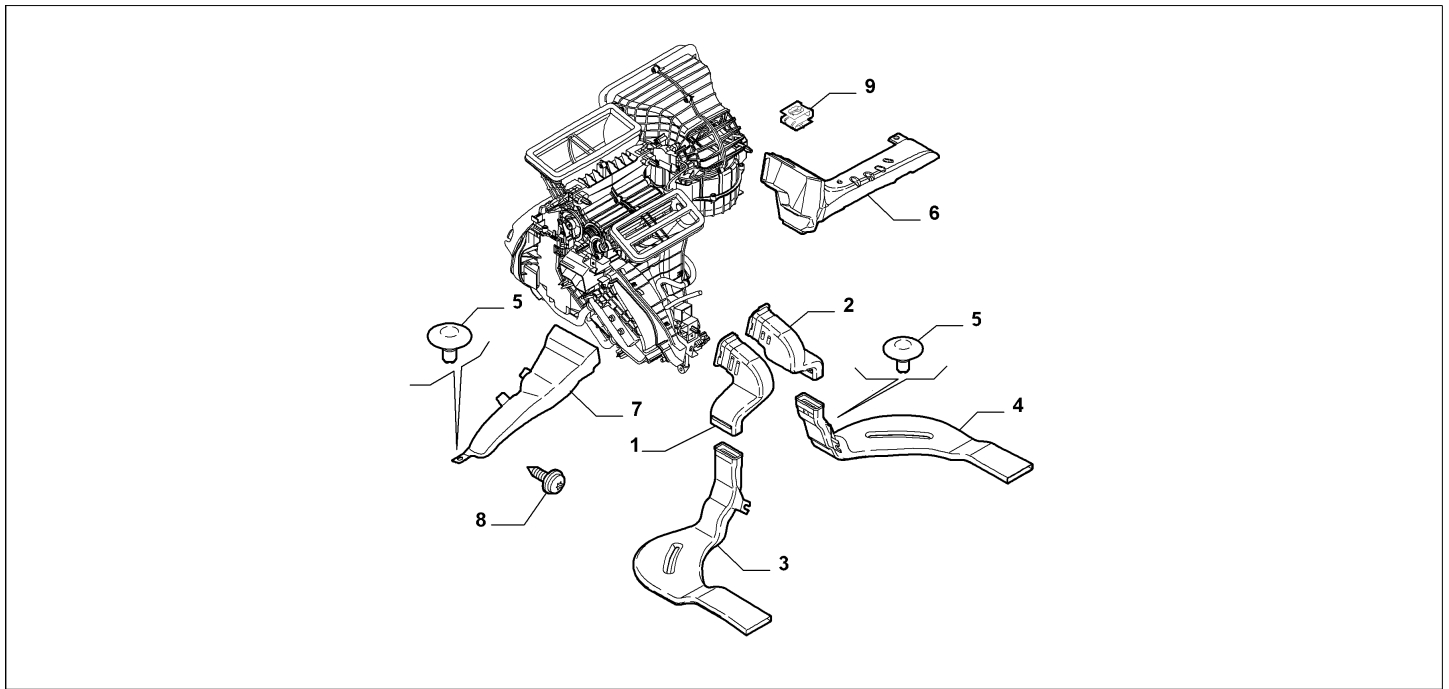
Catalogue	MITO 2008-2011	
Category	13.1 VENTILATION AND HEATING	
Var.	03	(78HP, 105HP) + (025, 140)
Rev.	00	



Part Num.	Description	Compatibility	Modif.	Qty	Notes	Col.	Reman.
1	50526514	CONDENSER		01			
2	50510273	HOSE, COMPL		01			
3	50550372	PRESSURESTAT		01			
4	10852283	SEAL GASKET, DIAM 6,6		01			
4	10852383	SEAL GASKET, DIAM 13,87		01			
4	10877980	SEAL GASKET, 1/2" DIAM11,20		02			
4	10877887	SEAL GASKET, 3/8" DIAM 8		02			
5	50512736	HOSE, JOINT/COMPR		01			
6	14189071	BRACKET		01			
7	14040611	NUT, M6		06			
8	811900004	SCREW, M6X1X20		02			
8	811900015	SCREW, M8X30		01			
9	50512103	BRACKET		01			
10	7742733	RUBBER BUSHING		02			
11	15699801	SCREW		07			
12	50510271	HOSE, COMPR/CONDENS	C14653	01			
12	50521503	HOSE, COMPR/CONDENS	D14653	01			

Legend	
025	AIR CONDITIONER 1
140	CLIMATE CONTROL 2
78HP	POWER:1.4 FIRE 16V 78HP EURO5
105HP	POWER:1.4 FIRE 16V MULTIAIR 105HP (EURO 5)
14653	NEW COMPRESSOR/CONDENSER PIPE [DAT 18/02/2011]

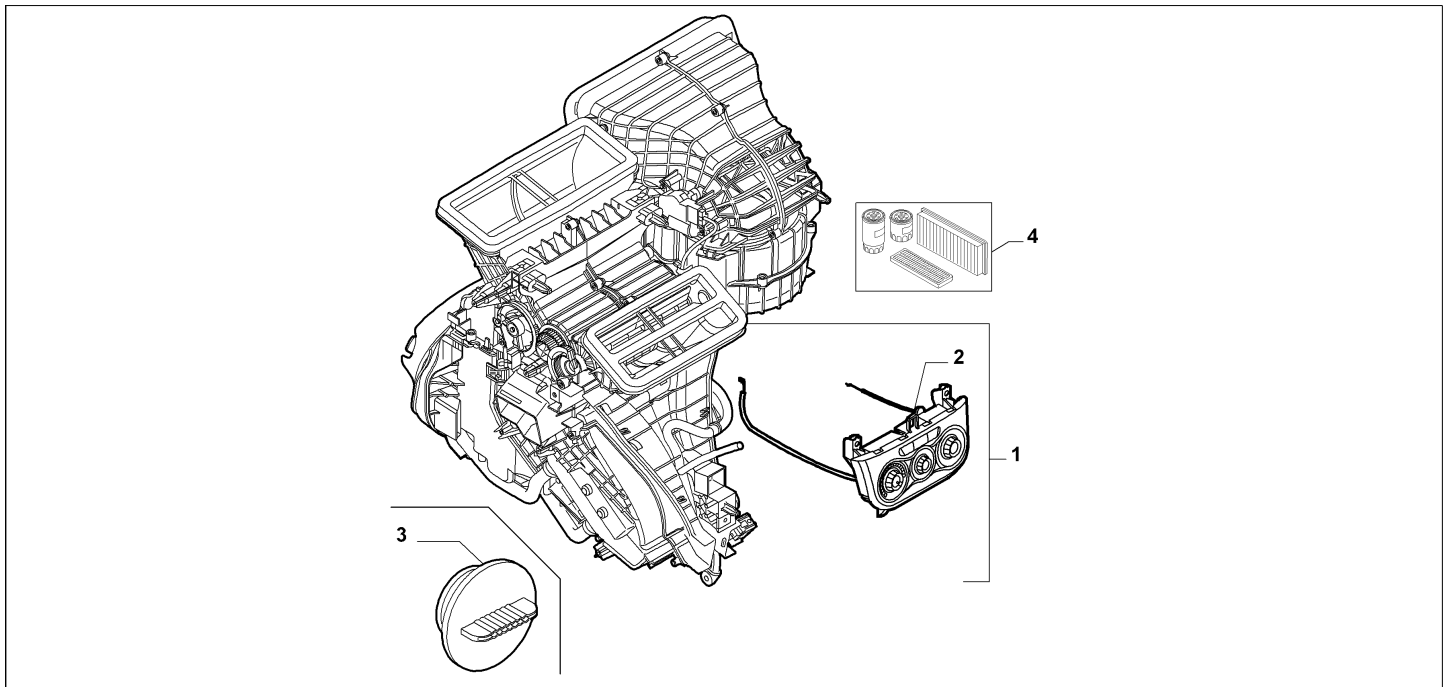
Catalogue	MITO 2008-2011	
Category	13.1 VENTILATION AND HEATING	
Var.	04	(78HP, 105HP) + (025, 140)
Rev.	00	



Part Num.	Description	Compatibility	Modif.	Qty	Notes	Col.	Reman.
1	51815684 DUCTING, RH			01			
2	51815685 DUCTING, LH			01			
3	55701452 DUCTING, RH			01			
4	55701453 DUCTING, LH			01			
5	735266957 BUTTON			01			
6	51724242 DUCTING, LAT DS	LHD		01			
6	51760556 DUCTING, LAT DS	RHD		01			
7	51724243 DUCTING, LAT SN	LHD		01			
7	51760564 DUCTING, LAT SN	RHD		01			
8	46558583 SCREW			02			
9	60588997 BRACKET			01			

Legend	
025	AIR CONDITIONER 1
140	CLIMATE CONTROL 2
RHD	STEERING:RIGHT
LHD	STEERING:LEFT
78HP	POWER:1.4 FIRE 16V 78HP EURO5
105HP	POWER:1.4 FIRE 16V MULTIAIR 105HP (EURO 5)

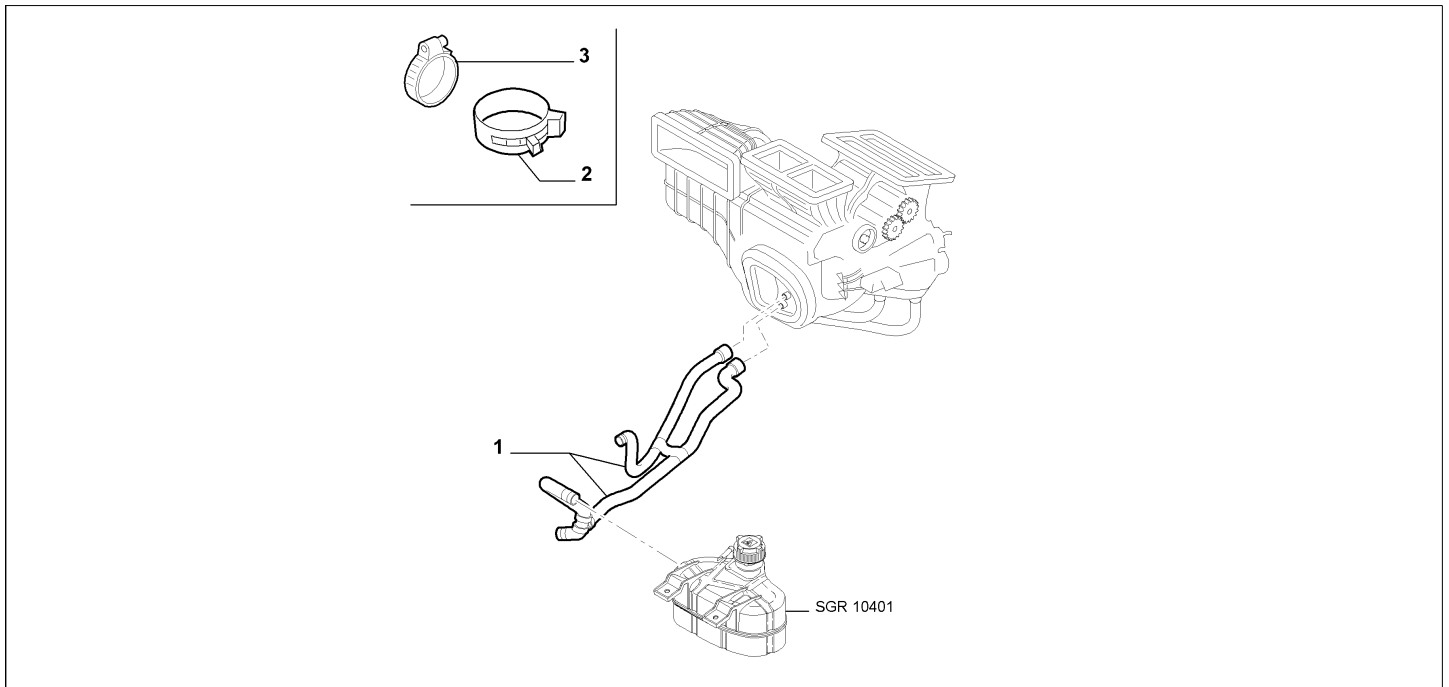
Catalogue	MITO 2008-2011	
Category	13.1 VENTILATION AND HEATING	
Var.	01	(PETROL + 120HP, 155HP) + !((025, 140))
Rev.	00	



Part Num.	Description	Compatibility	Modif.	Qty	Notes	Col.	Reman.
1	156083274 HEATER	LHD	C14804	1			
1	156097734 HEATER	LHD	D14804	1			
1	156083276 HEATER	RHD	C14804	1			
1	156097736 HEATER	RHD	D14804	1			
2	156083275 ORNAMENT	LHD	C14804	1			
2	156101289 ORNAMENT	LHD	D14804	1			
2	156083277 ORNAMENT	RHD	C14804	1			
2	156101292 ORNAMENT	RHD	D14804	1			
3	55702092 PLUG			01			
4	71765182 FILTER KIT			01	KIT		

Legend	
025	AIR CONDITIONER 1
140	CLIMATE CONTROL 2
PETROL	FUEL:PETROL
RHD	STEERING:RIGHT
LHD	STEERING:LEFT
155HP	POWER:1.4 FIRE 16V TURBO 155HP (EURO 5)
120HP	POWER:120HP
14804	ADOPTION OF MATT PAINTING ON PLASTIC ITEMS [DAT 15/10/2010]

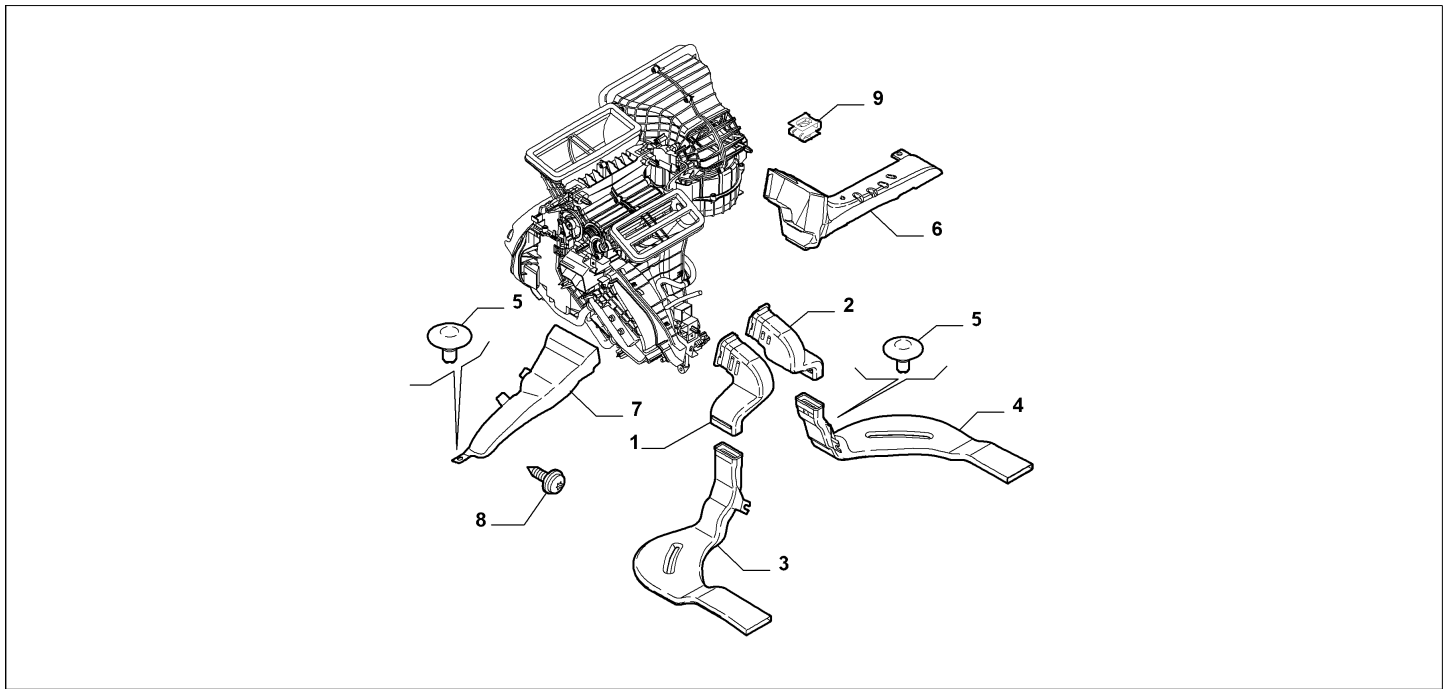
Catalogue	MITO 2008-2011	
Category	13.1 VENTILATION AND HEATING	
Var.	02	(PETROL + 120HP, 155HP) + !((025, 140))
Rev.	00	



Part Num.	Description	Compatibility	Modif.	Qty	Notes	Col.	Reman.
1	50518854 HOSE	LPG		1			
2	11448170 COLLAR			01			
3	11447570 COLLAR, DIAM 20,5-23,0			01			
3	13126270 COLLAR, DIAM 21,5			01			
3	13126370 COLLAR, DIAM 22,5			01			

Legend	
025	AIR CONDITIONER 1
140	CLIMATE CONTROL 2
LPG	LPG POWER SUPPLY (ITALY STANDARD)
PETROL	FUEL:PETROL
155HP	POWER:1.4 FIRE 16V TURBO 155HP (EURO 5)
120HP	POWER:120HP

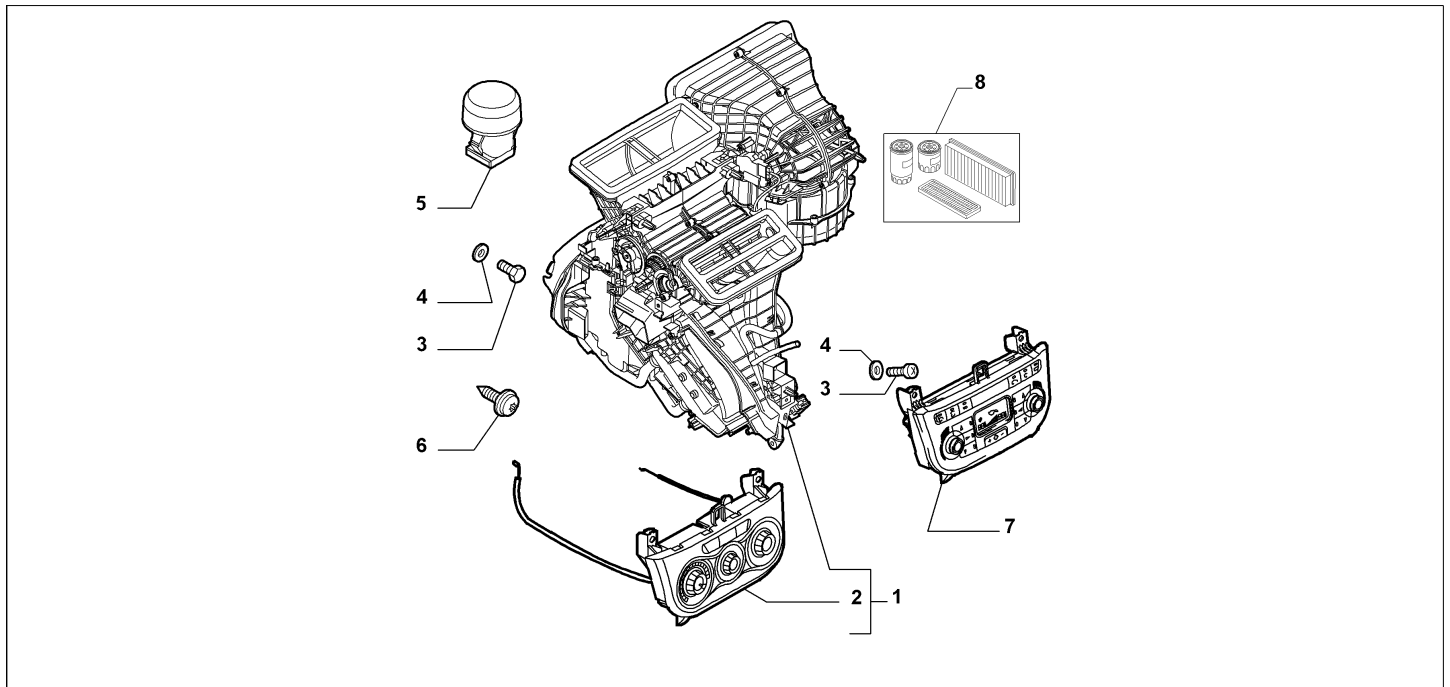
Catalogue	MITO 2008-2011	
Category	13.1 VENTILATION AND HEATING	
Var.	03	(PETROL + 120HP, 155HP) + !((025, 140))
Rev.	00	



Part Num.	Description	Compatibility	Modif.	Qty	Notes	Col.	Reman.
1	51815684 DUCTING, RH			01			
2	51815685 DUCTING, LH			01			
3	55701452 DUCTING, RH			01			
4	55701453 DUCTING, LH			01			
5	735266957 BUTTON			01			
6	51724242 DUCTING, LAT DS	LHD		01			
6	51760556 DUCTING, LAT DS	RHD		01			
7	51724243 DUCTING, LAT SN	LHD		01			
7	51760564 DUCTING, LAT SN	RHD		01			
8	46558583 SCREW			02			
9	60588997 BRACKET			01			

Legend	
025	AIR CONDITIONER 1
140	CLIMATE CONTROL 2
PETROL	FUEL:PETROL
RHD	STEERING:RIGHT
LHD	STEERING:LEFT
155HP	POWER:1.4 FIRE 16V TURBO 155HP (EURO 5)
120HP	POWER:120HP

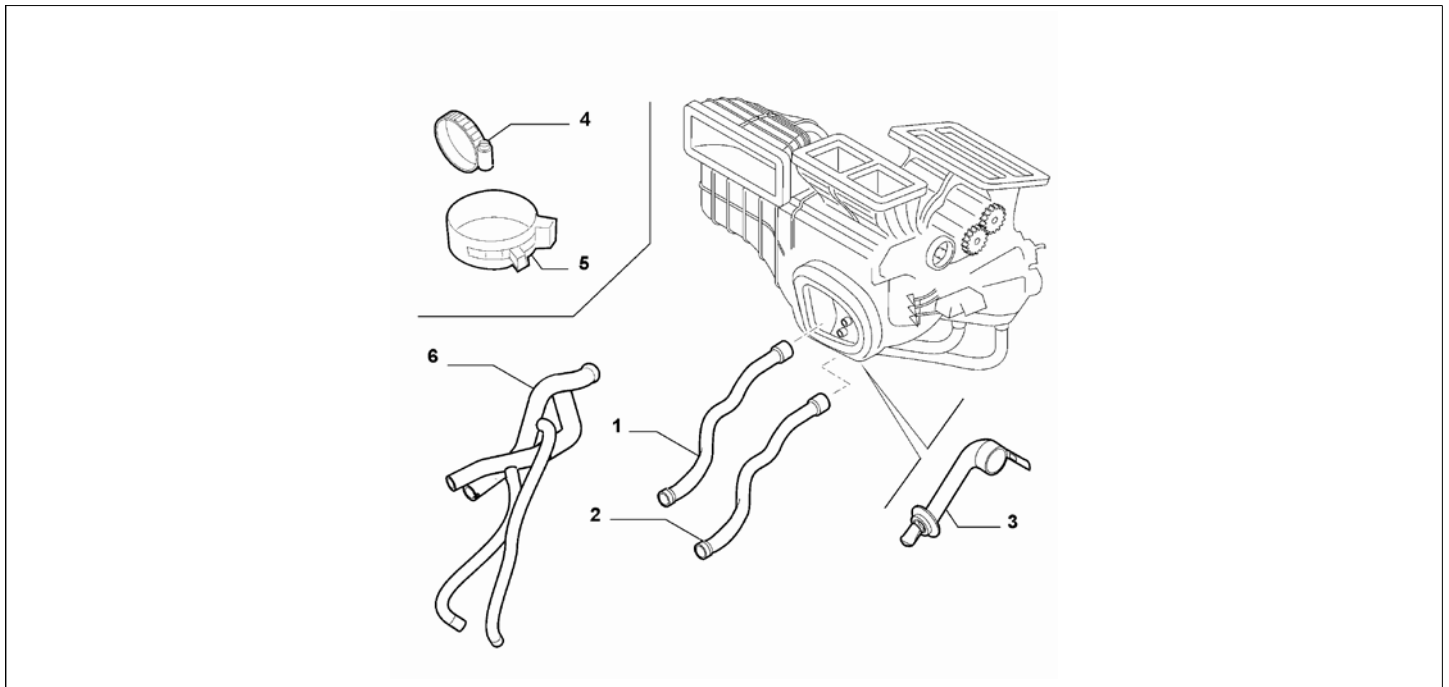
Catalogue	MITO 2008-2011	
Category	13.1 VENTILATION AND HEATING	
Var.	01	(PETROL + 120HP, 155HP) + (025, 140)
Rev.	00	



Part Num.	Description	Compatibility	Modif.	Qty	Notes	Col.	Reman.
1	156083328	AIR CONDITIONER	LHD+025	C14804	1		
1	156097728	AIR CONDITIONER	LHD+025	D14804	1		
1	156083332	AIR CONDITIONER	RHD+025	C14804	1		
1	156097730	AIR CONDITIONER	RHD+025	D14804	1		
1	50511627	AIR CONDITIONER	LHD+140		1		
1	50511628	AIR CONDITIONER	RHD+140		1		
2	156083331	ORNAMENT	LHD+025	C14804	01		
2	156101282	ORNAMENT	LHD+025	D14804	01		
2	156083333	ORNAMENT	RHD+025	C14804	01		
2	156101285	ORNAMENT	RHD+025	D14804	01		
3	811900002	SCREW, M6X1X16			04		
4	12647701	PLANE WASHER			01		
5	51777321	SENSOR	140		01		
6	46558583	SCREW			04		
7	156083390	ELECTRONIC CONTROL UNIT	140	C12980	01		
7	156088743	ELECTRONIC CONTROL UNIT	140	D12980	01		
8	71765219	FILTER KIT	155HP		01	KIT	
8	71765322	FILTER KIT	120HP		01	KIT	

Legend	
025	AIR CONDITIONER 1
140	CLIMATE CONTROL 2
PETROL	FUEL:PETROL
RHD	STEERING:RIGHT
LHD	STEERING:LEFT
155HP	POWER:1.4 FIRE 16V TURBO 155HP (EURO 5)
120HP	POWER:120HP
12980	NEW CONTROL FOR AIR-CONDITIONING [DAT 15/08/2008]
14804	ADOPTION OF MATT PAINTING ON PLASTIC ITEMS [DAT 15/10/2010]

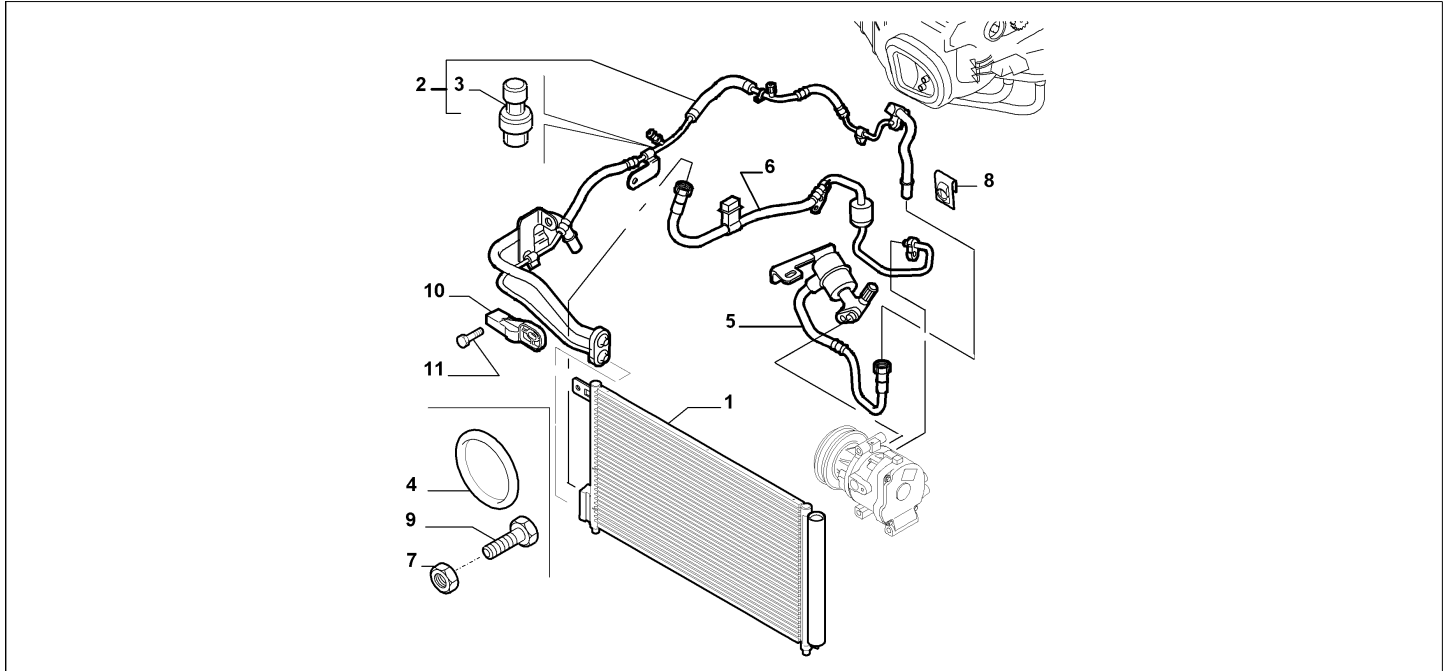
Catalogue	MITO 2008-2011	
Category	13.1 VENTILATION AND HEATING	
Var.	02	(PETROL + 120HP, 155HP) + (025, 140)
Rev.	00	



Part Num.	Description	Compatibility	Modif.	Qty	Notes	Col.	Reman.
1	51799837 HOSE	1.4+PCC544		1			
1	51793994 HOSE	PCC510+LPG		1			
2	51799836 HOSE	1.4+PCC544		1			
2	51793993 HOSE	PCC510+LPG		1			
3	55700081 SLEEVE			01			
4	11447570 COLLAR, DIAM 30-45			01			
4	13126270 COLLAR, DIAM 21,5			01			
4	13126370 COLLAR, DIAM 22,5			01			
4	11447570 COLLAR, DIAM 25			01			
5	11448170 COLLAR			01			
6	50518854 HOSE	LPG		1			

Legend	
025	AIR CONDITIONER 1
140	CLIMATE CONTROL 2
LPG	LPG POWER SUPPLY (ITALY STANDARD)
1.4	HORSE POWER (MARKET):1370
PETROL	FUEL:PETROL
155HP	POWER:1.4 FIRE 16V TURBO 155HP (EURO 5)
120HP	POWER:120HP
PCC510	GEARBOX DESIGN:GEARBOX
PCC544	GEARBOX DESIGN:GEARBOX 20/28 KGM (M20/M28 3H)

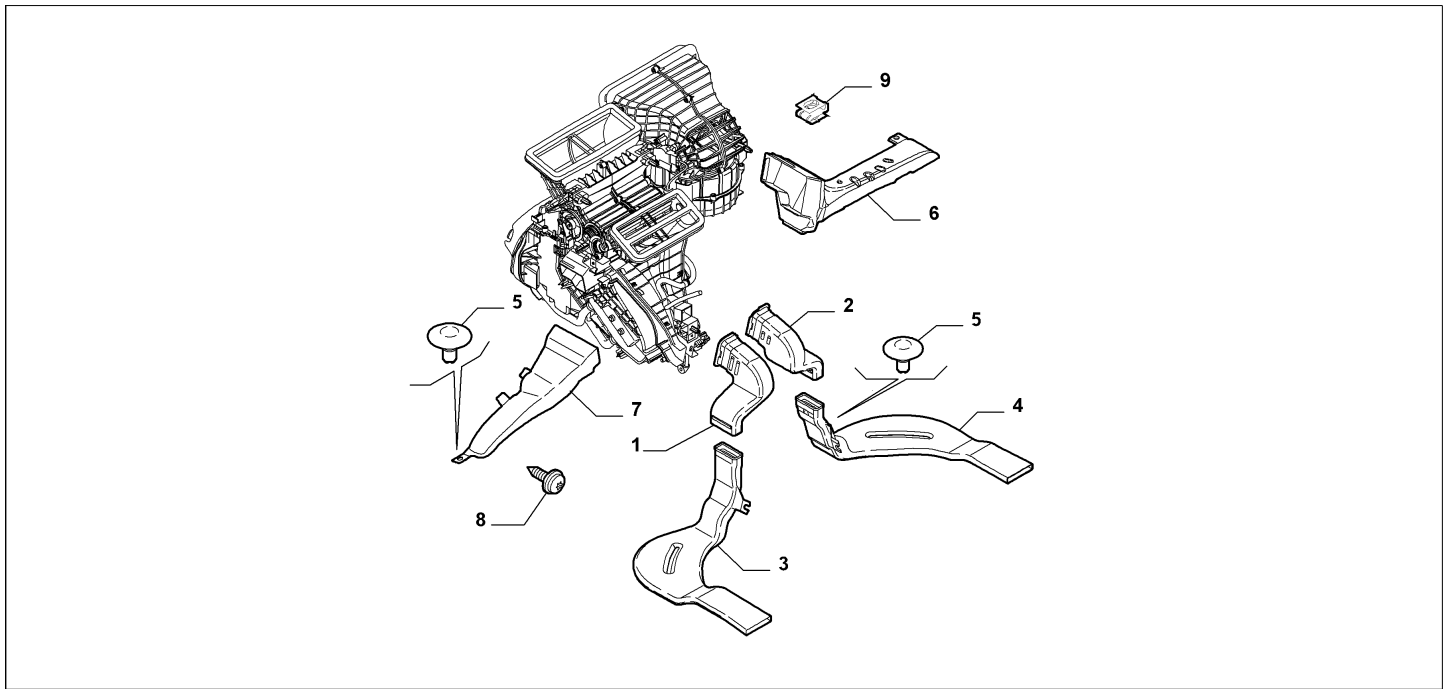
Catalogue	MITO 2008-2011	
Category	13.1 VENTILATION AND HEATING	
Var.	03	(PETROL + 120HP, 155HP) + (025, 140)
Rev.	00	



Part Num.	Description	Compatibility	Modif.	Qty	Notes	Col.	Reman.
1	51826520	CONDENSER		1			
2	50512732	HOSE, COMPL		1			
3	50550372	PRESSURESTAT		1			
4	10852283	SEAL GASKET, DIAM 6,6		01			
4	10852383	SEAL GASKET, DIAM 13,87		01			
4	10877980	SEAL GASKET, 1/2"		02			
4	10877887	SEAL GASKET, 3/8"		02			
4	10878180	SEAL GASKET, 3/4" DIA 17,10		01			
5	50530838	HOSE		01			
6	50512734	HOSE	C14653	01			
6	50521504	HOSE	D14653	01			
7	14040611	NUT, M6		03			
8	14189071	BRACKET		01			
9	811900004	SCREW, M6X1X20		02			
9	13835814	SCREW, M6X10		01			
9	18750524	SCREW, M6X10		01			
9	811900015	SCREW, M8X30		01			
10	50512103	BRACKET		01			
11	15699801	SCREW		07			

Legend	
025	AIR CONDITIONER 1
140	CLIMATE CONTROL 2
PETROL	FUEL:PETROL
155HP	POWER:1.4 FIRE 16V TURBO 155HP (EURO 5)
120HP	POWER:120HP
14653	NEW COMPRESSOR/CONDENSER PIPE [DAT 18/02/2011]

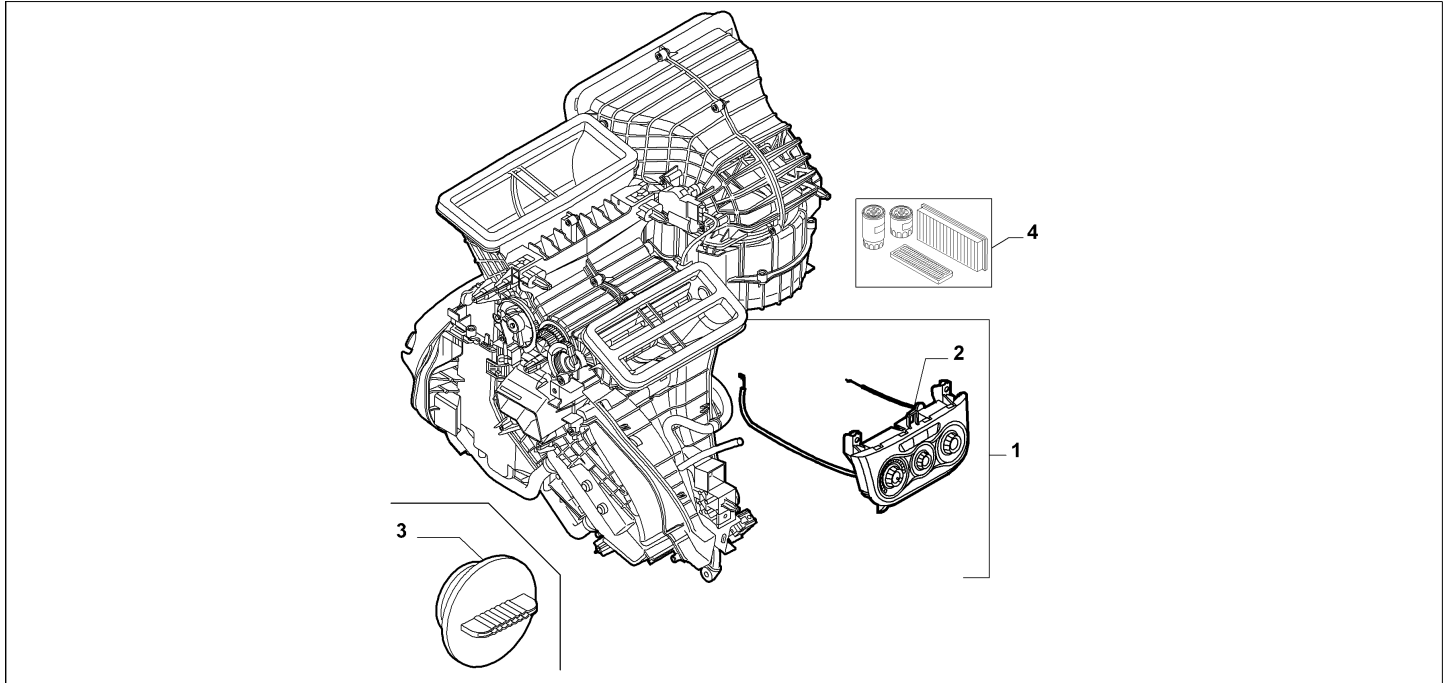
Catalogue	MITO 2008-2011	
Category	13.1 VENTILATION AND HEATING	
Var.	04	(PETROL + 120HP, 155HP) + !((025, 140))
Rev.	00	



Part Num.	Description	Compatibility	Modif.	Qty	Notes	Col.	Reman.
1	51815684 DUCTING, RH			01			
2	51815685 DUCTING, LH			01			
3	55701452 DUCTING, RH			01			
4	55701453 DUCTING, LH			01			
5	735266957 BUTTON			01			
6	51724242 DUCTING, LAT DS	LHD		01			
6	51760556 DUCTING, LAT DS	RHD		01			
7	51724243 DUCTING, LAT SN	LHD		01			
7	51760564 DUCTING, LAT SN	RHD		01			
8	46558583 SCREW			02			
9	60588997 BRACKET			01			

Legend	
025	AIR CONDITIONER 1
140	CLIMATE CONTROL 2
PETROL	FUEL:PETROL
RHD	STEERING:RIGHT
LHD	STEERING:LEFT
155HP	POWER:1.4 FIRE 16V TURBO 155HP (EURO 5)
120HP	POWER:120HP

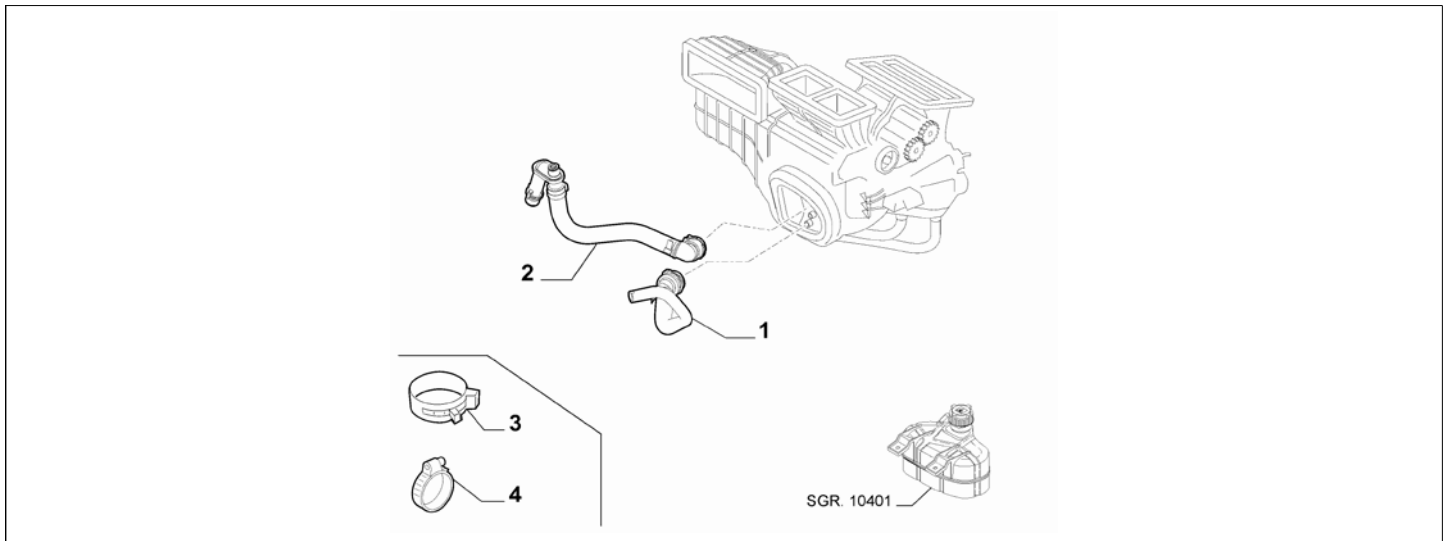
Catalogue	MITO 2008-2011	
Category	13.1 VENTILATION AND HEATING	
Var.	01	1.6D + !(025, 140)
Rev.	00	



Part Num.	Description	Compatibility	Modif.	Qty	Notes	Col.	Reman.
1	156083274	HEATER	LHD+I52Y	C14804	1		
1	156097734	HEATER	LHD+I52Y	D14804	1		
1	156083276	HEATER	RHD+I52Y	C14804	1		
1	156097736	HEATER	RHD+I52Y	D14804	1		
1	156083278	HEATER	LHD+52Y	C14804	1		
1	156097738	HEATER	LHD+52Y	D14804	1		
1	156083279	HEATER	RHD+52Y	C14804	1		
1	156097739	HEATER	RHD+52Y	D14804	1		
2	156083275	ORNAMENT	LHD	C14804	1		
2	156101289	ORNAMENT	LHD	D14804	1		
2	156083277	ORNAMENT	RHD	C14804	1		
2	156101292	ORNAMENT	RHD	D14804	1		
3	55702092	PLUG			01		
4	71765182	FILTER KIT			01	KIT	

Legend	
025	AIR CONDITIONER 1
140	CLIMATE CONTROL 2
52Y	PTC HEATER FOR DIESEL
1.6D	HORSE POWER (MARKET):1598
RHD	STEERING:RIGHT
LHD	STEERING:LEFT
14804	ADOPTION OF MATT PAINTING ON PLASTIC ITEMS [DAT 15/10/2010]

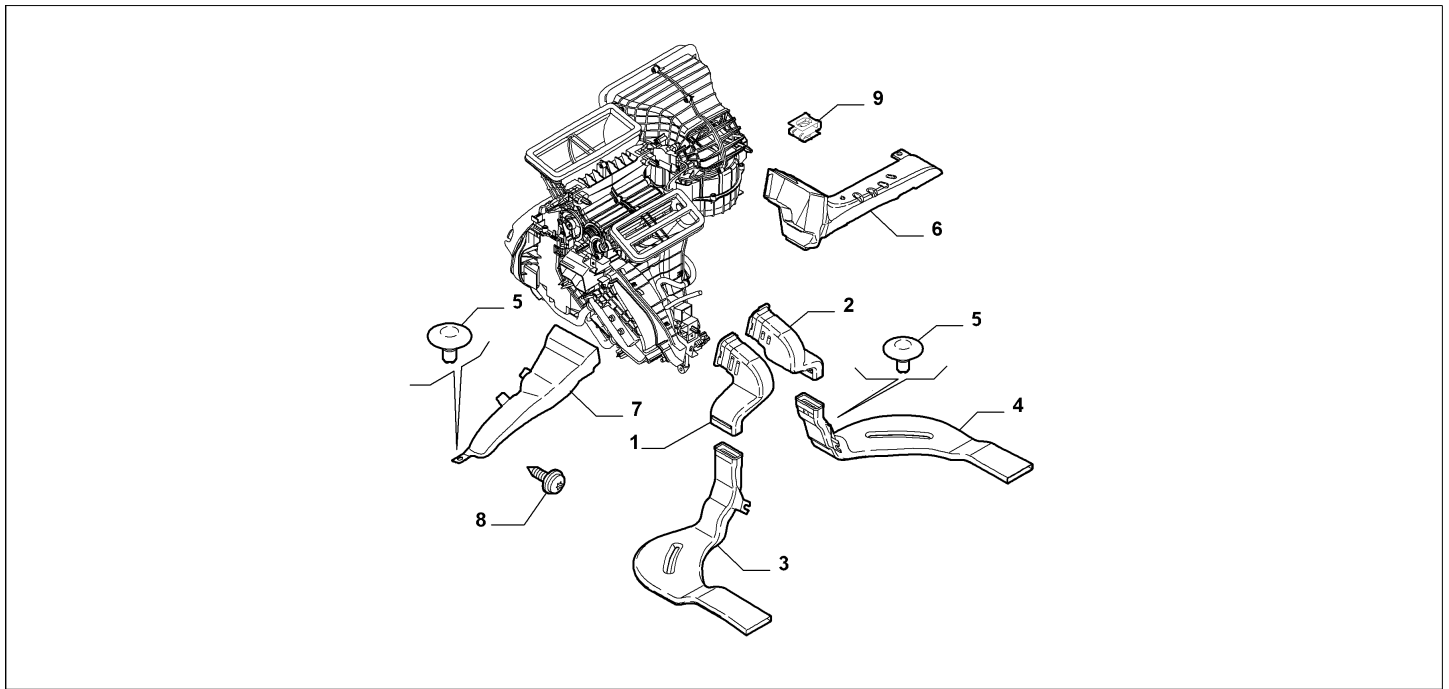
Catalogue	MITO 2008-2011	
Category	13.1 VENTILATION AND HEATING	
Var.	02	1.6D + !(025, 140)
Rev.	00	



Part Num.	Description	Compatibility	Modif.	Qty	Notes	Col.	Reman.
1	50508370 HOSE			01			
2	51806050 HOSE			01			
3	11448170 COLLAR			01			
4	10860270 COLLAR, DIAM 23			01			
4	13126270 COLLAR, DIAM 21,5			01			
4	13126370 COLLAR, DIAM 22,5			01			
4	11447570 COLLAR, DIAM 25			01			

Legend	
025	AIR CONDITIONER 1
140	CLIMATE CONTROL 2
1.6D	HORSE POWER (MARKET):1598

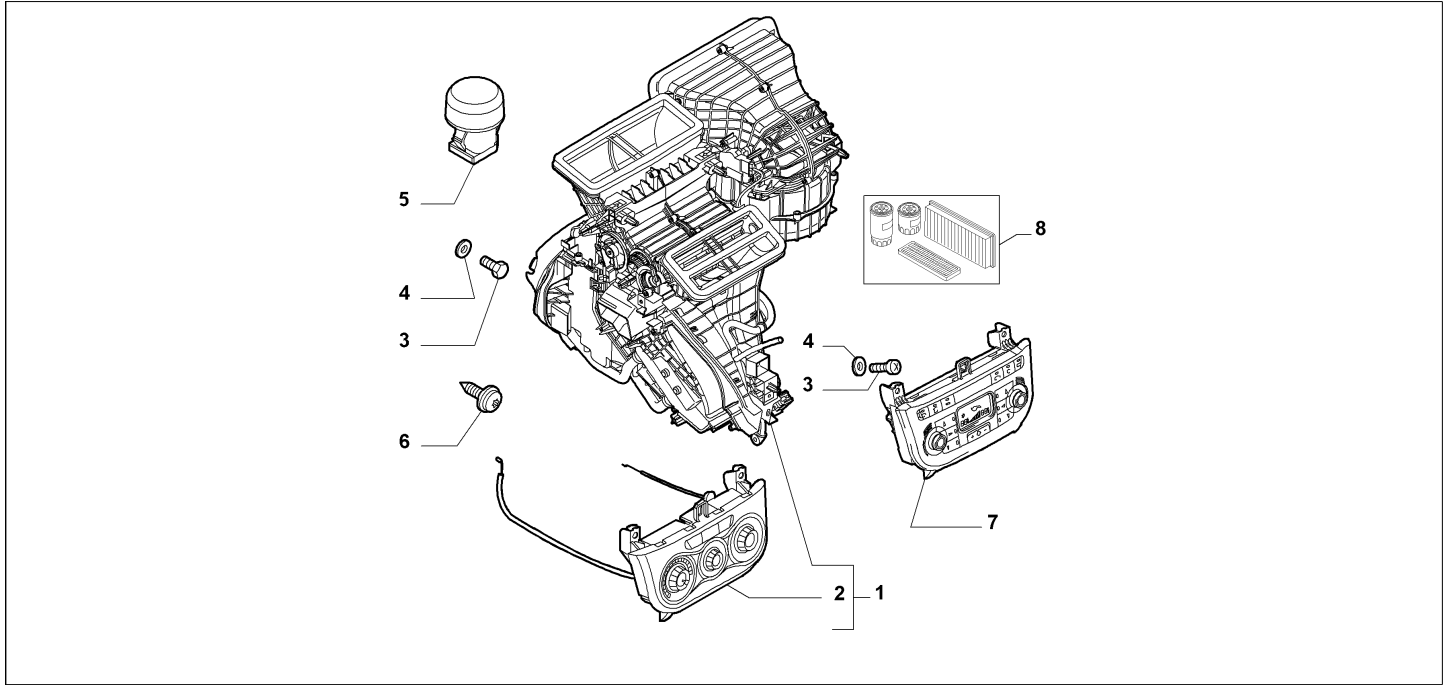
Catalogue	MITO 2008-2011	
Category	13.1 VENTILATION AND HEATING	
Var.	03	1.6D + !(025, 140)
Rev.	00	



Part Num.	Description	Compatibility	Modif.	Qty	Notes	Col.	Reman.
1	51815684 DUCTING, RH		D14105	01			
2	51815685 DUCTING, LH		D14105	01			
3	55701452 DUCTING, RH		D14105	01			
4	55701453 DUCTING, LH		D14105	01			
5	735266957 BUTTON			01			
6	51724242 DUCTING, LAT DS	LHD		01			
6	51760556 DUCTING, LAT DS	RHD		01			
7	51724243 DUCTING, LAT SN	LHD		01			
7	51760564 DUCTING, LAT SN	RHD		01			
8	46558583 SCREW			02			
9	60588997 BRACKET			01			

Legend	
025	AIR CONDITIONER 1
140	CLIMATE CONTROL 2
1.6D	HORSE POWER (MARKET):1598
RHD	STEERING:RIGHT
LHD	STEERING:LEFT
14105	MATS STANDARDISED [DAT 17/06/2010]

Catalogue	MITO 2008-2011	
Category	13.1 VENTILATION AND HEATING	
Var.	01	1.6D + (025, 140)
Rev.	00	

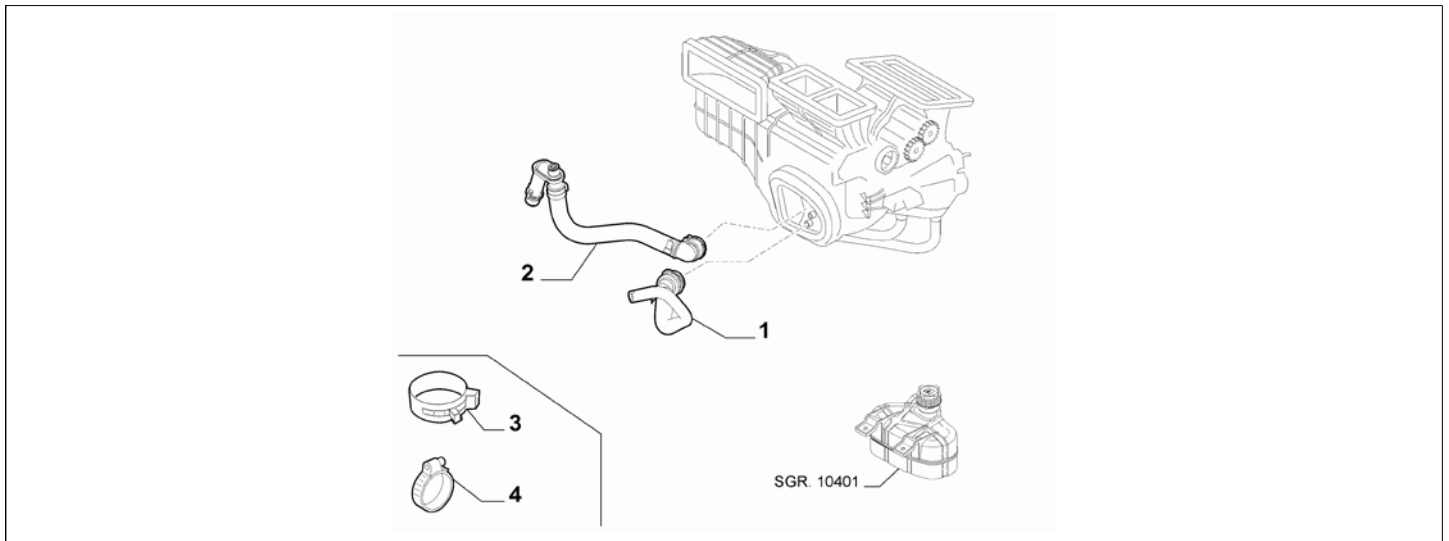


Part Num.	Description	Compatibility	Modif.	Qty	Notes	Col.	Reman.
1	156083328	AIR CONDITIONER	LHD+025+I52Y	C14804	1		
1	156097728	AIR CONDITIONER	LHD+025+I52Y	D14804	1		
1	156083332	AIR CONDITIONER	RHD+025+I52Y	C14804	1		
1	156097730	AIR CONDITIONER	RHD+025+I52Y	D14804	1		
1	156083334	AIR CONDITIONER	LHD+025+52Y	C14804	1		
1	156097732	AIR CONDITIONER	LHD+025+52Y	D14804	1		
1	156083335	AIR CONDITIONER	RHD+025+52Y	C14804	1		
1	156097733	AIR CONDITIONER	RHD+025+52Y	D14804	1		
1	50511627	AIR CONDITIONER	LHD+140+I52Y		1		
1	50511628	AIR CONDITIONER	RHD+140+I52Y		1		
1	50511629	AIR CONDITIONER	LHD+140+52Y		1		
1	50511630	AIR CONDITIONER	RHD+140+52Y		1		
2	156083331	ORNAMENT	LHD+025	C14804	01		
2	156101282	ORNAMENT	LHD+025	D14804	01		
2	156083333	ORNAMENT	RHD+025	C14804	01		
2	156101285	ORNAMENT	RHD+025	D14804	01		
3	811900002	SCREW, M6X1X16			04		
4	12647701	PLANE WASHER			04		
5	51777321	SENSOR	140		01		
6	46558583	SCREW			04		
7	156083390	ELECTRONIC CONTROL UNIT	140	C12980	01		
7	156088743	ELECTRONIC CONTROL UNIT	140	D12980	01		
8	71765253	FILTER KIT	1.6D		01	KIT	

Legend	
025	AIR CONDITIONER 1
140	CLIMATE CONTROL 2
52Y	PTC HEATER FOR DIESEL
1.6D	HORSE POWER (MARKET):1598
RHD	STEERING:RIGHT

LHD	STEERING:LEFT
12980	NEW CONTROL FOR AIR-CONDITIONING [DAT 15/08/2008]
14804	ADOPTION OF MATT PAINTING ON PLASTIC ITEMS [DAT 15/10/2010]

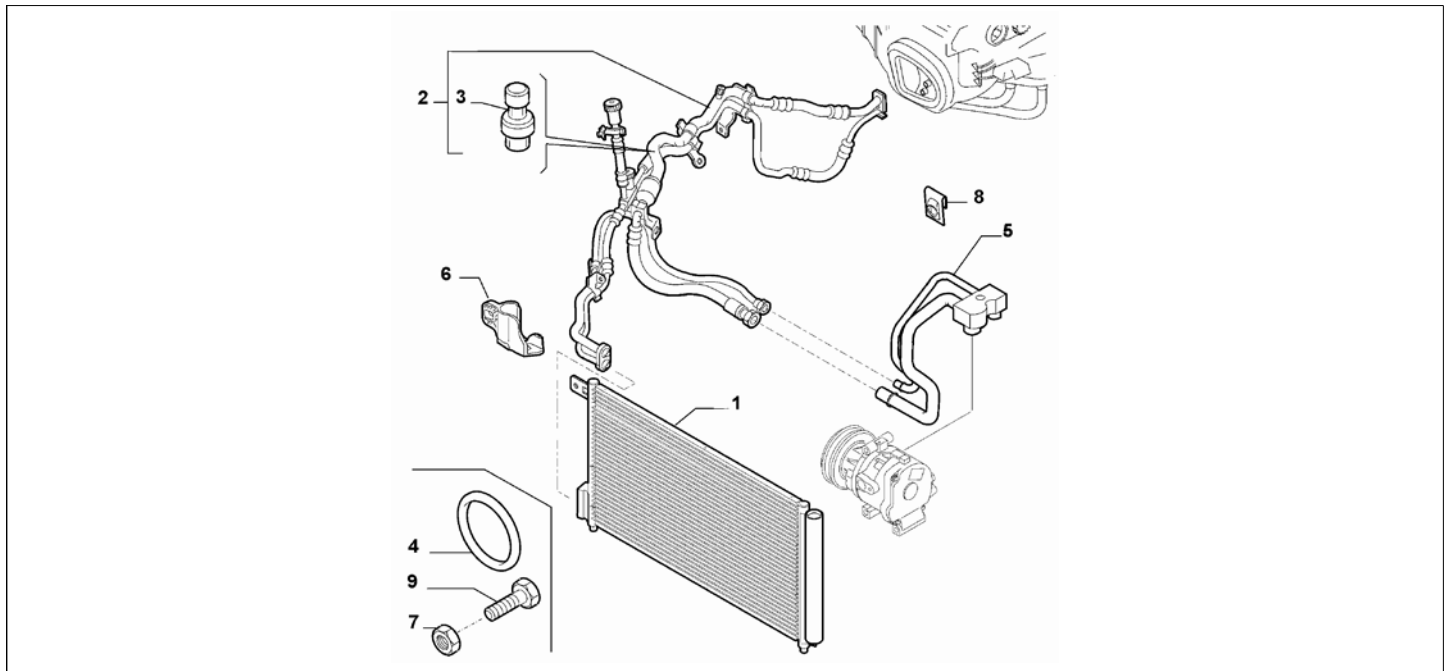
Catalogue	MITO 2008-2011	
Category	13.1 VENTILATION AND HEATING	
Var.	02	1.6D + (025, 140)
Rev.	00	



Part Num.	Description	Compatibility	Modif.	Qty	Notes	Col.	Reman.
1	50508370 HOSE			01			
2	51806050 HOSE			01			
3	11448170 COLLAR			01			
4	10860270 COLLAR, DIAM 23			01			
4	13126270 COLLAR, DIAM 21,5			01			
4	13126370 COLLAR, DIAM 22,5			01			
4	11447570 COLLAR, DIAM 25			01			

Legend	
025	AIR CONDITIONER 1
140	CLIMATE CONTROL 2
1.6D	HORSE POWER (MARKET):1598

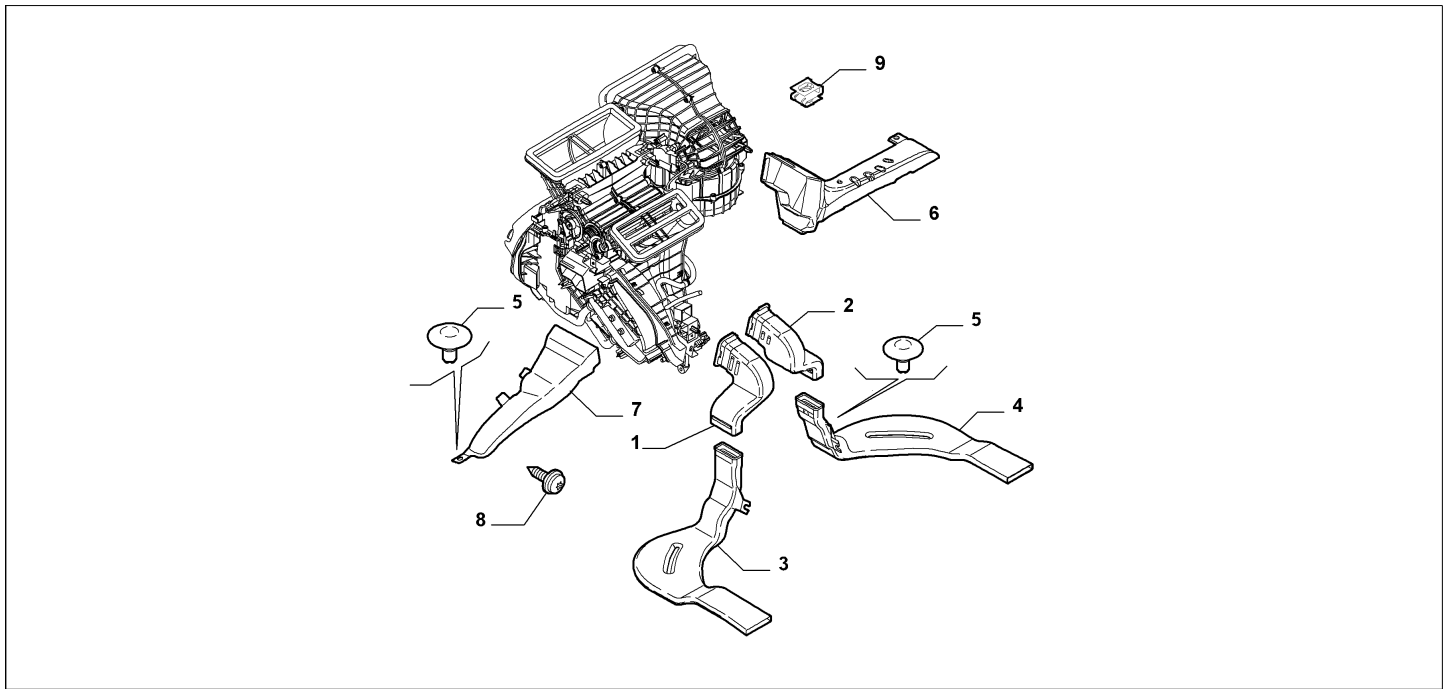
Catalogue	MITO 2008-2011	
Category	13.1 VENTILATION AND HEATING	
Var.	03	1.6D + (025, 140)
Rev.	00	



Part Num.	Description	Compatibility	Modif.	Qty	Notes	Col.	Reman.
1	51826520 CONDENSER			01			
2	50508655 HOSE, COMPL			01			
3	50550372 PRESSURESTAT			01			
4	10852283 SEAL GASKET, DIAM 6,6			01			
4	10852383 SEAL GASKET, DIAM 13,87			01			
4	10877980 SEAL GASKET, 1/2"			02			
4	10877887 SEAL GASKET, 3/8"			02			
4	10878180 SEAL GASKET, 3/4" DIA 17,10			01			
5	50508651 HOSE, COMPL			01			
6	51822958 BRACKET			01			
7	14040611 NUT, M6			06			
8	14189071 BRACKET			01			
9	811900004 SCREW, M6X1X20			02			
9	811900014 SCREW, M8X30			01			
9	811900015 SCREW, M8X30			01			

Legend	
025	AIR CONDITIONER 1
140	CLIMATE CONTROL 2
1.6D	HORSE POWER (MARKET):1598

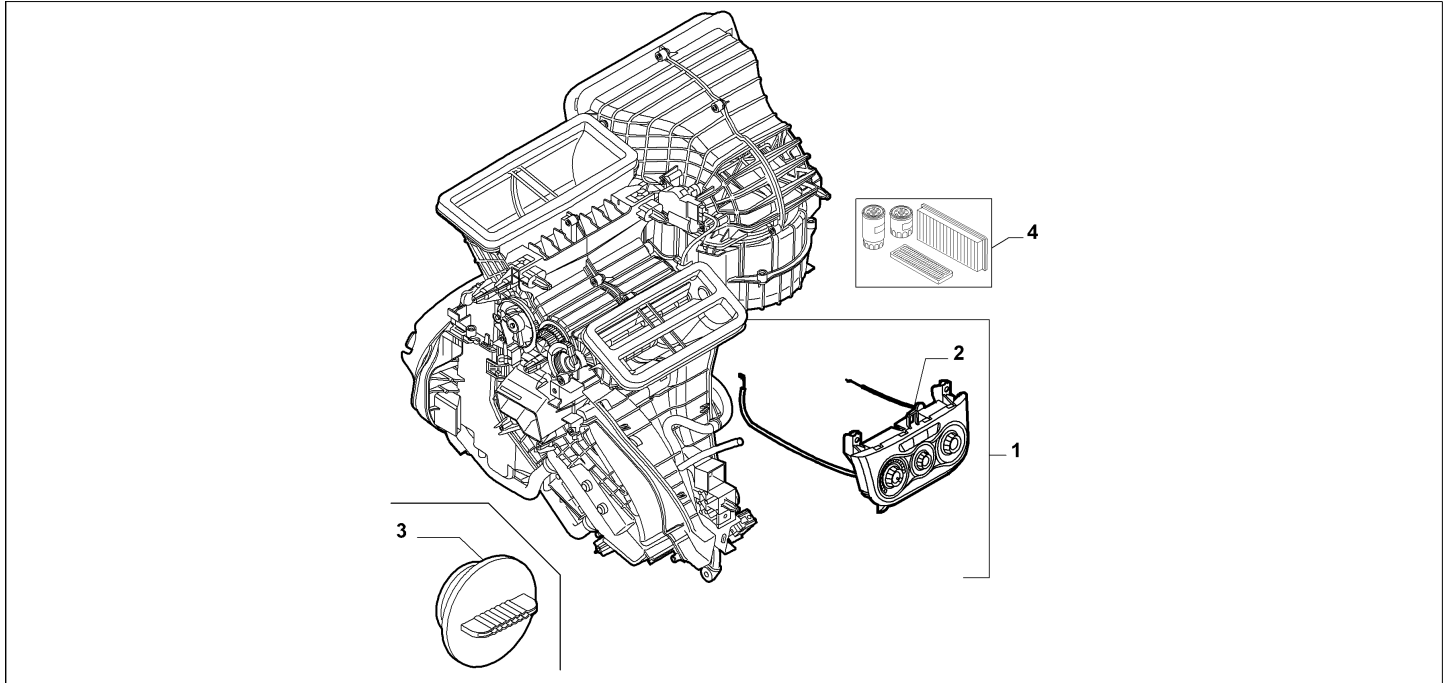
Catalogue	MITO 2008-2011	
Category	13.1 VENTILATION AND HEATING	
Var.	04	1.6D + (025, 140)
Rev.	00	



Part Num.	Description	Compatibility	Modif.	Qty	Notes	Col.	Reman.
1	51815684 DUCTING, RH			01			
2	51815685 DUCTING, LH			01			
3	55701452 DUCTING, RH			01			
4	55701453 DUCTING, LH			01			
5	735266957 BUTTON			03			
6	51724242 DUCTING, LAT DS	LHD		01			
6	51760556 DUCTING, LAT DS	RHD		01			
7	51724243 DUCTING, LAT SN	LHD		01			
7	51760564 DUCTING, LAT SN	RHD		01			
8	46558583 SCREW			02			
9	60588997 BRACKET			01			

Legend	
025	AIR CONDITIONER 1
140	CLIMATE CONTROL 2
1.6D	HORSE POWER (MARKET):1598
RHD	STEERING:RIGHT
LHD	STEERING:LEFT

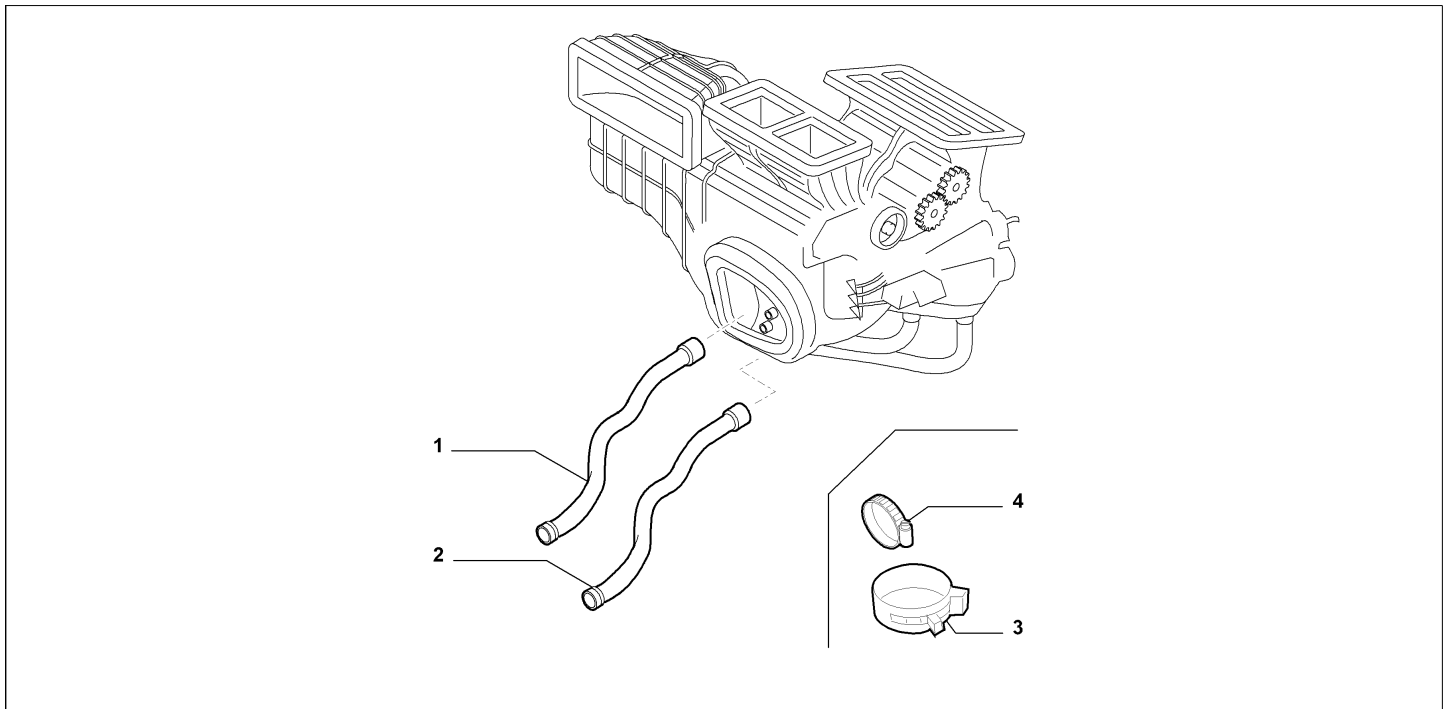
Catalogue	MITO 2008-2011	
Category	13.1 VENTILATION AND HEATING	
Var.	01	(85HP, 90HP, 95HP) + !((025, 140))
Rev.	00	



Part Num.	Description	Compatibility	Modif.	Qty	Notes	Col.	Reman.
1	156083274	HEATER	LHD+I52Y	C14804	1		
1	156097734	HEATER	LHD+I52Y	D14804	1		
1	156083276	HEATER	RHD+I52Y	C14804	1		
1	156097736	HEATER	RHD+I52Y	D14804	1		
1	156083278	HEATER	LHD+52Y	C14804	1		
1	156097738	HEATER	LHD+52Y	D14804	1		
1	156083279	HEATER	RHD+52Y	C14804	1		
1	156097739	HEATER	RHD+52Y	D14804	1		
2	156083275	ORNAMENT	LHD	C14804	01		
2	156101289	ORNAMENT	LHD	D14804	01		
2	156083277	ORNAMENT	RHD	C14804	01		
2	156101292	ORNAMENT	RHD	D14804	01		
3	55702092	PLUG			01		
4	71765182	FILTER KIT			01	KIT	

Legend	
025	AIR CONDITIONER 1
140	CLIMATE CONTROL 2
52Y	PTC HEATER FOR DIESEL
RHD	STEERING:RIGHT
LHD	STEERING:LEFT
85HP	POWER:1.3 SDE 85HP EURO5
90HP	POWER:1.3 SDE 90HP EURO4
95HP	POWER:95HP
14804	ADOPTION OF MATT PAINTING ON PLASTIC ITEMS [DAT 15/10/2010]

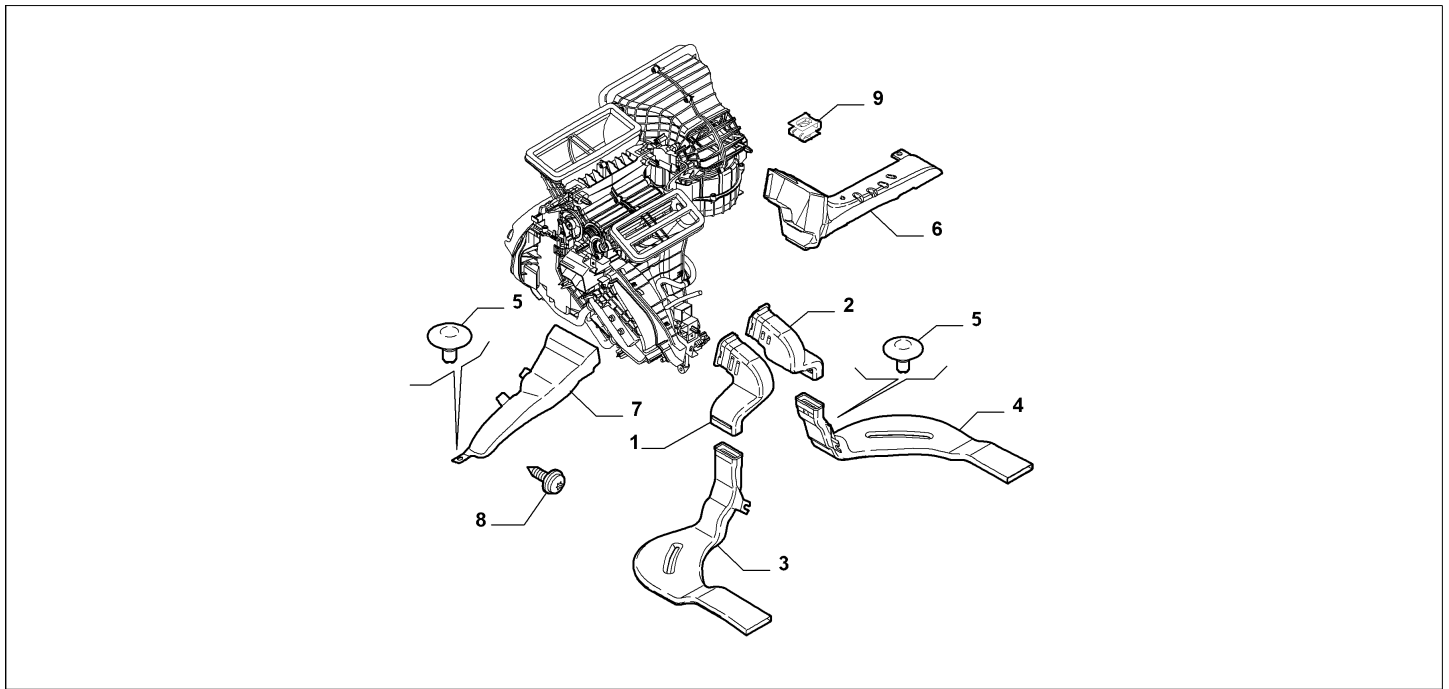
Catalogue	MITO 2008-2011	
Category	13.1 VENTILATION AND HEATING	
Var.	02	(85HP, 90HP, 95HP) + !((025, 140))
Rev.	00	



Part Num.	Description	Compatibility	Modif.	Qty	Notes	Col.	Reman.
1	51779537 HOSE	EURO4		1			
1	51813233 HOSE	EURO5		1			
2	51779535 HOSE	EURO4		1			
2	51872643 HOSE	EURO5		1			
3	11448170 COLLAR			01			
4	13126270 COLLAR, DIAM 21,5			01			
4	13126370 COLLAR, DIAM 22,5			01			
4	11447570 COLLAR, DIAM 25			01			

Legend	
025	AIR CONDITIONER 1
140	CLIMATE CONTROL 2
EURO4	ECOLOGY:EEC LIM. STAGE 4
EURO5	ECOLOGY:LIM.ECC PHASE 5
85HP	POWER:1.3 SDE 85HP EURO5
90HP	POWER:1.3 SDE 90HP EURO4
95HP	POWER:95HP

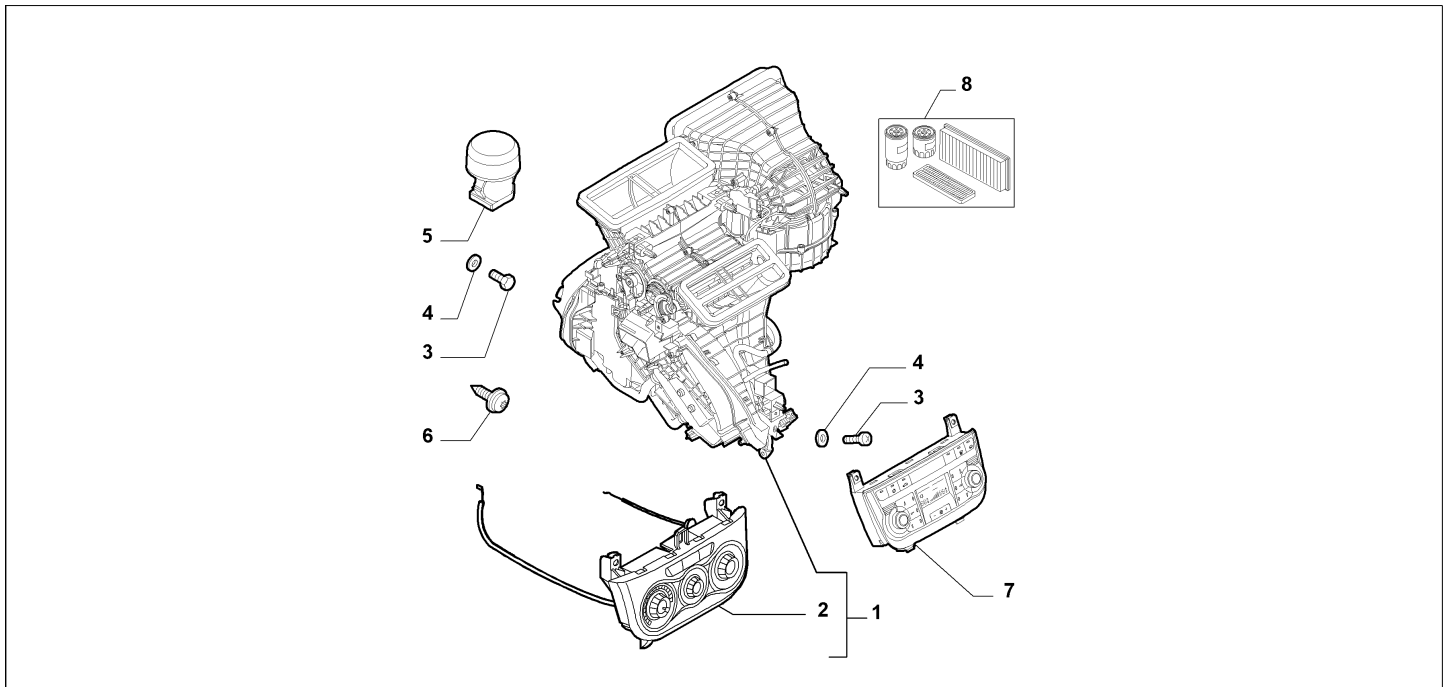
Catalogue	MITO 2008-2011	
Category	13.1 VENTILATION AND HEATING	
Var.	03	(85HP, 90HP, 95HP) + !((025, 140))
Rev.	00	



Part Num.	Description	Compatibility	Modif.	Qty	Notes	Col.	Reman.
1	51815684 DUCTING, RIGHT		D14105	01			
2	51815685 DUCTING, LEFT		D14105	01			
3	55701452 DUCTING, RIGHT		D14105	01			
4	55701453 DUCTING, LEFT		D14105	01			
5	735266957 BUTTON			01			
6	51724242 DUCTING, RIGHT	LHD		01			
6	51760556 DUCTING, RIGHT	RHD		01			
7	51724243 DUCTING, LEFT	LHD		01			
7	51760564 DUCTING, LEFT	RHD		01			
8	46558583 SCREW			02			
9	60588997 BRACKET			01			

Legend	
025	AIR CONDITIONER 1
140	CLIMATE CONTROL 2
RHD	STEERING:RIGHT
LHD	STEERING:LEFT
85HP	POWER:1.3 SDE 85HP EURO5
90HP	POWER:1.3 SDE 90HP EURO4
95HP	POWER:95HP
14105	MATS STANDARDISED [DAT 17/06/2010]

Catalogue	MITO 2008-2011	
Category	13.1 VENTILATION AND HEATING	
Var.	01	(85HP, 90HP, 95HP) + (025, 140)
Rev.	00	

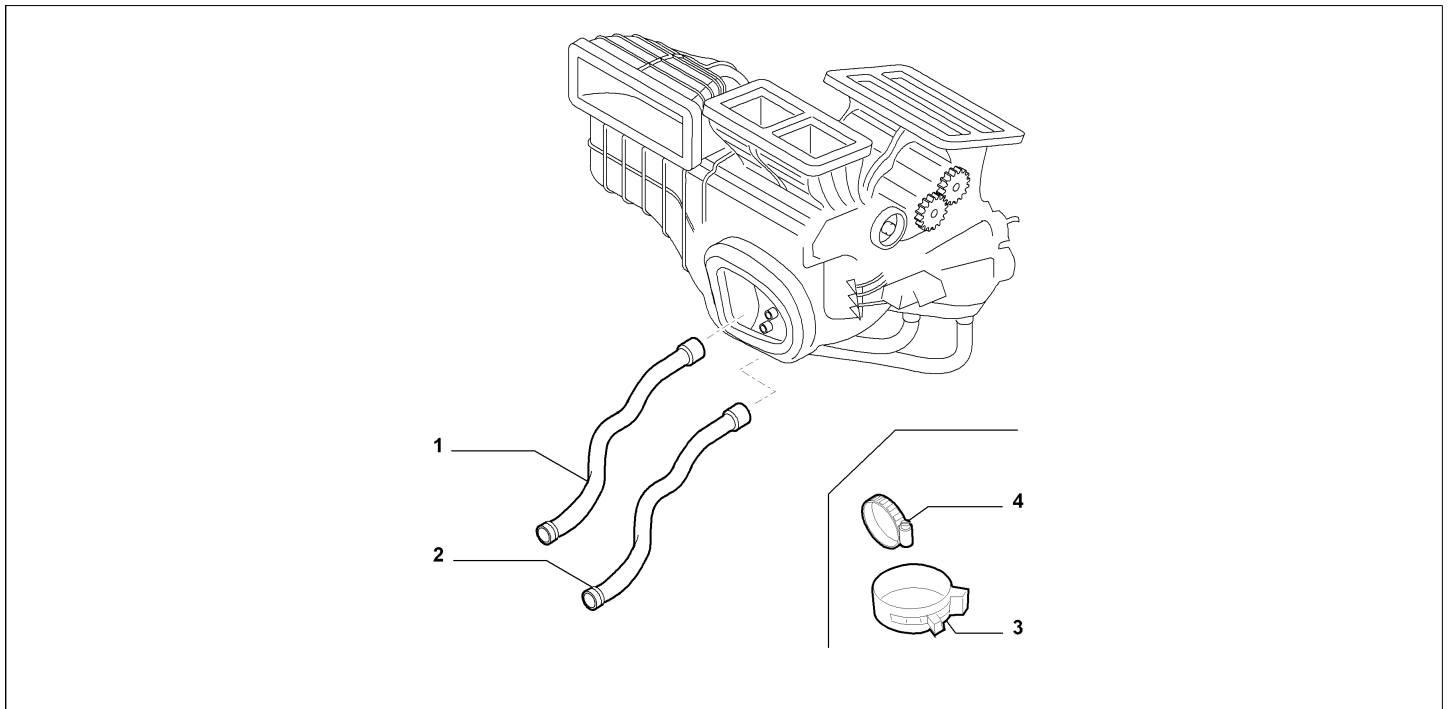


Part Num.	Description	Compatibility	Modif.	Qty	Notes	Col.	Reman.
1	156083328	AIR CONDITIONER	LHD+025+I52Y	C14804	1		
1	156097728	AIR CONDITIONER	LHD+025+I52Y	D14804	1		
1	156083332	AIR CONDITIONER	RHD+025+I52Y	C14804	1		
1	156097730	AIR CONDITIONER	RHD+025+I52Y	D14804	1		
1	156083334	AIR CONDITIONER	LHD+025+52Y	C14804	1		
1	156097732	AIR CONDITIONER	LHD+025+52Y	D14804	1		
1	156083335	AIR CONDITIONER	RHD+025+52Y	C14804	1		
1	156097733	AIR CONDITIONER	RHD+025+52Y	D14804	1		
1	50511627	AIR CONDITIONER	LHD+140+I52Y		1		
1	50511628	AIR CONDITIONER	RHD+140+I52Y		1		
1	50511629	AIR CONDITIONER	LHD+140+52Y		1		
1	50511630	AIR CONDITIONER	RHD+140+52Y		1		
2	156083331	ORNAMENT	LHD+025	C14804	01		
2	156101282	ORNAMENT	LHD+025	D14804	01		
2	156083333	ORNAMENT	RHD+025	C14804	01		
2	156101285	ORNAMENT	RHD+025	D14804	01		
3	811900002	SCREW, M6X1X16			04		
4	12647701	PLANE WASHER			04		
5	51777321	SENSOR			01		
6	46558583	SCREW			04		
7	156083390	ELECTRONIC CONTROL UNIT	140	C12980	01		
7	156088743	ELECTRONIC CONTROL UNIT	140	D12980	01		
8	71765244	FILTER KIT, UFI			01	KIT	
8	71765257	FILTER KIT, PURFLUX			01	KIT	

Legend	
025	AIR CONDITIONER 1
140	CLIMATE CONTROL 2
52Y	PTC HEATER FOR DIESEL
RHD	STEERING:RIGHT

LHD	STEERING:LEFT
85HP	POWER:1.3 SDE 85HP EURO5
90HP	POWER:1.3 SDE 90HP EURO4
95HP	POWER:95HP
12980	NEW CONTROL FOR AIR-CONDITIONING [DAT 15/08/2008]
14804	ADOPTION OF MATT PAINTING ON PLASTIC ITEMS [DAT 15/10/2010]

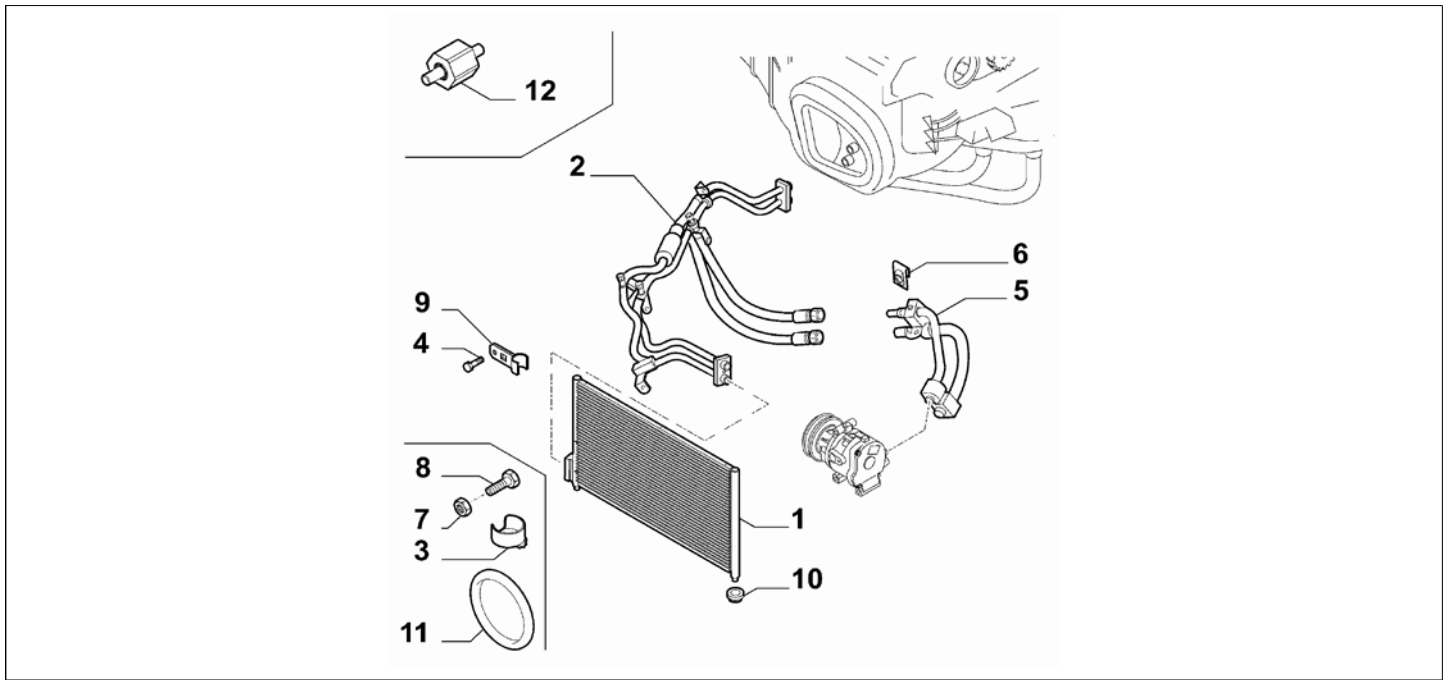
Catalogue	MITO 2008-2011	
Category	13.1 VENTILATION AND HEATING	
Var.	02	(85HP, 90HP, 95HP) + (025, 140)
Rev.	00	



Part Num.	Description	Compatibility	Modif.	Qty	Notes	Col.	Reman.
1	51779537 HOSE	EURO4		1			
1	51813233 HOSE	EURO5		1			
2	51779535 HOSE	EURO4		1			
2	51872643 HOSE	EURO5		1			
3	11448170 COLLAR			01			
4	13126270 COLLAR, DIAM 21,5			01			
4	13126370 COLLAR, DIAM 22,5			01			
4	11447570 COLLAR, DIAM 23			01			

Legend	
025	AIR CONDITIONER 1
140	CLIMATE CONTROL 2
EURO4	ECOLOGY:EEC LIM. STAGE 4
EURO5	ECOLOGY:LIM.ECC PHASE 5
85HP	POWER:1.3 SDE 85HP EURO5
90HP	POWER:1.3 SDE 90HP EURO4
95HP	POWER:95HP

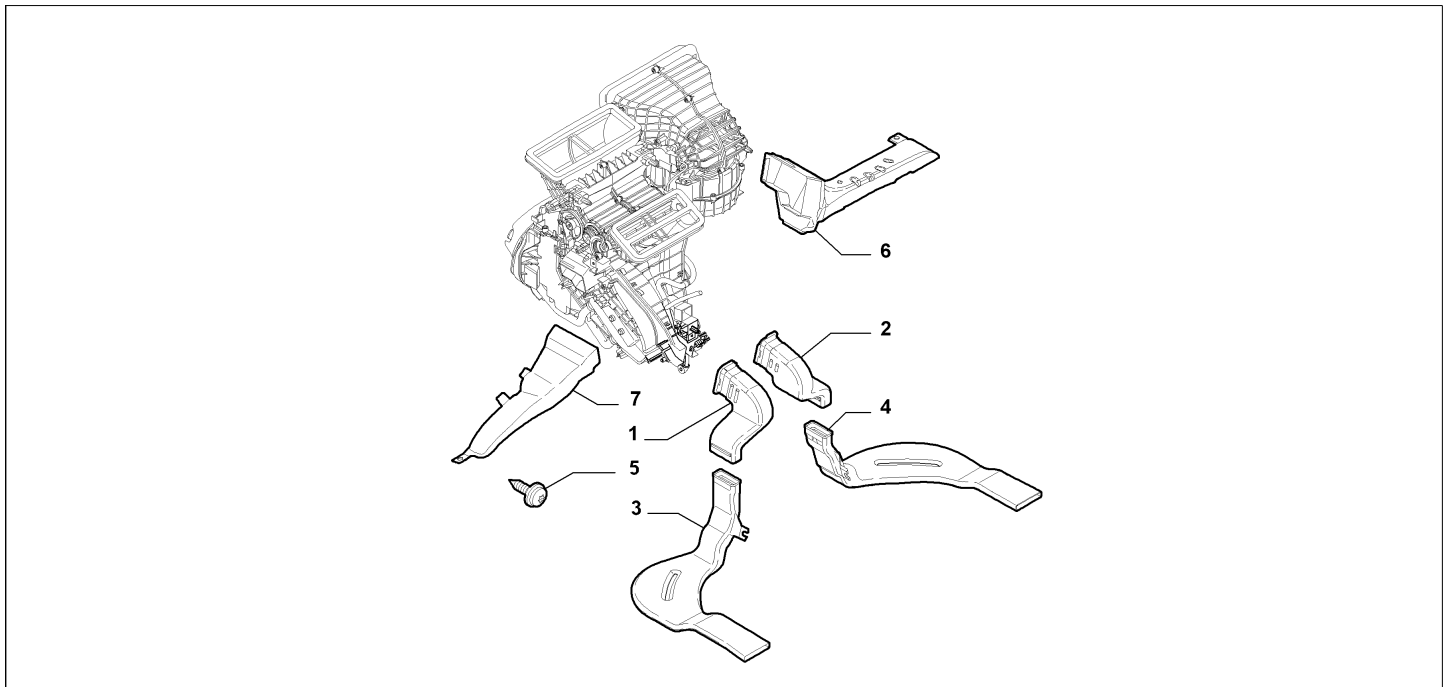
Catalogue	MITO 2008-2011	
Category	13.1 VENTILATION AND HEATING	
Var.	03	(85HP, 90HP, 95HP) + (025, 140)
Rev.	00	



Part Num.	Description	Compatibility	Modif.	Qty	Notes	Col.	Reman.
1	51826520	CONDENSER		01			
2	50519981	HOSE	PCC544+025+1140	1			
2	50519981	HOSE	PCC544+140	1			
2	50519981	HOSE	PCC510+025+1140	1			
2	50519981	HOSE	PCC510+140	1			
3	51826521	BRACKET		01			
4	15699801	SCREW, DIAM 6,6		07			
5	50515420	PIPE		01			
6	14189071	BRACKET		01			
7	811900439	NUT, M6		03			
8	811900016	SCREW, M8X35		01			
8	13835814	SCREW, M6X10		01			
9	55702233	BRACKET		01			
10	7742733	RUBBER BUSHING		02			
11	10852283	SEAL GASKET, DIAM 6,6		01			
11	10852383	SEAL GASKET, DIAM 13,87		01			
11	10877980	SEAL GASKET, 1/2"		02			
11	10877887	SEAL GASKET, 3/8"		02			
12	51855606	PAD		1			

Legend	
025	AIR CONDITIONER 1
140	CLIMATE CONTROL 2
85HP	POWER:1.3 SDE 85HP EURO5
90HP	POWER:1.3 SDE 90HP EURO4
95HP	POWER:95HP
PCC510	GEARBOX DESIGN:GEARBOX
PCC544	GEARBOX DESIGN:GEARBOX 20/28 KGM (M20/M28 3H)

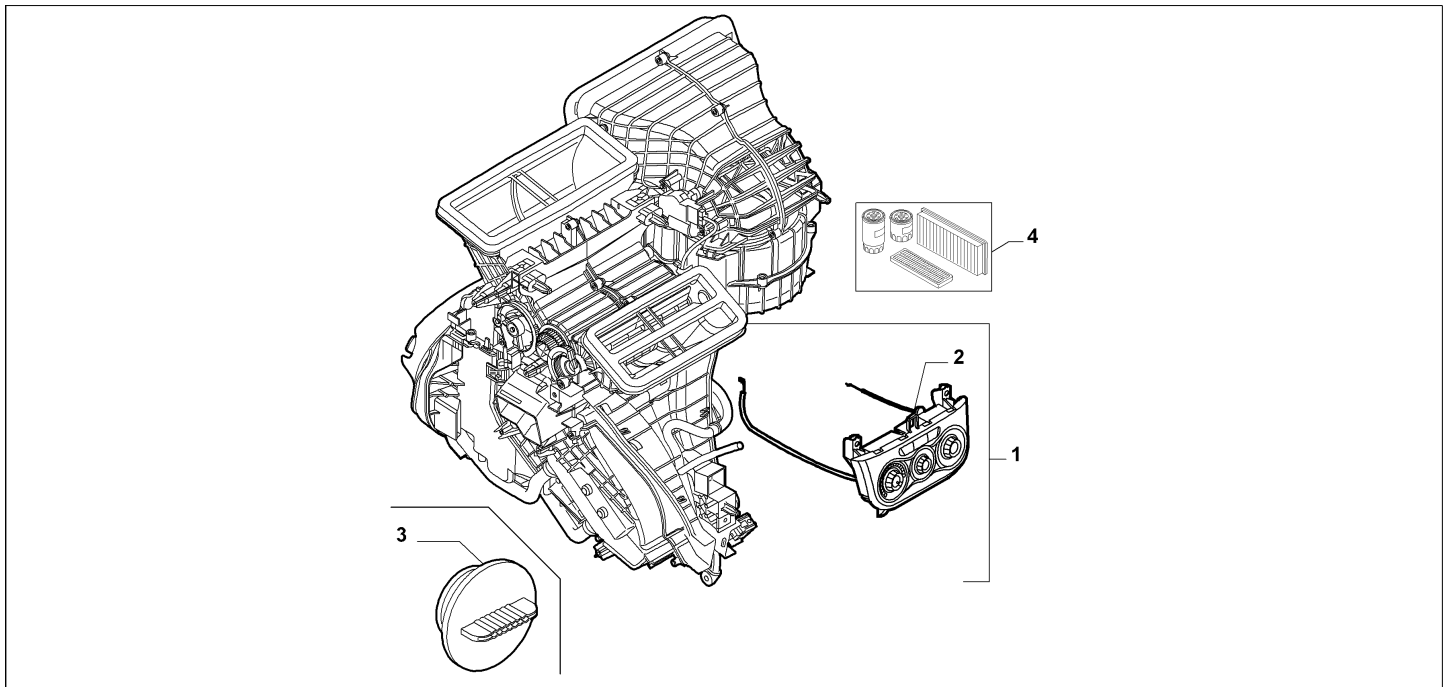
Catalogue	MITO 2008-2011	
Category	13.1 VENTILATION AND HEATING	
Var.	04	(85HP, 90HP, 95HP) + (025, 140)
Rev.	00	



Part Num.	Description	Compatibility	Modif.	Qty	Notes	Col.	Reman.
1	51815685 DUCTING, REAR LEFT			01			
2	51815684 DUCTING, REAR RIGHT			01			
3	55701453 DUCTING, REAR LEFT			01			
4	55701452 DUCTING, REAR RIGHT			01			
5	46558583 SCREW			02			
6	51724242 DUCTING, ANTERIORE DESTRO	LHD		01			
6	51760556 DUCTING, ANTERIORE DESTRO	RHD		01			
7	51724243 DUCTING, FRONT LEFT	LHD		01			
7	51760564 DUCTING, FRONT LEFT	RHD		01			

Legend	
025	AIR CONDITIONER 1
140	CLIMATE CONTROL 2
RHD	STEERING:RIGHT
LHD	STEERING:LEFT
85HP	POWER:1.3 SDE 85HP EURO5
90HP	POWER:1.3 SDE 90HP EURO4
95HP	POWER:95HP

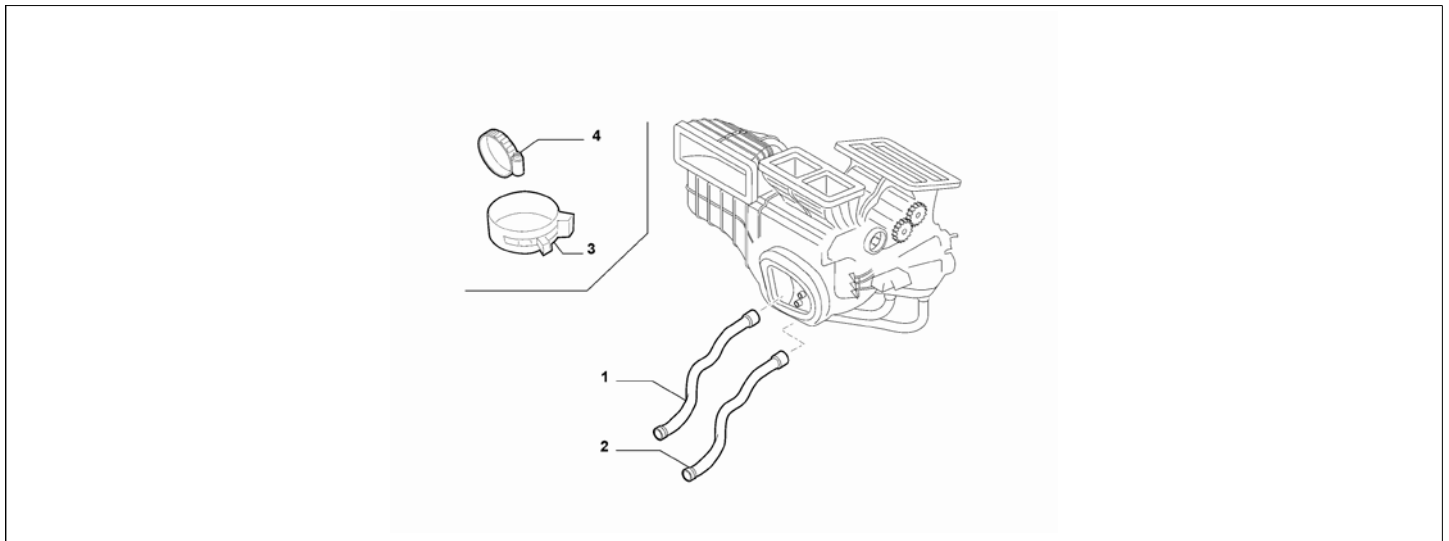
Catalogue	MITO 2008-2011	
Category	13.1 VENTILATION AND HEATING	
Var.	01	(135HP, 170HP) + !((025, 140))
Rev.	00	



Part Num.	Description	Compatibility	Modif.	Qty	Notes	Col.	Reman.
1	156083274	HEATER	LHD	C14804	1		
1	156097734	HEATER	LHD	D14804	1		
1	156083276	HEATER	RHD	C14804	1		
1	156097736	HEATER	RHD	D14804	1		
2	156083275	ORNAMENT	LHD	C14804	01		
2	156101289	ORNAMENT	LHD	D14804	01		
2	156083277	ORNAMENT	RHD	C14804	01		
2	156101292	ORNAMENT	RHD	D14804	01		
3	55702092	PLUG			01		
4	71765182	FILTER KIT			01	KIT	

Legend	
025	AIR CONDITIONER 1
140	CLIMATE CONTROL 2
RHD	STEERING:RIGHT
LHD	STEERING:LEFT
170HP	POWER:1.4 FIRE 16V TURBO MULTIAIR 170HP EURO 5
135HP	POWER:1.4 FIRE 16V TURBO MULTIAIR 135 HP EURO 5
14804	ADOPTION OF MATT PAINTING ON PLASTIC ITEMS [DAT 15/10/2010]

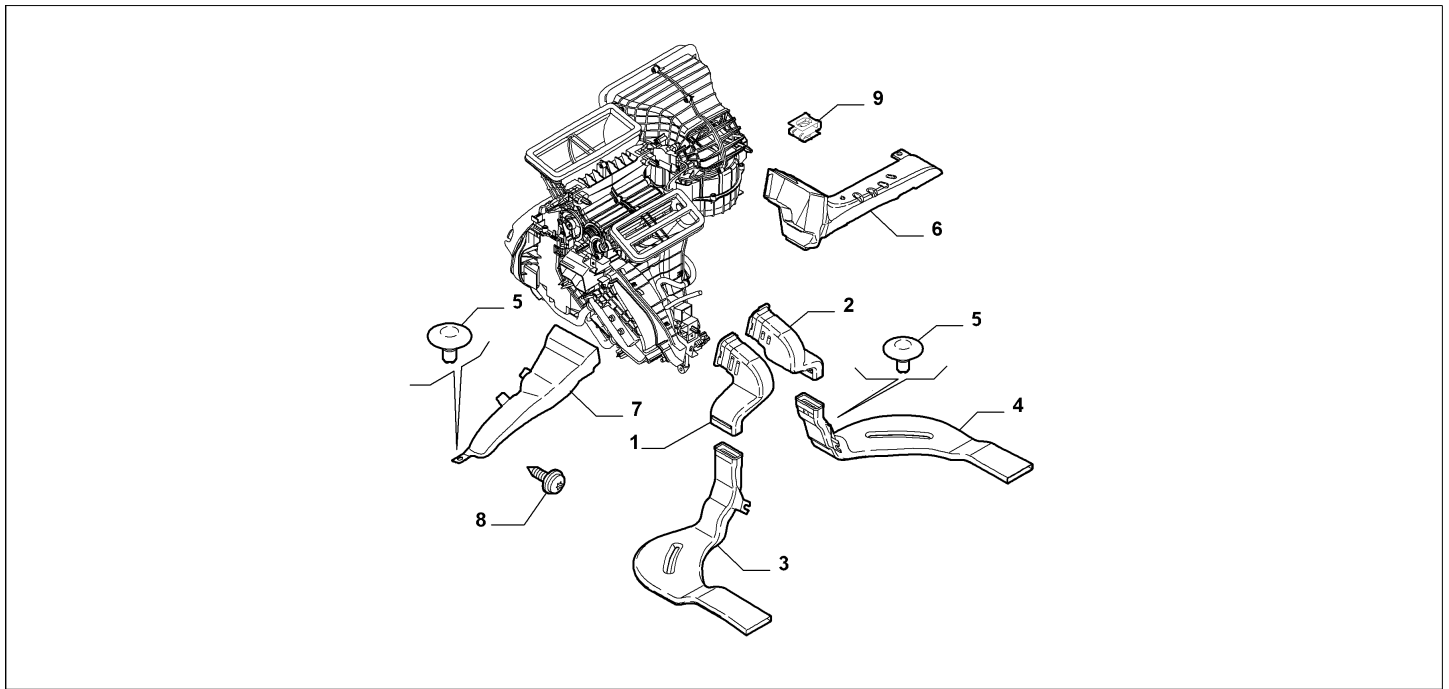
Catalogue	MITO 2008-2011	
Category	13.1 VENTILATION AND HEATING	
Var.	02	(135HP, 170HP) + !((025, 140))
Rev.	00	



Part Num.	Description	Compatibility	Modif.	Qty	Notes	Col.	Reman.
1	50518762	HOSE	PCC635+ITCT	1			
1	51793994	HOSE	PCC510	1			
1	50516175	HOSE	TCT	1			
2	51799836	HOSE	PCC635+ITCT	1			
2	51793993	HOSE	PCC510	1			
2	50516174	HOSE	TCT	1			
3	11448170	COLLAR		01			
4	13126270	COLLAR, DIAM 21,5		01			
4	13126370	COLLAR, DIAM 22,5		01			
4	11447570	COLLAR, DIAM 25		01			

Legend	
025	AIR CONDITIONER 1
140	CLIMATE CONTROL 2
TCT	SPECIFIC GEARBOX
170HP	POWER:1.4 FIRE 16V TURBO MULTIAIR 170HP EURO 5
135HP	POWER:1.4 FIRE 16V TURBO MULTIAIR 135 HP EURO 5
PCC510	GEARBOX DESIGN:GEARBOX
PCC635	GEARBOX DESIGN:GEARBOX 35 KGM

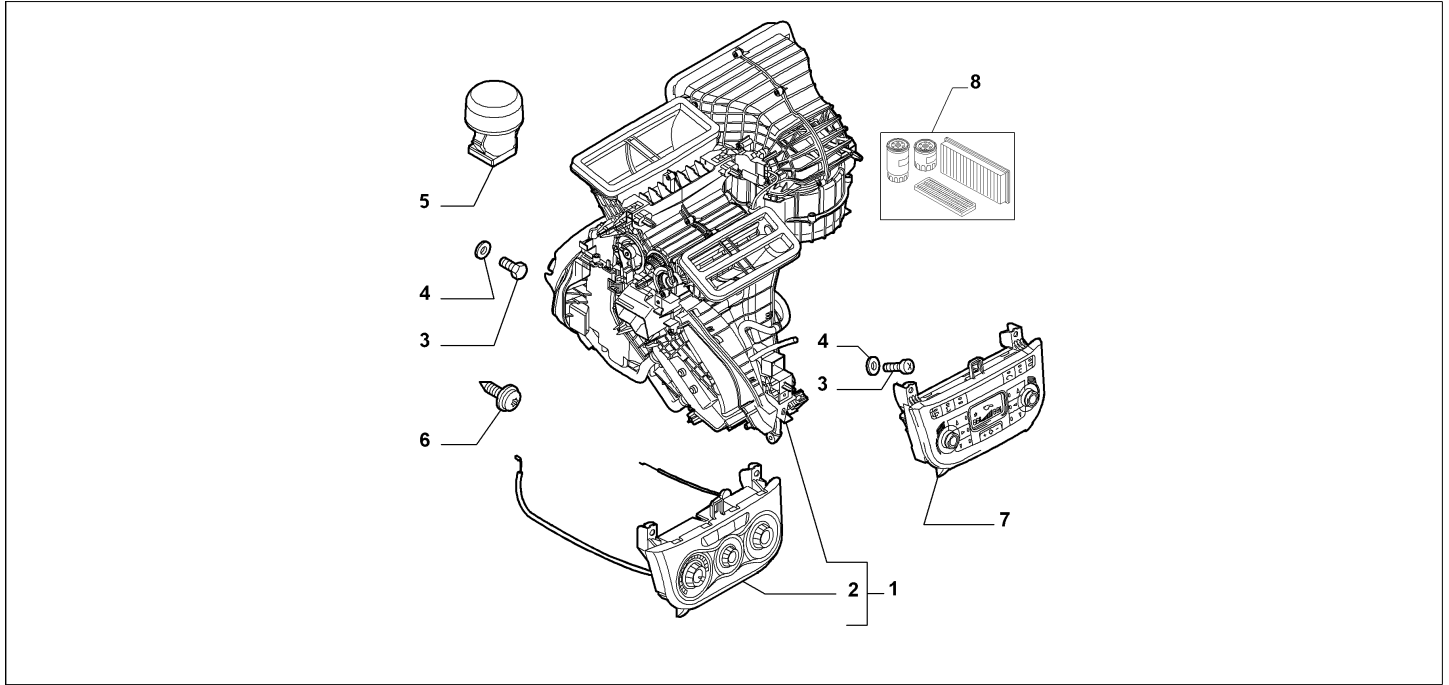
Catalogue	MITO 2008-2011	
Category	13.1 VENTILATION AND HEATING	
Var.	03	(135HP, 170HP) + !((025, 140))
Rev.	00	



Part Num.	Description	Compatibility	Modif.	Qty	Notes	Col.	Reman.
1	51815684 DUCTING, RH			01			
2	51815685 DUCTING, LH			01			
3	55701452 DUCTING, RH			01			
4	55701453 DUCTING, LH			01			
5	735266957 BUTTON			01			
6	51724242 DUCTING, LAT DS	LHD		01			
6	51760556 DUCTING, LAT DS	RHD		01			
7	51724243 DUCTING, LAT SN	LHD		01			
7	51760564 DUCTING, LAT SN	RHD		01			
8	46558583 SCREW			02			
9	60588997 BRACKET			01			

Legend	
025	AIR CONDITIONER 1
140	CLIMATE CONTROL 2
RHD	STEERING:RIGHT
LHD	STEERING:LEFT
170HP	POWER:1.4 FIRE 16V TURBO MULTIAIR 170HP EURO 5
135HP	POWER:1.4 FIRE 16V TURBO MULTIAIR 135 HP EURO 5

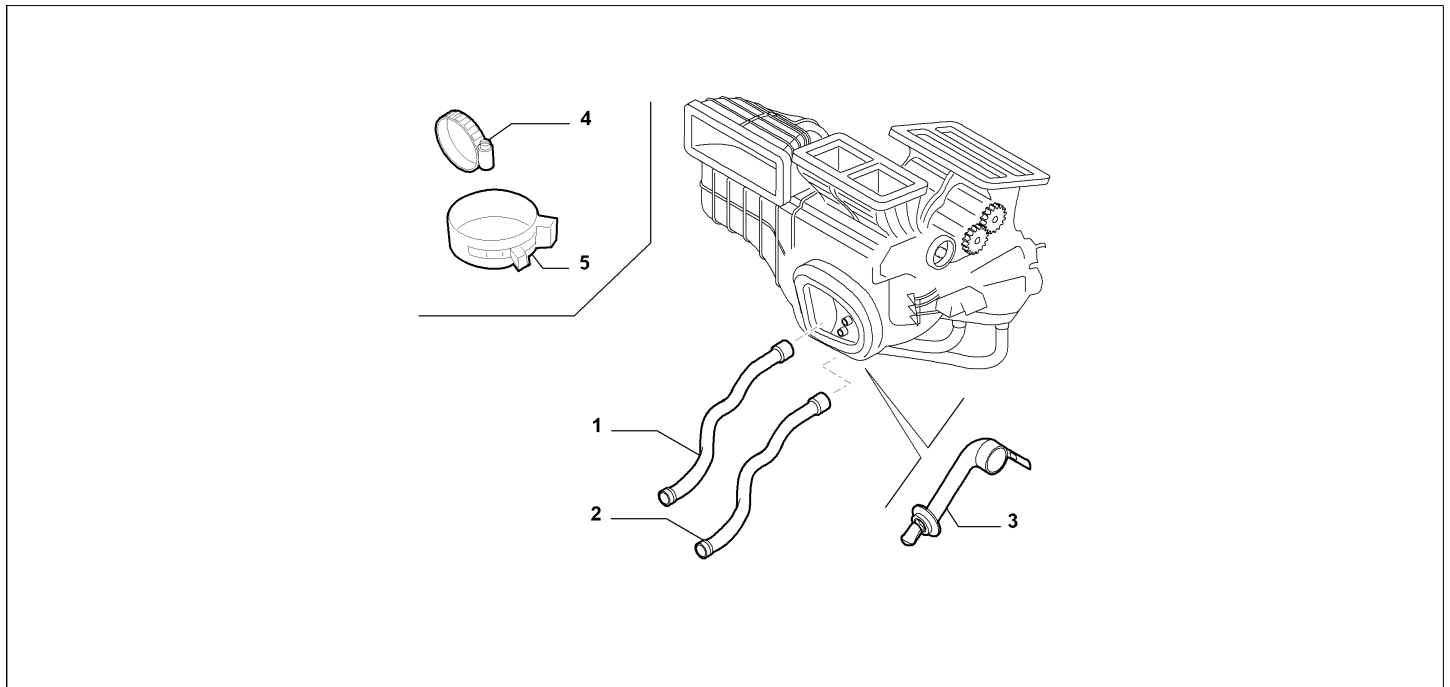
Catalogue	MITO 2008-2011	
Category	13.1 VENTILATION AND HEATING	
Var.	01	(135HP, 170HP) + (025, 140)
Rev.	00	



Part Num.	Description	Compatibility	Modif.	Qty	Notes	Col.	Reman.
1	156083328	AIR CONDITIONER	LHD+025	C14804	1		
1	156097728	AIR CONDITIONER	LHD+025	D14804	1		
1	156083332	AIR CONDITIONER	RHD+025	C14804	1		
1	156097730	AIR CONDITIONER	RHD+025	D14804	1		
1	50511627	AIR CONDITIONER	LHD+140		1		
1	50511628	AIR CONDITIONER	RHD+140		1		
2	156083331	ORNAMENT	LHD+025	C14804	01		
2	156101282	ORNAMENT	LHD+025	D14804	01		
2	156083333	ORNAMENT	RHD+025	C14804	01		
2	156101285	ORNAMENT	RHD+025	D14804	01		
3	811900002	SCREW, M6X1X16			04		
4	12647701	PLANE WASHER			01		
5	51777321	SENSOR	140		01		
6	46558583	SCREW			04		
7	156083390	ELECTRONIC CONTROL UNIT	140	C12980	01		
7	156088743	ELECTRONIC CONTROL UNIT	140	D12980	01		

Legend	
025	AIR CONDITIONER 1
140	CLIMATE CONTROL 2
RHD	STEERING:RIGHT
LHD	STEERING:LEFT
170HP	POWER:1.4 FIRE 16V TURBO MULTIAIR 170HP EURO 5
135HP	POWER:1.4 FIRE 16V TURBO MULTIAIR 135 HP EURO 5
12980	NEW CONTROL FOR AIR-CONDITIONING [DAT 15/08/2008]
14804	ADOPTION OF MATT PAINTING ON PLASTIC ITEMS [DAT 15/10/2010]

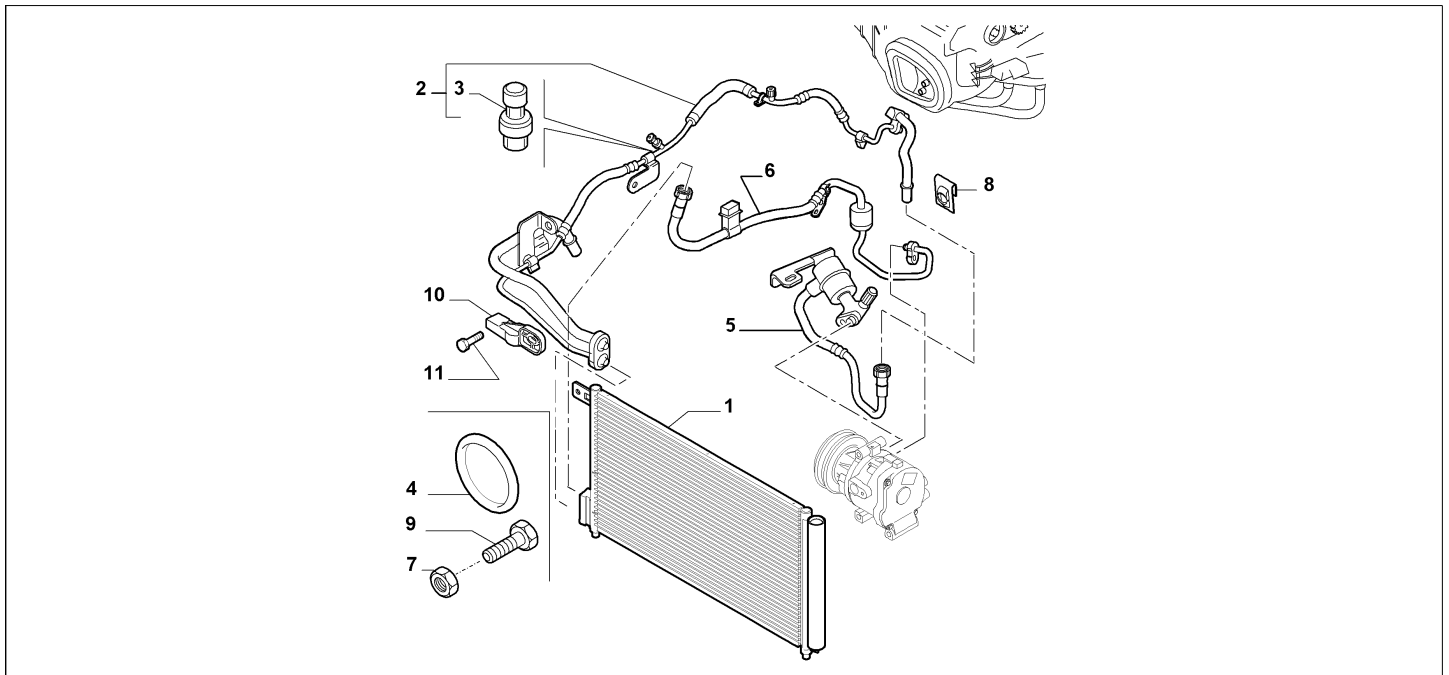
Catalogue	MITO 2008-2011	
Category	13.1 VENTILATION AND HEATING	
Var.	02	(135HP, 170HP) + (025, 140)
Rev.	00	



Part Num.	Description	Compatibility	Modif.	Qty	Notes	Col.	Reman.
1	50518762	HOSE	PCC635+ITCT	1			
1	51793994	HOSE	PCC510	1			
1	50516175	HOSE	TCT	1			
2	51799836	HOSE	1.4+TURBO+PCC544+ITCT, PCC635+ITCT	1			
2	51793993	HOSE	PCC510	1			
2	50516174	HOSE	TCT	1			
3	55700081	SLEEVE		01			
4	13126270	COLLAR, DIAM 21,5		01			
4	13126370	COLLAR, DIAM 22,5		01			
4	11447570	COLLAR, DIAM 25		01			
5	11448170	COLLAR		01			

Legend	
025	AIR CONDITIONER 1
140	CLIMATE CONTROL 2
TCT	SPECIFIC GEARBOX
TURBO	(ASPIRATED/TURBO):TURBO
1.4	HORSE POWER (MARKET):1370
170HP	POWER:1.4 FIRE 16V TURBO MULTIAIR 170HP EURO 5
135HP	POWER:1.4 FIRE 16V TURBO MULTIAIR 135 HP EURO 5
PCC510	GEARBOX DESIGN:GEARBOX
PCC544	GEARBOX DESIGN:GEARBOX 20/28 KGM (M20/M28 3H)
PCC635	GEARBOX DESIGN:GEARBOX 35 KGM

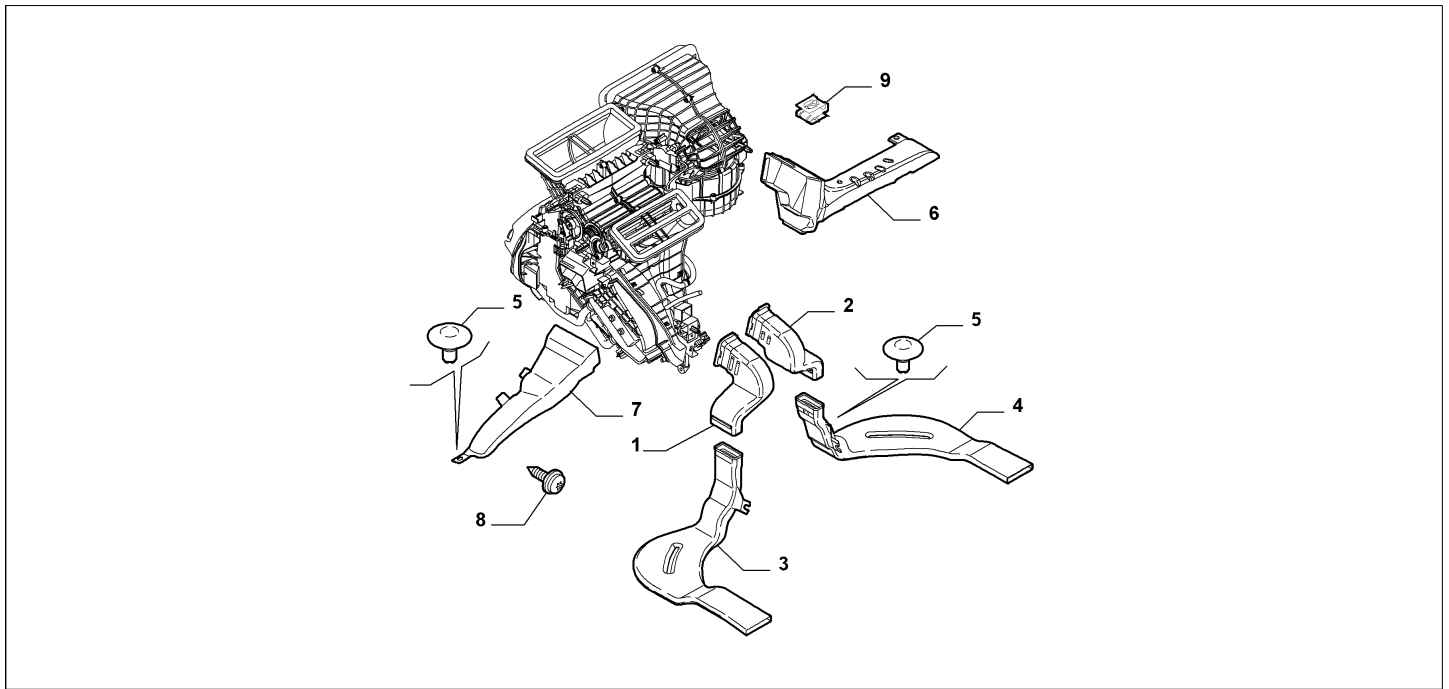
Catalogue	MITO 2008-2011	
Category	13.1 VENTILATION AND HEATING	
Var.	03	(135HP, 170HP) + (025, 140)
Rev.	00	



Part Num.	Description	Compatibility	Modif.	Qty	Notes	Col.	Reman.
1	51826520	CONDENSER		01			
2	50512732	HOSE, COMPL		01			
3	51768288	PRESSURESTAT		1			
4	10852283	SEAL GASKET, DIAM 6,6		01			
4	10852383	SEAL GASKET, DIAM 13,87		01			
4	10877980	SEAL GASKET, 1/2"		02			
4	10877887	SEAL GASKET, 3/8"		02			
4	10878180	SEAL GASKET, 3/4" DIA 17,10		01			
5	50530838	HOSE		01			
6	50512734	HOSE	C14653	01			
6	50521504	HOSE	D14653	01			
7	14040611	NUT, M6		03			
8	14189071	BRACKET		01			
9	811900004	SCREW, M6X1X20		02			
9	13835814	SCREW, M6X10		01			
9	18750524	SCREW, M6X10		01			
9	811900015	SCREW, M8X30		01			
10	50512103	BRACKET		01			
11	15699801	SCREW		07			

Legend	
025	AIR CONDITIONER 1
140	CLIMATE CONTROL 2
170HP	POWER:1.4 FIRE 16V TURBO MULTIAIR 170HP EURO 5
135HP	POWER:1.4 FIRE 16V TURBO MULTIAIR 135 HP EURO 5
14653	NEW COMPRESSOR/CONDENSER PIPE [DAT 18/02/2011]

Catalogue	MITO 2008-2011	
Category	13.1 VENTILATION AND HEATING	
Var.	04	(135HP, 170HP) + (025, 140)
Rev.	00	



Part Num.	Description	Compatibility	Modif.	Qty	Notes	Col.	Reman.
1	51815684	DUCTING, RH		01			
2	51815685	DUCTING, LH		01			
3	55701452	DUCTING, RH		01			
4	55701453	DUCTING, LH		01			
5	735266957	BUTTON		01			
6	51724242	DUCTING, LAT DS	LHD	01			
6	51760556	DUCTING, LAT DS	RHD	01			
7	51724243	DUCTING, LAT SN	LHD	01			
7	51760564	DUCTING, LAT SN	RHD	01			
8	46558583	SCREW		02			
9	60588997	BRACKET		01			

Legend	
025	AIR CONDITIONER 1
140	CLIMATE CONTROL 2
RHD	STEERING:RIGHT
LHD	STEERING:LEFT
170HP	POWER:1.4 FIRE 16V TURBO MULTIAIR 170HP EURO 5
135HP	POWER:1.4 FIRE 16V TURBO MULTIAIR 135 HP EURO 5