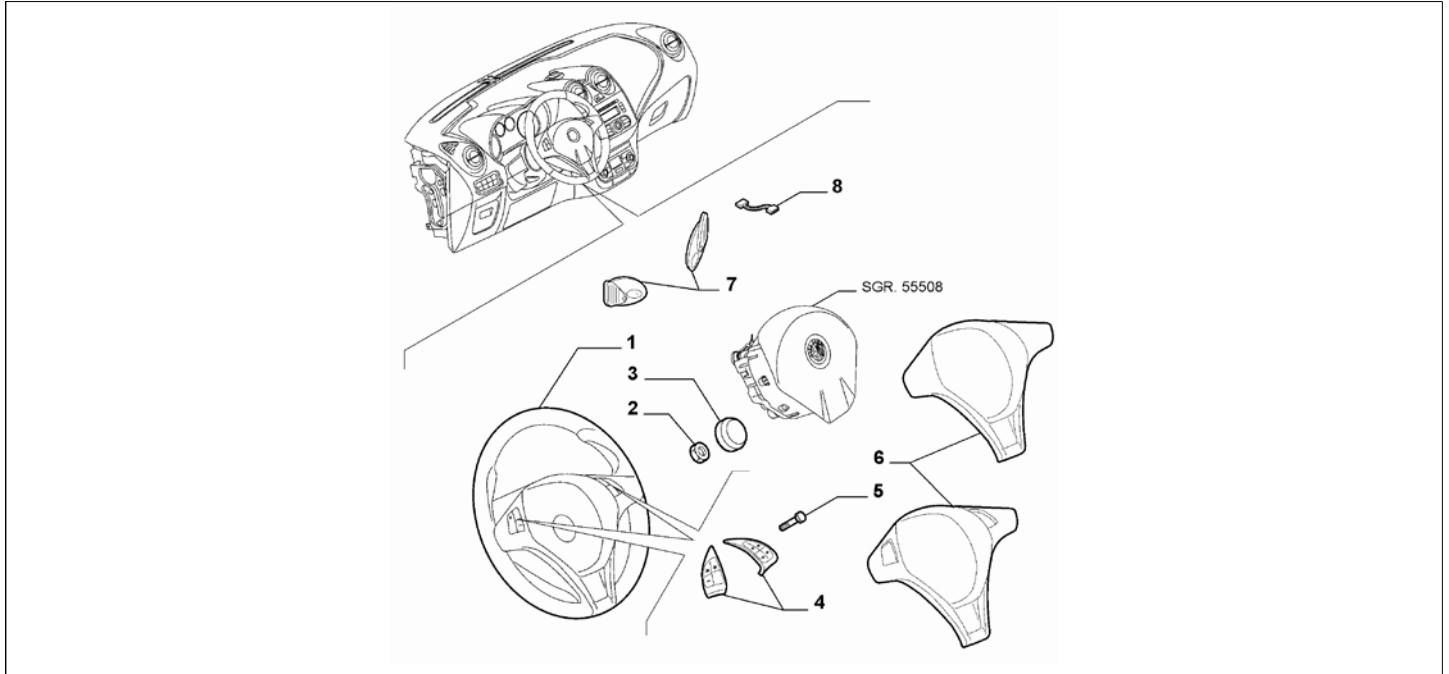


Catalogue	MITO 2008-2011	
Category	11.1 STEERING GEAR	
Var.	01	LHD
Rev.	00	

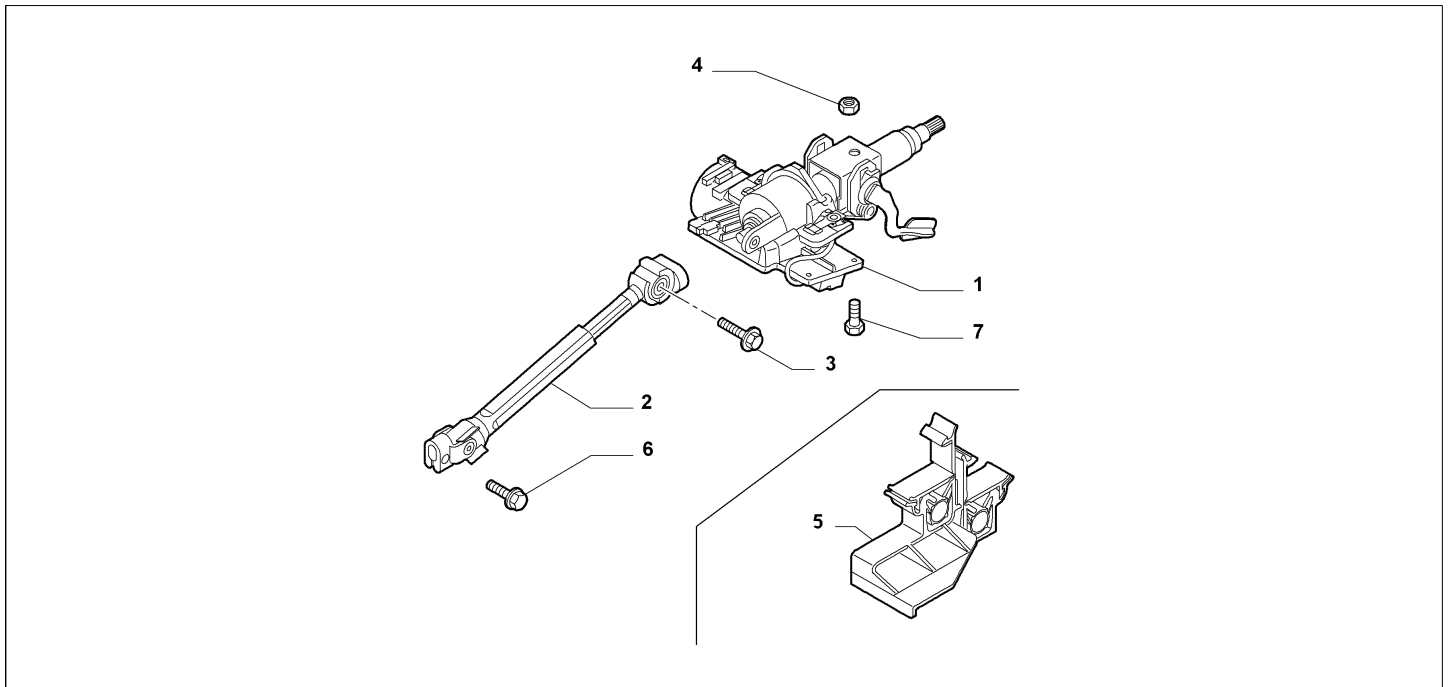


Part Num.	Description	Compatibility	Modif.	Qty	Notes	Col.	Reman.
1	71753934	STEERING WHEEL	I320	01			
1	71753838	STEERING WHEEL	320, 320+245, 320+709	01			
1	71753935	STEERING WHEEL	TCT, 320+5BH, 320+5BH+245, 320+5BH+709	01			
1	71753838	STEERING WHEEL	5EP	1			
2	46411890	NUT		01			
3	51711723	BOOT		01			
4	71754893	SWITCH PANEL, 3+3 FUNZIONI	41A	01	TITANIUM BEZEL		
4	71754872	SWITCH PANEL, 3+3 FUNZIONI	TCT, 5BH+245	01	TITANIUM BEZEL		
4	71775504	SWITCH PANEL, 3+3 FUNZIONI	5EP+245	01	BLACK BEZEL		
4	71775543	SWITCH PANEL, 4+4 FUNZIONI	4J3, 55Y	01	TITANIUM BEZEL		
4	71775544	SWITCH PANEL, 4+4 FUNZIONI	TCT, 5BH+709	01	TITANIUM BEZEL		
4	71775545	SWITCH PANEL, 4+4 FUNZIONI	5EP+709	01	BLACK BEZEL		
5	71753941	SCREW		01			
6	71753939	ORNAMENT, BLIND	I245+1709	01	GLOSSY TITANIUM		
6	71773096	REPAIR KIT, PERFORATED	245, 709	01	TITAN TECH		
6	71753946	ORNAMENT, BLIND	I245+1709	01	BLACK		
6	71753947	ORNAMENT, PERFORATED	245, 709	01	BLACK		
6	71753946	ORNAMENT, BLIND	5EP+(245, 709)	01	BLACK		
6	71753947	ORNAMENT, PERFORATED	5EP+(245, 709)	01	BLACK		
7	71771600	LEVER ASSY	TCT	1			
8	71753942	ELECTRIC CABLE	TCT	1			

Legend	
TCT	SPECIFIC GEARBOX
245	STEERING WHEEL CONTROLS

320	LEATHER STEERING WHEEL AND GEAR LEVER KNOB
41A	CD RADIO WITH MP3 PLAYER
4J3	CONVERGENCE C1 WITH MEDIA PLAYER JACK
55Y	CONVERGENCE C3
5BH	STEERING WHEEL CONTROLS 2
5EP	SPECIFIC TRIMS 2
709	PHONE/RADIO CONTROLS ON THE STEERING WHEEL
LHD	STEERING:LEFT

Catalogue	MITO 2008-2011	
Category	11.1 STEERING GEAR	
Var.	02	LHD
Rev.	00	

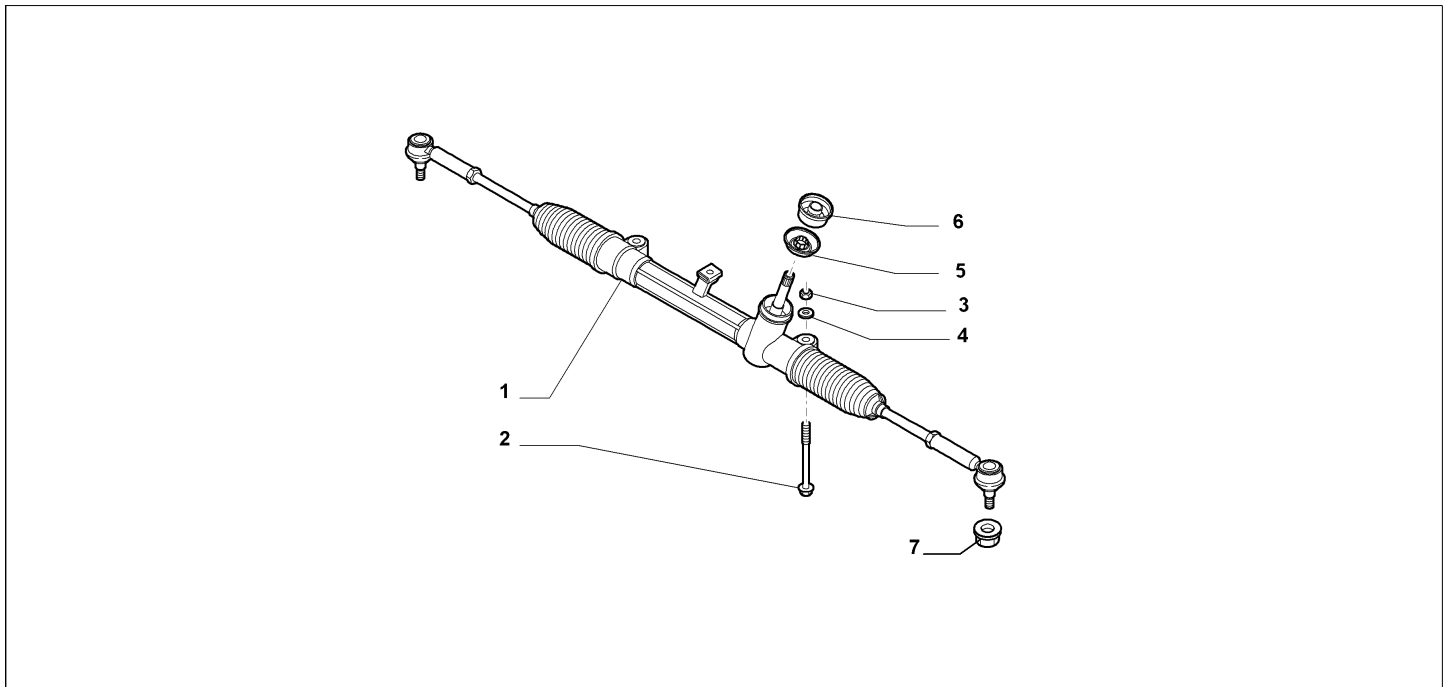


Part Num.	Description	Compatibility	Modif.	Qty	Notes	Col.	Reman.
1	50508599	ELECTRIC POWER STEERING SHAFT	392	C13210	01		
1	50516919	ELECTRIC POWER STEERING SHAFT	392	D13210, C13384	01		
1	50517524	ELECTRIC POWER STEERING SHAFT	392	D13384, C13493	01		
1	50518131	ELECTRIC POWER STEERING SHAFT	392	D13493, C13886	01		
1	50518378	ELECTRIC POWER STEERING SHAFT, POWER STEERING SHAFT	392	D13886	01		
1	50513049	ELECTRIC POWER STEERING SHAFT	009	C13210	01		
1	50516921	ELECTRIC POWER STEERING SHAFT	009	D13210, C13384	01		
1	50517539	ELECTRIC POWER STEERING SHAFT	009	D13384, C13770	01		
1	50518133	ELECTRIC POWER STEERING SHAFT	009+011+1392	D13770	01		
2	51831004	SHAFT			01		
3	51705407	SCREW, M8X30			01		
4	13046211	NUT			02		
5	55187370	CLIP	78HP, 105HP		01		
5	55184775	CLIP	155HP, 135HP, 1.6D		01		
6	46826721	SCREW, M10X35			01		
7	811900172	SCREW, M8X16			02		

Legend	
009	ABS
011	STEERING WHEEL ADJUSTMENT
392	VEHICLE DYNAMIC CONTROL (VDC)
1.6D	HORSE POWER (MARKET):1598

LHD	STEERING:LEFT
155HP	POWER:1.4 FIRE 16V TURBO 155HP (EURO 5)
78HP	POWER:1.4 FIRE 16V 78HP EURO5
105HP	POWER:1.4 FIRE 16V MULTIAIR 105HP (EURO 5)
135HP	POWER:1.4 FIRE 16V TURBO MULTIAIR 135 HP EURO 5
13210	NEW ELECTRIC STEERING SHAFTS [DAT 15/12/2008]
13384	NEW UPPER STEERING SHAFT [DAT 15/01/2009, TEL 1022848]
13493	NEW ELECTRIC STEERING SHAFT [DAT 15/03/2009]
13770	NEW STEERING SHAFTS [DAT 15/06/2009]
13886	NEW STEERING SHAFT [DAT 13/11/2009]

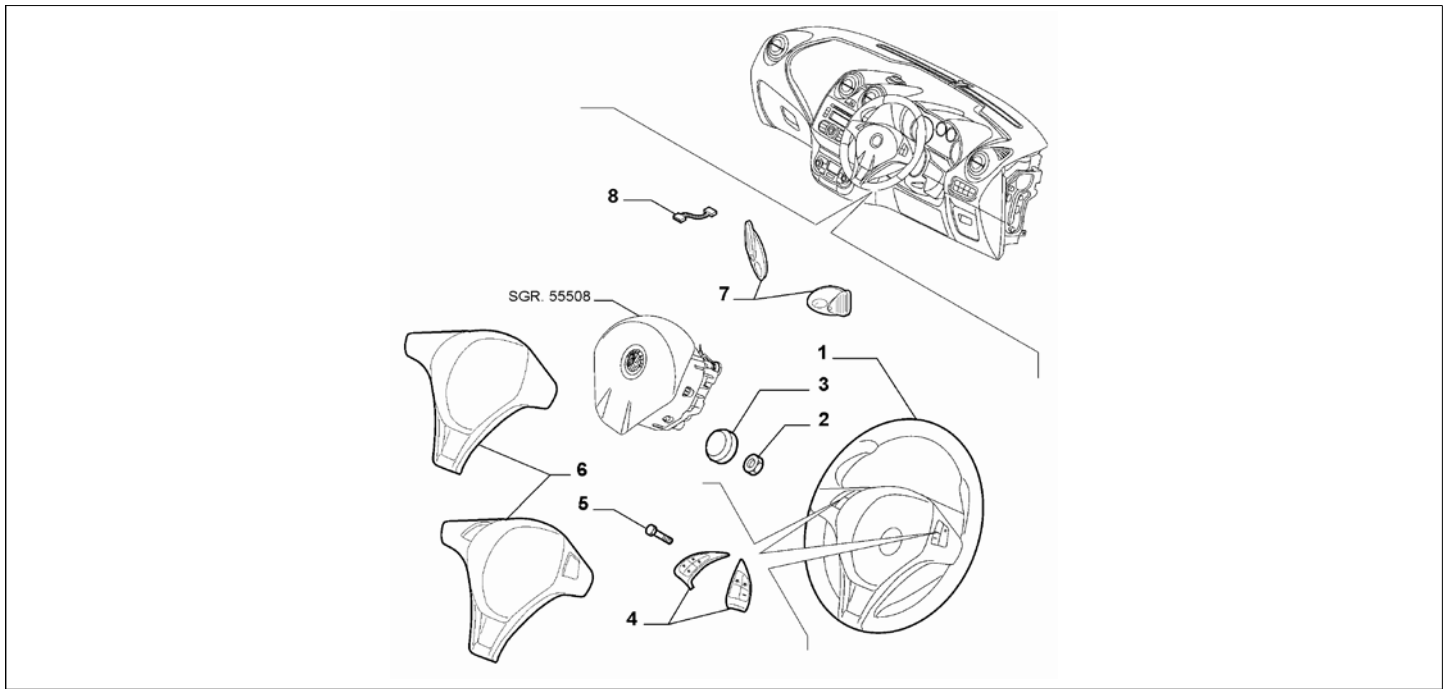
Catalogue	MITO 2008-2011	
Category	11.1 STEERING GEAR	
Var.	03	LHD
Rev.	00	



Part Num.	Description	Compatibility	Modif.	Qty	Notes	Col.	Reman.
1	51822495 STEERING BOX		C12970	01	ONLY PARTS ARE SUPPLIED		
1	51849061 STEERING BOX		D12970, C14180	01	ONLY PARTS ARE SUPPLIED		
1	51861100 STEERING BOX		D14180	01	ONLY PARTS ARE SUPPLIED		
2	51782611 SCREW, M12X1,75X175			02			
3	811900442 NUT, M12X1,75			02			
4	14496721 PLANE WASHER			02			
5	51804871 PLUG			01			
6	51804870 CUP			01			
7	51736814 NUT, M10X1,5			02			

Legend	
LHD	STEERING:LEFT
12970	NEW STEERING BOXES WITH MODIFIED SPRING [DAT 15/12/2008]
14180	NEW STEERING GEAR [DAT 07/12/2009]

Catalogue	MITO 2008-2011	
Category	11.1 STEERING GEAR	
Var.	01	RHD
Rev.	00	

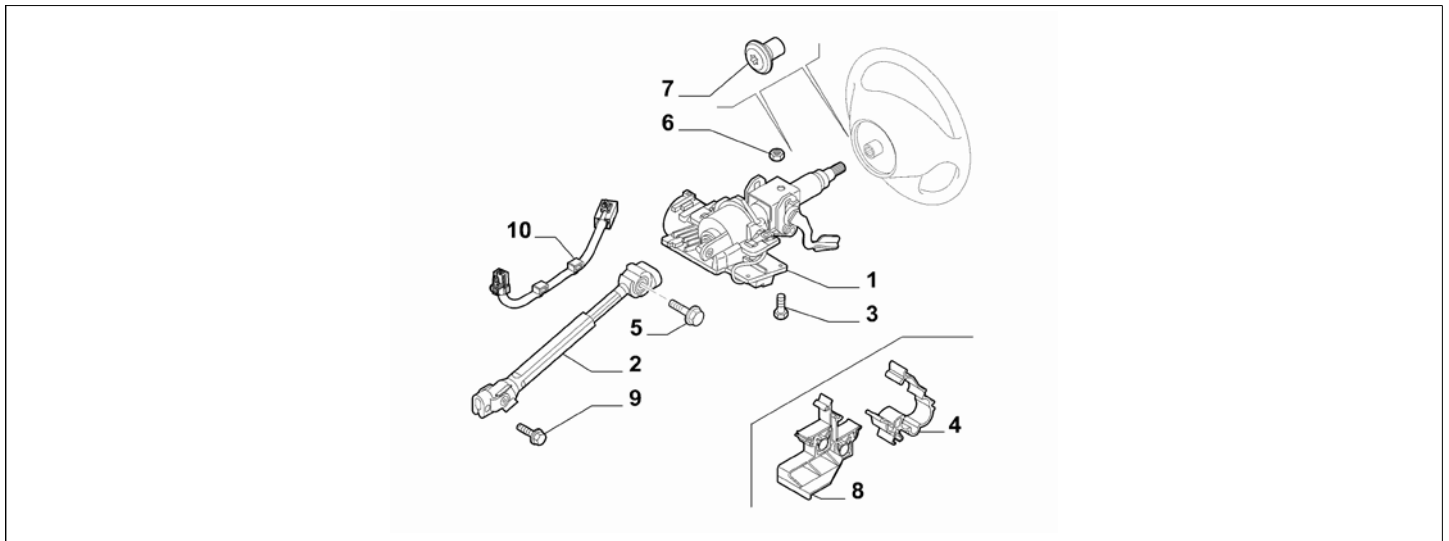


Part Num.	Description	Compatibility	Modif.	Qty	Notes	Col.	Reman.
1	71753934	STEERING WHEEL	I320		01		
1	71753838	STEERING WHEEL	320		01		
1	71753935	STEERING WHEEL	TCT		01		
1	71753838	STEERING WHEEL	5EP		01		
2	46411890	NUT			01		
3	51711723	BOOT			01		
4	71754893	SWITCH PANEL, 3+3 FUNZIONI	41A		01		
4	71754872	SWITCH PANEL, 3+3 FUNZIONI	TCT		01		
4	71775504	SWITCH PANEL, 3+3 FUNZIONI	5EP+245		01		
4	71775543	SWITCH PANEL, 4+4 FUNZIONI	4J3, 55Y		01		
4	71771600	LEVER ASSY, 4+4 FUNZIONI	TCT		01		
4	71775545	SWITCH PANEL, 4+4 FUNZIONI	5EP+709		01		
5	71753941	SCREW			01		
6	71753939	ORNAMENT, BLIND	I245+1709	C14804	01	GLOSSY TITANIUM	
6	71769221	ORNAMENT, BLIND	I245+1709	D14804	01	TITAN TECH	
6	71753940	ORNAMENT, PERFORATED	245, 709	C14804	01	GLOSSY TITANIUM	
6	71769222	ORNAMENT, PERFORATED	245, 709	D14804	01	TITAN TECH	
6	71753946	ORNAMENT, BLIND	I245+1709		01	BLACK	
6	71753947	ORNAMENT, PERFORATED	245, 709		01	BLACK	
6	71753946	ORNAMENT, PERFORATED	5EP+I(245, 709)		01	BLACK	
6	71753947	ORNAMENT, PERFORATED	5EP+(245, 709)		01	BLACK	
7	71771600	LEVER ASSY	TCT		1		
8	71753942	ELECTRIC CABLE	TCT		1		

Legend	
TCT	SPECIFIC GEARBOX

245	STEERING WHEEL CONTROLS
320	LEATHER STEERING WHEEL AND GEAR LEVER KNOB
41A	CD RADIO WITH MP3 PLAYER
4J3	CONVERGENCE C1 WITH MEDIA PLAYER JACK
55Y	CONVERGENCE C3
5EP	SPECIFIC TRIMS 2
709	PHONE/RADIO CONTROLS ON THE STEERING WHEEL
RHD	STEERING:RIGHT
14804	ADOPTION OF MATT PAINTING ON PLASTIC ITEMS [DAT 15/10/2010]

Catalogue	MITO 2008-2011	
Category	11.1 STEERING GEAR	
Var.	02	RHD
Rev.	00	

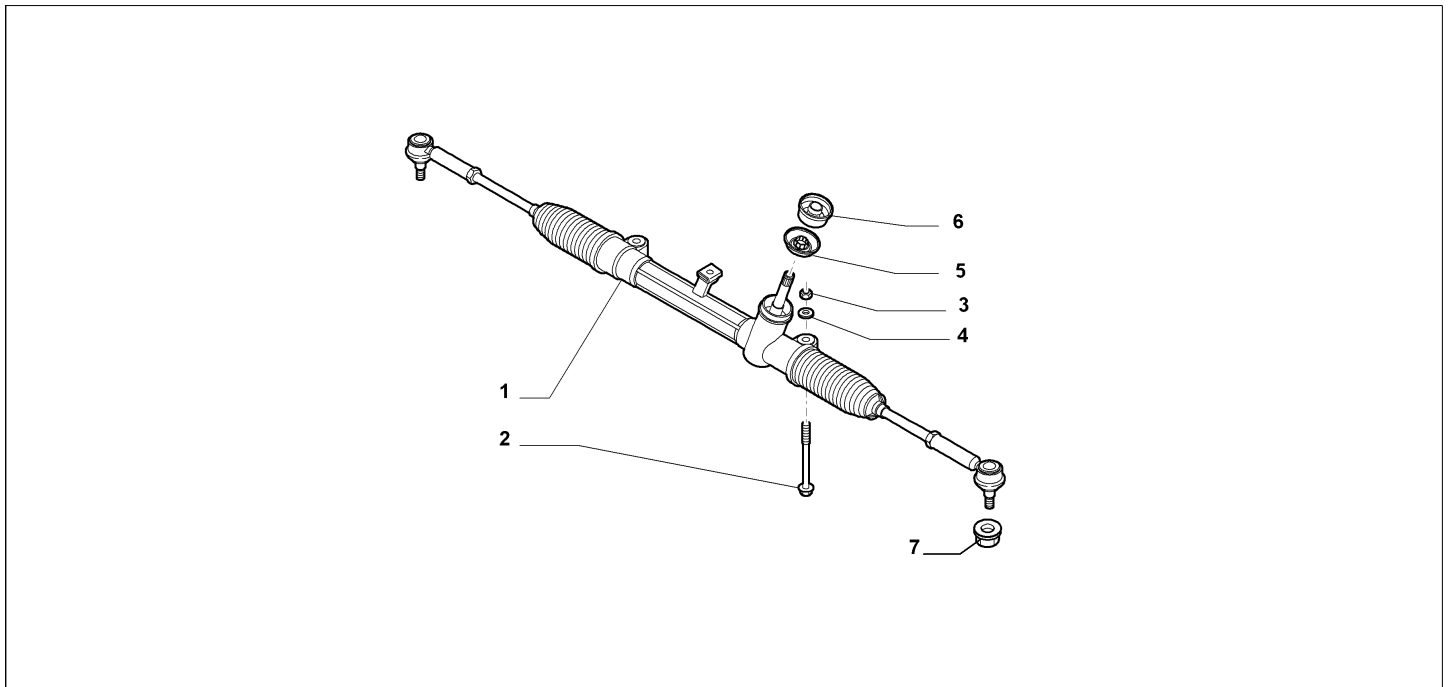


Part Num.	Description	Compatibility	Modif.	Qty	Notes	Col.	Reman.
1	50508600	ELECTRIC POWER STEERING SHAFT	392	C13210	01		
1	50516920	ELECTRIC POWER STEERING SHAFT	392	D13210, C13384	01		
1	50517538	ELECTRIC POWER STEERING SHAFT	392	D13384, C13493	01		
1	50518132	ELECTRIC POWER STEERING SHAFT	392	D13493, C13770	01		
1	50518131	ELECTRIC POWER STEERING SHAFT	392	D13770	01		
1	50513050	ELECTRIC POWER STEERING SHAFT	009	C13210	01		
1	50516922	ELECTRIC POWER STEERING SHAFT	009	D13210, C13384	01		
1	50517540	ELECTRIC POWER STEERING SHAFT	009	D13384, C13493	01		
1	50518134	ELECTRIC POWER STEERING SHAFT	009+011+!392	D13493, C13770	01		
1	50518133	ELECTRIC POWER STEERING SHAFT	009+011+!392	D13770	01		
2	51831005	SHAFT			01		
3	811900172	SCREW, M8X16			02		
4	51778843	CLIP			01		
5	51705407	SCREW, M8X30			01		
6	13046211	NUT			02		
7	51913782	SCREW			01		
8	55187370	CLIP			01		
8	55184775	CLIP			01		
8	46519177	CLIP			01		
9	46826721	SCREW, M10X35			01		
10	50518620	CABLE HARNESS			1		

Legend	
009	ABS
011	STEERING WHEEL ADJUSTMENT
392	VEHICLE DYNAMIC CONTROL (VDC)

RHD	STEERING:RIGHT
13210	NEW ELECTRIC STEERING SHAFTS [DAT 15/12/2008]
13384	NEW UPPER STEERING SHAFT [DAT 15/01/2009, TEL 1022848]
13493	NEW ELECTRIC STEERING SHAFT [DAT 15/03/2009]
13770	NEW STEERING SHAFTS [DAT 15/06/2009]

Catalogue	MITO 2008-2011	
Category	11.1 STEERING GEAR	
Var.	03	RHD
Rev.	00	



Part Num.	Description	Compatibility	Modif.	Qty	Notes	Col.	Reman.
1	51822496	STEERING BOX	C12970	01	ONLY PARTS ARE SUPPLIED		
1	51849062	STEERING BOX	D12970, C14180	01	ONLY PARTS ARE SUPPLIED		
1	51861101	STEERING BOX	D14180, C14750	01	ONLY PARTS ARE SUPPLIED		
1	50521603	STEERING BOX	D14750	1	ONLY PARTS ARE SUPPLIED		
2	51782611	SCREW, M12X1,75X175		02			
3	811900442	NUT, M12X1,75		02			
4	14496721	PLANE WASHER		02			
5	51804871	PLUG		01			
6	51804870	CUP		01			
7	51736814	NUT, M10X1,5		02			

Legend	
RHD	STEERING:RIGHT
12970	NEW STEERING BOXES WITH MODIFIED SPRING [DAT 15/12/2008]
14180	NEW STEERING GEAR [DAT 07/12/2009]
14750	NEW STEERING BOX [DAT 11/02/2011]