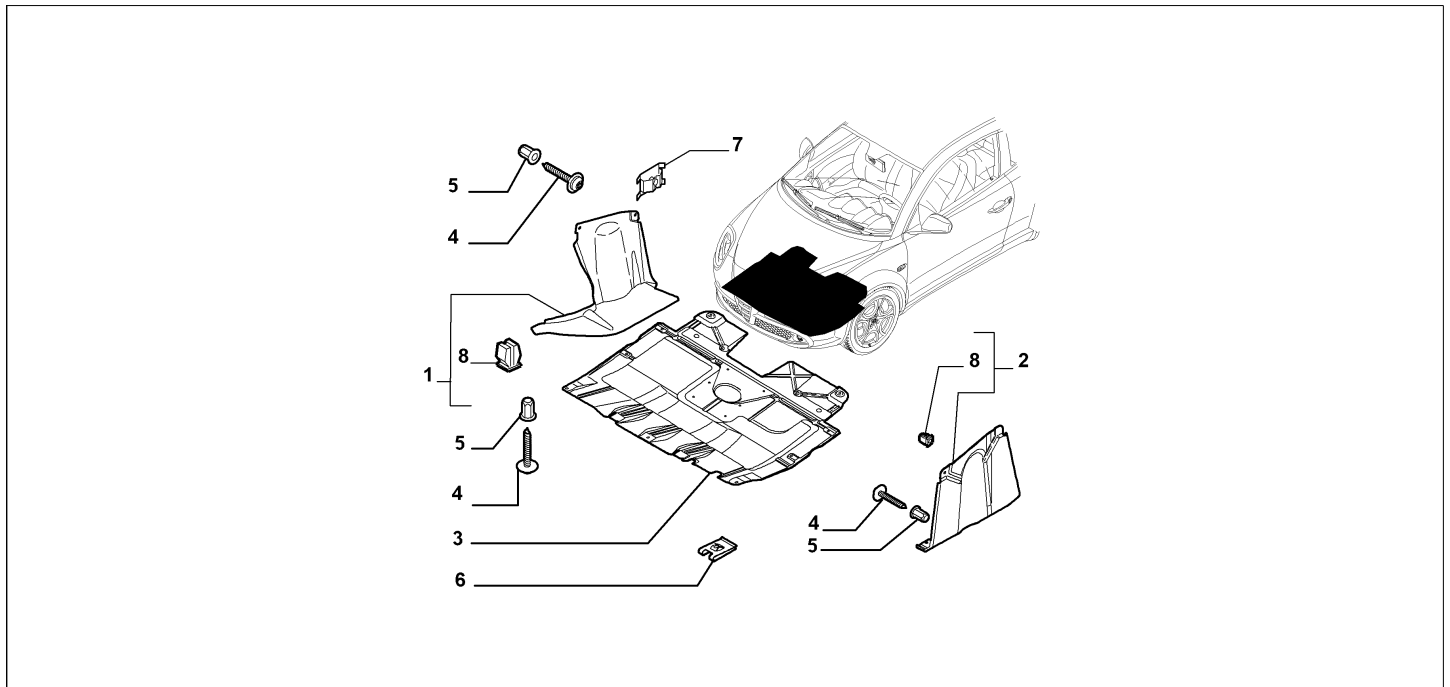


Catalogue	MITO 2008-2011	
Category	10.1 FRAME GUARDS	
Var.	01	
Rev.	00	

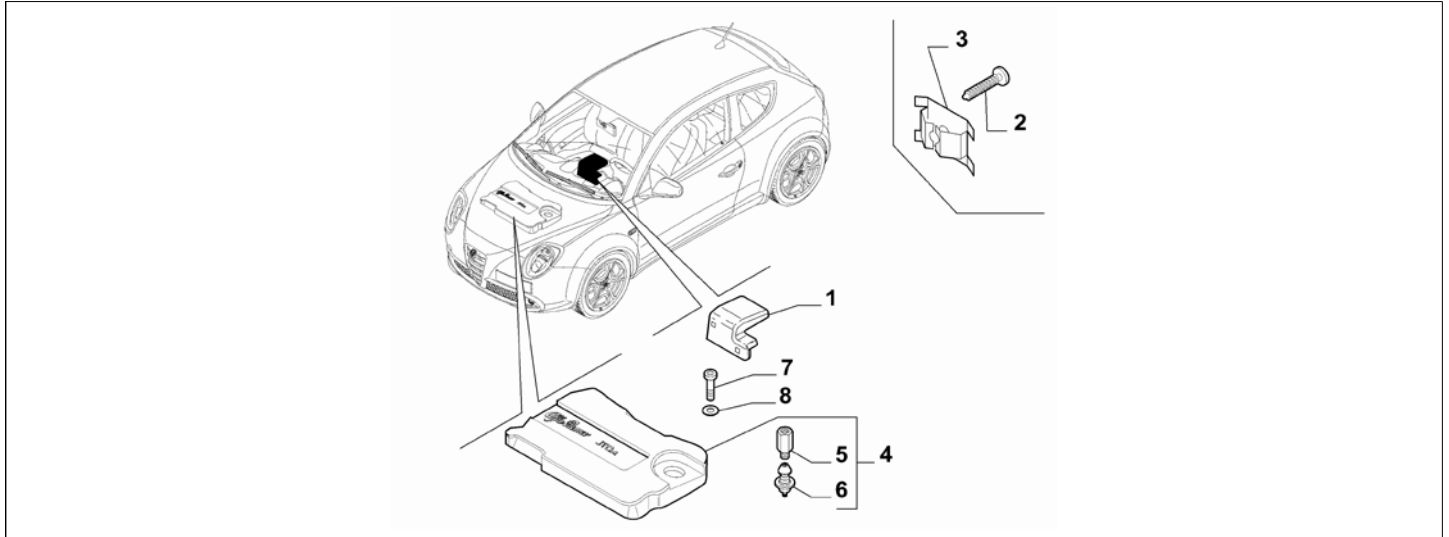


Part Num.	Description	Compatibility	Modif.	Qty	Notes	Col.	Reman.
1	51878077	PROTECTION	(1.4, 1.6D, CC1.8)+TURBO+4MJ				
1	51769756	PROTECTION	NOTURBO				
1	51754604	PROTECTION	1.3D				
2	50518166	PROTECTION					
3	51754606	PROTECTION	155HP, 1.6D		C12967		
3	51846204	PROTECTION	155HP		D12967, C13771		
3	50518226	PROTECTION	155HP		D13771		
3	51841922	PROTECTION	1.6D		D12967, C13771		
3	50518477	PROTECTION	1.6D		D13771, C14102		
3	51884869	PROTECTION	1.6D		D14102		
3	50518477	PROTECTION	135HP, 170HP				
3	50518478	PROTECTION	1.4+120HP				
3	50518478	PROTECTION	NOTURBO+129				
4	51753490	SCREW					
5	51747309	INSERT					
6	14189776	PLATE					
7	51747309	INSERT					
8	14115980	PAD	155HP, 1.6D, 1.4+120HP, 135HP, 170HP				

Legend	
129	ADAPTED FOR COLD COUNTRIES
4MJ	SPECIFIC FOR LIGHT TROPICAL MARKET
NOTURBO	(ASPIRATED/TURBO):EXHAUST FAN
TURBO	(ASPIRATED/TURBO):TURBO
1.3D	HORSE POWER (MARKET):1.3
1.4	HORSE POWER (MARKET):1370
1.6D	HORSE POWER (MARKET):1598

CC1.8	HORSE POWER (MARKET):1790
155HP	POWER:1.4 FIRE 16V TURBO 155HP (EURO 5)
170HP	POWER:1.4 FIRE 16V TURBO MULTIAIR 170HP EURO 5
120HP	POWER:120HP
135HP	POWER:1.4 FIRE 16V TURBO MULTIAIR 135 HP EURO 5
12967	new under-engine guard [DAT 15/08/2008, VET 0004714]
13771	new under-engine guard [DAT 15/10/2009]
14102	NEW UNDERENGINE COVER FOR 1.6 ENGINE [DAT 16/04/2010]

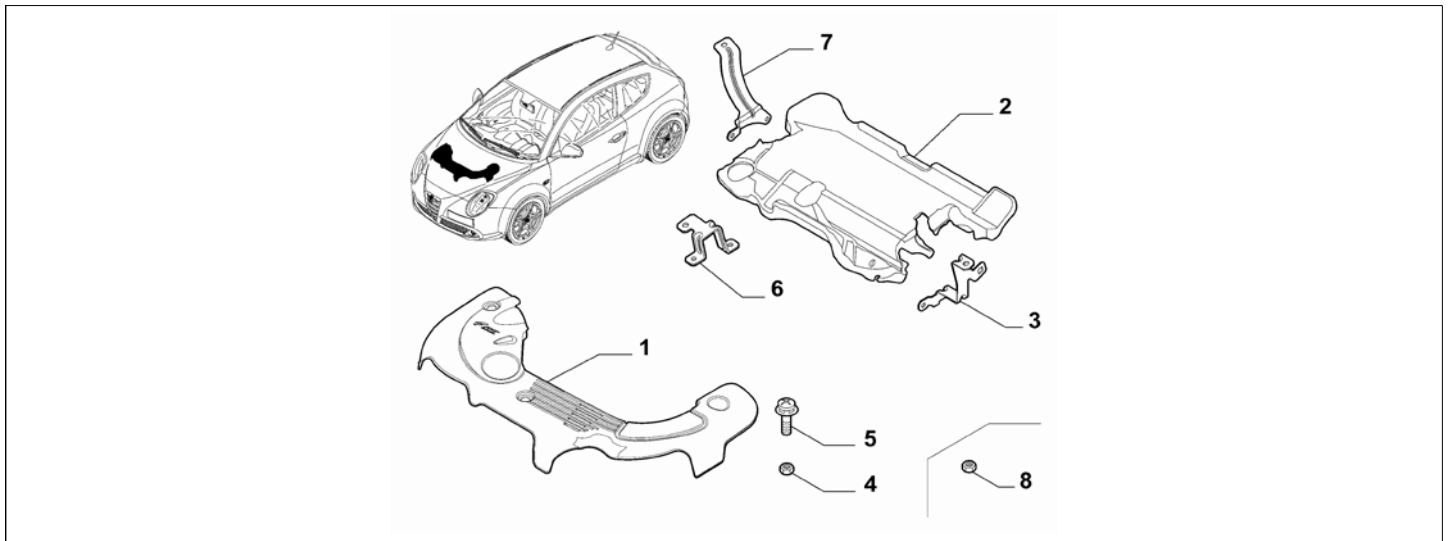
Catalogue	MITO 2008-2011	
Category	10.1 FRAME GUARDS	
Var.	01	1.4, 1.3D + EURO4, 1.6D
Rev.	00	



Part Num.	Description	Compatibility	Modif.	Qty	Notes	Col.	Reman.
1	735410637	PROTECTION, RH		01			
1	735410638	PROTECTION, LH		01			
2	46555555	SCREW		02			
3	7770156	BRACKET		02			
4	51825916	COVER	1.6D	01			
4	55221120	COVER	78HP, 105HP	C12800	01		
4	51863976	COVER	78HP, 105HP	D12800	01		
4	55224056	COVER	1.4+120HP	C14252	01		
4	50521609	COVER	1.4+120HP	D14252	01		
4	55216656	COVER	155HP	C14252	01		
4	46338673	COVER	155HP	D14252	01		
4	51864157	COVER	135HP, 170HP		01		
5	51727892	SPACER	135HP, 170HP		01		
6	51772190	PIN	135HP, 170HP		01		
7	16286324	SCREW, M6X30	1.4+(120HP, 155HP)		01		
8	12648924	PLANE WASHER, M6X25	1.4+(120HP, 155HP)		01		

Legend	
1.3D	HORSE POWER (MARKET):1.3
1.4	HORSE POWER (MARKET):1370
1.6D	HORSE POWER (MARKET):1598
EURO4	ECOLOGY:EEC LIM. STAGE 4
155HP	POWER:1.4 FIRE 16V TURBO 155HP (EURO 5)
170HP	POWER:1.4 FIRE 16V TURBO MULTIAIR 170HP EURO 5
78HP	POWER:1.4 FIRE 16V 78HP EURO5
105HP	POWER:1.4 FIRE 16V MULTIAIR 105HP (EURO 5)
120HP	POWER:120HP
135HP	POWER:1.4 FIRE 16V TURBO MULTIAIR 135 HP EURO 5
12800	NEW AESTHETIC PROTECTION [DAT 15/07/2009]
14252	New esthetic guards [DAT 11/06/2010]

Catalogue	MITO 2008-2011	
Category	10.1 FRAME GUARDS	
Var.	01	1.3D + EURO5
Rev.	00	



Part Num.	Description	Compatibility	Modif.	Qty	Notes	Col.	Reman.
1	51867102 COVER			1			
2	51867100 PROTECTION			1			
3	51870507 BRACKET			1			
4	14059211 NUT			1			
5	82485531 SCREW AND WASHER ASSY			3			
6	51870505 BRACKET			1			
7	51870506 BRACKET			1			
8	51876079 NUT			2			

Legend	
1.3D	HORSE POWER (MARKET):1.3
EURO5	ECOLOGY:LIM.ECC PHASE 5