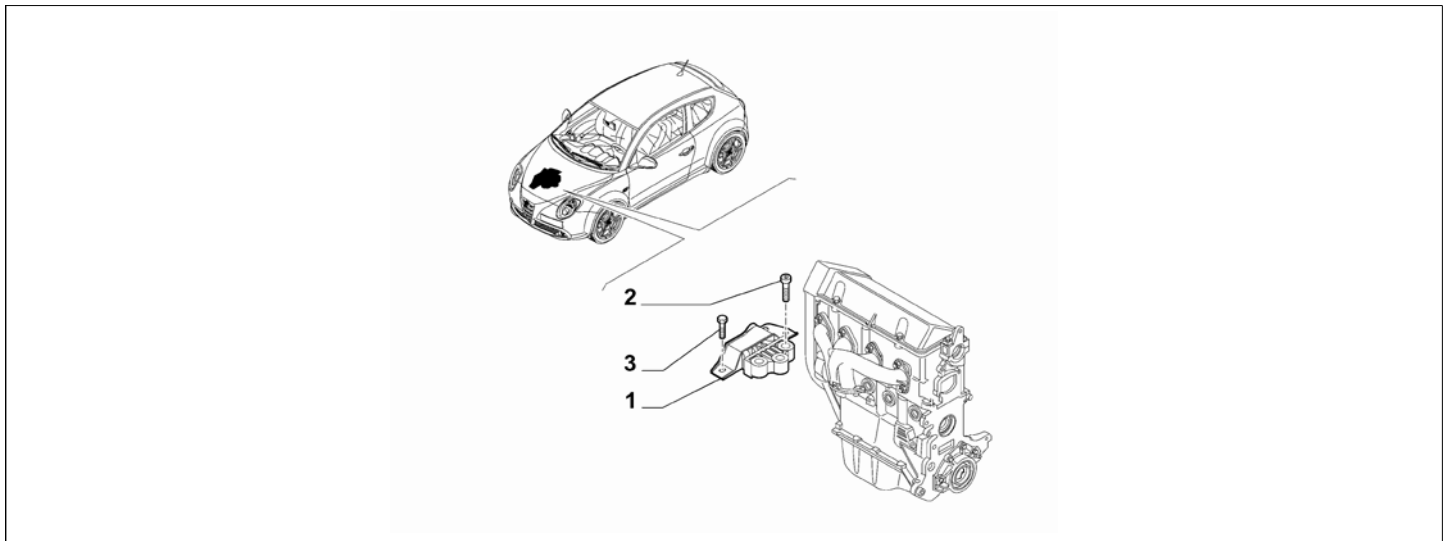


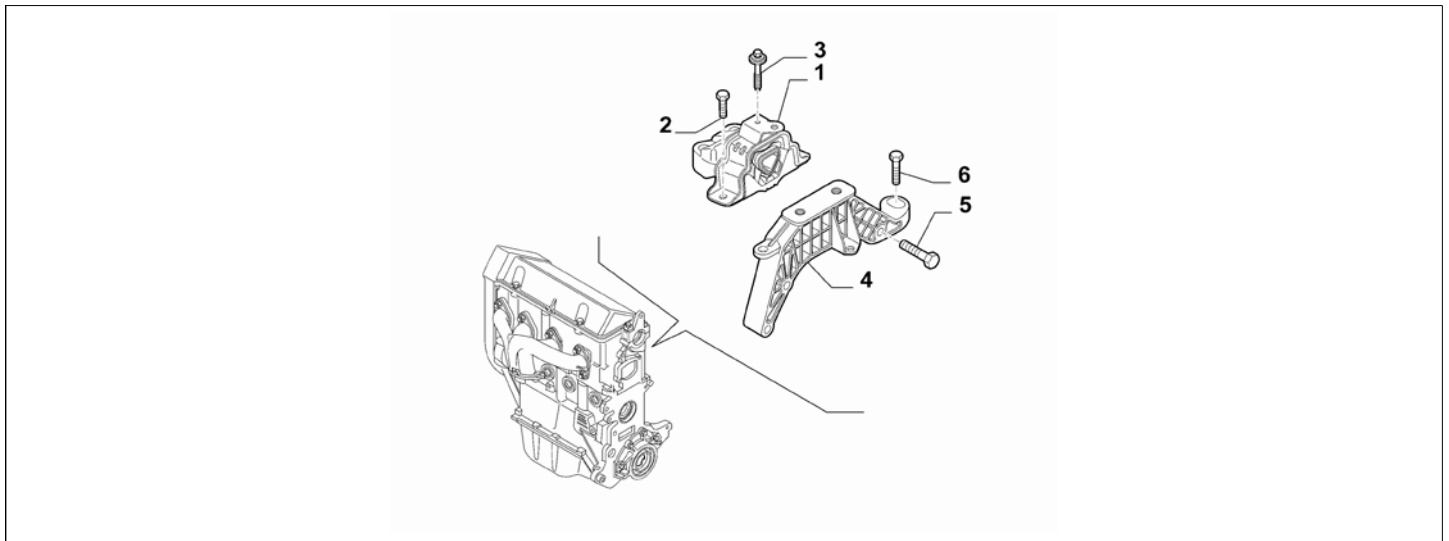
Catalogue	MITO 2008-2011	
Category	1.2 POWER PLANT MOUNTS	
Var.	01	PETROL + NOTURBO
Rev.	00	



Part Num.	Description	Compatibility	Modif.	Qty	Notes	Col.	Reman.
1	51838808 PAD	1.4+105HP	C14085	1			
1	51816525 PAD	1.4+105HP	D14085	1			
1	51816525 PAD	1.4+78HP		1			
2	55701882 SCREW, M10X1,5X55			03			
3	811900027 SCREW, M10X1,5X30			03			

Legend	
NOTURBO	(ASPIRATED/TURBO):EXHAUST FAN
1.4	HORSE POWER (MARKET):1370
PETROL	FUEL:PETROL
78HP	POWER:1.4 FIRE 16V 78HP EURO5
105HP	POWER:1.4 FIRE 16V MULTIAIR 105HP (EURO 5)
14085	STANDARDIZATION OF FLEXIBLE MOUNTINGS [DAT 22/10/2009]

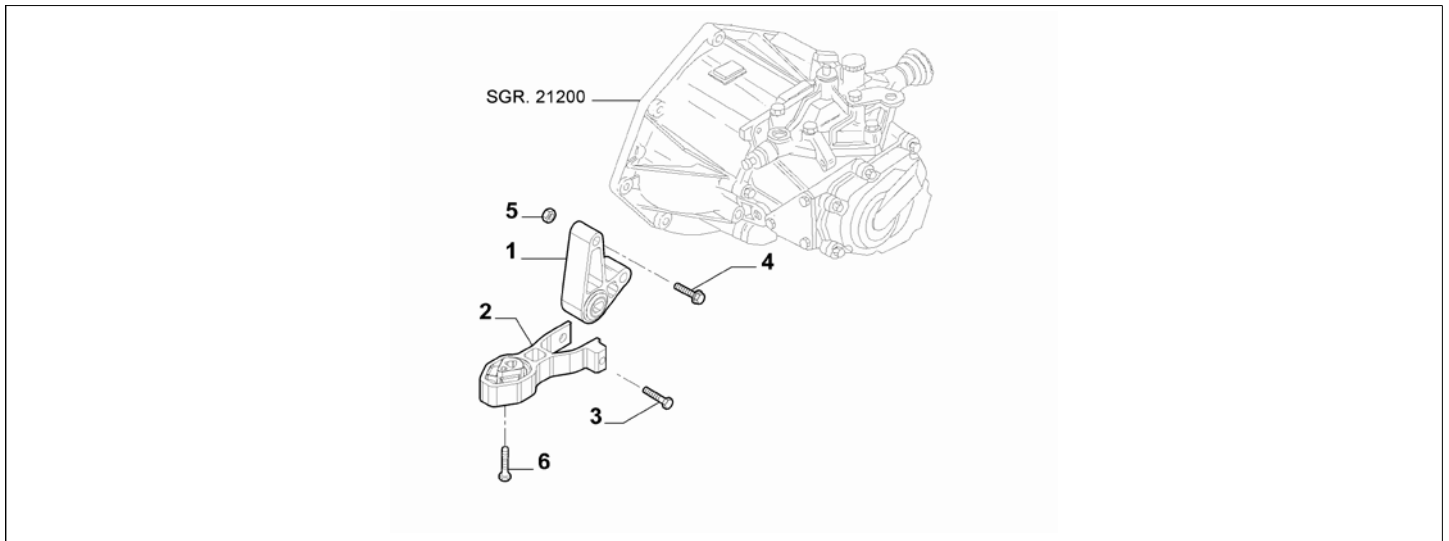
Catalogue	MITO 2008-2011	
Category	1.2 POWER PLANT MOUNTS	
Var.	02	PETROL + NOTURBO
Rev.	00	



Part Num.	Description	Compatibility	Modif.	Qty	Notes	Col.	Reman.
1	55700434 PAD	78HP		1			
1	50518779 PAD	105HP		1			
2	811900042 SCREW, M12X1,75X40			2			
3	55701882 SCREW, M10X1,5X55			3			
4	55700437 SUPPORT			1			
5	51794076 SCREW, M10X1,25X60			1			
6	811900014 SCREW, M8X30			1			

Legend	
NOTURBO	(ASPIRATED/TURBO):EXHAUST FAN
PETROL	FUEL:PETROL
78HP	POWER:1.4 FIRE 16V 78HP EURO5
105HP	POWER:1.4 FIRE 16V MULTIAIR 105HP (EURO 5)

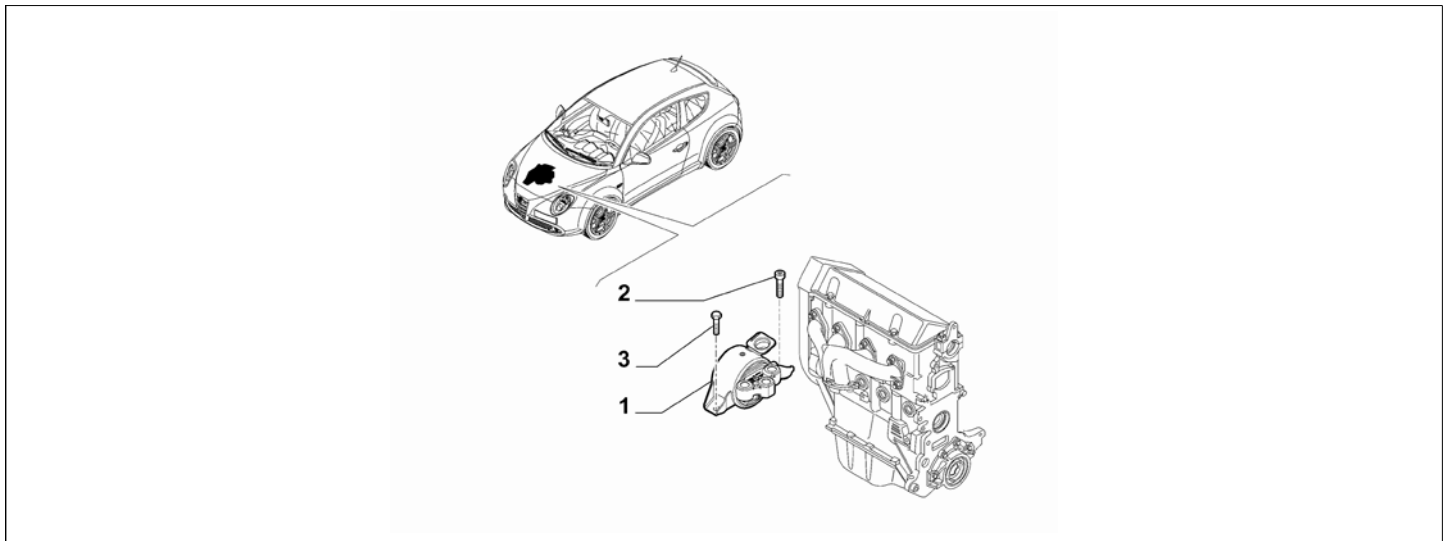
Catalogue	MITO 2008-2011	
Category	1.2 POWER PLANT MOUNTS	
Var.	03	PETROL + NOTURBO
Rev.	00	



Part Num.	Description	Compatibility	Modif.	Qty	Notes	Col.	Reman.
1	55700439 SUPPORT			01			
2	55700441 ROD			1			
3	55701888 SCREW AND WASHER ASSY, M12X1,75X80			01			
3	811900028 SCREW, M10X1,5X35			01			
3	55701891 SCREW, M12X1,75X29,5			01			
4	811900048 SCREW, M12X1,75X90			02			
5	811900442 NUT, M12X1,75			02			
6	55701888 SCREW AND WASHER ASSY, M12X1,75X80			01			

Legend	
NOTURBO	(ASPIRATED/TURBO):EXHAUST FAN
PETROL	FUEL:PETROL

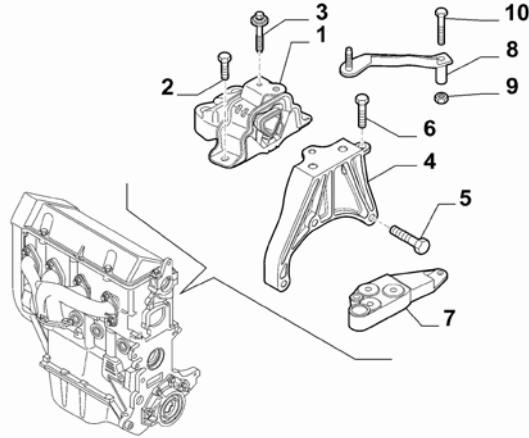
Catalogue	MITO 2008-2011	
Category	1.2 POWER PLANT MOUNTS	
Var.	01	PETROL + TURBO + !PCC635
Rev.	00	



Part Num.	Description	Compatibility	Modif.	Qty	Notes	Col.	Reman.
1	51813198 PAD	135HP+ITCT, 120HP, 155HP		1			
2	55701882 SCREW, M10X1,5X55			03			
3	811900027 SCREW, M10X1,5X30			03			

Legend	
TCT	SPECIFIC GEARBOX
TURBO	(ASPIRATED/TURBO):TURBO
PETROL	FUEL:PETROL
155HP	POWER:1.4 FIRE 16V TURBO 155HP (EURO 5)
120HP	POWER:120HP
135HP	POWER:1.4 FIRE 16V TURBO MULTIAIR 135 HP EURO 5
PCC635	GEARBOX DESIGN:GEARBOX 35 KGM

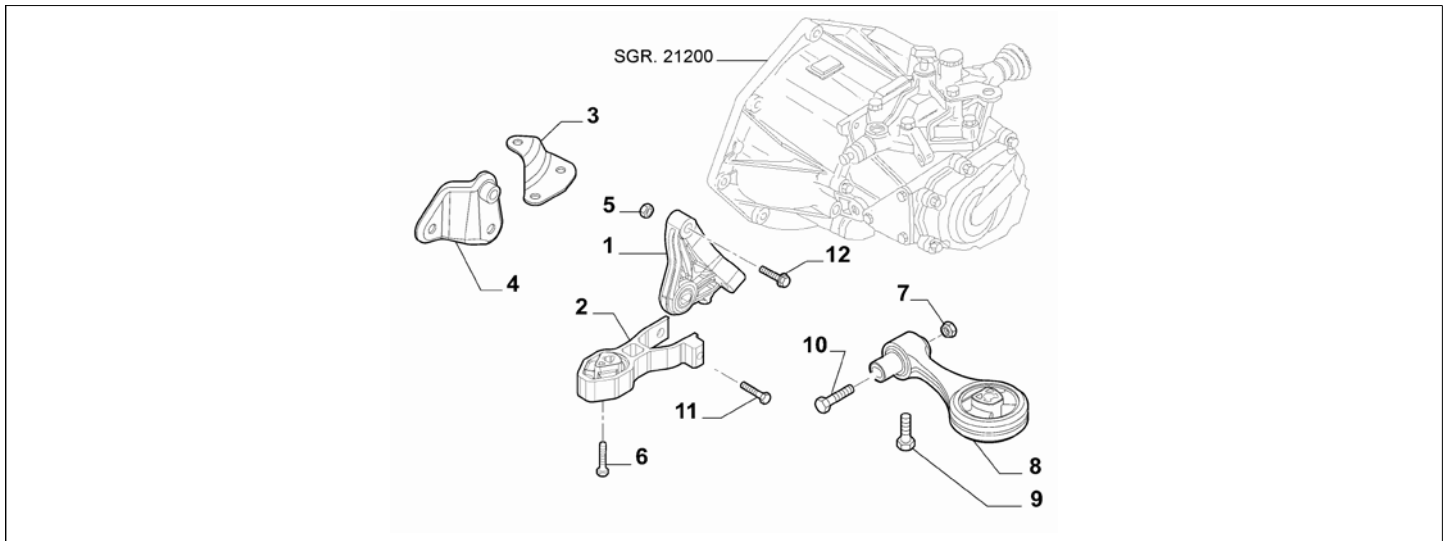
Catalogue	MITO 2008-2011	
Category	1.2 POWER PLANT MOUNTS	
Var.	02	PETROL + TURBO + !PCC635
Rev.	00	



Part Num.	Description	Compatibility	Modif.	Qty	Notes	Col.	Reman.
1	55702833	PAD	120HP	1			
1	51838875	PAD	135HP+PCC510	C14086	1		
1	50518779	PAD	135HP+PCC510	D14086	1		
1	55700655	PAD	PCC544		1		
2	811900042	SCREW, M12X1,75X40			2		
3	55701882	SCREW, M12X1,75X55			3		
4	51843101	SUPPORT	1.4+120HP		1		
4	51838886	SUPPORT	135HP+PCC510		1		
5	51794076	SCREW, M10X1,25X60			3		
6	55701885	SCREW, M12X1,75X70			2		
7	55700438	SUPPORT	PCC544		1		
8	55702838	BRACKET	1.4+120HP		1		
8	51838889	BRACKET	135HP+PCC510		1		
9	12578211	NUT			01		
10	16287521	SCREW			01		

Legend	
TURBO	(ASPIRATED/TURBO):TURBO
1.4	HORSE POWER (MARKET):1370
PETROL	FUEL:PETROL
120HP	POWER:120HP
135HP	POWER:1.4 FIRE 16V TURBO MULTIAIR 135 HP EURO 5
PCC510	GEARBOX DESIGN:GEARBOX
PCC544	GEARBOX DESIGN:GEARBOX 20/28 KGM (M20/M28 3H)
PCC635	GEARBOX DESIGN:GEARBOX 35 KGM
14086	NEW SUPPORTS TO IMPROVE DRIVEABILITY [DAT 04/02/2010]

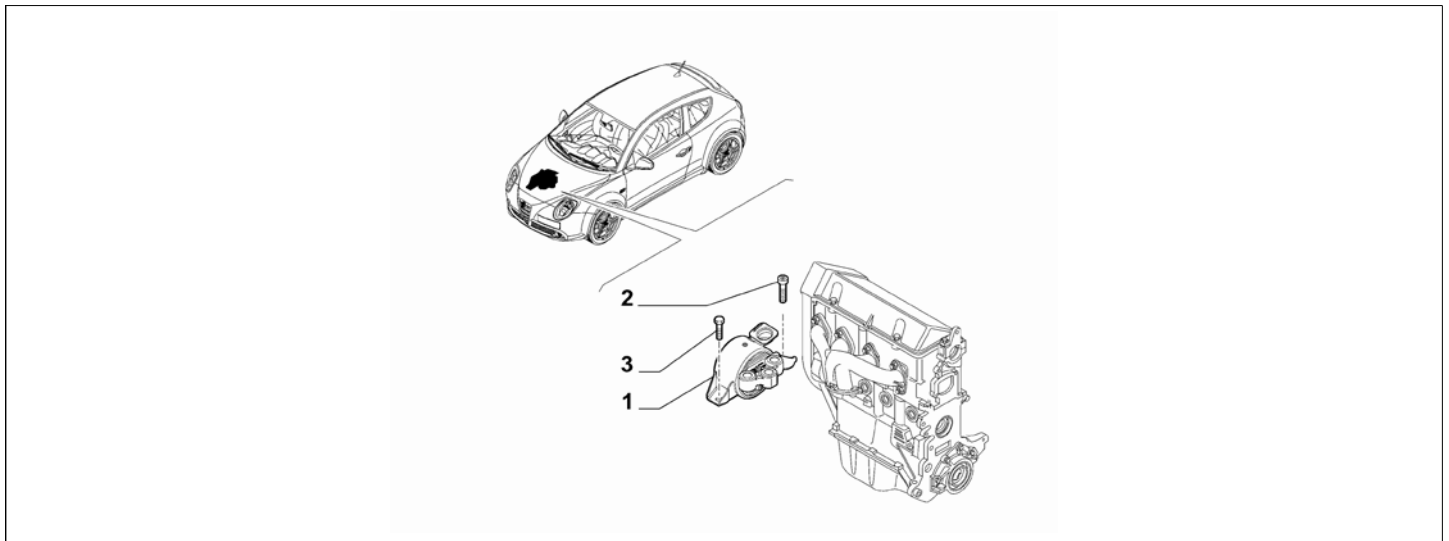
Catalogue	MITO 2008-2011	
Category	1.2 POWER PLANT MOUNTS	
Var.	03	PETROL + TURBO + !PCC635
Rev.	00	



Part Num.	Description	Compatibility	Modif.	Qty	Notes	Col.	Reman.
1	55700657 SUPPORT	1.4+PCC544		1			
2	50510781 SUPPORT	PCC544		1			
3	51794077 SUPPORT	1.4+120HP		1			
4	51838891 SUPPORT	135HP+PCC510		1			
5	811900442 NUT, M12X1,75			02			
6	55701888 SCREW AND WASHER ASSY, M12X1,75X80			01			
7	811900442 NUT, M12X1,75			02			
8	51794078 ROD	PCC510		1			
9	46814640 SCREW	1.4+120HP		02			
10	51794079 SCREW, M12X1,75			01			
11	55701888 SCREW AND WASHER ASSY, M12X1,75X80			01			
11	811900028 SCREW, M10X1,5X35			01			
11	55701891 SCREW, M12X1,75X29,5			01			
12	811900048 SCREW, M12X1,75X90			02			

Legend	
TURBO	(ASPIRATED/TURBO):TURBO
1.4	HORSE POWER (MARKET):1370
PETROL	FUEL:PETROL
120HP	POWER:120HP
135HP	POWER:1.4 FIRE 16V TURBO MULTIAIR 135 HP EURO 5
PCC510	GEARBOX DESIGN:GEARBOX
PCC544	GEARBOX DESIGN:GEARBOX 20/28 KGM (M20/M28 3H)
PCC635	GEARBOX DESIGN:GEARBOX 35 KGM

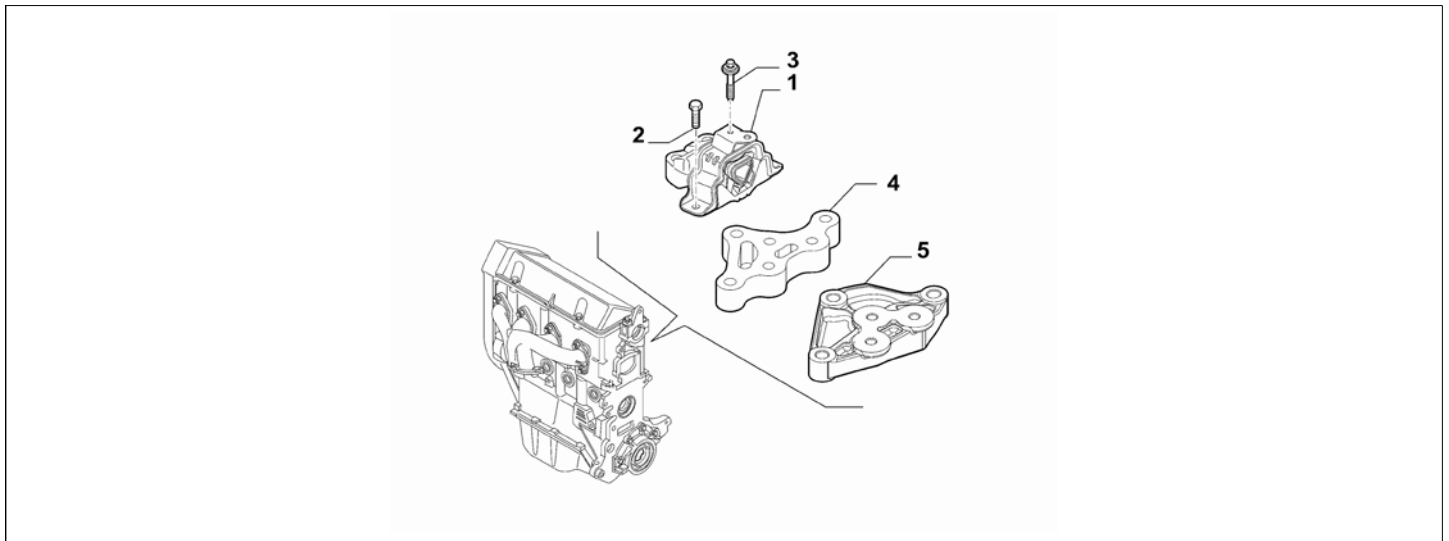
Catalogue	MITO 2008-2011	
Category	1.2 POWER PLANT MOUNTS	
Var.	01	PETROL + TURBO + PCC635
Rev.	00	



Part Num.	Description	Compatibility	Modif.	Qty	Notes	Col.	Reman.
1	50515482 PAD	135HP+TCT		1			
1	51813198 PAD	170HP		1			
2	55701882 SCREW, M10X1,5X55			03			
3	811900027 SCREW, M10X1,5X30			03			

Legend	
TCT	SPECIFIC GEARBOX
TURBO	(ASPIRATED/TURBO):TURBO
PETROL	FUEL:PETROL
170HP	POWER:1.4 FIRE 16V TURBO MULTIAIR 170HP EURO 5
135HP	POWER:1.4 FIRE 16V TURBO MULTIAIR 135 HP EURO 5
PCC635	GEARBOX DESIGN:GEARBOX 35 KGM

Catalogue	MITO 2008-2011	
Category	1.2 POWER PLANT MOUNTS	
Var.	02	PETROL + TURBO + PCC635
Rev.	00	

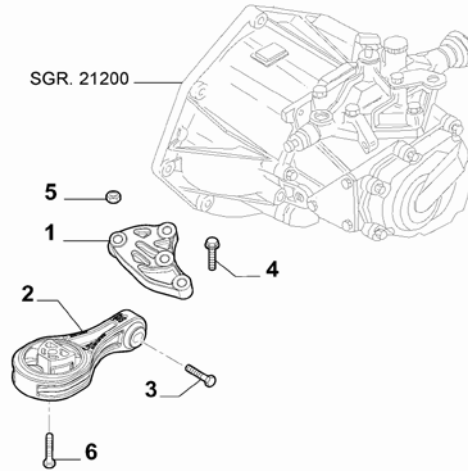


Part Num.	Description	Compatibility	Modif.	Qty	Notes	Col.	Reman.
1	50515483 PAD			1			
2	811900042 SCREW, M12X1,75X40			2			
3	55701882 SCREW, M12X1,75X55			3			
4	50515477 SUPPORT	PCC635+ITCT		1			
5	50515484 SUPPORT	PCC635+TCT		1			

Legend	
TCT	SPECIFIC GEARBOX
TURBO	(ASPIRATED/TURBO):TURBO
PETROL	FUEL:PETROL
PCC635	GEARBOX DESIGN:GEARBOX 35 KGM



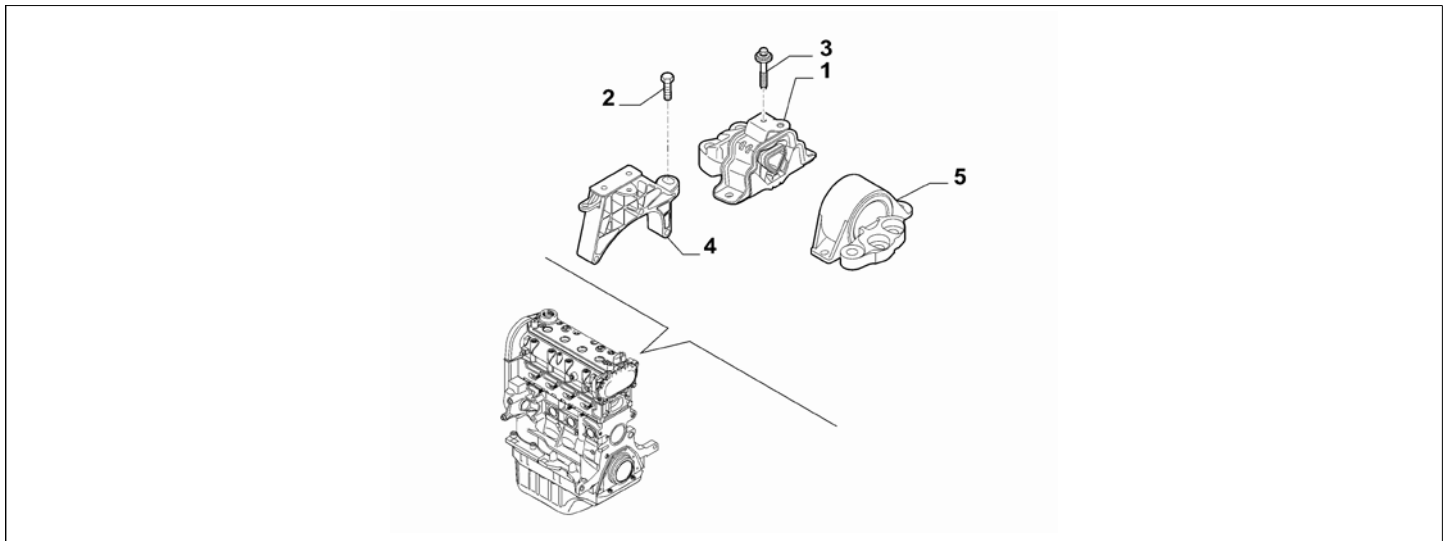
Catalogue	MITO 2008-2011	
Category	1.2 POWER PLANT MOUNTS	
Var.	03	PETROL + TURBO + PCC635
Rev.	00	



Part Num.	Description	Compatibility	Modif.	Qty	Notes	Col.	Reman.
1	50515485 SUPPORT	PCC635+TCT		1			
1	50515478 SUPPORT	PCC635+ITCT		1			
2	50515486 ROD	PCC635		1			
3	55701888 SCREW AND WASHERASSY, M12X1,75X80			01			
3	811900028 SCREW, M10X1,5X35			01			
3	55701891 SCREW, M12X1,75X29,5			01			
4	811900048 SCREW, M12X1,75X90			02			
5	811900442 NUT, M12X1,75			02			
6	55701888 SCREW AND WASHERASSY, M12X1,75X80			01			

Legend	
TCT	SPECIFIC GEARBOX
TURBO	(ASPIRATED/TURBO):TURBO
PETROL	FUEL:PETROL
PCC635	GEARBOX DESIGN:GEARBOX 35 KGM

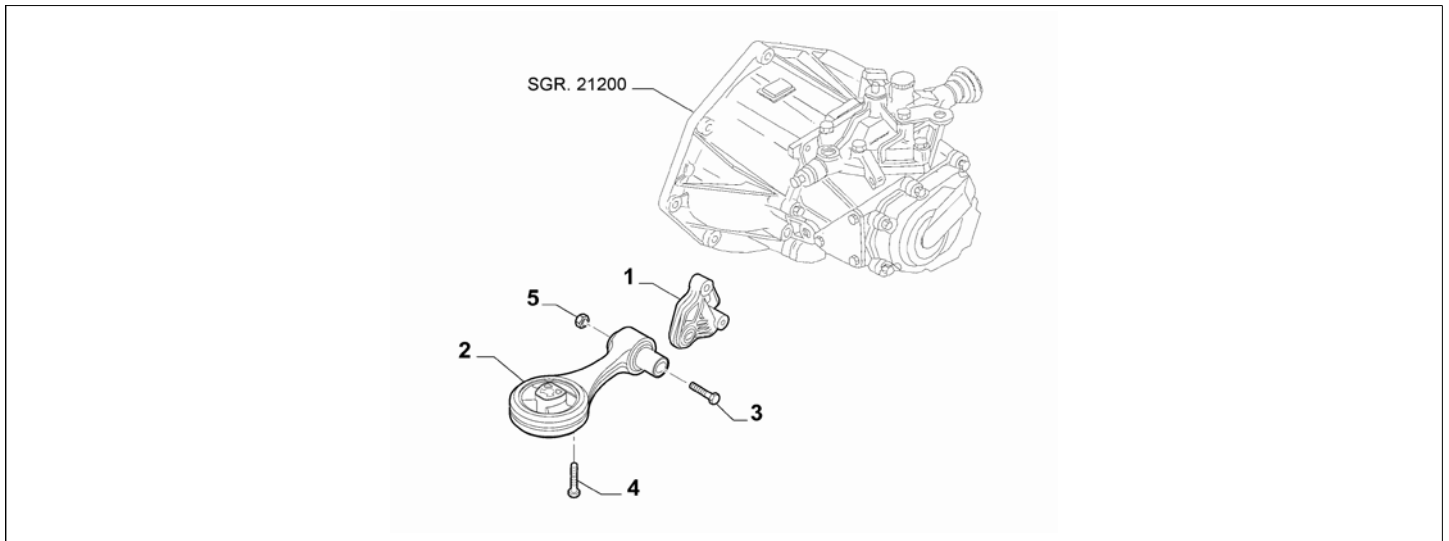
Catalogue	MITO 2008-2011	
Category	1.2 POWER PLANT MOUNTS	
Var.	01	DIESEL + PCC510
Rev.	00	



Part Num.	Description	Compatibility	Modif.	Qty	Notes	Col.	Reman.
1	55702833 PAD			1			
2	16289221 SCREW AND WASHER ASSY, M10X1,25X65			3			
3	55701885 SCREW			2			
4	55702834 SUPPORT			1			
5	55703651 PAD	1.3D		1			

Legend	
1.3D	HORSE POWER (MARKET):1.3
DIESEL	FUEL:DIESEL
PCC510	GEARBOX DESIGN:GEARBOX

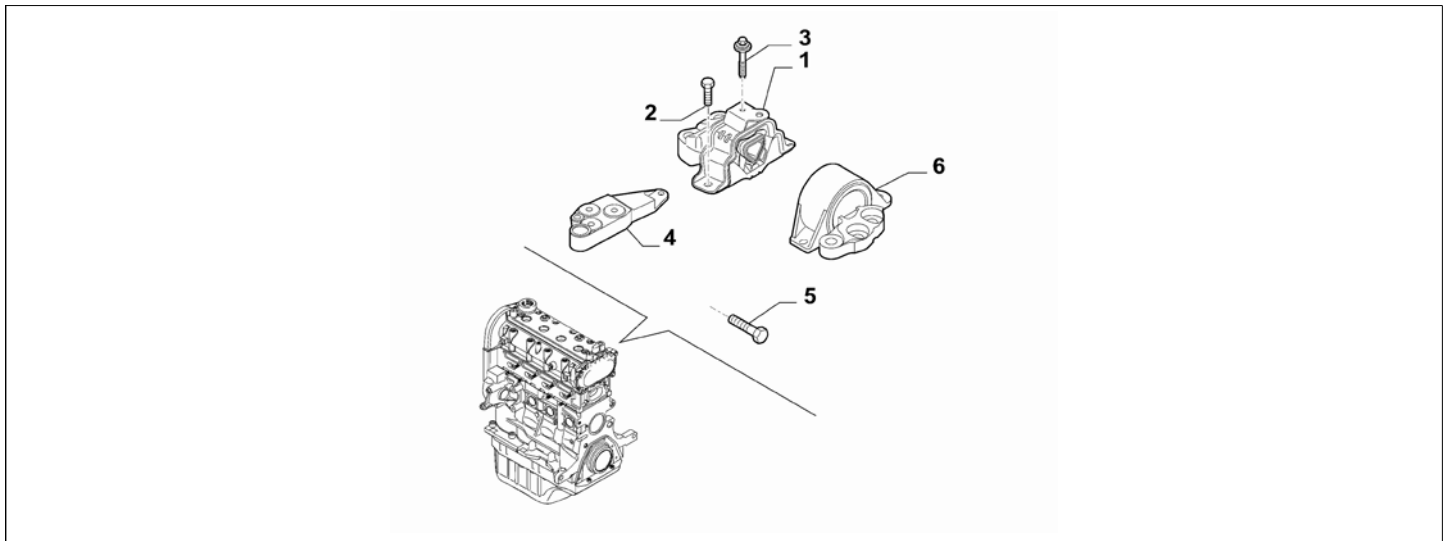
Catalogue	MITO 2008-2011	
Category	1.2 POWER PLANT MOUNTS	
Var.	02	DIESEL + PCC510
Rev.	00	



Part Num.	Description	Compatibility	Modif.	Qty	Notes	Col.	Reman.
1	55702835 SUPPORT			1			
2	55702836 ROD			1			
3	55701888 SCREW AND WASHER ASSY, M12X1,75X80			1			
3	46814640 SCREW, M12X1,25X35			2			
4	55701888 SCREW AND WASHER ASSY, M12X1,75X45			01			
5	811900442 NUT, M12X1,75			02			

Legend	
DIESEL	FUEL:DIESEL
PCC510	GEARBOX DESIGN:GEARBOX

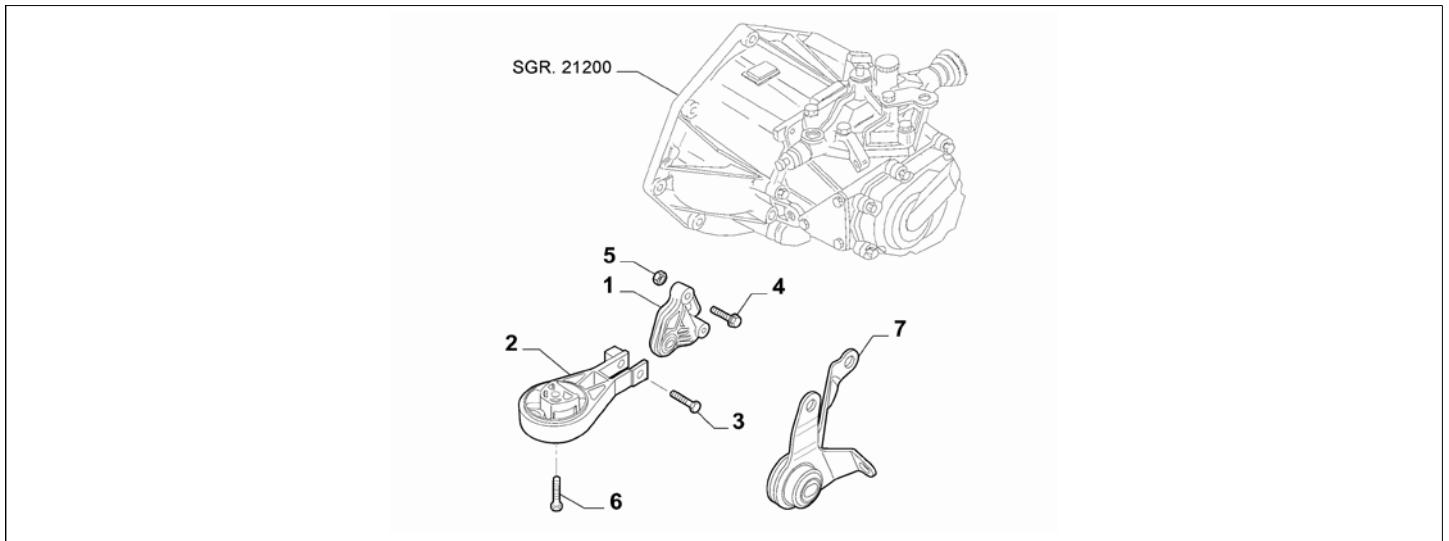
Catalogue	MITO 2008-2011	
Category	1.2 POWER PLANT MOUNTS	
Var.	01	DIESEL + PCC544
Rev.	00	



Part Num.	Description	Compatibility	Modif.	Qty	Notes	Col.	Reman.
1	55700435 PAD	1.3D		1			
1	55700655 PAD	1.6D		1			
2	811900043 SCREW			3			
3	55701884 SCREW AND WASHER ASSY			3			
4	55700438 SUPPORT			1			
5	51794076 SCREW, M10X1,25X60			03			
6	55703651 PAD	1.3D		1			
6	50508653 PAD	1.6D		1			

Legend	
1.3D	HORSE POWER (MARKET):1.3
1.6D	HORSE POWER (MARKET):1598
DIESEL	FUEL:DIESEL
PCC544	GEARBOX DESIGN:GEARBOX 20/28 KGM (M20/M28 3H)

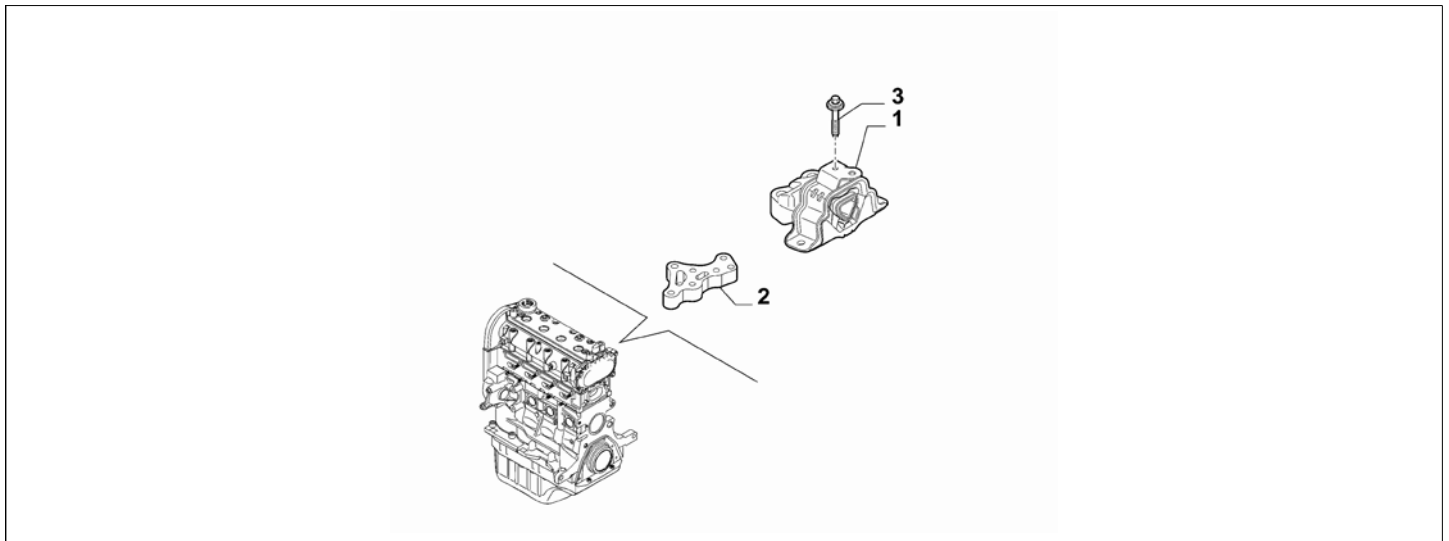
Catalogue	MITO 2008-2011	
Category	1.2 POWER PLANT MOUNTS	
Var.	02	DIESEL + PCC544
Rev.	00	



Part Num.	Description	Compatibility	Modif.	Qty	Notes	Col.	Reman.
1	55700657 SUPPORT	1.6D+PCC544		1			
2	55700442 ROD	1.3D+PCC544		1			
2	50510781 SUPPORT	1.6D+PCC544		1			
3	55701888 SCREW AND WASHER ASSY, M12X1,75X80			1			
3	55701891 SCREW, M12X1,75X29,5	1.3D+PCC544		2			
3	55701892 SCREW, M12X1,75X50	1.6D+PCC544		2			
4	55701892 SCREW			3			
5	811900442 NUT, M12X1,75			02			
6	55701888 SCREW AND WASHER ASSY, M12X1,75X45			01			
7	55700440 SUPPORT	1.3D+PCC544		1			

Legend	
1.3D	HORSE POWER (MARKET):1.3
1.6D	HORSE POWER (MARKET):1598
DIESEL	FUEL:DIESEL
PCC544	GEARBOX DESIGN:GEARBOX 20/28 KGM (M20/M28 3H)

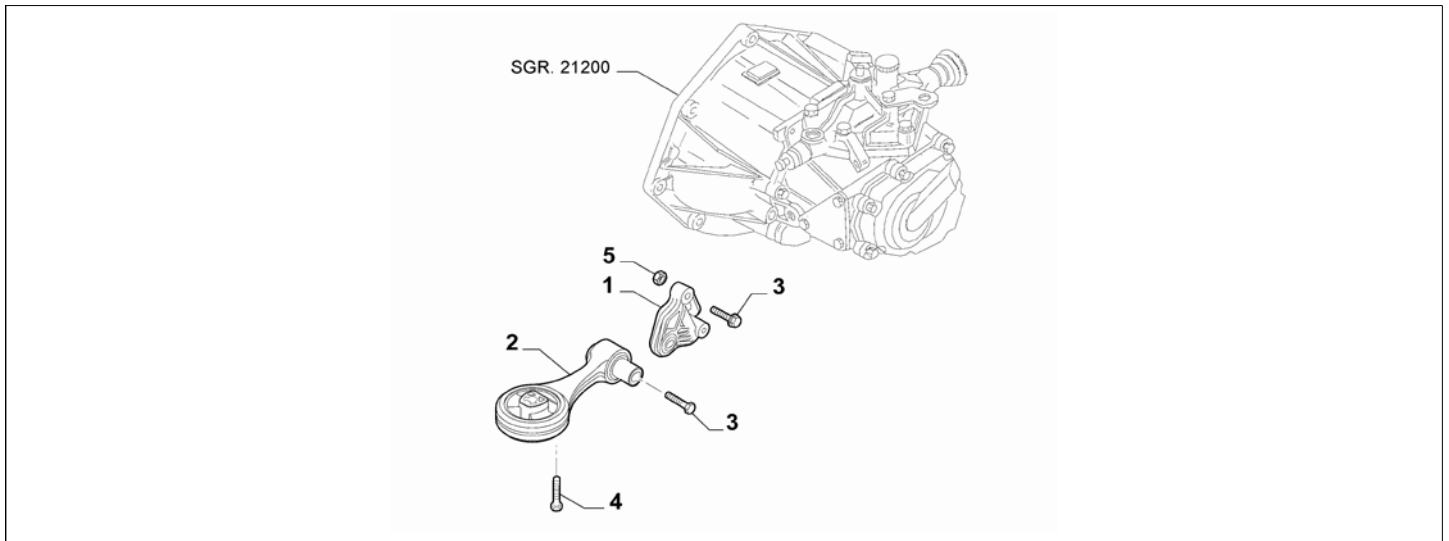
Catalogue	MITO 2008-2011	
Category	1.2 POWER PLANT MOUNTS	
Var.	01	DIESEL + PCC635
Rev.	00	



Part Num.	Description	Compatibility	Modif.	Qty	Notes	Col.	Reman.
1	50515483 PAD			1			
2	50515477 SUPPORT			1			
3	51794076 SCREW, M10X1,25X60			3			

Legend	
DIESEL	FUEL:DIESEL
PCC635	GEARBOX DESIGN:GEARBOX 35 KGM

Catalogue	MITO 2008-2011	
Category	1.2 POWER PLANT MOUNTS	
Var.	02	DIESEL + PCC635
Rev.	00	



Part Num.	Description	Compatibility	Modif.	Qty	Notes	Col.	Reman.
1	50515478 SUPPORT			1			
2	50515486 ROD			1			
3	55701888 SCREW AND WASHERASSY, M12X1,75X80			1			
3	55701892 SCREW, M12X1,75X50			2			
4	55701888 SCREW AND WASHERASSY, M12X1,75X45			1			
5	811900442 NUT, M12X1,75			2			

Legend	
DIESEL	FUEL:DIESEL
PCC635	GEARBOX DESIGN:GEARBOX 35 KGM