



**MITO**



# HUMAN TECHNOLOGY

An absolute value: putting the driver at the center of the design process in order to deliver unique emotions. Starting from the most compact car in the range, the new Alfa Romeo Mito.

# RIDE THE WAVE - YOUR WAY

Sporty, dynamic and full of energy: it's easy to be swept away by the Mito. 1.4 Turbo 170 HP engine: high performance. Automatic Alfa TCT transmissions: rapid and efficient. Alfa™ DNA selector: change the car's dynamic response, according to driving style and road conditions, to enhance the driving pleasure. Advanced Suspensions: active McPherson for the front and rear torsion-beam to ensure smooth and accurate handling, keeping full control. The new Mito: the fun has just begun.



# FORGED IN STYLE

It only takes a few bold features to give the Mito its impressive personality. A new Alfa Romeo trilobe, with a honeycomb grid, for an even more aggressive stance. New sport 18" alloy wheels with a wide channel for better road grip. New rear dam to enhance its sporty soul. The new Mito, a contemporary style ready to be shared.



# TRUE GRIT, TRUE COMFORT

Welcome aboard the Mito.

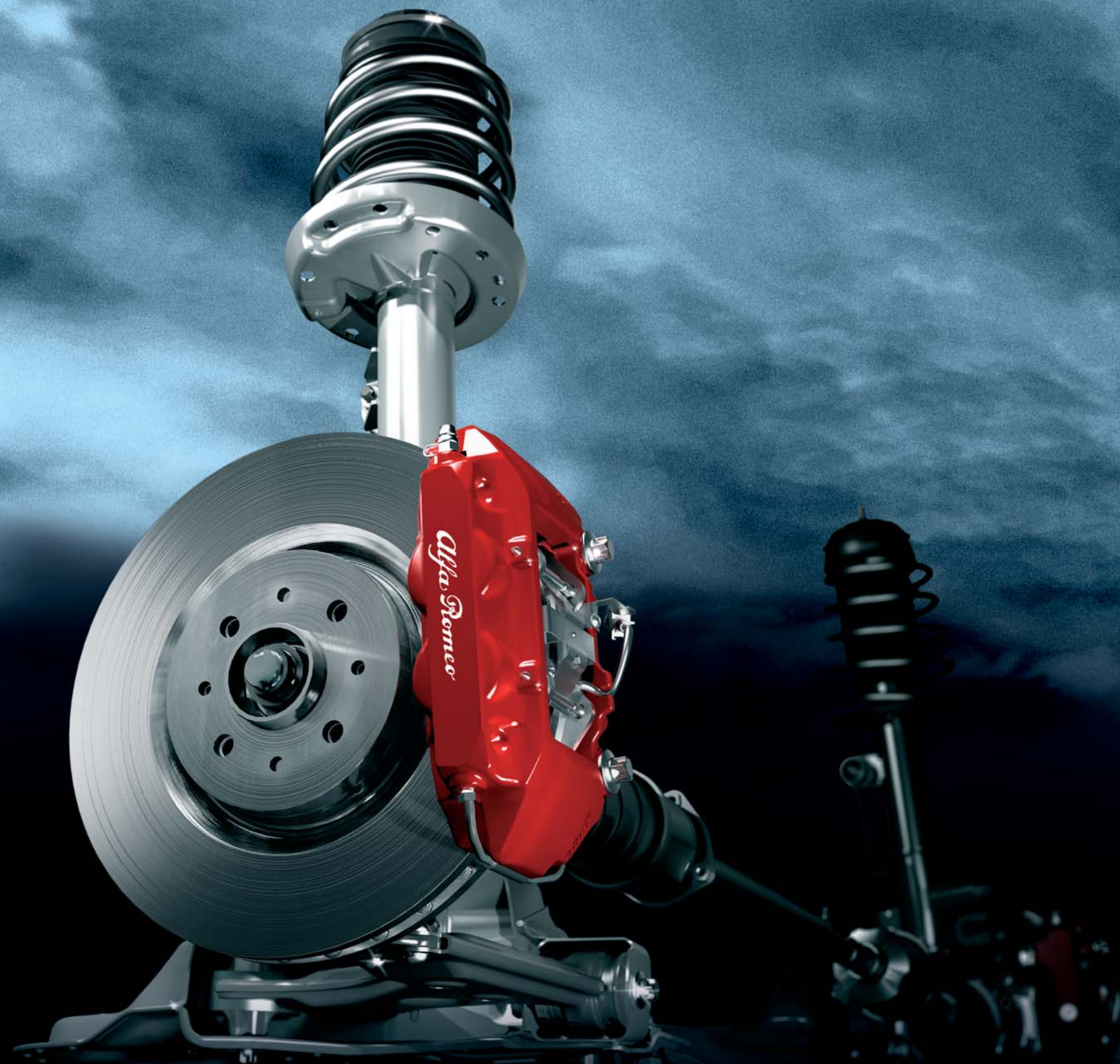
The instrument panel layout is totally driver centred, with simple one-touch controls for things like drive mode, air conditioning, and infotainment.

It's the new Mito's most striking interior feature, along with the seats, upholstered in top-quality fabrics that can be paired with eco-leather or Alcantara®.

# ONBOARD ENERGY EFFICIENCY

The Mito comes with a range of powerful, fuel-efficient engines. The new 1.3-litre, 95-hp JTDM diesel offers the perfect combination of reliability and economy. There are four petrol engines: an entry-level 1.4-litre 78-hp, a 105-hp TwinAir and 140- and 170-hp MultiAirs with Alfa TCT automatic transmission for the ultimate sporty ride. And the dual-fuel 1.4-litre, 120-hp GPL configuration puts the environment to the fore without compromising on Alfa Romeo character.

	<b>1.4 petrol 78 HP</b>	<b>0.9 Turbo TwinAir 105 HP</b>	<b>1.4 MultiAir TB 140 HP TCT</b>	<b>1.4 MultiAir TB 170 HP TCT</b>	<b>1.3 JTDM 95 HP</b>	<b>1.4 GPL Turbo 120 HP</b>
Displacement (cm <sup>3</sup> )	1368	875	1368	1368	1248	1368
Max power kW - rpm	115 (11.7) 3000	145 (14.8) 2000	250 (25.5) 2500	250 (25.5) 2500	200 (20.4) 1500	206 (21.0) 1750
Top speed (km/h)	165	184	209	219	180	198
Acceleration 0-100 km/h (s)	13	11.4	8.1	7.4	12.5	8.8
Fuel System	Petrol	Petrol	Petrol	Petrol	Diesel	LPG/Petrol
Fuel consumption (l/100 km) - combined cycle	5.6	4.2	5.4	5.4	3.4	8.1
CO <sub>2</sub> emissions (g/km)	130	99	124	124	89	131
Environmental classification	Euro 6	Euro 6	Euro 6	Euro 6	Euro 6	Euro 6
Start & Stop	Standard	Standard	Standard	Standard	Standard	-



## TOTAL CONTROL, TOTAL ENJOYMENT

It's time to hit the streets – because taking the wheel is the only way to experience just how much fun the new Mito is. It hugs the road like there's no tomorrow, thanks to McPherson struts at the front and torsion-beam suspension at the back, variable-response shock absorbers, and electronically controlled Alfa Active Suspension.



## STAY CONNECTED

The optional Uconnect™ multimedia system acts as your own onboard personal assistant, featuring Bluetooth, audio streaming, aux-in and USB ports, voice commands, an SMS reader and DAB digital radio. Combine these with Uconnect™ Live services, and the world's your oyster.

You can choose the optimum route, monitor your driving style and the car's operating status, even share your journey on social media.

The Mito keeps you in touch when you're on the road.







CONTENTS

- Alfa™ DNA (except 1.4 78 HP)
- ESC with Hill Holder (ABS, ASR, Brake Assistant, MSR and CBC) and Alfa Q2
- Alfa Dynamic Steering
- 16" steel rims
- 7 airbags
- Alfa Climate Control
- Kenwood radio (cd/mp3, usb and Aux-in)
- Black/Grey cloth seats
- Heated electrical wing mirrors with matching body colour caps
- Headlight and tail light frames and door handles with satin chrome-plated finish
- Start&Stop (except 1.4 TB GPL 120 HP)



Technosilk fabric  
**121** Black



LIKE MITO, PLUS:

- Uconnect™ 5" Radio (5" Touchscreen, Bluetooth, Text Reader and Audio Streaming, Voice Controls and MP3 Media Player with USB and AUX-in)
- Cruise Control
- 16" five-hole alloy rims
- Seats in anthracite fabric and Black faux leather
- Wing mirror caps with satin chrome-plated finish
- Multifunctional leather steering wheel with radio and phone controls
- Fog lights
- Chrome exhaust tip



Anthracite fabric and faux leather  
**370** Black



Leather  
**400** Black (opt)



Leather  
**436** Tobacco (opt)



Leather  
**432** Red (opt)



LIKE SUPER, PLUS:

- Carbon Look finish headlights
- Aluminium kick plate
- Aluminium sports pedals
- Shiny Anthracite finishes for door handles, wing mirror caps, headlight and tail light frames and grille
- Seats in fabric and Alcantara® with Red stitching
- Shiny Anthracite 17" five-hole alloy rims
- Sporty rear bumper with twin chrome tailpipe
- Brembo oversized brake callipers
- Alfa Adaptive Suspension
- Alfa TCT transmission with steering wheel gear shift controls
- Multifunctional sporty steering wheel with Red stitching
- Spoiler



Fabric and Alcantara® with stitching  
**323** Red (standard)



Alcantara®  
**533** Black



Leather  
**485** Black



Leather  
**498** Red



LIKE SUPER, PLUS:

- Carbon Look finish headlights
- Carbon look headlight frames
- Aluminium kick plate
- Aluminium sports pedals
- Sports DAM
- Shiny Anthracite finishes for door handles, wing mirror caps, headlight frames, tail light frames and grille
- Dark finish wing mirror caps
- Seats in fabric and Alcantara® with Red stitching
- Shiny Anthracite 17" five-hole alloy rims
- Twin chrome tailpipe
- Brembo oversize brake callipers
- Sports suspension
- Alfa TCT automatic transmission



Fabric and Alcantara® with stitching  
**323** Red (standard)



Alcantara®  
**533** Black



Leather  
**485** Black



Leather  
**498** Red

**MUSIC**  
(available on MITO)

- Uconnect™ 5" Radio (5" Touchscreen, Bluetooth, Hands-free System, Text Reader and Audio Streaming, Voice Controls and Media Player with USB and AUX-in)
- Leather steering wheel with radio/phone controls, leather gear lever knob and gaiter, leather handbrake grip



**SPORT**  
(available on MITO)

- Racing instrument panel with white graphics
- Fog lights
- Red brake callipers
- Tinted rear windows



**COMFORT**  
(available on MITO and SUPER)

- Front armrest with storage compartment
- Front seats with lumbar adjustment
- 12V boot power socket
- Rear parking sensors



**VISIBILITY**  
(available on MITO, SUPER and VELOCE)

- Dusk sensor
- Electrochromic rear-view mirror
- Rain sensor



**LUSO**  
(available on SUPER and VELOCE)

- Automatic dual zone climate control
- Heated front seats with lumbar adjustment
- Split folding rear seat 60/40 with third headrest
- Front armrest with storage compartment
- Rear parking sensors



406 - 16" steel rims - 195/55 R16



74B - Silver Sport 16" alloy rims - 195/55 R16



5EQ - Silver Style 16" alloy rims - 195/55 R16



74A - Diamond Style 17" alloy rims - 215/45 R17



431 - Silver Sport 17" alloy rims - 215/45 R17



5FB - Miron Sport 17" alloy rims - 215/45 R17



4AY - Diamond Style 18" alloy rims - 215/40 R18



73Z - Miron Sport 18" alloy rims - 215/40 R18

Standard ● Optional ○ Unavailable - Tied to Pack P

RIMS	MITO	SUPER	VELOCE
406 - 16" steel rims - 195/55 R16	●	-	-
74B - Silver Sport 16" alloy rims - 195/55 R16	○	●	-
5EQ - Silver Style 16" alloy rims - 195/55 R16	○	○ (not with 1.4 140 HP TCT)	-
74A - Diamond Style 17" alloy rims - 215/45 R17	○	○	○
431 - Silver Sport 17" alloy rims - 215/45 R17	○	○	○
5FB - Miron Sport 17" alloy rims - 215/45 R17	-	P	●
4AY - Diamond Style 18" alloy rims - 215/40 R18	-	○	○
73Z - Miron Sport 18" alloy rims - 215/40 R18	-	P	○

SPECIFICATIONS	1.4 petrol 78 HP	0.9 Turbo TwinAir 105 HP
No. of cylinders, layout	4 straight	2 straight
Bore x stroke (mm)	72x84	80,5x86
Displacement (cm <sup>3</sup> )	1368	875
No. of valves	8V	8V
Compression ratio	11.1:1	10.0:1
Max. power kW (HP - CE) at rpm	57.3 (78) 6000	77 (105) 5500
Max. torque Nm (kgm - CE) at rpm	115 (11.7) 3000	145 (14.8) 2000
Timing system (drive)	belt	chain
Timing system (drive)	aspirated	timed sequential Multipoint electronic injection with detonation control, supercharged with an exhaust-gas turbocharger
<b>ELECTRICAL SYSTEM</b>		
Battery: Capacity (Ah)/Generator (A)	63/450	63/450
<b>TRANSMISSION</b>		
Drive	front	front
Gearbox	5+RM	6+RM
<b>TYRES</b>		
Standard	195/55 R16	195/55 R16
<b>STEERING</b>		
Steering box	rack with column power steering	
Kerb-to-kerb turning circle (m)	11.25	11.25
<b>SUSPENSION</b>		
Front	Mc Pherson	Mc Pherson
Rear	Torsion beam	Torsion beam
<b>BRAKE DISCS</b>		
Front (mm)	257x22	257x22
Rear (mm)	251x10	251x10
<b>CAPACITIES - WEIGHTS</b>		
Fuel tank (litres)	45	45
DIN kerb weight (kg)	1070	1130
Max. towable weight (kg)	500	500
<b>PERFORMANCE</b>		
Max. speed (km/h)	165	184
Acceleration (1 person + 30 kg) 0-100 km/h (s)	13.0	11.4
<b>CONSUMPTION - EMISSIONS IN ACCORDANCE WITH DIRECTIVE 1999/100/EC</b>		
Urban cycle fuel consumption (l/100 km)	7.3	5
Extra-urban cycle	4.6	3.8
Combined cycle	5.6	4.2
CO <sub>2</sub> emissions (g/km)	130	99
Emission standard	Euro 6	Euro 6

1.4 MultiAir Turbobenzina 140 HP TCT	1.4 MultiAir Turbobenzina 170 HP TCT	1.3 JTDm 95 HP	1.4 GPL Turbo 120 HP
4 in linea	4 in linea	4 in linea	4 in linea
72x84	72x84	69.6x82	72x84
1368	1368	1248	1368
16V	16V	16V	16V
9.8:1	9.8:1	16.8:1	9.8:1
102 (140) 5000	125 (170) 5500	70 (95) a 3500	88 (120) 5000
250 (25,5) 2500	250 (25,5) 2500	200 (20.4) a 1500	206 (21.0) 1750
a cinghia	a cinghia	a catena	a cinghia
supercharged with an exhaust gas turbocharger, with engine speed managed through the variable execution of the intake valves	supercharged with an exhaust gas turbocharger, with engine speed managed through the variable execution of the intake valves	Electronically-controlled Multijet "common rail" direct injection, supercharged with a gas turbocharger with exhaust and intercooler	supercharged with an exhaust gas turbocharger
63/450	63/450	63/450	50/360
front	front	front	front
6+RM	6+RM	5+RM	5+RM
195/55 R16	215/45 R17	195/55 R16	195/55 R16
11.25	11.25	11.25	11.25
Mc Pherson	Mc Pherson	Mc Pherson	Mc Pherson
Torsion beam	Torsion beam	Torsion beam	Torsion beam
305x28	305x28	281x26	281x26
251x10	251x10	251x10	251x10
45	45	45	45
1145	1145	1150	1145
500	500	1000	500
209	219	180	198
8.1	7.3	12.5	8.8
7	7	4.3	10.6 - 8.2*
4.4	4.4	2.9	6.6 - 5.1*
5.4	5.4	3.4	8.1 - 6.2*
124	124	89	131 - 145*
Euro 6	Euro 6	Euro 6	Euro 6

\* In petrol mode

EXTERIOR	MITO	SUPER	VELOCE
Remote central locking	●	●	●
External aspheric electric rear view mirrors with demisting	●	●	●
Tinted glass	●	●	●
Chrome line	-	P	-
Rear sports bumper with extractor	-	P	●
External electric rear view mirrors, heated and electrically-closing	○	○	○
Chrome-plated silencer	● <sup>1</sup>	●	●
Twin chrome tailpipe	-	● <sup>2</sup>	●
Sky window	○	○	○
Rear spoiler	○ <sup>3</sup>	○ <sup>3</sup>	●
Solid paint finish	●	●	●
Non-standard pastel paint	○	○	○
Metallic paint	○	○	○
Pearlescent paint	●	●	-
Matt paintwork	-	P	○
INTERIOR			
Anti-whiplash front headrest	●	●	●
Alfa climate control	●	●	●
Height-adjustable driver's seat	●	●	●
On board instrumentation with configurable display + Trip Computer	●	●	●
Storage compartment	●	●	●
Steering wheel with height/axial adjustment	●	●	●
Chrome-plated kick plate with Alfa Romeo lettering	-	○	○
Front armrest with storage compartment	○	○	○
Alfa dual zone automatic climate control	-	○	○
Cruise Control	○	●	●
Smokers' kit	○	○	○
Sports pedals	○	○	●
Front seat lumbar adjustment	○	○ <sup>4</sup>	○ <sup>4</sup>
Black Street Dashboard	●	●	-
Competition Dashboard	-	P	●
Folding rear seat with 60/40 split and 3rd seat	○	○	○
Seats in Black Technosilk fabric	●	-	-
Seats in anthracite fabric and Black faux leather	-	●	-
Seats in fabric and Alcantara with Red stitching	-	P	●
Seats in Frau® leather (3 colour options)	-	○	-
Seats in Frau® leather (2 colour options, Black/Red)	-	○	○
Sabelt sports seats with carbon backrest	-	P	○
Velvet mats	○	○	○
Matrix dashboard	●	●	●

INTERIORS	MITO	SUPER	VELOCE
Sports on-board instrumentation with white lighting	P	P	●
Leather steering wheel	○	●	-
Sports leather cut steering wheel	-	P	●
Radio and mobile phone controls on the steering wheel	○	●	●
SAFETY/MECHANICS			
Alfa DNA	● (not with 1.4 78 HP)	● (not with 1.4 78 HP)	●
Alfa Dynamic Steering	●	●	●
ESC (Hill Holder, ABS, ASR, Brake Assistant, MSR and CBC) with Alfa Q2	●	●	●
Start & Stop	● (not with GPL)	● (not with GPL)	●
Side airbags	●	●	●
Front airbags	●	●	●
Window airbags	●	●	●
Driver knee airbag	●	●	●
Seat Belt Reminder (SBR)	●	●	●
Gear Shift Indicator (GSI)	●	●	●
Rear LED lights	●	●	●
Electronic front seat belt pretensioners and load limiters	●	●	●
Electric light setting adjustment	●	●	●
Electric power steering	●	●	●
DPF - Particulate filter (only with diesel engines)	●	●	-
Alfa TCT transmission	-	● (only with 1.4 140 HP TCT)	● only with 1.4 140 HP
Alfa TCT transmission controls on the steering wheel	-	○ (only with 1.4 140 HP TCT)	● only with 1.4 140 HP
Fog lights	○	●	●
Red brake callipers	P	●	●
Brembo oversize brake callipers	-	● (solo su 1.4 140 CV TCT)	●
Space-saver spare wheel	○ (not with GPL)	○ (not with GPL)	○
Rear parking sensors	○	○	○
Alfa Adaptive Suspension	-	● <sup>6</sup>	●
Alfa Active Suspension	-	-	○
TPMS (Tyre pressure sensor)	●	●	●
INFOTAINMENT			
Uconnect™ 5" Radio (5" colour Touchscreen, Bluetooth® provision with voice command and MP3 Media Player with USB and AUX-in port) with 8 loudspeakers <sup>7</sup>	○	●	●
Uconnect™ 5" NAV (includes map navigation, 5" colour Touchscreen, Bluetooth® provision with voice command and MP3 Media Player with USB and AUX port) with 8 loudspeakers <sup>7</sup>	○	○	○
Uconnect™ Live Services and DAB Digital Radio	○	○	○
Kenwood radio (CD/MP3, USB and Aux-in)	●	-	-
Bose® Hi-Fi Sound System with 8 loudspeakers and subwoofer	○ (not with GPL)	○ (not with GPL)	○

<sup>1</sup> As standard with TwinAir, optional with all other engine types.<sup>2</sup> As standard with 140 HP TCT, not available with other engine types.<sup>3</sup> As standard with 1.3 95 HP and 0.9 TwinAir.<sup>4</sup> Not available with Sabelt sports seats.<sup>5</sup> Only with 1.4 MultiAir 140 HP TCT and 170 HP TCT.<sup>6</sup> As standard with 140 HP TCT.<sup>7</sup> Also available with DAB Digital Radio.





Rear spoiler



Illuminated kick plate



16" alloy wheels



17" alloy wheels



18" alloy wheels

EXTERIOR	MITO	SUPER	VELOCE
Side skirts	○	○	-
Front spoiler	○	○	-
Rear dam	○	○	-
Rear spoiler <sup>1</sup>	○	○	-
Car cover for interiors	○	○	○
Silencer	○	○	○
16" alloy wheels	○	○	○
17" alloy wheels	○	○	○
18" alloy wheels	○	○	○
Satinized Chrome mirror caps	○	○	○
Titanium Grey mirror caps	○	○	○
Polished Chrome mirror caps	○	○	○
Mudguards	○	○	○

Optional ○ Unavailable -

INTERIOR	MITO	SUPER	VELOCE
Boot compartment protection	○	○	○
Velvet mats	○	○	○
Left-hand drive sports pedal kit (only with manual transmission)	○	○	○
Storage net	○	○	○
<b>SAFETY/MECHANICS</b>			
Volumetric alarm	○	○	○
Safety bag with triangle, lights, vest and torch	○	○	○
Extractable tow hook	○	○	○
Anti-theft bolt kit	○	○	○
Bulb kit	○	○	○
Parking sensor kit	○	○	○
ISOFIX child seat	○	○	○
Roof bars	○	○	○
Ski rack	○	○	○
Bike rack	○	○	○
Roof box	○	○	○
<b>AUDIO/PHONE/EXTRAS</b>			
Exterior Car Care Kit	○	○	○

Optional ○ Unavailable -

## KEEP YOU ALFA ROMEO IN TOP CONDITION WITH MOPAR® VEHICLE PROTECTION



Mopar® Vehicle Protection offer a series of service contracts that are designed to give all our customers the pleasure of driving their vehicle without any hitch's and concerns. Our product portfolio consists of a wide and flexible range of extended warranty and maintenance plans endorsed by Alfa Romeo. Each with a series of different coverage tiers, in terms of durability and mileage, built to accommodate your driving needs. Only

with Mopar® Vehicle Protection you are ensured that all service operations are performed by highly qualified and specialized technicians in authorized Alfa Romeo repair facilities, using original parts, all over Europe. Choose the Service Contract that suits your driving habits best.

### MAXIMUM CARE: 100% PEACE OF MIND, WHEREVER YOUR JOURNEY TAKES YOU.

Assured confidence, by extending the vehicle warranty, beyond the factory warranty, for up to a maximum of +3 years. The protection plan built to cover all mechanical and electrical components. Designed to supplement the standard manufacturer warranty and ensure that you get the best value for money.

### EASY CARE: FIX THE PRICE OF YOUR REGULAR SERVICING.

A service plan designed to be a simple way to budget for your vehicle's servicing requirements, ensuring your vehicle never misses a vital service interval and guarantee you get the maximum life out of your vehicle.

MAXIMUM CARE OFFERS PEACE OF MIND AND SAFETY WITH VARIOUS SOLUTIONS DEPENDING ON VEHICLE AGE AND MILEAGE			
YEARS IN ADDITION TO THE 2-YEAR CONTRACTUAL WARRANTY	+1 YEAR	+2 YEARS	+3 YEARS
OPTION 1	45.000 Km	60.000 Km	75.000 Km
OPTION 2	90.000 Km	120.000 Km	150.000 Km
OPTION 3	120.000 Km	160.000 Km	200.000 Km

SOLUTIONS DEPENDING ON VEHICLE AGE AND MILEAGE				
AGE OF VEHICLE	2 YEARS	3 YEARS	4 YEARS	5 YEARS
OPTION 1	30.000 Km	45.000 Km	60.000 Km	75.000 Km
OPTION 2	60.000 Km	90.000 Km	120.000 Km	150.000 Km
OPTION 3	80.000 Km	120.000 Km	160.000 Km	200.000 Km



# SERVICES

## APP

Download THE ALFA ROMEO INFOMOBILE, Alfa Romeo's original app dedicated to motorists. You can have the services and help you need with you at all times.



**Alfa Romeo InfoMobile**



## FREEPHONE NUMBER\*

Call ALFA INFOMORE for information on products and services, and to request Roadside Assistance (24h/24, 7/7).

**Alfa InfoMore**  
00 800 2532 0000

\*Remember to check whether your call will be free from abroad by contacting your network operator.

## WEB

**myAlfaRomeo**

Take care of your Alfa Romeo with a click

## ALFA ROMEO INFOSOCIAL



Follow #AlfaCare for info on the world of Alfa Romeo and send a public tweet or a direct message to @AlfaRomeoCareIt to get direct support

## E-COMMERCE



Visit the on-line shop of Alfa Romeo on [www.store.alfaromeo.com](http://www.store.alfaromeo.com)

## SHARE ON

**SocialNetWall**

[socialnetwall.alfaromeo.com](http://socialnetwall.alfaromeo.com)



## ALFA ROMEO CUSTOMER SERVICE

You can call Alfa Romeo free of charge on 00800 2532 0000\* from anywhere in Europe. We provide assistance 24 hours a day, 365 days a year for: • Towing or roadside assistance in the event of accident or breakdown • Information about our service network • Free passenger return (or continuation of journey) service • Payment of hotel expenses • Repaired car pick-up • Cash advance • Dispatch of spare parts.

You can also contact Alfa Romeo Customer Service for information about our models, services and Dealer Network, or to book a test drive. Whatever you need, we're here for you.

\*Don't forget to check the cost with your operator when calling from abroad or from a mobile network.

## FINANCE PACKAGES AND INSURANCE SERVICES

When you buy your new car, we think you should have a choice of payment options. With FCA BANK you can choose the payment method that best suits your needs from a wide range of attractive solutions.

**Instalments:** this is the finance solution that allows you to spread the payment of all or part of your new FIAT over a period ranging from 12 to 72 months, or a part of the purchase of a used car for a period ranging from 12 to 60 months.

**Freely Alfa:** is the sales programme that allows you to have your new Fiat, paying only its actual use. At the end of the plan, you are free to choose between three options: you can replace your vehicle and buy a new one, you can keep your vehicle and pay the last remaining instalment or you can return it after only paying for what you actually used.

**Be-Lease:** is the first and only lease with the third party liability policy included in the fee, particularly advantageous also for private users.



**Leasing:** this is the alternative to financing, a solution that offers you the option of using your car without tying up your capital. You have a choice of contract term (from 24 to 60 months) and down payment, plus a flexible final redemption value. It is also ideal for professionals, sales agents and entrepreneurs owing to the economic and fiscal advantages that characterise this financial product.

**FCA BANK** Along with the financing, it offers a full range of services that protect you from all unforeseen events: Indelible marking on the key components of the vehicle as the maximum deterrent against theft, Fire & Theft policies, Collision (covering damages in case of impacts with other identified vehicles), Kasko (covering damage in case of collision with other identified vehicles, overturning, impact, going off the road) and CPI (e.g.: ensuring payment of a part of the financing in case of sudden and unpredictable events). The Mopar Easy Care and Maximum Care services can also be financed.

For more information: Contact Centre 199.818.203 (Monday to Friday, 9 a.m. to 5 p.m.) [www.fcabank.it](http://www.fcabank.it) - Find out more from any participating Fiat Group Dealership.



ADAPT  
TO YOUR NATURE



## PASTEL



Alfa Red

## EXTRASERIE PASTEL



Alfa White



Alfa Black

## METALLIC



Tornado Blue



Techno Grey



Etna Black

## MATT



Magnesio Grey

## MICA



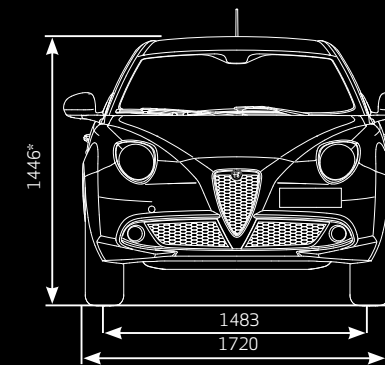
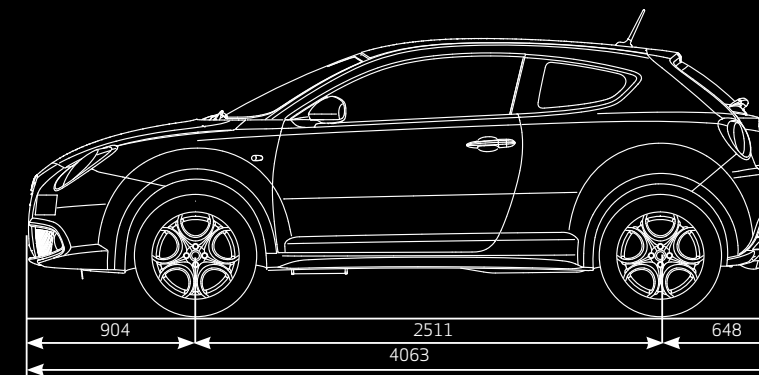
Ardesia Grey

TRIM LEVELS	MITO		SUPER			VELOCE			
DASHBOARD	Embossed Black	Embossed Black	Embossed Black	Embossed Black	Embossed Black	Black Competizione Carbon Look	Black Competizione Carbon Look	Black Competizione Carbon Look	Black Competizione Carbon Look
SEAT FABRIC	Technosilk fabric Black	Anthracite fabric and Black faux leather	Leather	Red Leather	Black Leather	Fabric and Alcantara with Red stitching	Sabelt with backrest in carbon	Black Leather	Red Leather
Code	121	370			400	532	533	485	498
<b>PASTEL</b>									
601 Alfa Black (opt 5CG)	●	●	●	●	●	●	●	●	●
<b>NON-STANDARD PASTEL</b>									
289 Alfa Red (opt. 5CF)	●	●	●	●	●	●	●	●	●
268 Alfa White (opt 5JQ)	●	●	●	●	●	●	●	●	●
<b>METALLIC</b>									
612 Techno Grey (opt 5DN)	●	●	●	●	●	●	●	●	●
805 Etna Black (opt 5DR)	●	●	●	●	●	●	●	●	●
468 Tornado Blue (opt 5DS)	●	●	●	-	●	●	●	●	●
<b>MATT</b>									
529 Magnesio Grey (opt. 4SA)	-	P	P	P	P	●	●	●	●
<b>PEARLESCENT</b>									
675 Ardesia Grey (opt 58B)	●	●	●	●	●	-	-	-	-

Standard ● Optional ○ Not available - **Vincolato al Pack P**

## DIMENSIONS

SPECIFICATIONS	
Number of seats	4/5
Number of doors	3
Length/Width (mm)	4063/1720
Height (mm)	1446
Wheelbase (mm)	2511
Front/rear wheel track (mm)	1483/1475
Boot capacity (dm <sup>3</sup> )	270



\*with 16" tyres 195/55





*La meccanica delle emozioni*